

**PANIDIS**   
 MAKEDONIKI • ALUMINIUM SYSTEM COMPONENTS

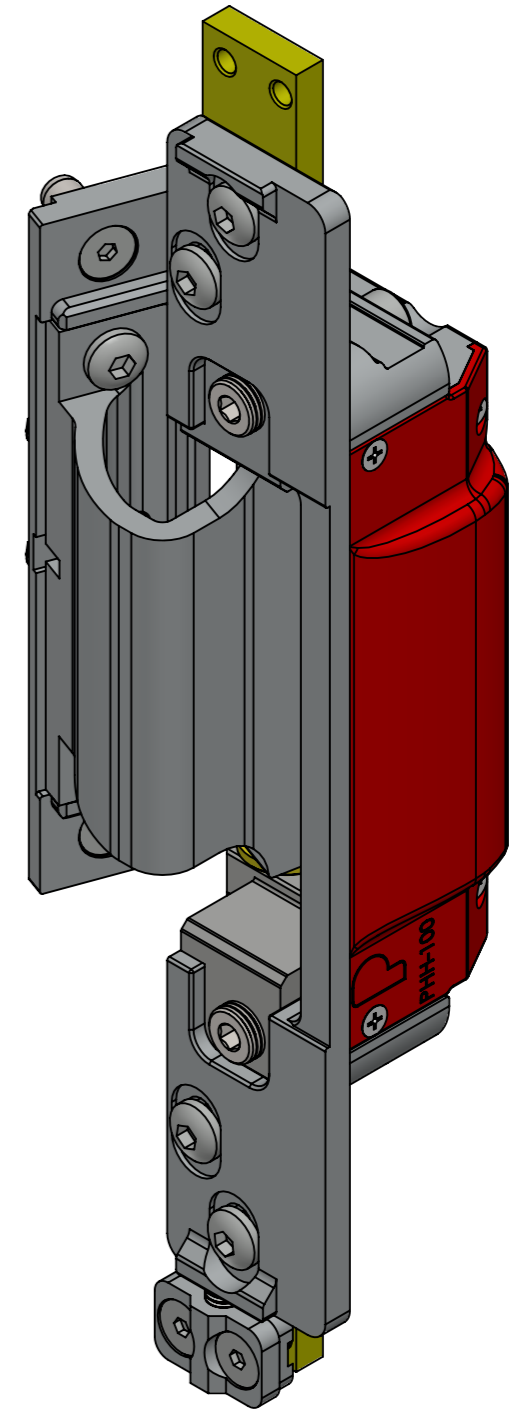
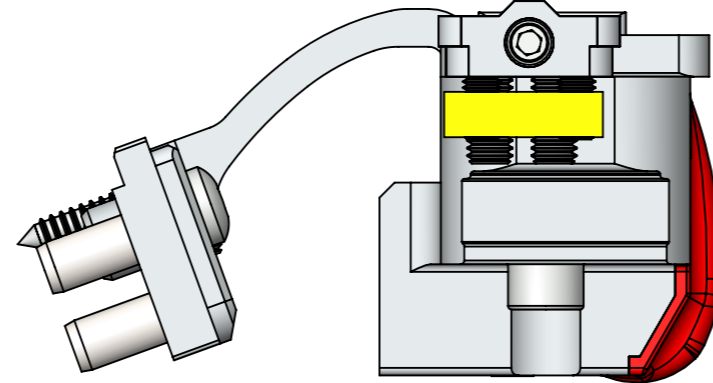
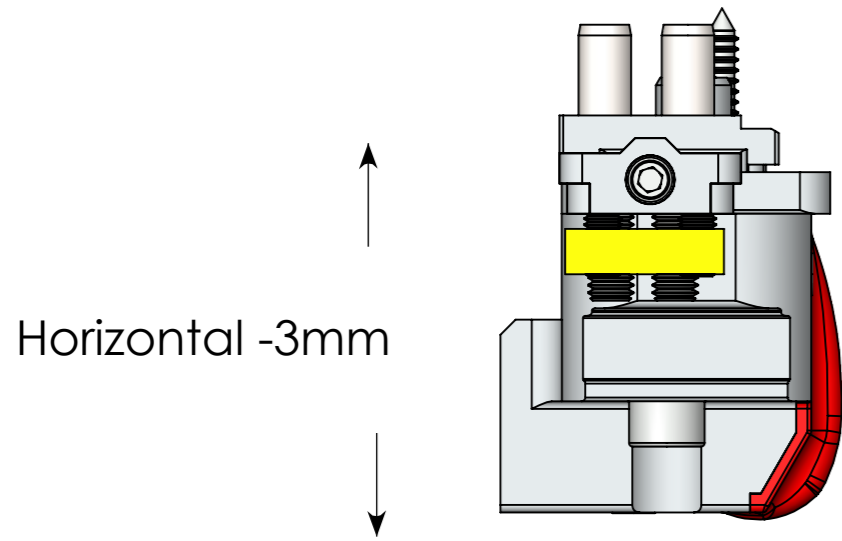
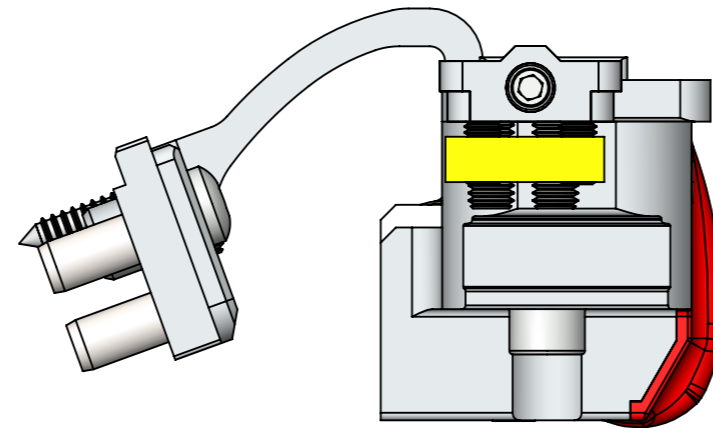
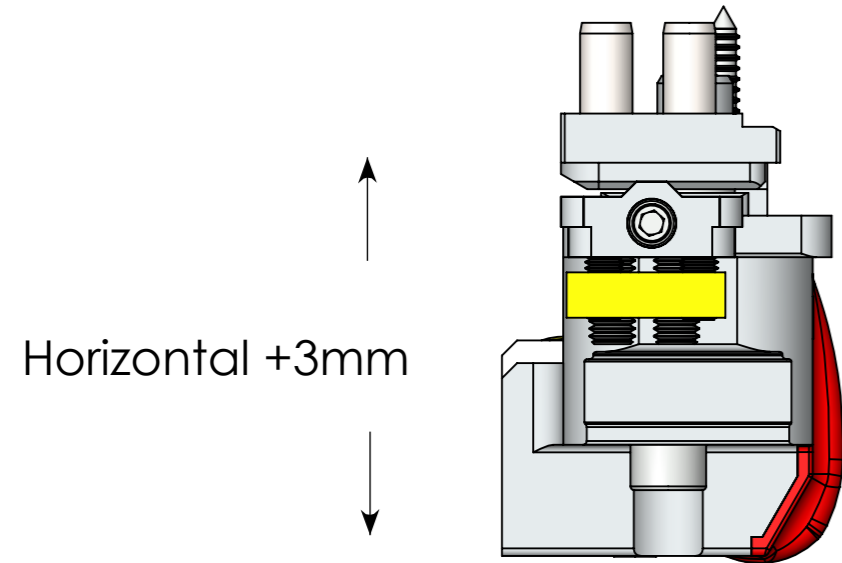
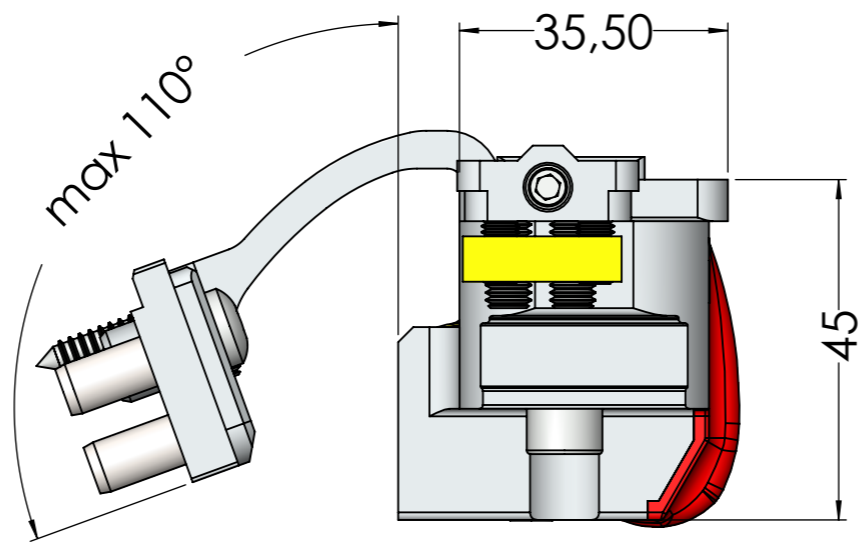
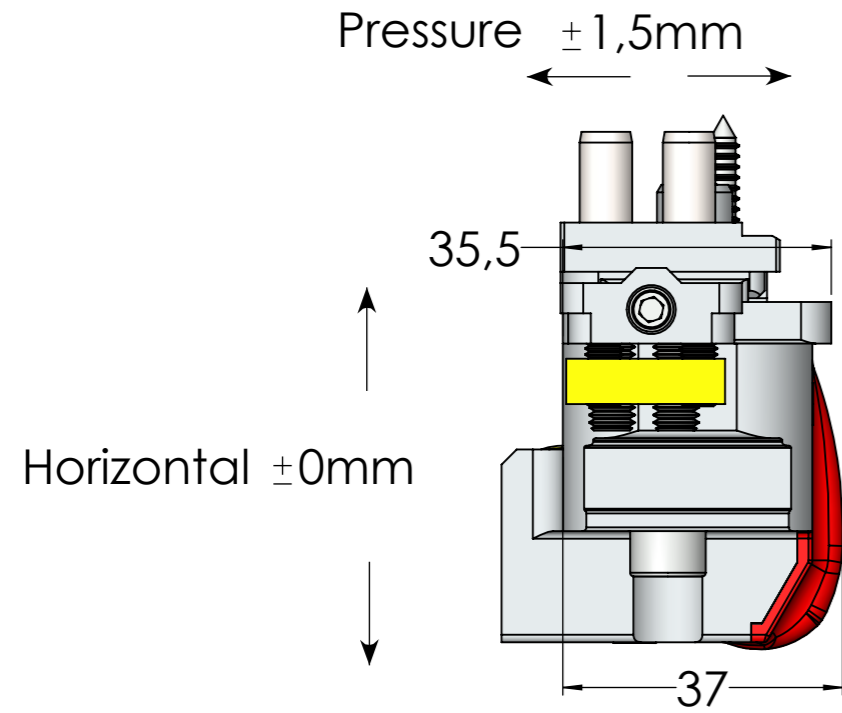
PANIDIS S.A.  
 PRODUCTION OF ALUMINIUM RAILING SYSTEMS & ACCESSORIES  
 TEL: +30 2310 780352-784 519, FAX: +30 2310 783764  
 www.panidis-sa.com e-mail: info@panidis-sa.com

DWG NO. **PHH-100**

MATERIAL:	WEIGHT:
REVISION:	DATE: 14/9/2022
UNLESS OTHERWISE SPECIFIED: DIMENSIONS ARE IN MILLIMETERS	DO NOT SCALE DRAWING
TOLERANCES:	LINEAR: ANGULAR:
	SHEET 1 OF 2
	SCALE: 1:1

A3

PANIDIS-SA - CONCEALED HINGE - PHH-100 [POSITIONS]



**PANIDIS**   
 MAKEDONIKI • ALUMINIUM SYSTEM COMPONENTS

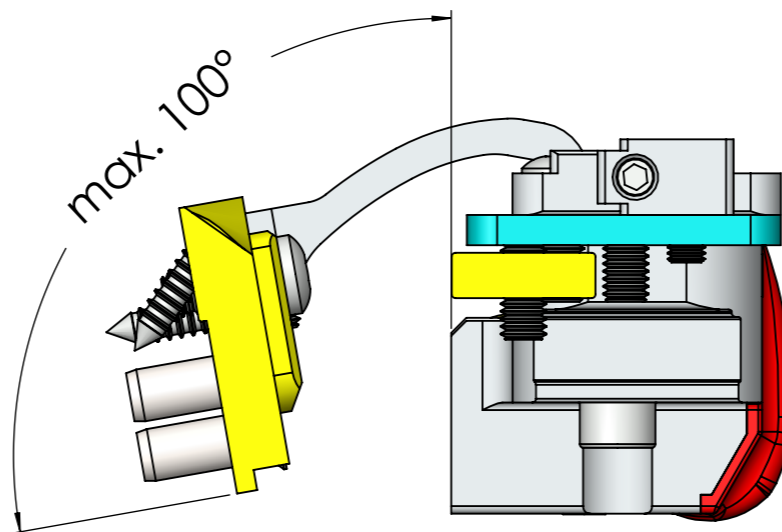
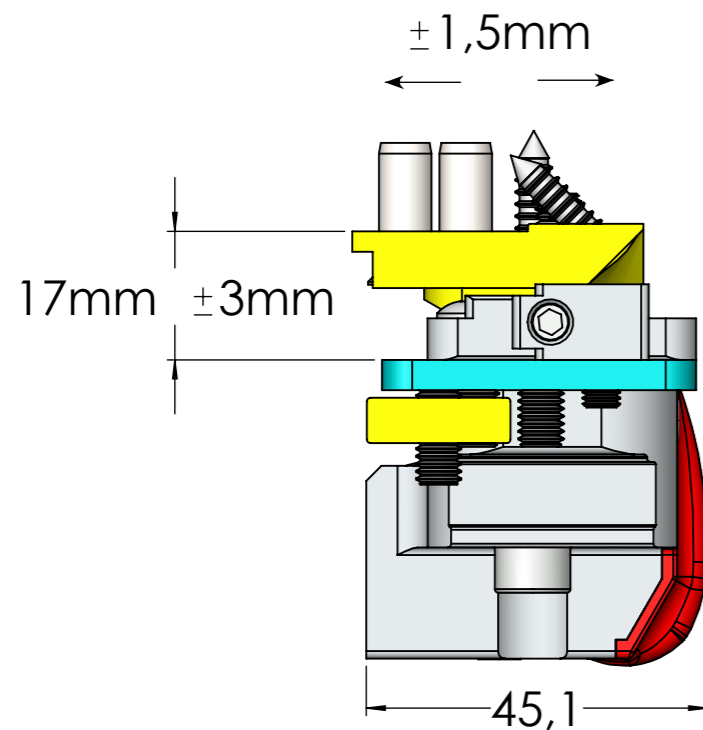
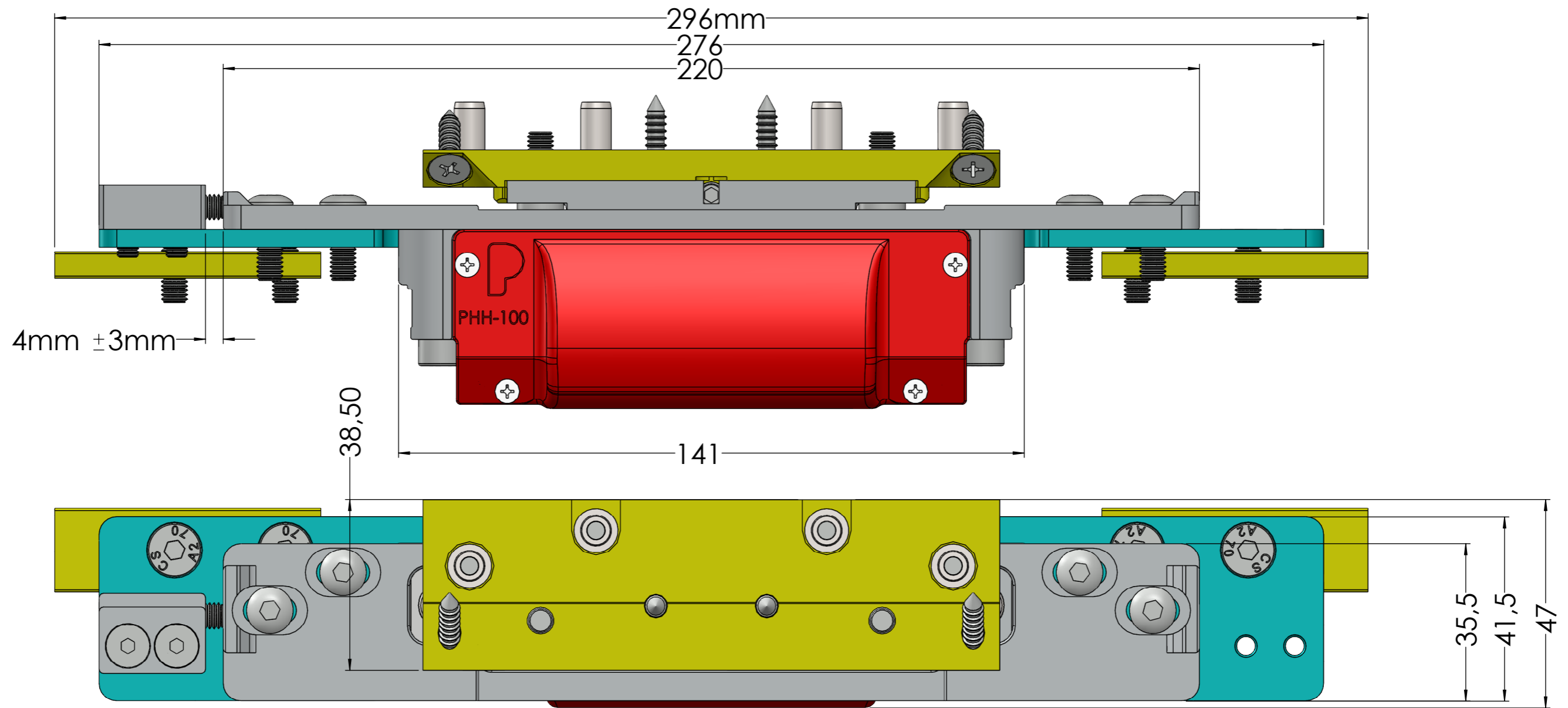
PANIDIS S.A.  
 PRODUCTION OF ALUMINIUM RAILING SYSTEMS & ACCESSORIES  
 TEL: +30 2310 780352-784 519, FAX: +30 2310 783764  
 www.panidis-sa.com e-mail: info@panidis-sa.com

DWG NO. **PHH-100**

MATERIAL:	WEIGHT:
REVISION:	DATE: 14/9/2022
UNLESS OTHERWISE SPECIFIED: DIMENSIONS ARE IN MILLIMETERS	DO NOT SCALE DRAWING
TOLERANCES: LINEAR: ANGULAR:	SHEET 2 OF 2 SCALE: 1:1

A3

PANIDIS-SA - CONCEALED HINGE - PHH-100-C1



**PANIDIS**   
 MAKEDONIKI • ALUMINIUM SYSTEM COMPONENTS

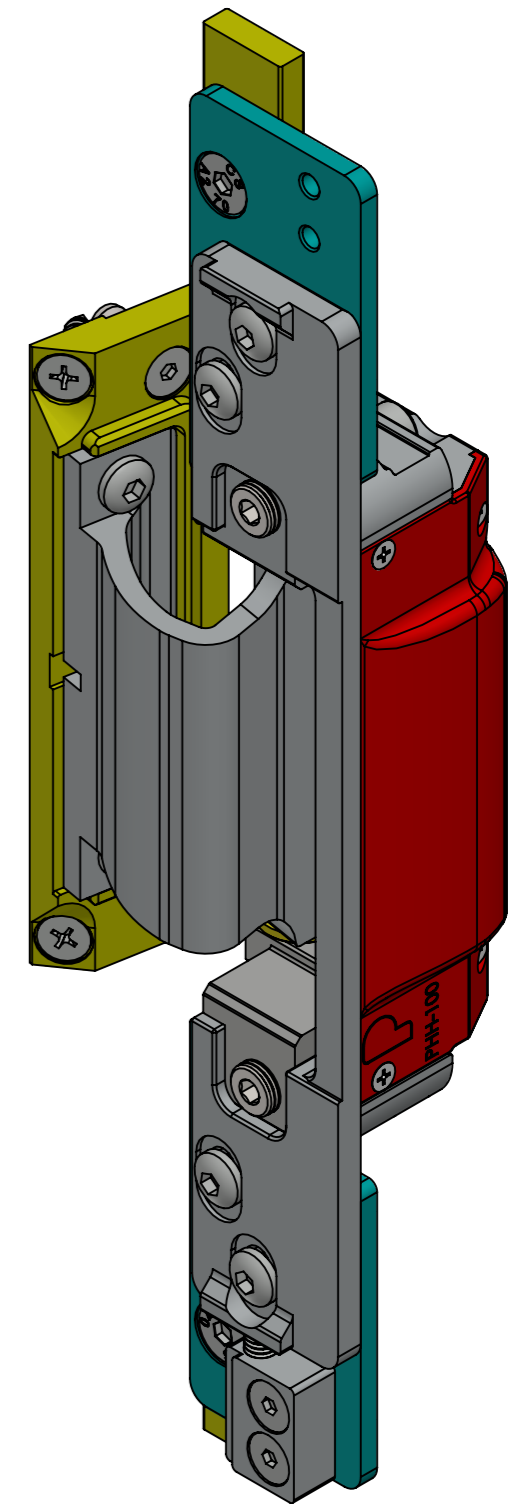
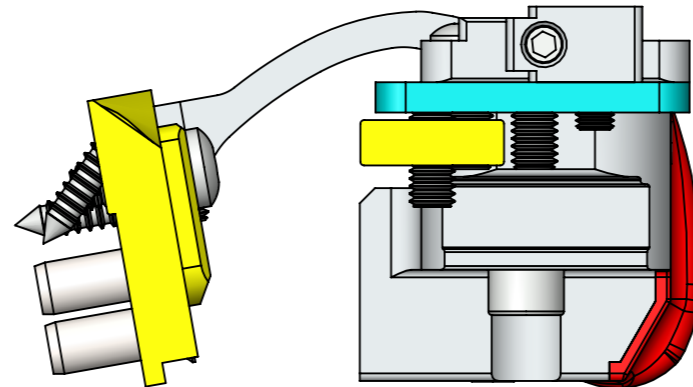
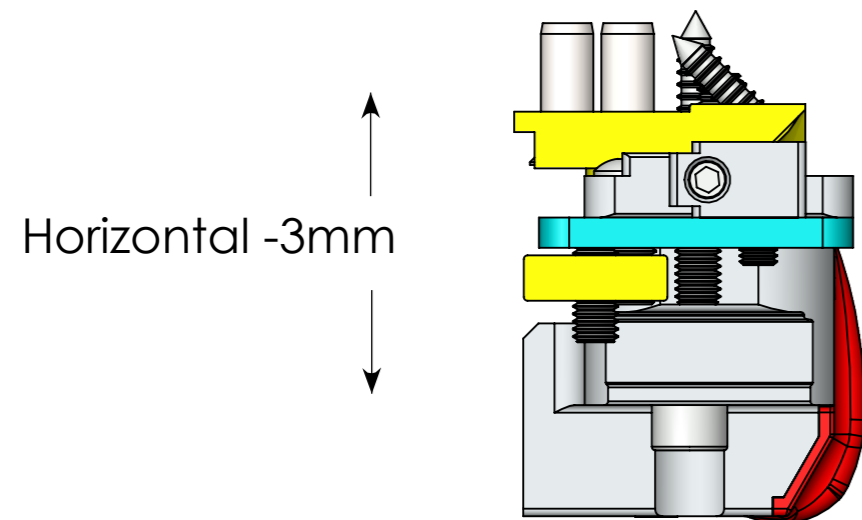
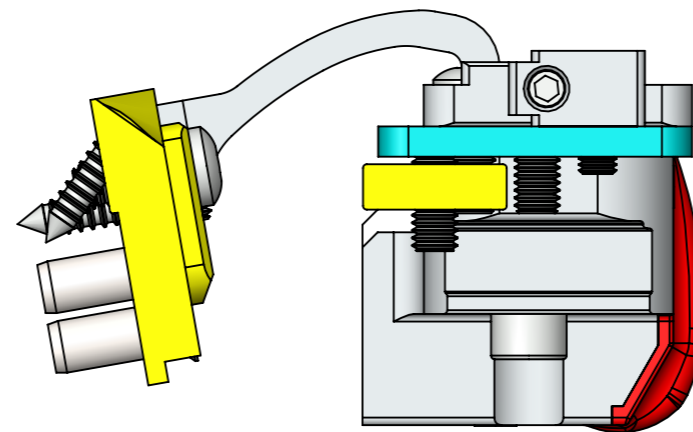
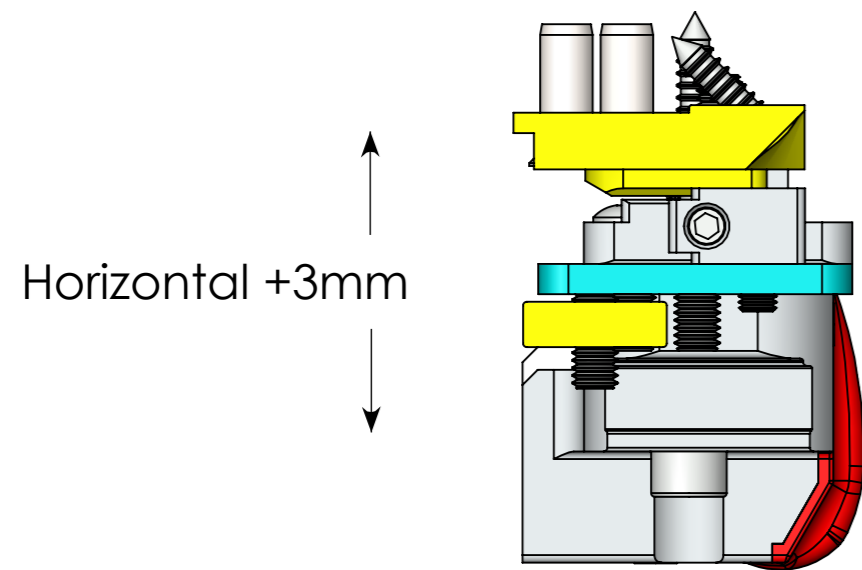
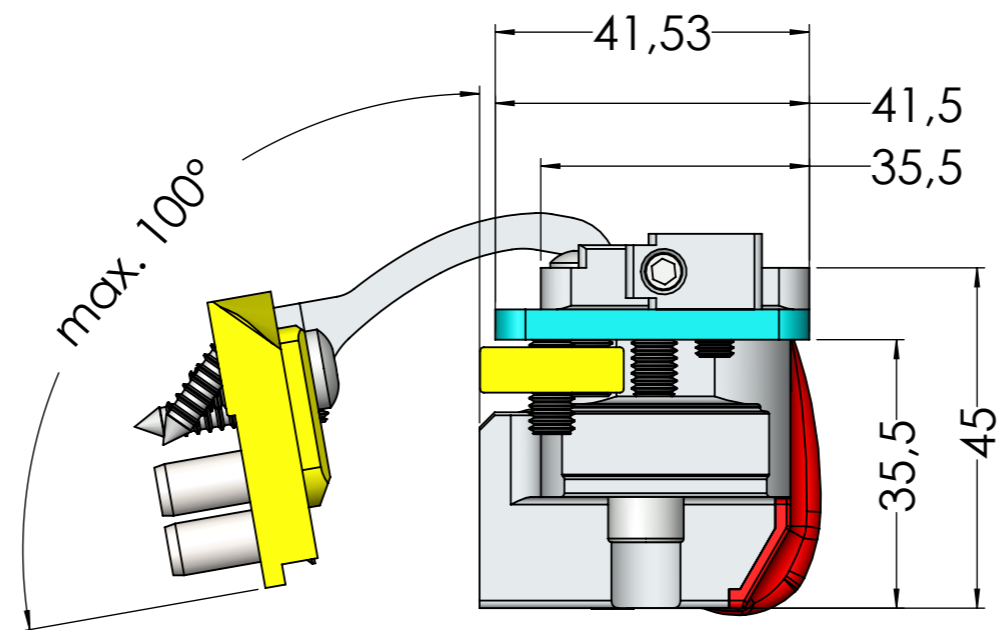
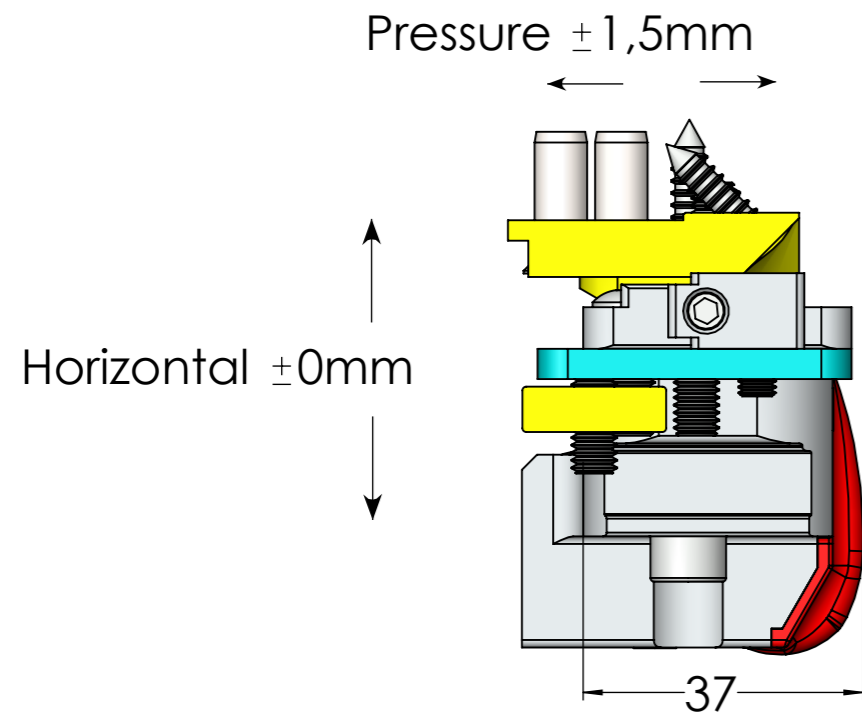
PANIDIS S.A.  
 PRODUCTION OF ALUMINIUM RAILING SYSTEMS & ACCESSORIES  
 TEL: +30 2310 780352-784 519, FAX: +30 2310 783764  
 www.panidis-sa.com e-mail: info@panidis-sa.com

DWG NO. PHH-100-C1

MATERIAL:	WEIGHT:
REVISION:	DATE: 9/9/2022
UNLESS OTHERWISE SPECIFIED: DIMENSIONS ARE IN MILLIMETERS	DO NOT SCALE DRAWING
TOLERANCES:	LINEAR: SCALE: 1:1
	ANGULAR:

A3

PANIDIS-SA - CONCEALED HINGE - PHH-100-C1 [POSITIONS]



Copyright Panidis SA. All rights reserved.

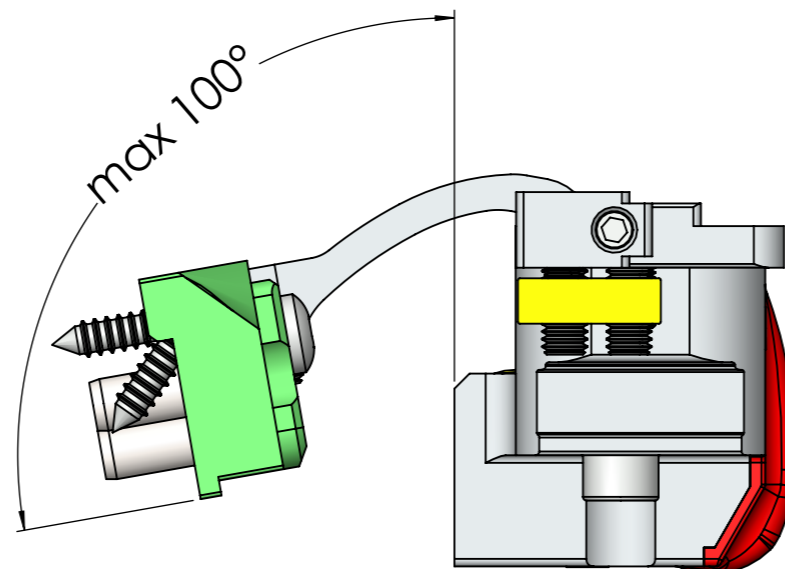
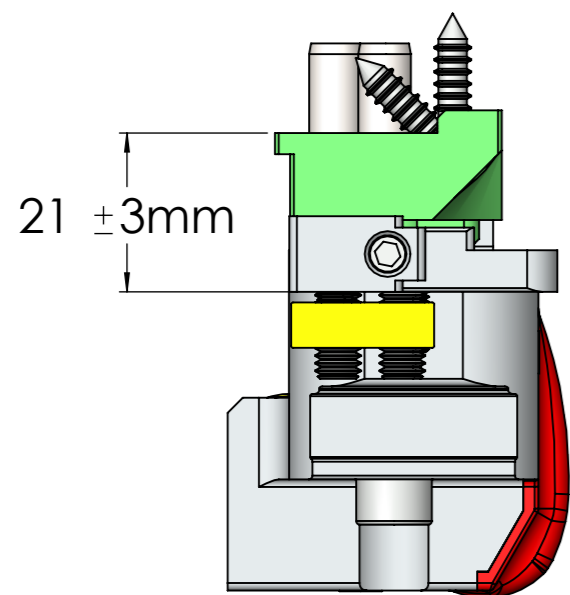
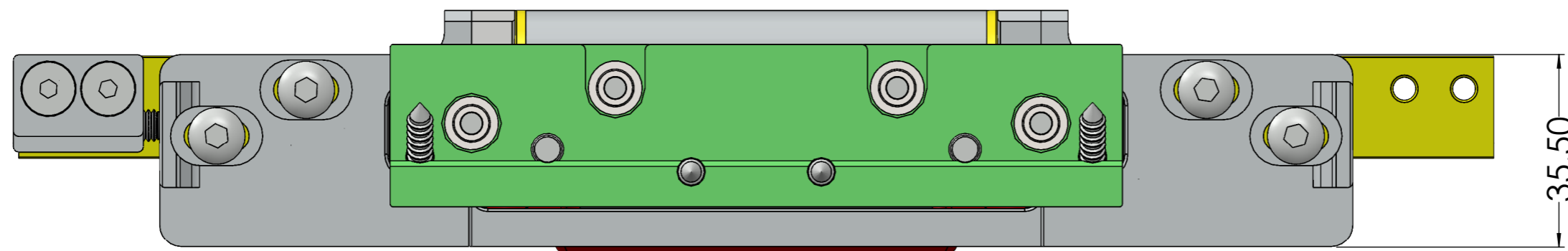
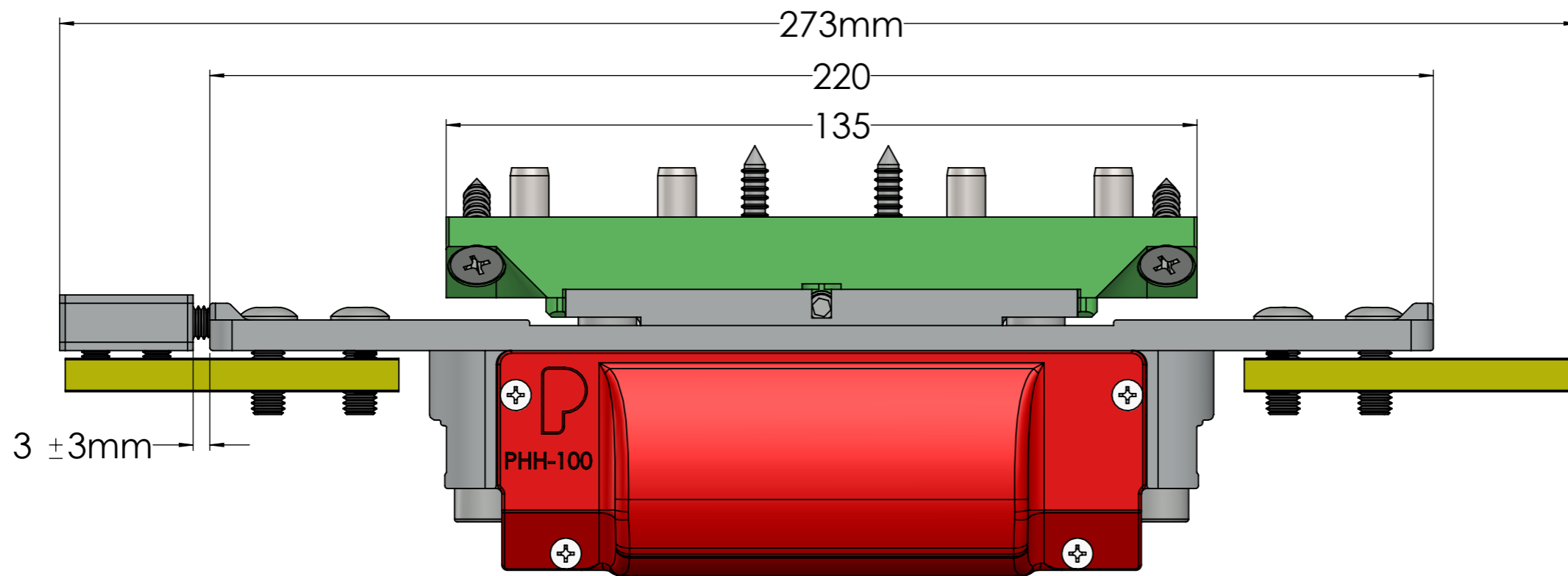
**PANIDIS**   
 MAKEDONIKI • ALUMINIUM SYSTEM COMPONENTS

PANIDIS S.A.  
 PRODUCTION OF ALUMINIUM RAILING SYSTEMS & ACCESSORIES  
 TEL: +30 2310 780352-784 519, FAX: +30 2310 783764  
 www.panidis-sa.com e-mail: info@panidis-sa.com

DWG NO. PHH-100-C1

MATERIAL:	DATE: 9/9/2022	WEIGHT:	DO NOT SCALE DRAWING
REVISION:			
UNLESS OTHERWISE SPECIFIED: DIMENSIONS ARE IN MILLIMETERS		SHEET 2 OF 2	
TOLERANCES:	LINEAR:	SCALE: 1:1	A3
	ANGULAR:		





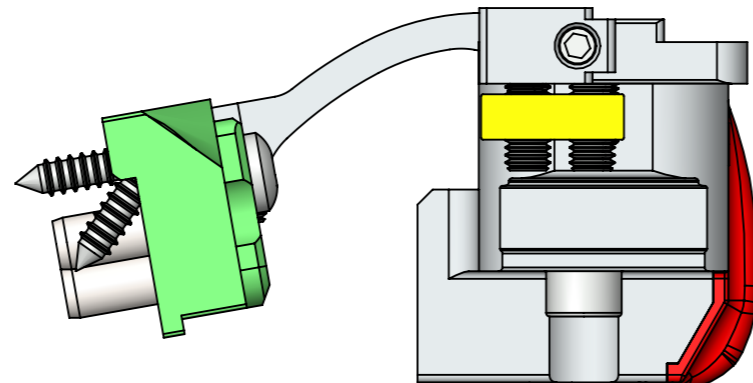
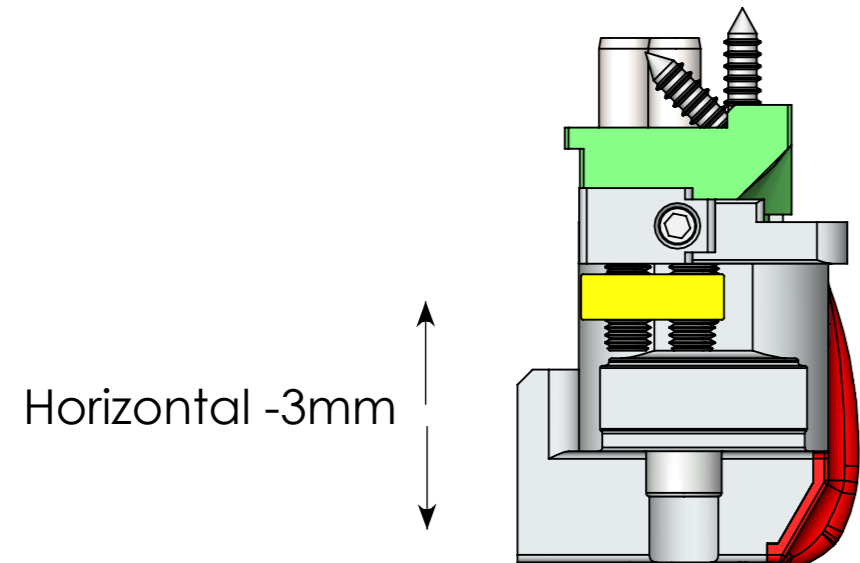
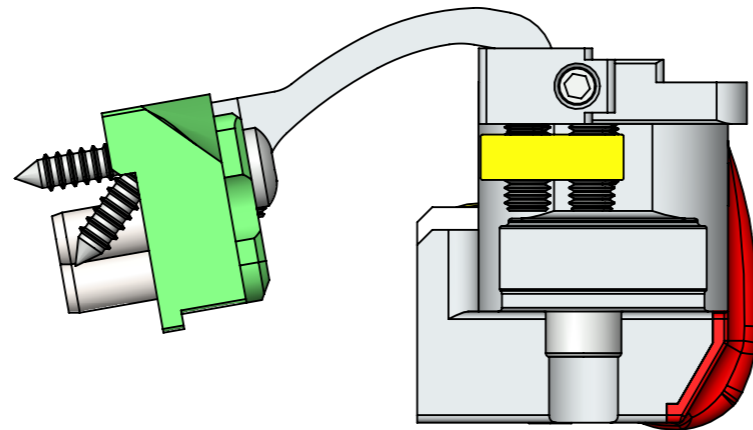
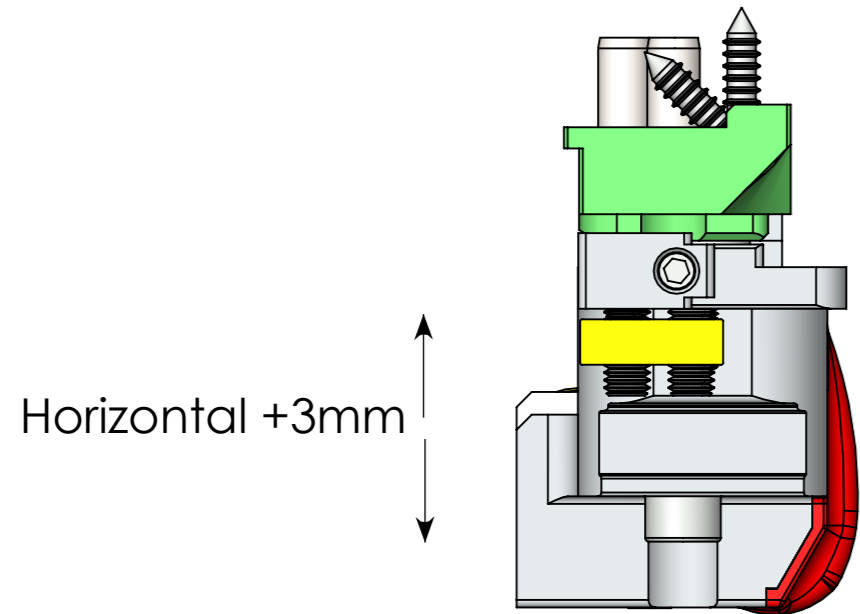
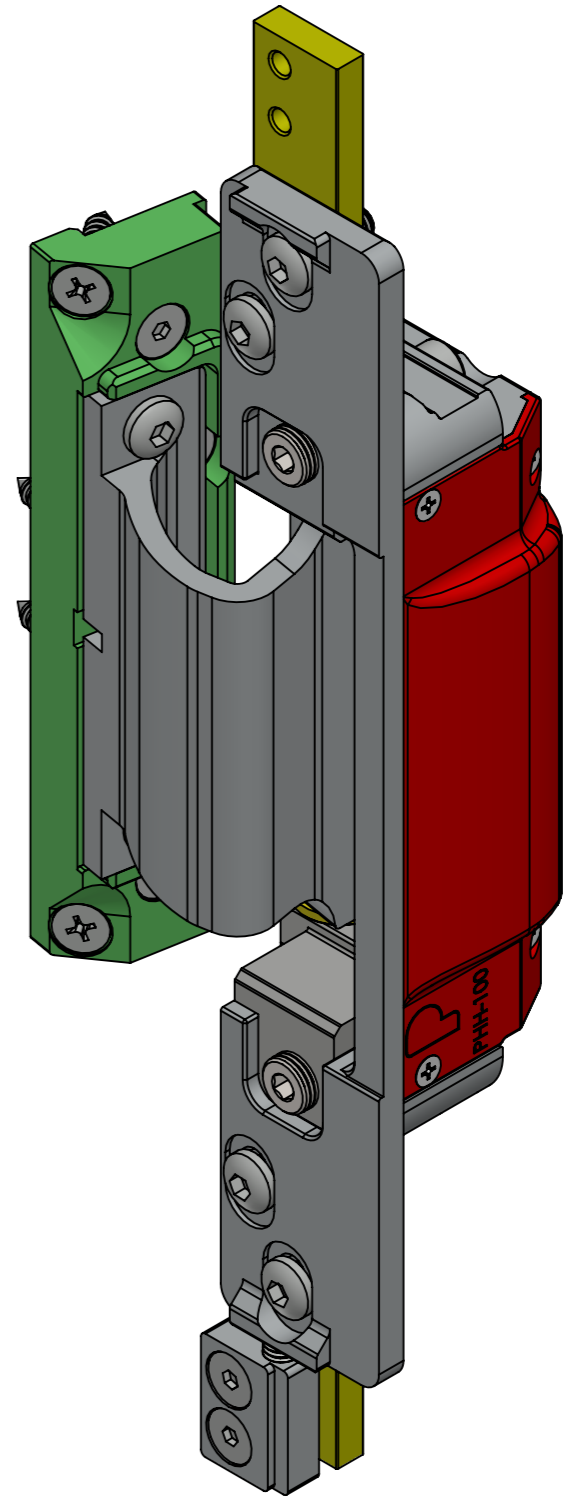
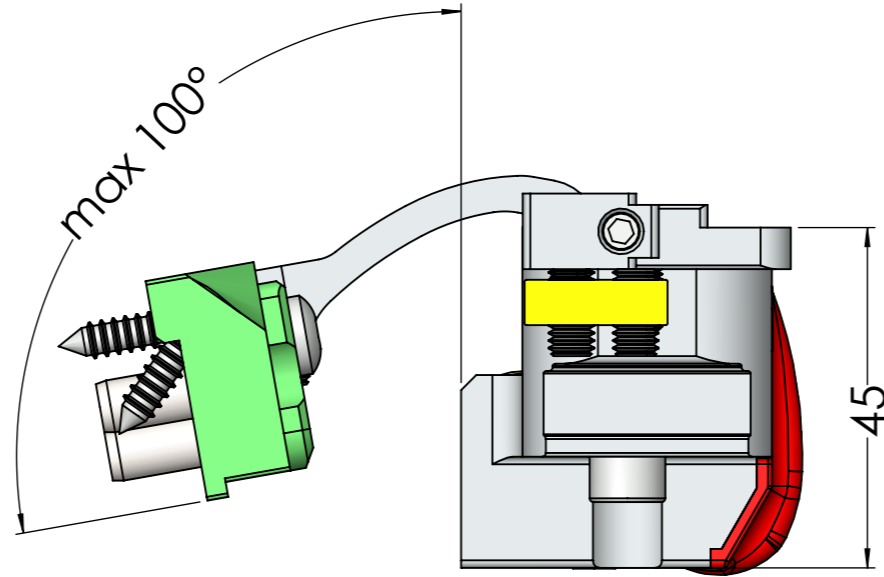
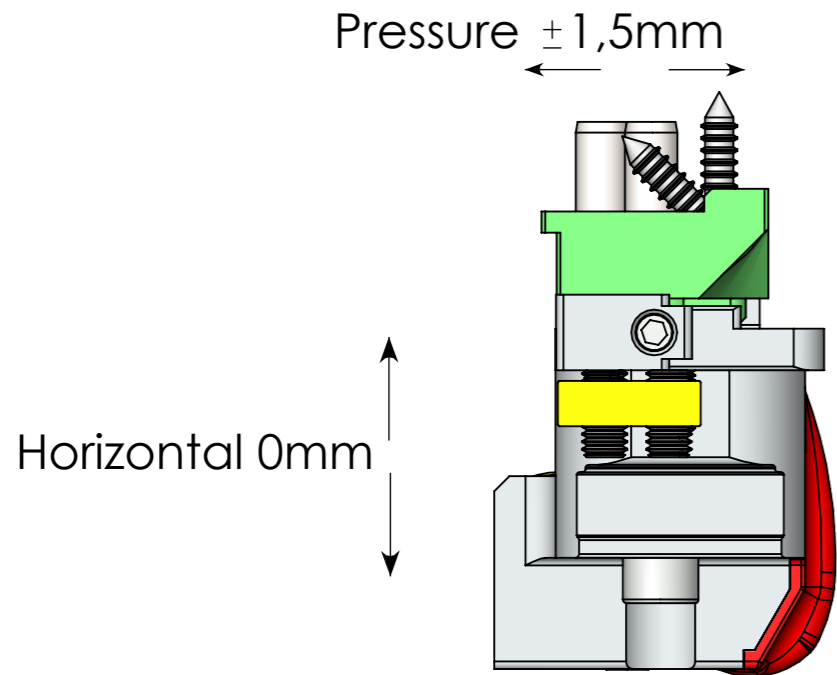
**PANIDIS**   
 MAKEDONIKI • ALUMINIUM SYSTEM COMPONENTS


PANIDIS S.A  
 PRODUCTION OF ALUMINIUM RAILING SYSTEMS & ACCESSORIES  
 TEL: +30 2310 780352-784 519, FAX: +30 2310 783764  
 www.panidis-sa.com e-mail: info@panidis-sa.com

DWG NO. **PHH-100-C2**

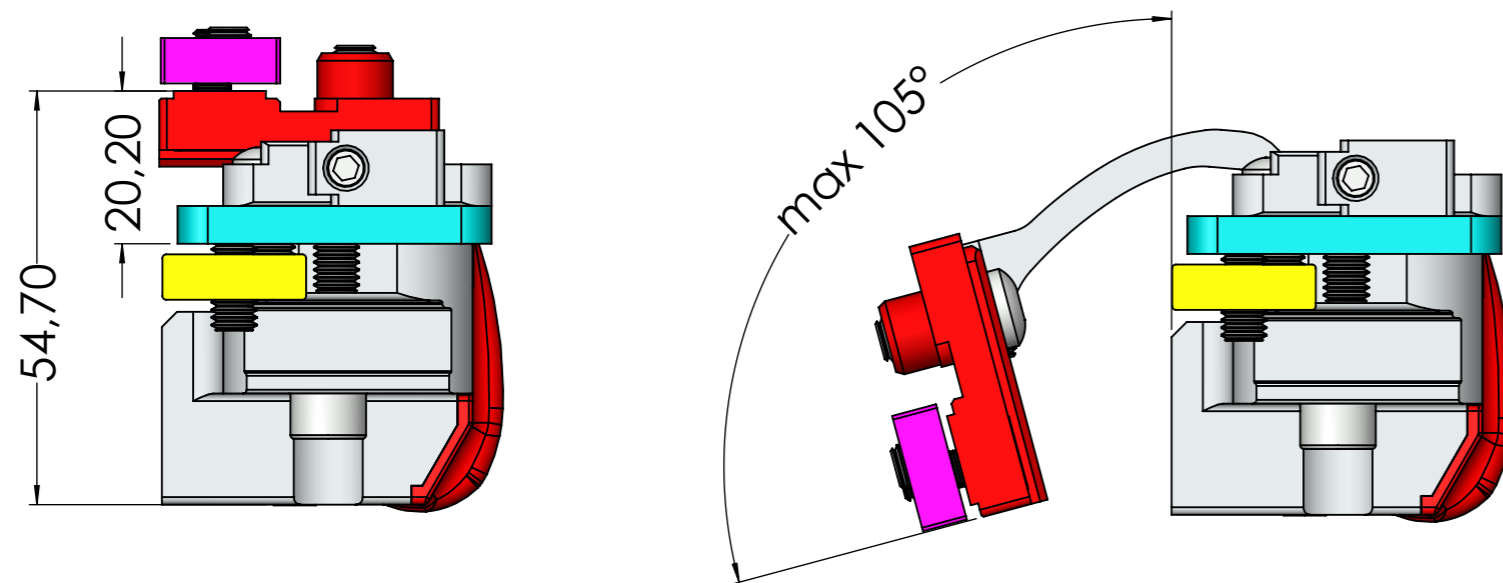
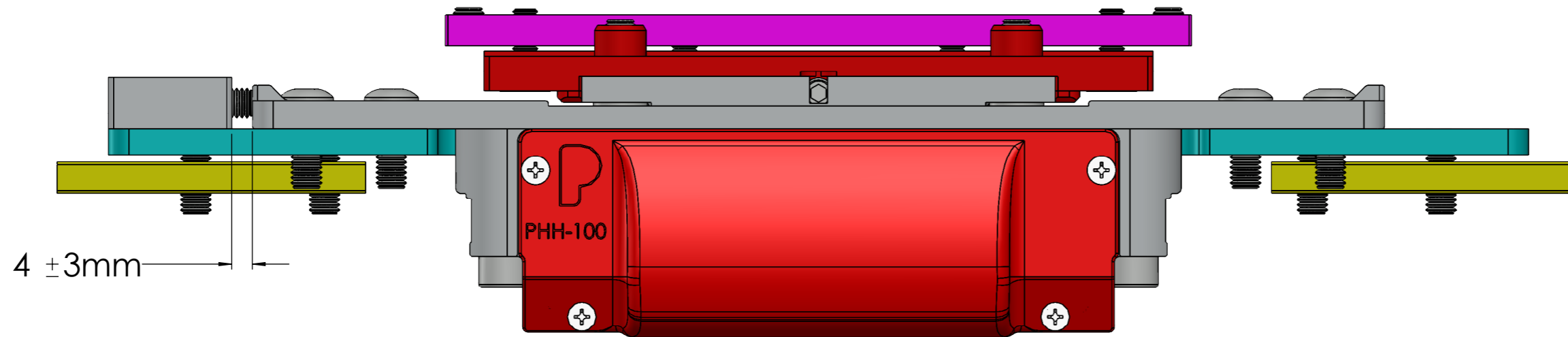
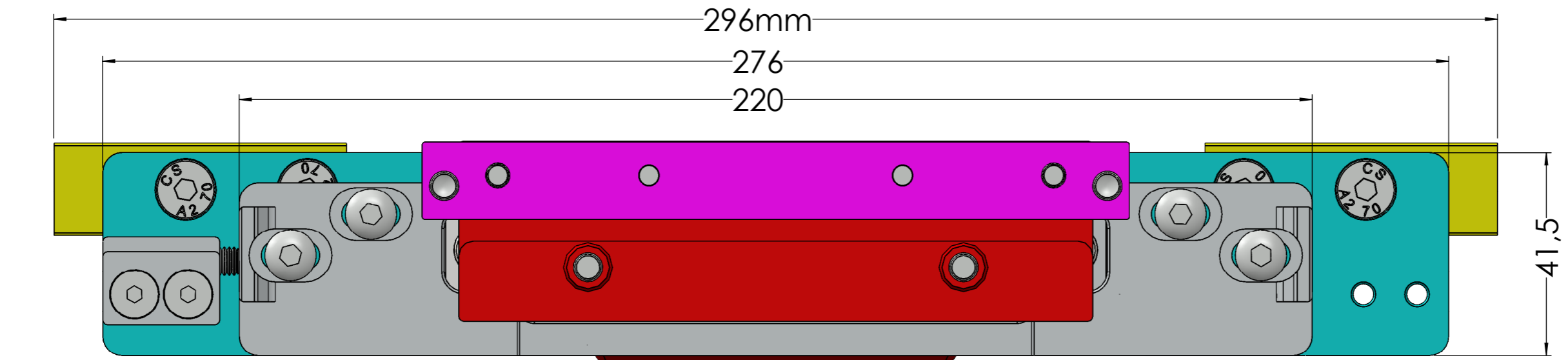
MATERIAL:	WEIGHT:
REVISION:	DATE: 14/9/2022
UNLESS OTHERWISE SPECIFIED: DIMENSIONS ARE IN MILLIMETERS	DO NOT SCALE DRAWING
TOLERANCES:	LINEAR: ANGULAR:
	SHEET 1 OF 2 SCALE: 1:5

A3



 <p><b>PANIDIS</b> MAKEDONIKI • ALUMINIUM SYSTEM COMPONENTS</p>	
<p>PANIDIS S.A. PRODUCTION OF ALUMINIUM RAILING SYSTEMS &amp; ACCESSORIES TEL: +30 2310 780352-784 519, FAX: +30 2310 783764 www.panidis-sa.com e-mail: info@panidis-sa.com</p>	
DWG NO.	PHH-100-C2
MATERIAL:	WEIGHT:
REVISION:	DATE: 14/9/2022
UNLESS OTHERWISE SPECIFIED: DIMENSIONS ARE IN MILLIMETERS	DO NOT SCALE DRAWING
TOLERANCES:	LINEAR: SCALE: 1:5
	ANGULAR:

PANIDIS-SA - CONCEALED HINGE - PHH-100-M1 [POSITIONS]

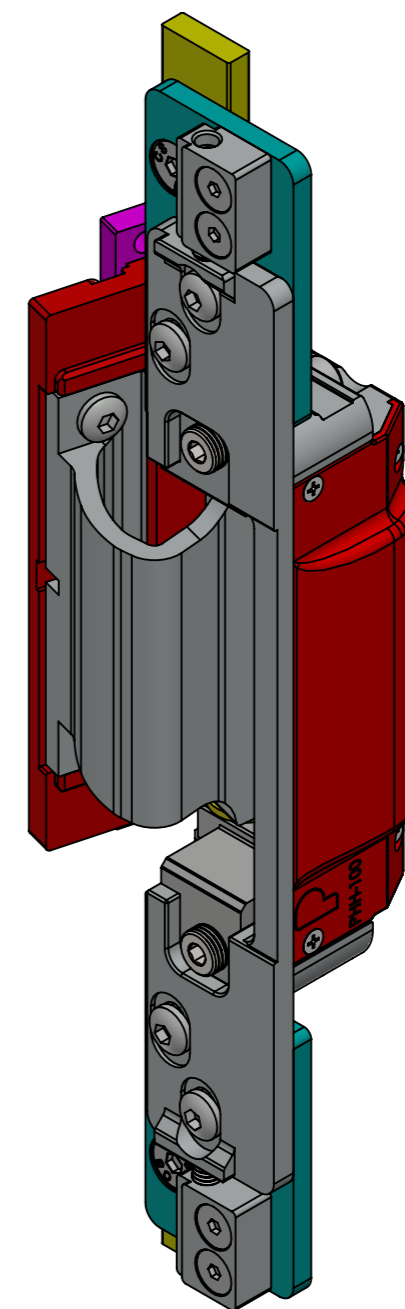
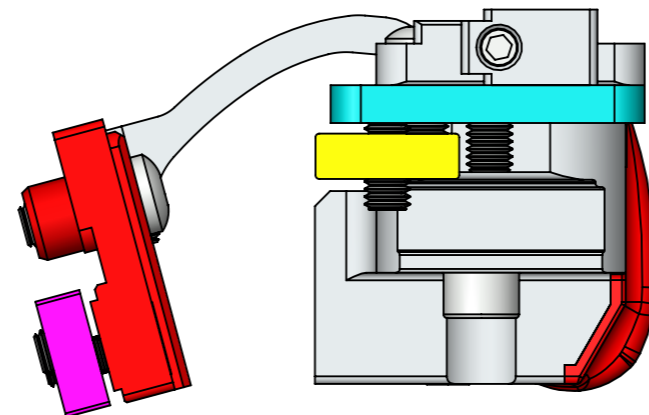
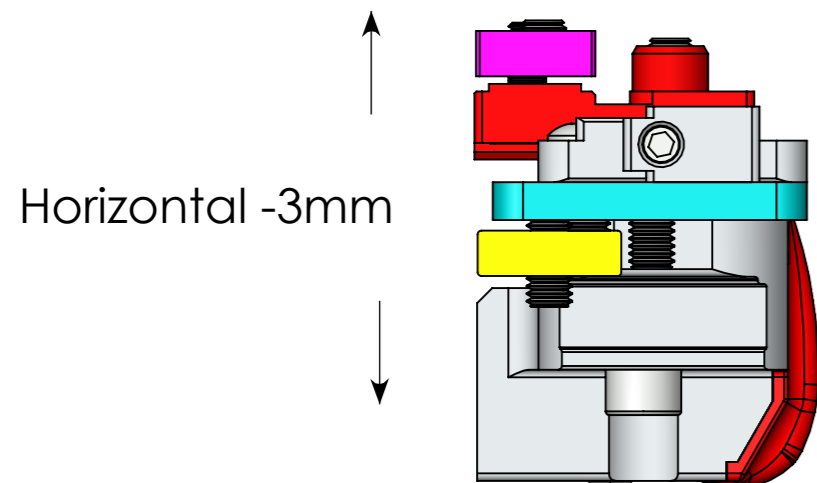
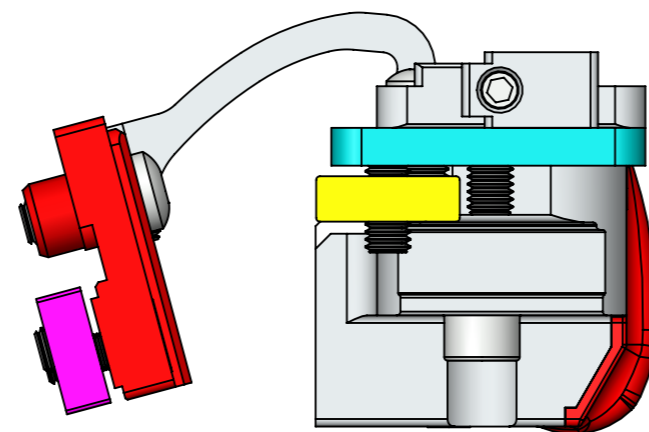
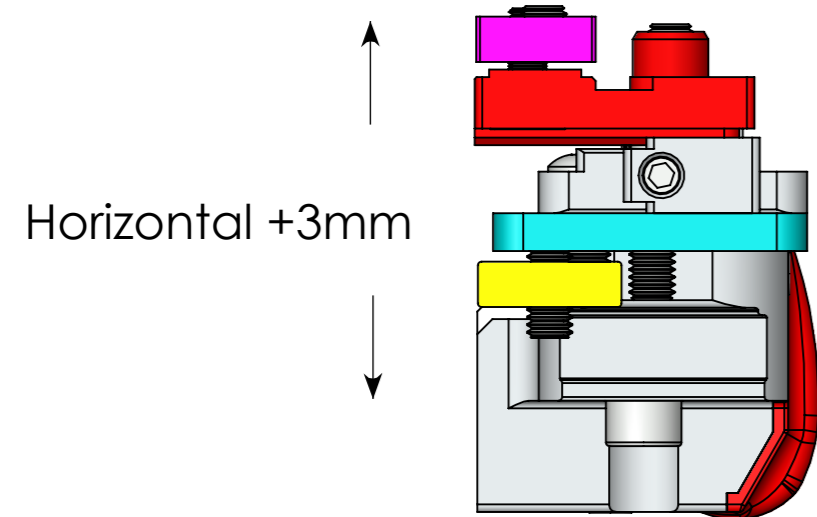
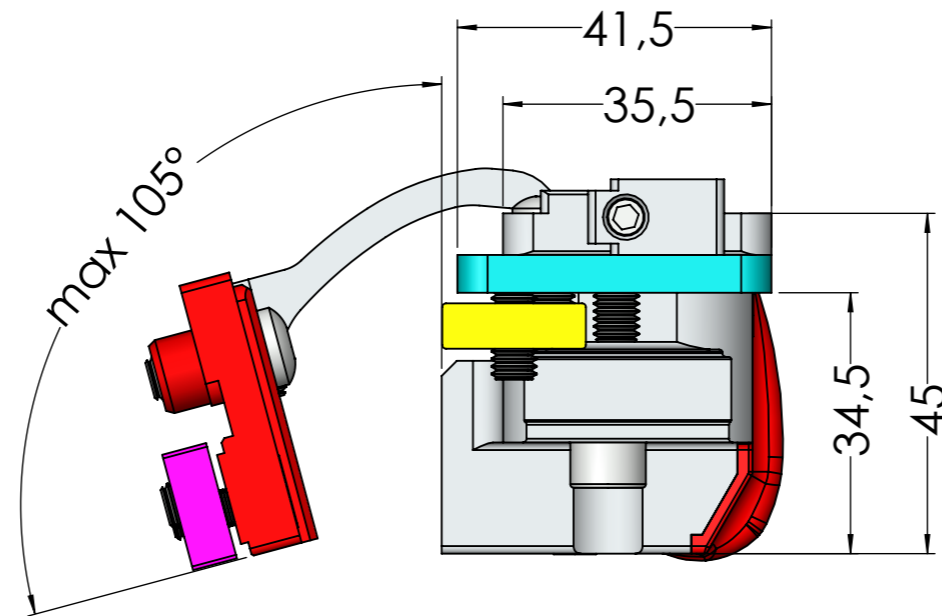
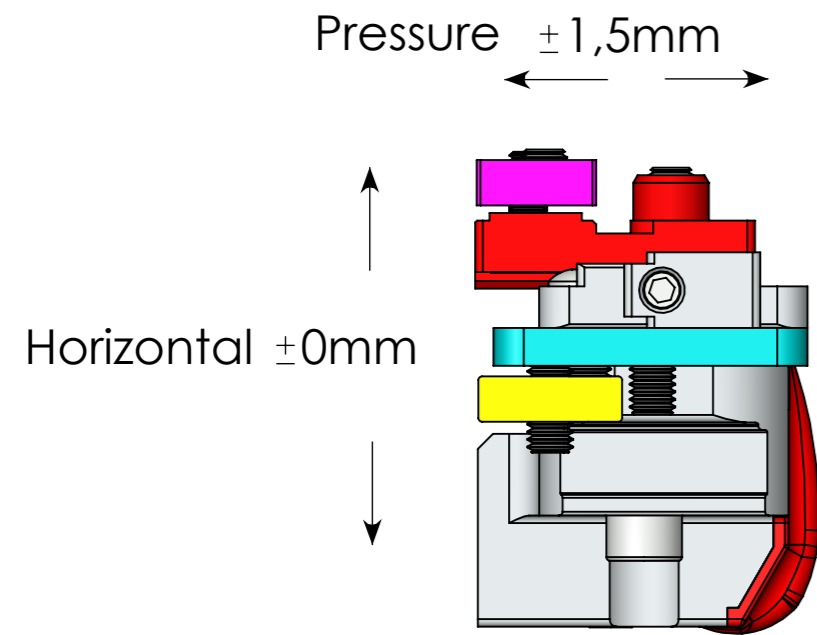


**PANIDIS**   
 MAKEDONIKI • ALUMINIUM SYSTEM COMPONENTS

PANIDIS S.A.  
 PRODUCTION OF ALUMINIUM RAILING SYSTEMS & ACCESSORIES  
 TEL: +30 2310 780352-784 519, FAX: +30 2310 783764  
 www.panidis-sa.com e-mail: info@panidis-sa.com

DWG NO.		PHH-100-M1	
MATERIAL:	WEIGHT:		
REVISION:	DATE: 14/9/2022	DO NOT SCALE DRAWING	
UNLESS OTHERWISE SPECIFIED: DIMENSIONS ARE IN MILLIMETERS		SHEET 1 OF 2	
TOLERANCES:	LINEAR:	SCALE: 1:5	A3
	ANGULAR:		

PANIDIS-SA - CONCEALED HINGE - PHH-100-M1 [POSITIONS]



**PANIDIS**   
 MAKEDONIKI • ALUMINIUM SYSTEM COMPONENTS

PANIDIS S.A.  
 PRODUCTION OF ALUMINIUM RAILING SYSTEMS & ACCESSORIES  
 TEL: +30 2310 780352-784 519, FAX: +30 2310 783764  
 www.panidis-sa.com e-mail: info@panidis-sa.com

DWG NO. PHH-100-M1

MATERIAL:	WEIGHT:
REVISION:	DATE: 14/9/2022
UNLESS OTHERWISE SPECIFIED: DIMENSIONS ARE IN MILLIMETERS	DO NOT SCALE DRAWING
TOLERANCES:	LINEAR: SHEET 2 OF 2
ANGULAR:	SCALE: 1:5

A3