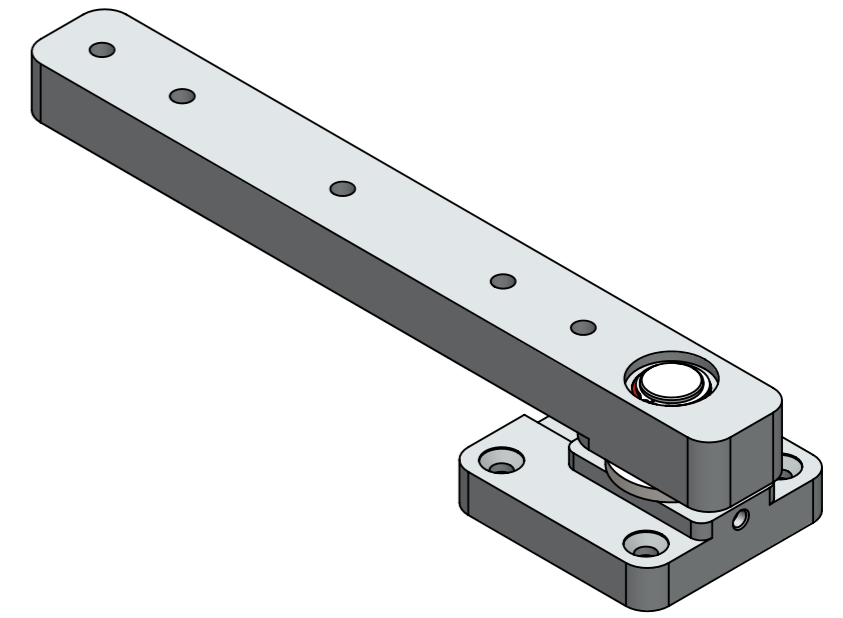
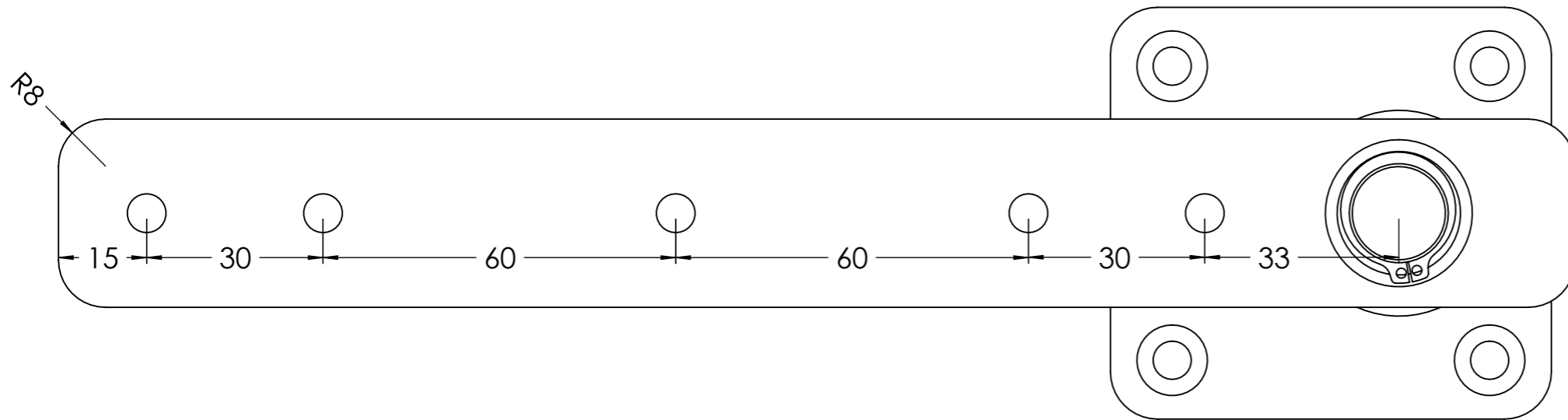
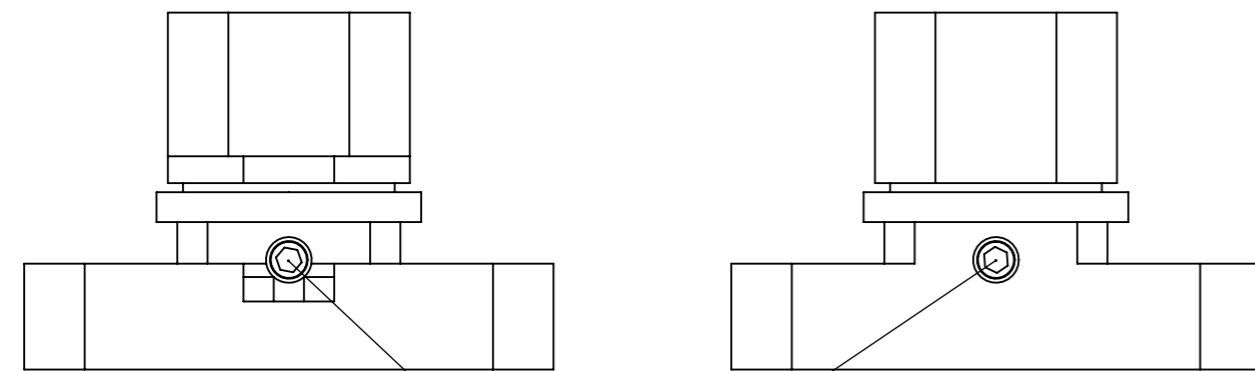
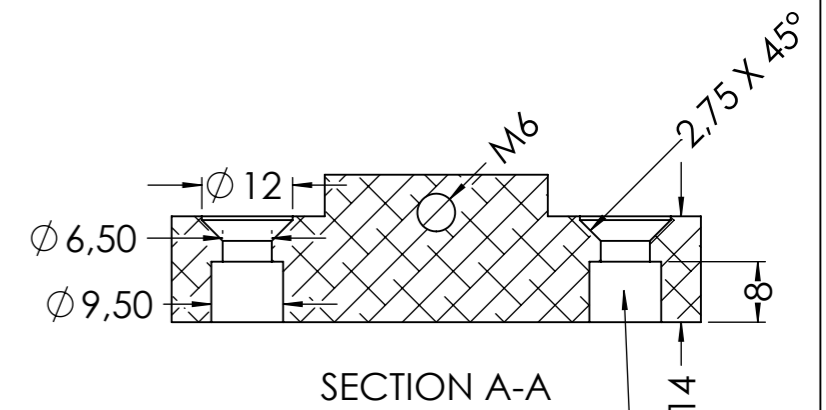
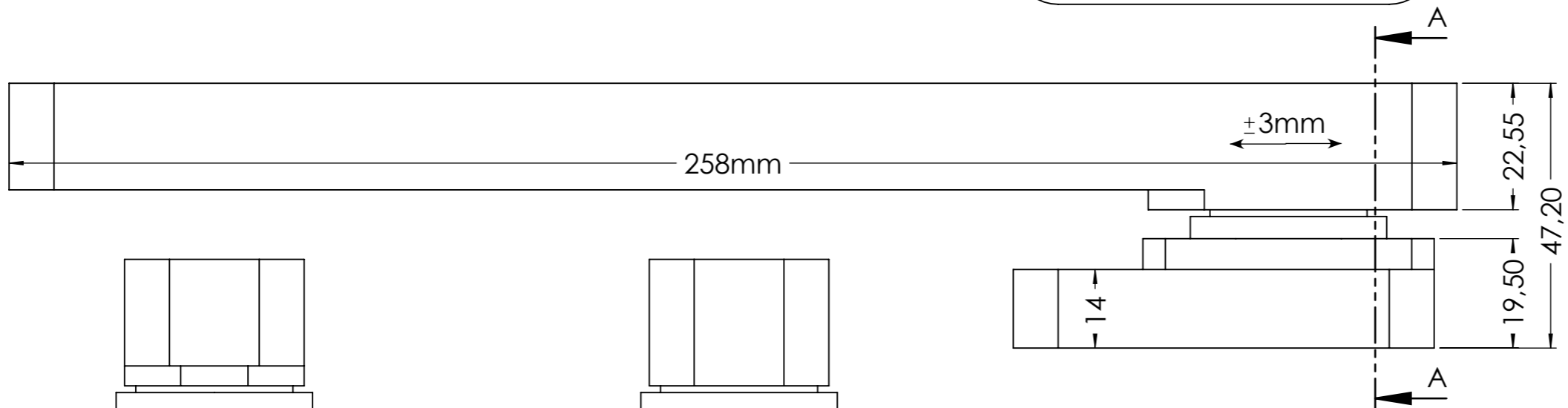


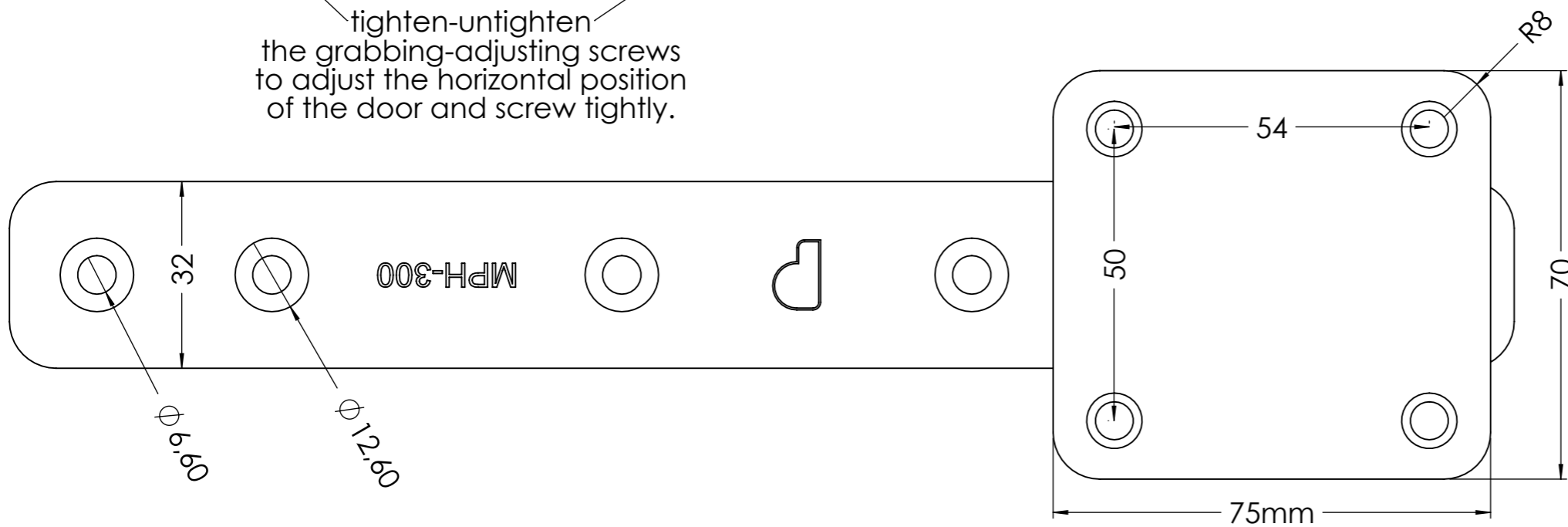
**HINGE PIVOT - MPH-300**




SCALE 1 : 2



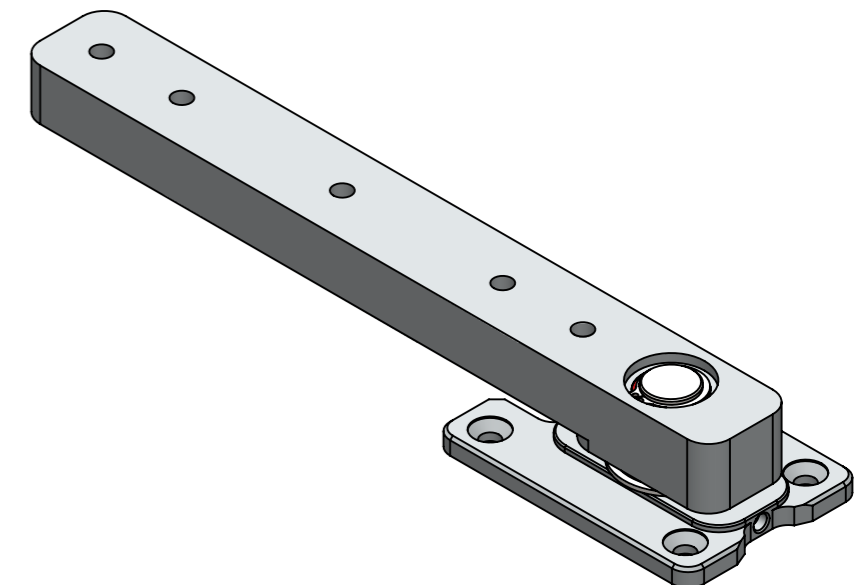
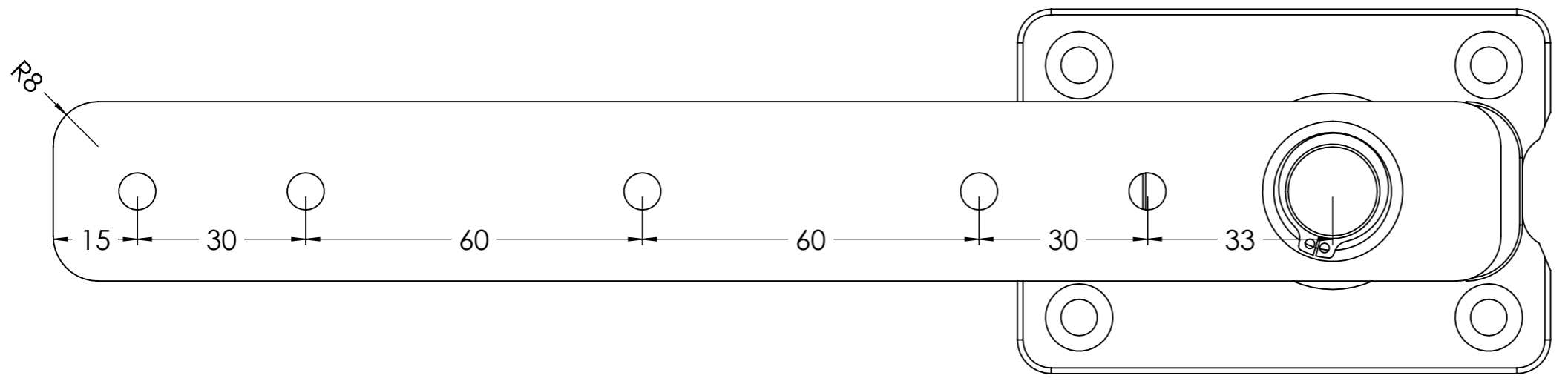
tighten-untighten the grabbing-adjusting screws to adjust the horizontal position of the door and screw tightly.



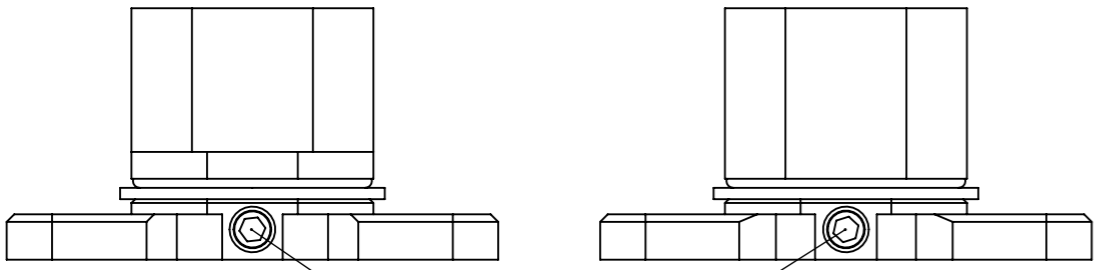
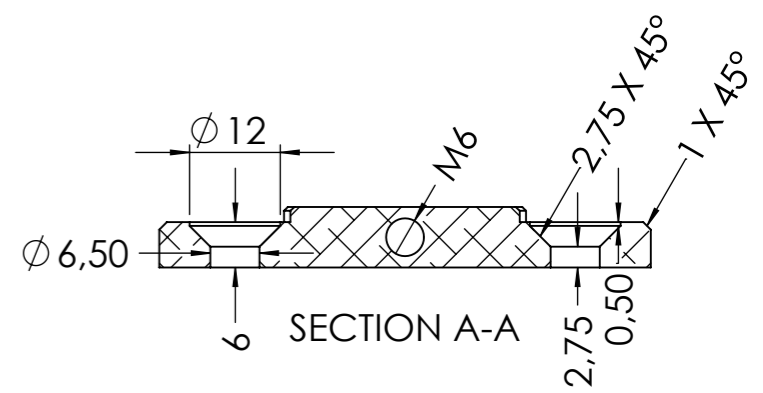
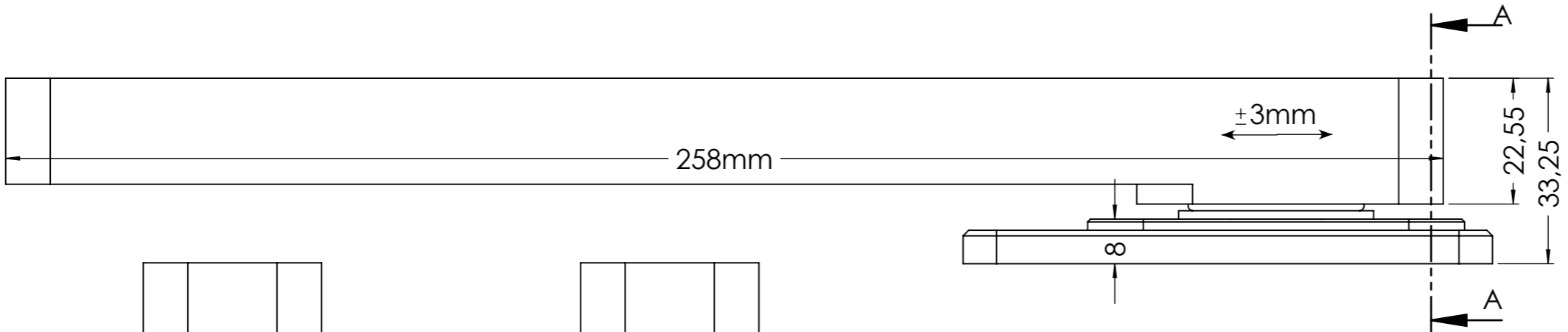
Copyright Panidis SA. All rights reserved.

 <p><b>PANIDIS</b> MAKEDONIKI • ALUMINIUM SYSTEM COMPONENTS</p>	
<p>PANIDIS S.A. PRODUCTION OF ALUMINIUM RAILING SYSTEMS &amp; ACCESSORIES TEL: +30 2310 780352-784 519, FAX: +30 2310 783764 www.panidis-sa.com e-mail: info@panidis-sa.com</p>	
DWG NO.	
<h1>MPH-301</h1>	
MATERIAL: ANODIZED ALUMINIUM	WEIGHT:
REVISION:	DATE: 8/6/2022
DO NOT SCALE DRAWING	
UNLESS OTHERWISE SPECIFIED: DIMENSIONS ARE IN MILLIMETERS	
SHEET 1 OF 9	
TOLERANCES: LINEAR: ANGULAR:	SCALE: 1:1
<span style="font-size: 2em; font-weight: bold;">A3</span>	

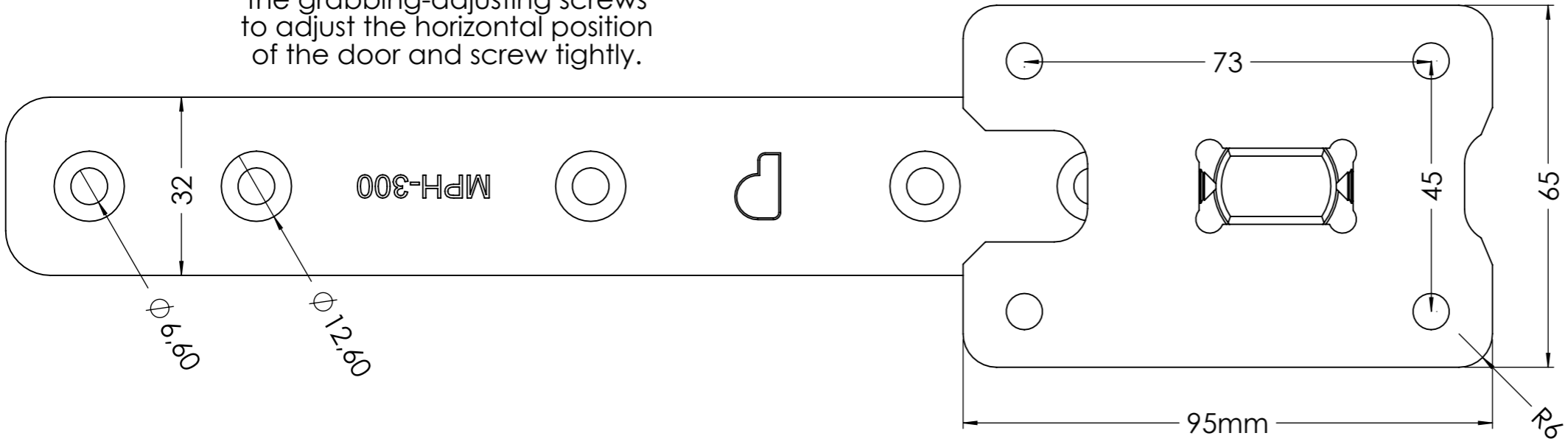
# HINGE PIVOT - MPH-300 Slim Base




SCALE 1 : 2



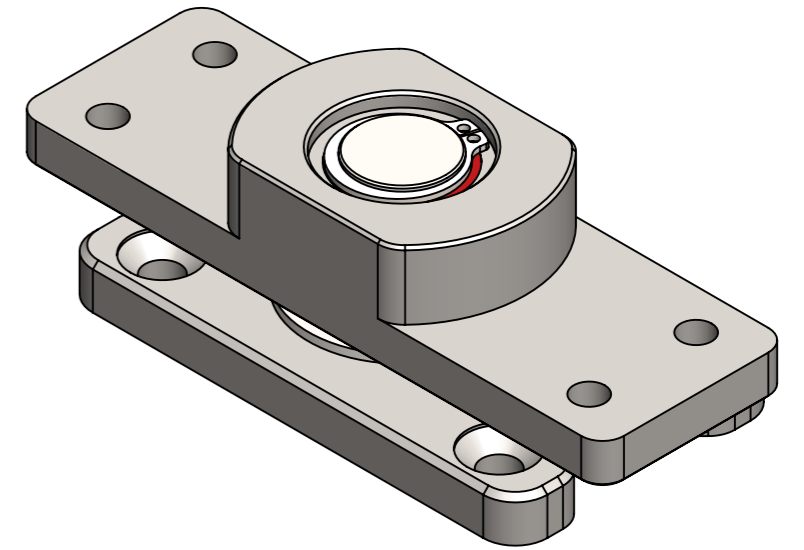
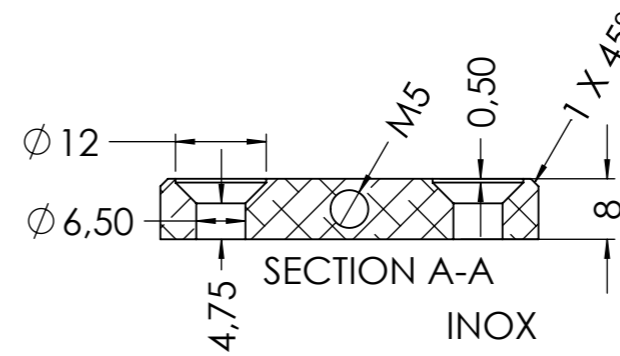
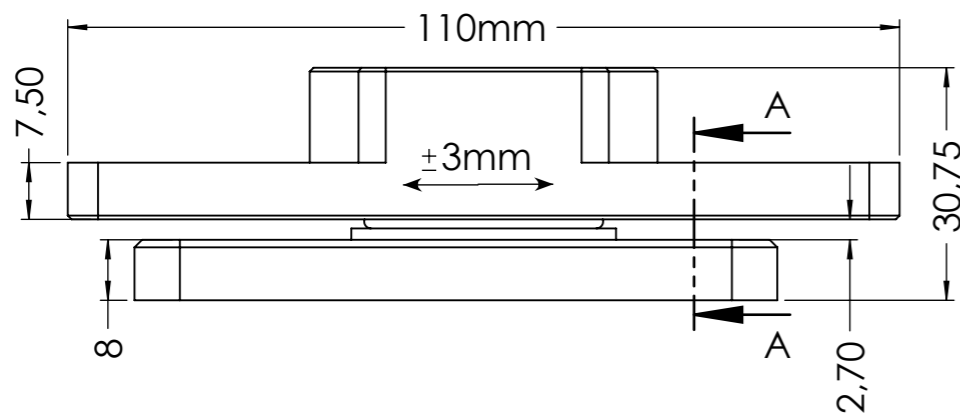
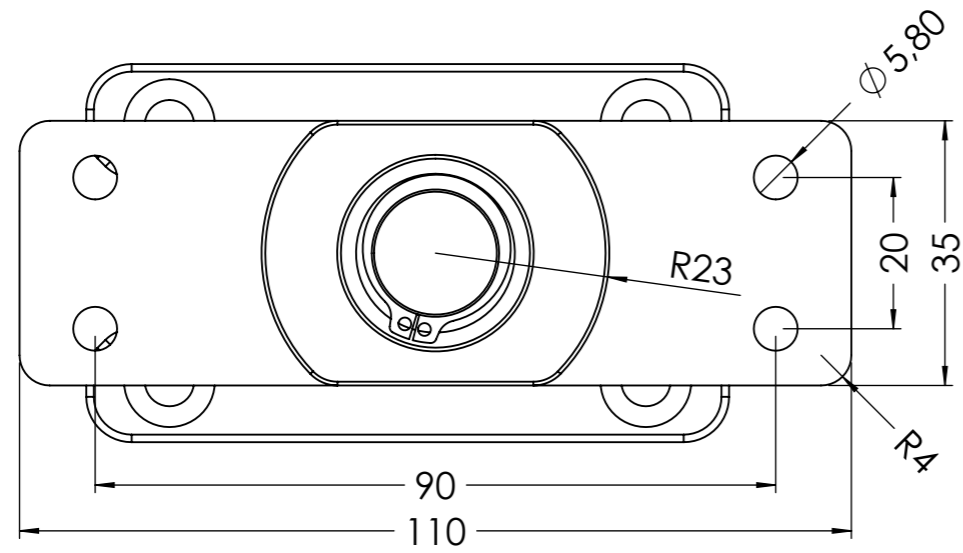
tighten-untighten  
the grabbing-adjusting screws  
to adjust the horizontal position  
of the door and screw tightly.



Copyright Panidis SA. All rights reserved.

 <p><b>PANIDIS</b> MAKEDONIKI • ALUMINIUM SYSTEM COMPONENTS</p>	
<p>PANIDIS S.A. PRODUCTION OF ALUMINIUM RAILING SYSTEMS &amp; ACCESSORIES TEL: +30 2310 780352-784 519, FAX: +30 2310 783764 www.panidis-sa.com e-mail: info@panidis-sa.com</p>	
DWG NO.	
<h2>MPH-301-S</h2>	
MATERIAL: ANODIZED ALUMINIUM	WEIGHT:
REVISION:	DATE:
DO NOT SCALE DRAWING	
UNLESS OTHERWISE SPECIFIED: DIMENSIONS ARE IN MILLIMETERS	
SHEET 2 OF 9	
TOLERANCES:	LINEAR: ANGULAR:
SCALE: 1:1	

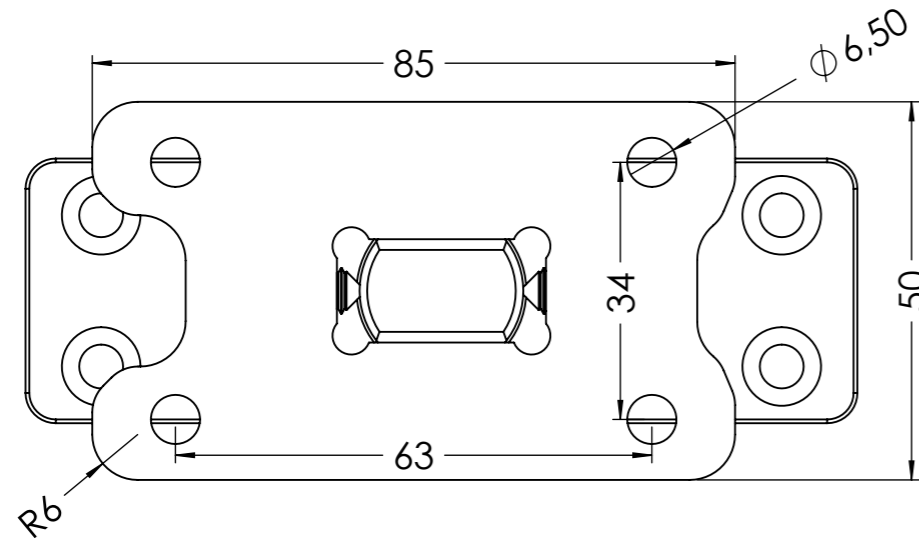
**HINGE PIVOT - MPH-300-B (for security doors)**



SCALE 1:1



tighten-untighten  
the grabbing-adjusting screws  
to adjust the horizontal position  
of the door and screw tightly.



PANIDIS S.A  
PRODUCTION OF ALUMINIUM RAILING SYSTEMS & ACCESSORIES  
TEL: +30 2310 780352-784 519, FAX: +30 2310 783764  
www.panidis-sa.com e-mail: info@panidis-sa.com

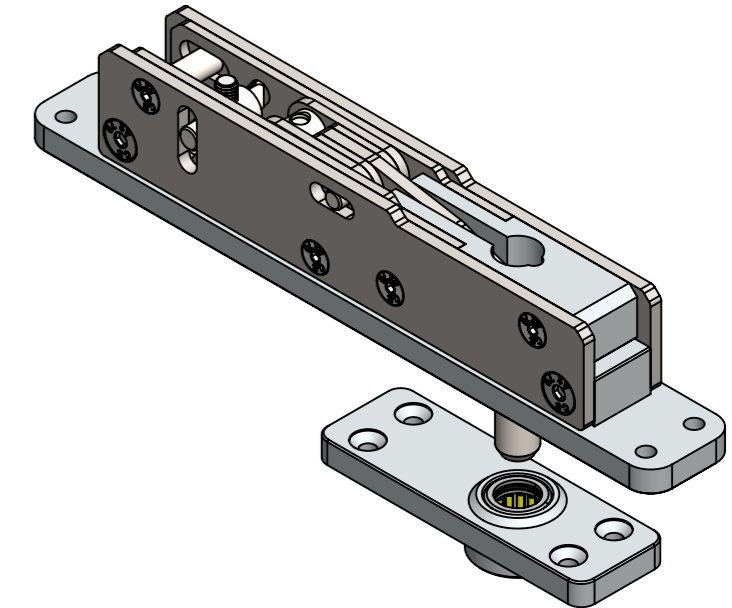
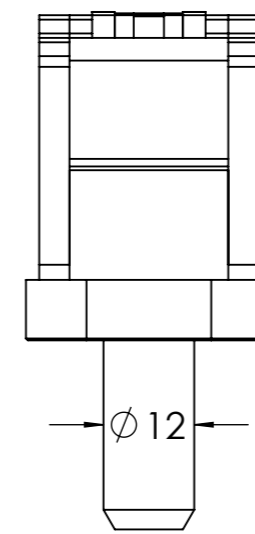
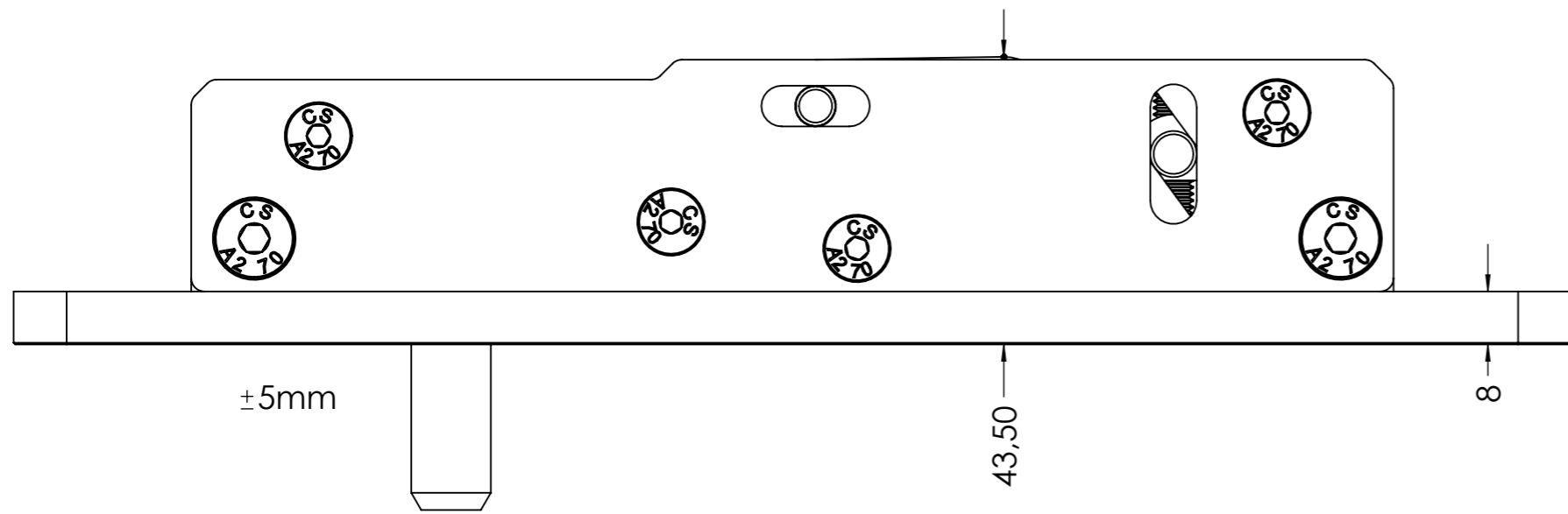
DWG NO.

**MPH-301-B**

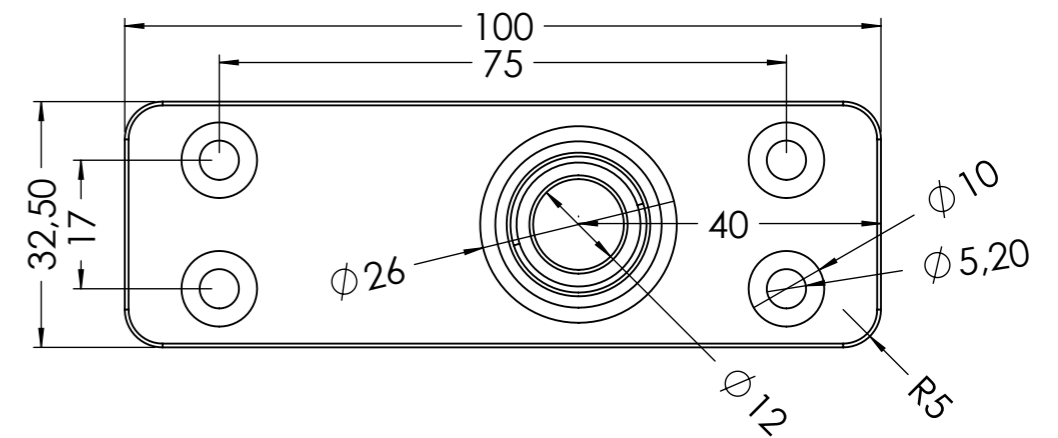
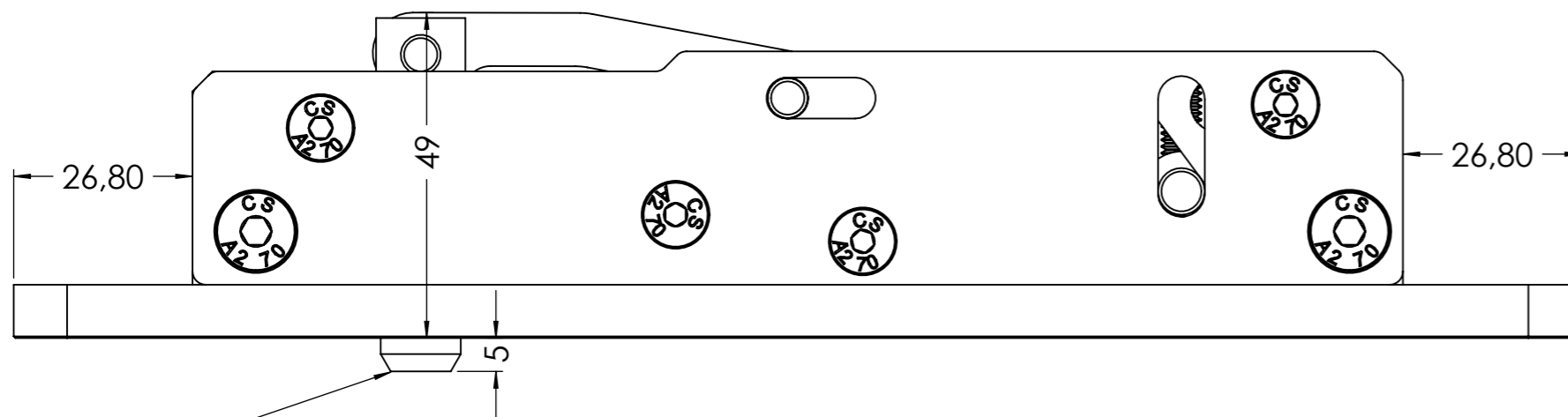
MATERIAL: ANODIZED ALUMINIUM	WEIGHT:
REVISION:	DATE:
UNLESS OTHERWISE SPECIFIED: DIMENSIONS ARE IN MILLIMETERS	DO NOT SCALE DRAWING
TOLERANCES:	LINEAR: ANGULAR:
	SHEET 3 OF 9
	SCALE: 1:1

**A3**

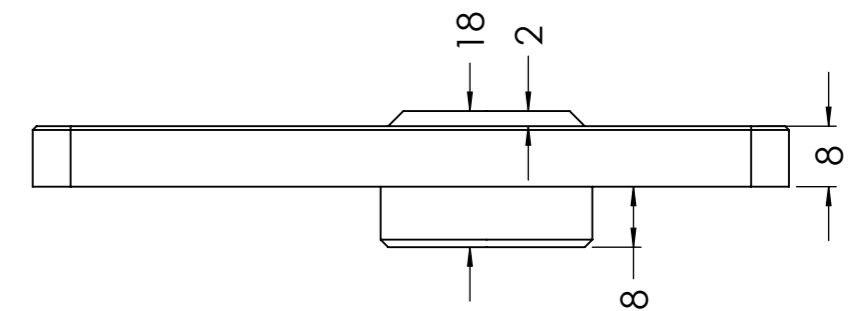
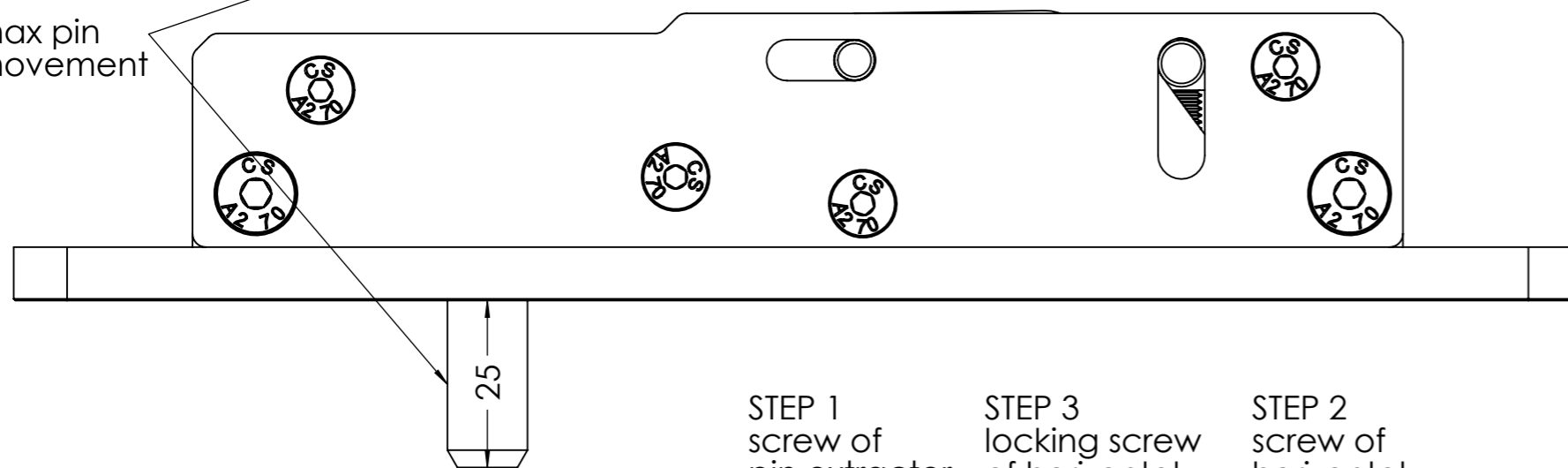
# HINGE PIVOT - MPH-300 & MPH-300-S



SCALE 1 : 2



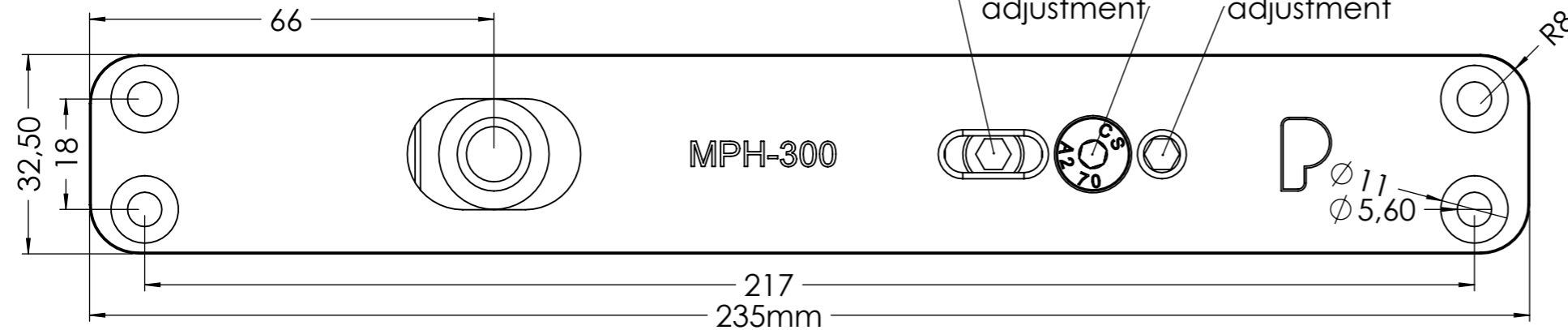
max pin movement



STEP 1  
screw of  
pin extractor

STEP 3  
locking screw  
of horizontal  
adjustment

STEP 2  
screw of  
horizontal  
adjustment



**PANIDIS**  
MAKEDONIKI • ALUMINIUM SYSTEM COMPONENTS

PANIDIS S.A.  
PRODUCTION OF ALUMINIUM RAILING SYSTEMS & ACCESSORIES  
TEL: +30 2310 780352-784 519, FAX: +30 2310 783764  
www.panidis-sa.com e-mail: info@panidis-sa.com

DWG NO.

**MPH-302**

MATERIAL: ANODIZED ALUMINIUM

WEIGHT:

REVISION: DATE: 8/6/2022

DO NOT SCALE DRAWING

UNLESS OTHERWISE SPECIFIED:  
DIMENSIONS ARE IN MILLIMETERS

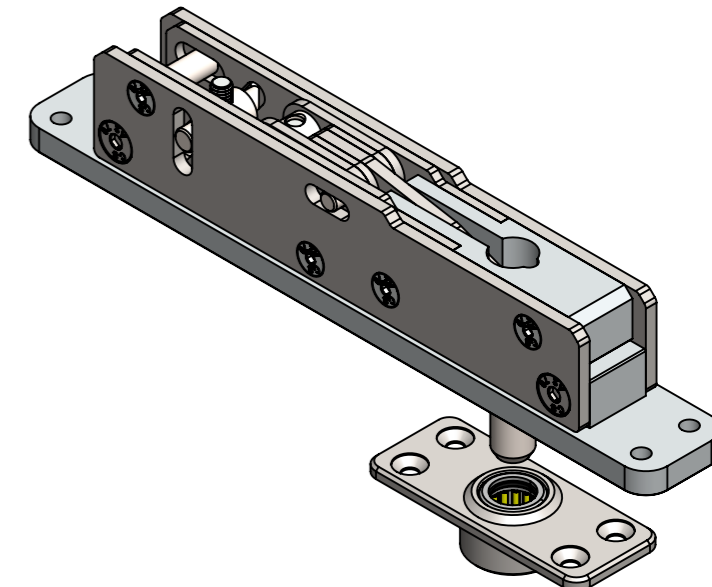
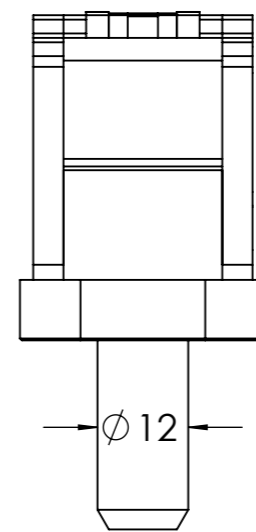
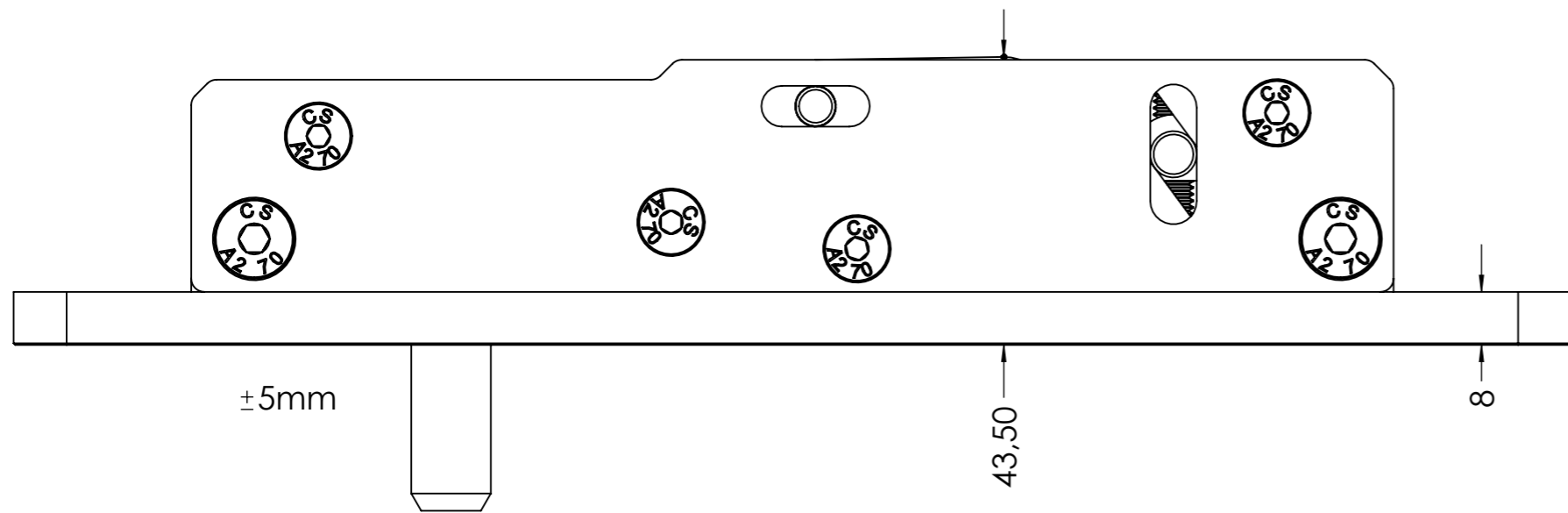
SHEET 4 OF 9

TOLERANCES: LINEAR: ANGULAR:

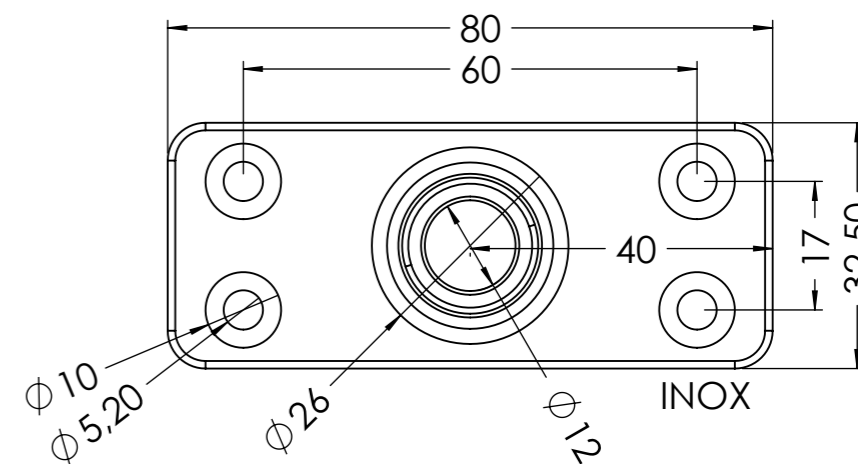
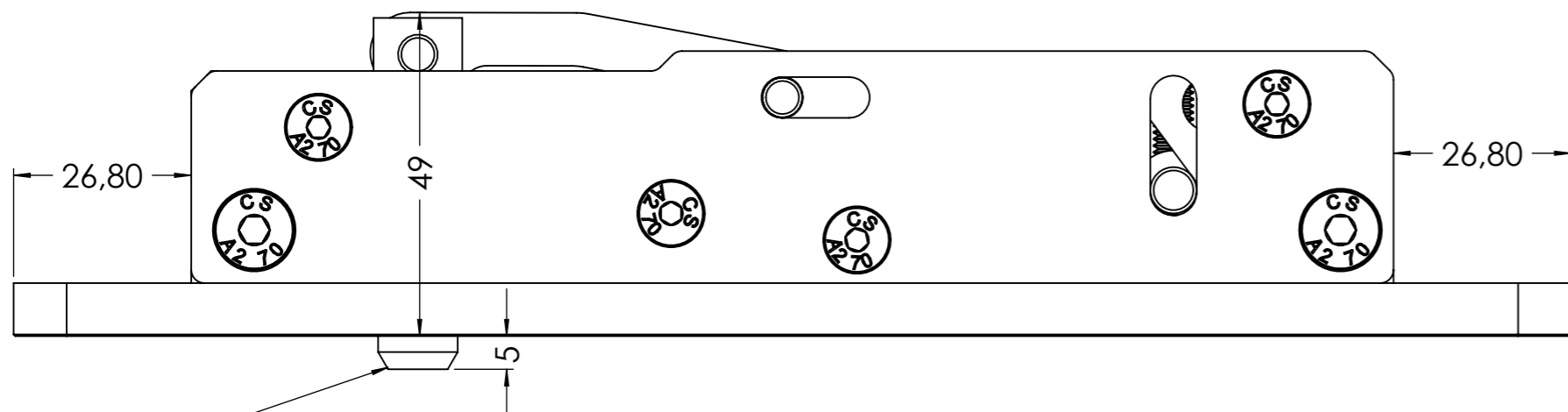
SCALE: 1:1

A3

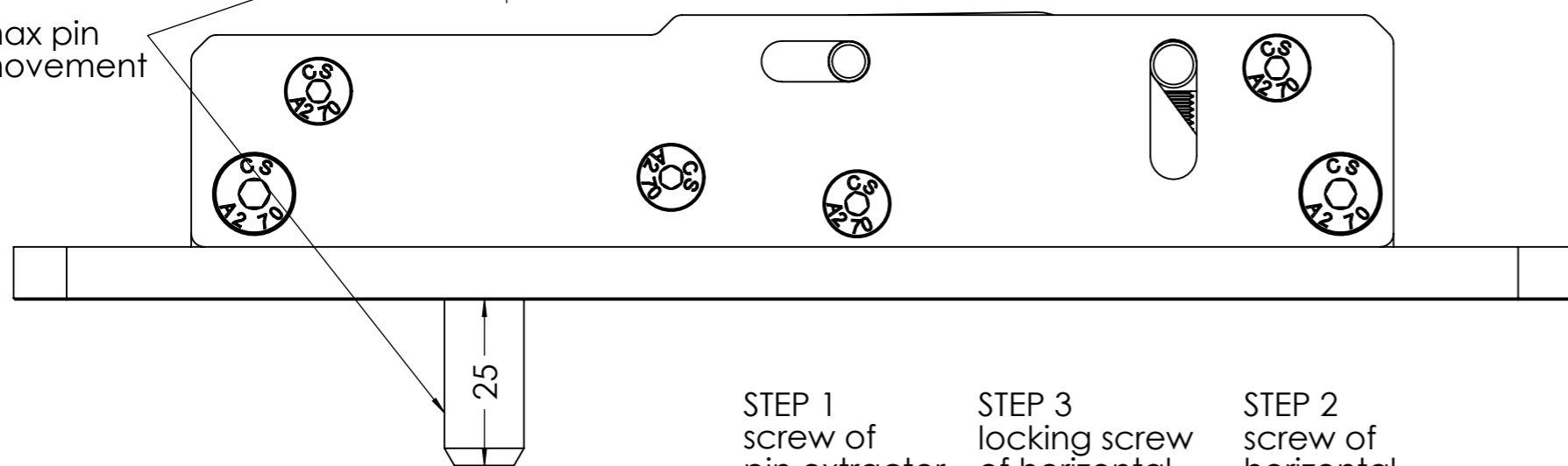
**HINGE PIVOT - MPH-300-B (for security doors)**



SCALE 1 : 2



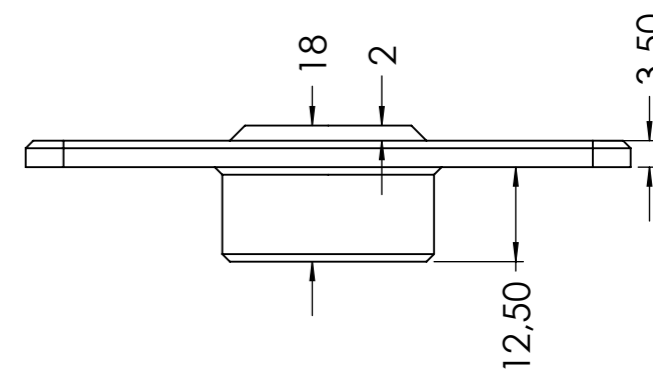
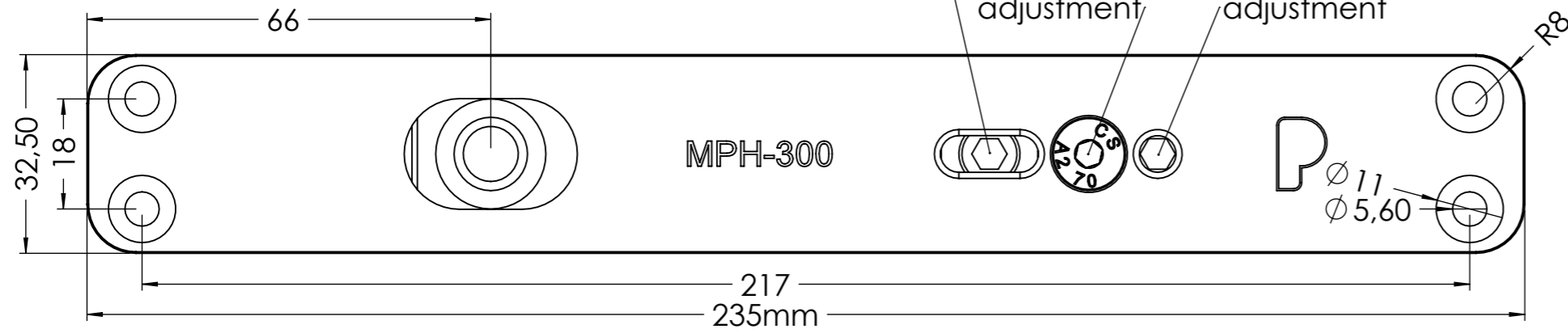
max pin movement



STEP 1  
screw of  
pin extractor

STEP 3  
locking screw  
of horizontal  
adjustment

STEP 2  
screw of  
horizontal  
adjustment



**PANIDIS**  
MAKEDONIKI • ALUMINIUM SYSTEM COMPONENTS

PANIDIS S.A.  
PRODUCTION OF ALUMINIUM RAILING SYSTEMS & ACCESSORIES  
TEL: +30 2310 780352-784 519, FAX: +30 2310 783764  
www.panidis-sa.com e-mail: info@panidis-sa.com

DWG NO.

**MPH-302-B**

MATERIAL: ANODIZED ALUMINIUM

WEIGHT:

REVISION: DATE: 8/6/2022

DO NOT SCALE DRAWING

UNLESS OTHERWISE SPECIFIED:  
DIMENSIONS ARE IN MILLIMETERS

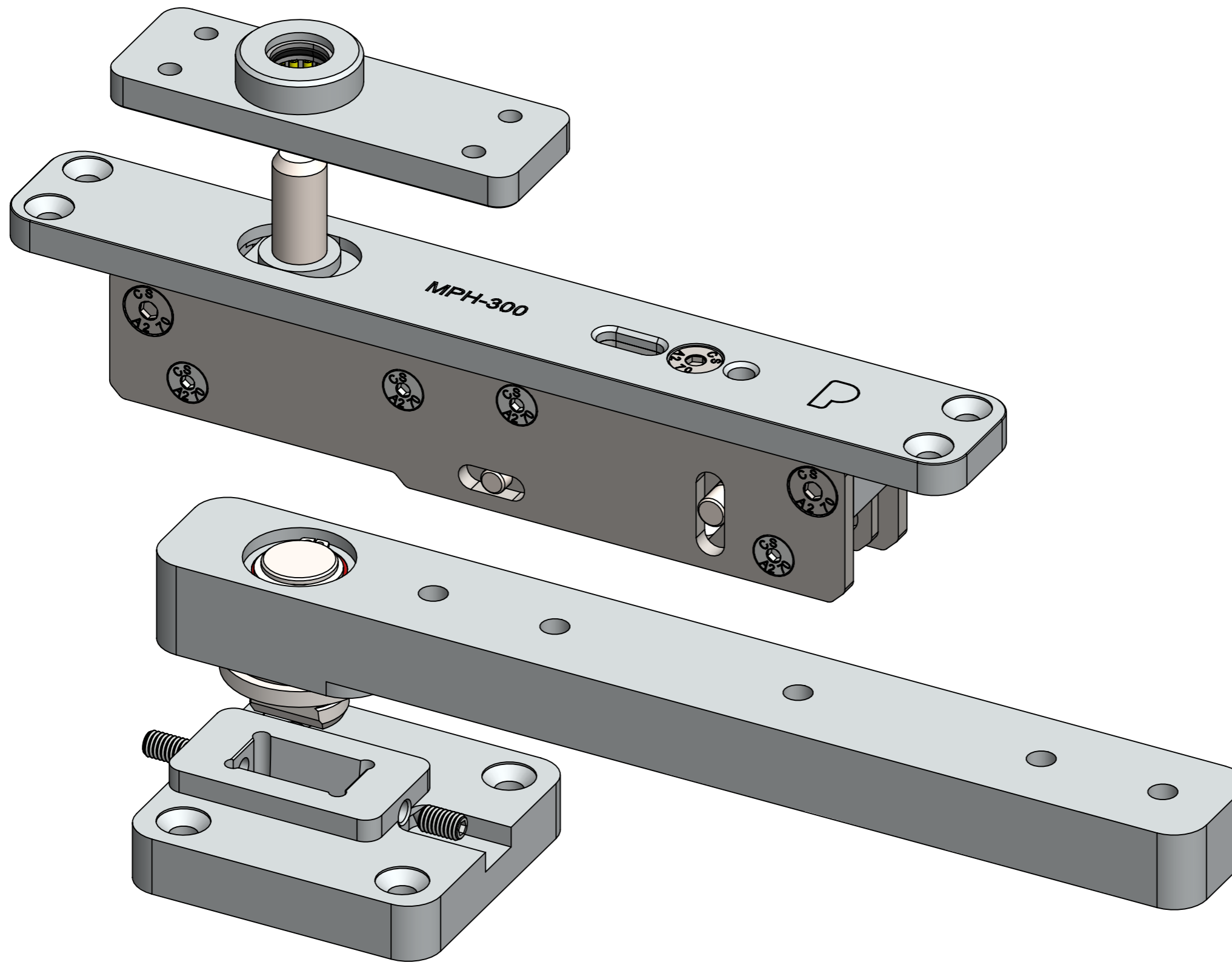
SHEET 5 OF 9

TOLERANCES: LINEAR: ANGULAR:

SCALE: 1:1

**A3**

HINGE PIVOT - MPH-300



**PANIDIS**   
 MAKEDONIKI • ALUMINIUM SYSTEM COMPONENTS

PANIDIS S.A.  
 PRODUCTION OF ALUMINIUM RAILING SYSTEMS & ACCESSORIES  
 TEL: +30 2310 780352-784 519, FAX: +30 2310 783764  
 www.panidis-sa.com e-mail: info@panidis-sa.com

DWG NO.

**MPH-300**

MATERIAL: ANODIZED ALUMINIUM

WEIGHT:

REVISION: DATE:

DO NOT SCALE DRAWING

UNLESS OTHERWISE SPECIFIED:  
 DIMENSIONS ARE IN MILLIMETERS

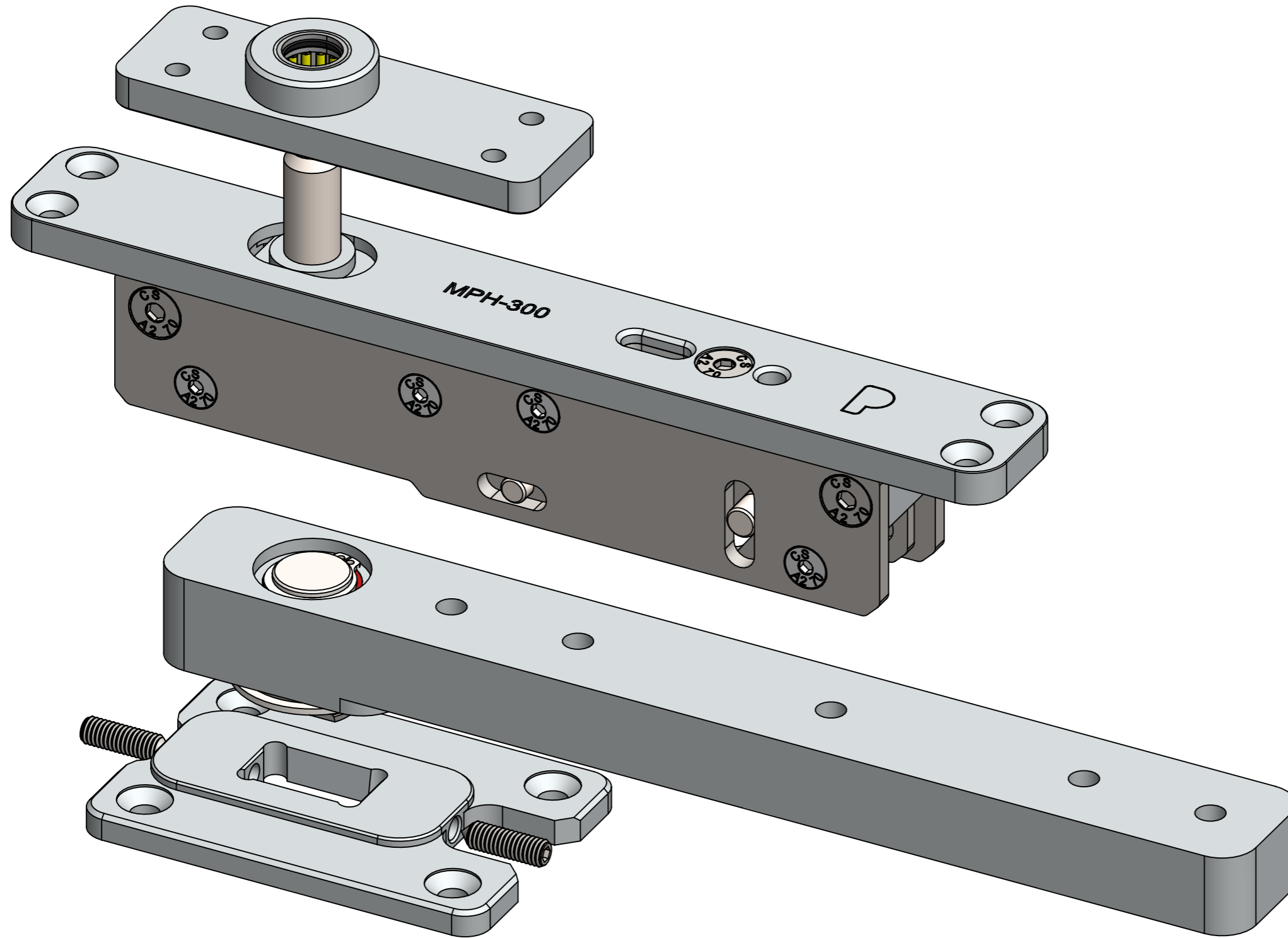
SHEET 6 OF 9

TOLERANCES: LINEAR: ANGULAR:

SCALE: 1:1

**A3**

HINGE PIVOT - MPH-300-S



**PANIDIS**   
 MAKEDONIKI • ALUMINIUM SYSTEM COMPONENTS

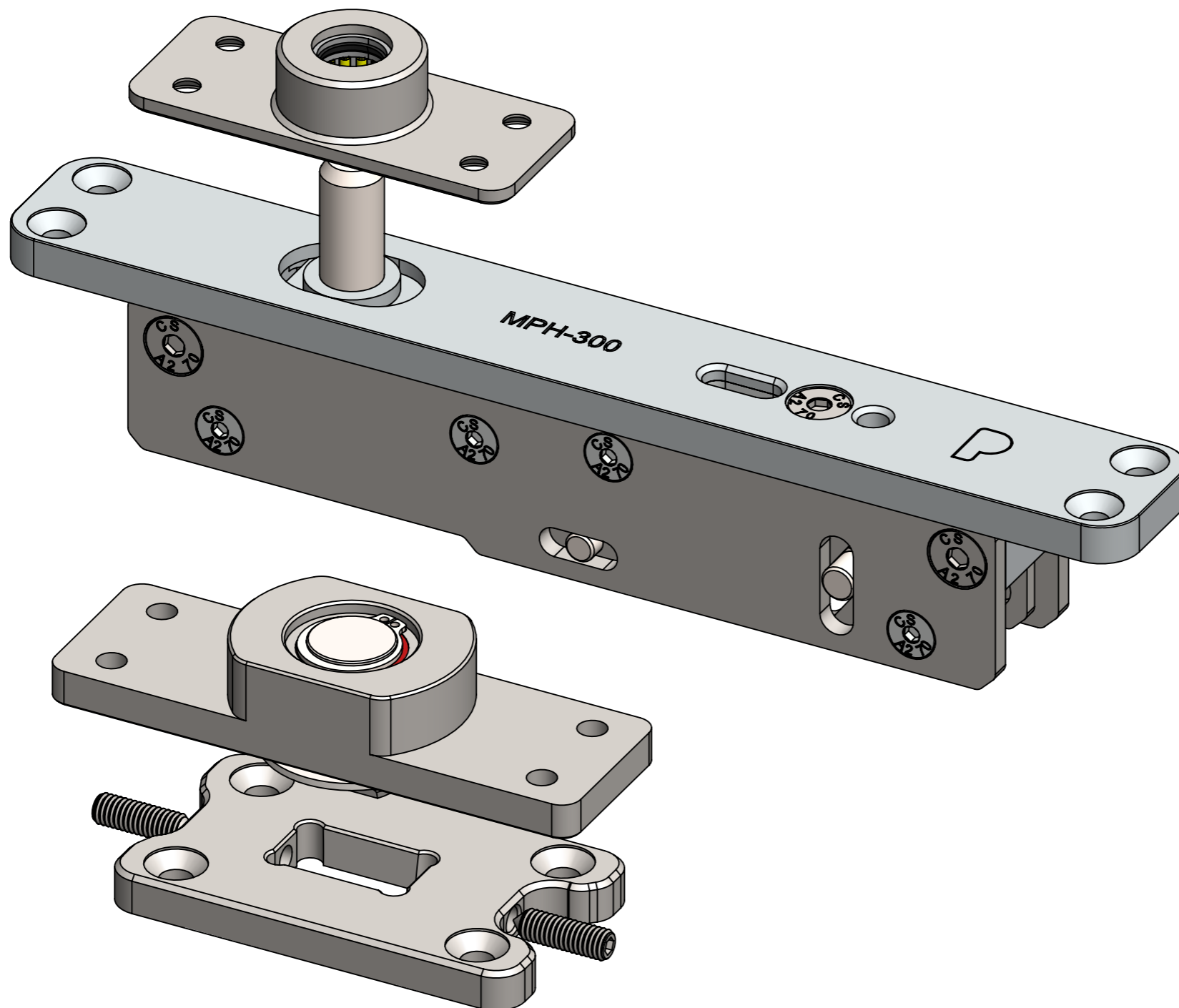
PANIDIS S.A.  
 PRODUCTION OF ALUMINIUM RAILING SYSTEMS & ACCESSORIES  
 TEL: +30 2310 780352-784 519, FAX: +30 2310 783764  
 www.panidis-sa.com e-mail: info@panidis-sa.com

DWG NO.

**MPH-300-S**

MATERIAL: ANODIZED ALUMINIUM	WEIGHT:
REVISION:	DATE:
UNLESS OTHERWISE SPECIFIED: DIMENSIONS ARE IN MILLIMETERS	DO NOT SCALE DRAWING
TOLERANCES: LINEAR: ANGULAR:	SHEET 7 OF 9 SCALE: 1:1

**A3**



**PANIDIS**   
 MAKEDONIKI • ALUMINIUM SYSTEM COMPONENTS

PANIDIS S.A  
 PRODUCTION OF ALUMINIUM RAILING SYSTEMS & ACCESSORIES  
 TEL: +30 2310 780352-784 519, FAX: +30 2310 783764  
 www.panidis-sa.com e-mail: info@panidis-sa.com

DWG NO.

**MPH-300-B**

MATERIAL: ANODIZED ALUMINIUM

WEIGHT:

REVISION: DATE:

DO NOT SCALE DRAWING

UNLESS OTHERWISE SPECIFIED:  
 DIMENSIONS ARE IN MILLIMETERS

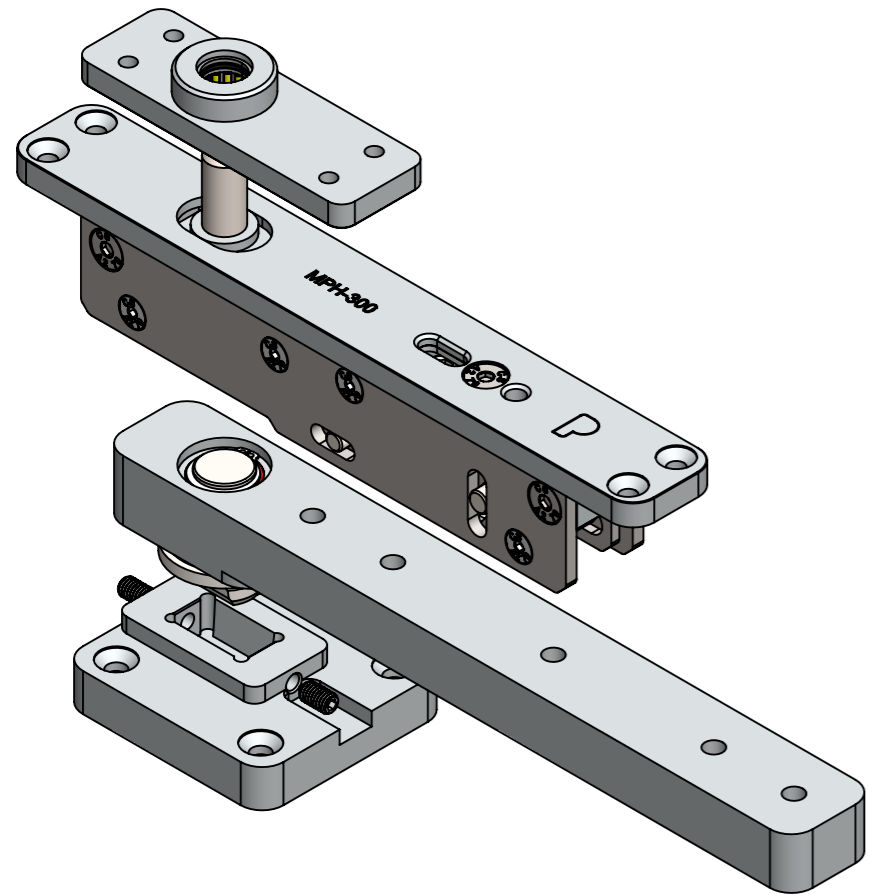
SHEET 8 OF 9

TOLERANCES: LINEAR: ANGULAR:

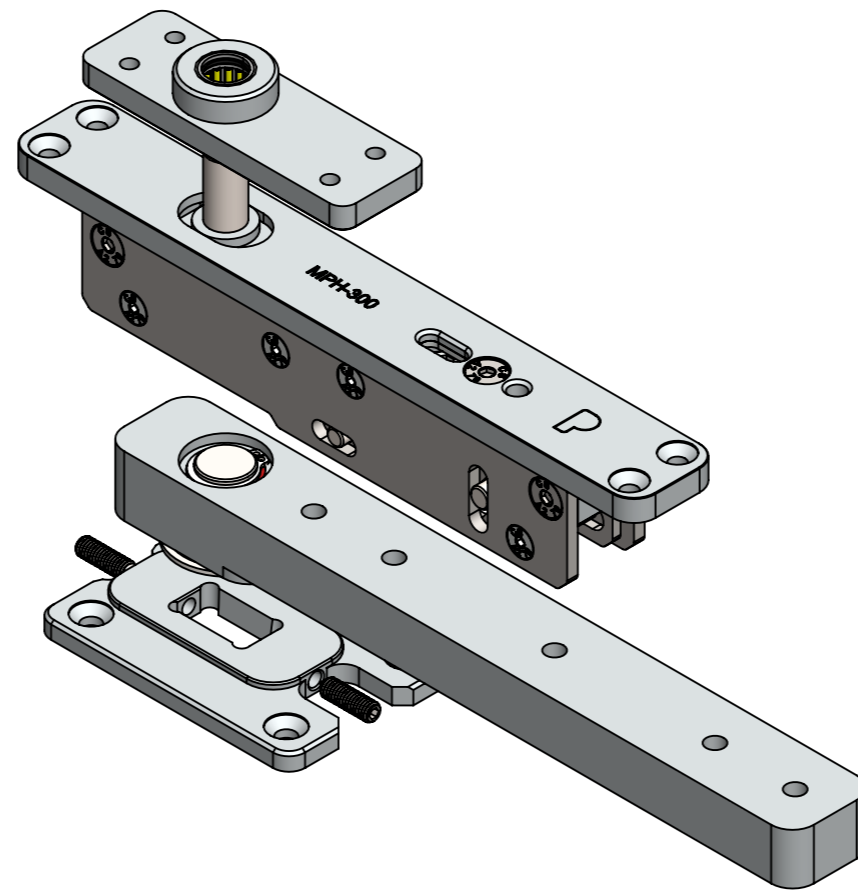
SCALE: 1:1

**A3**

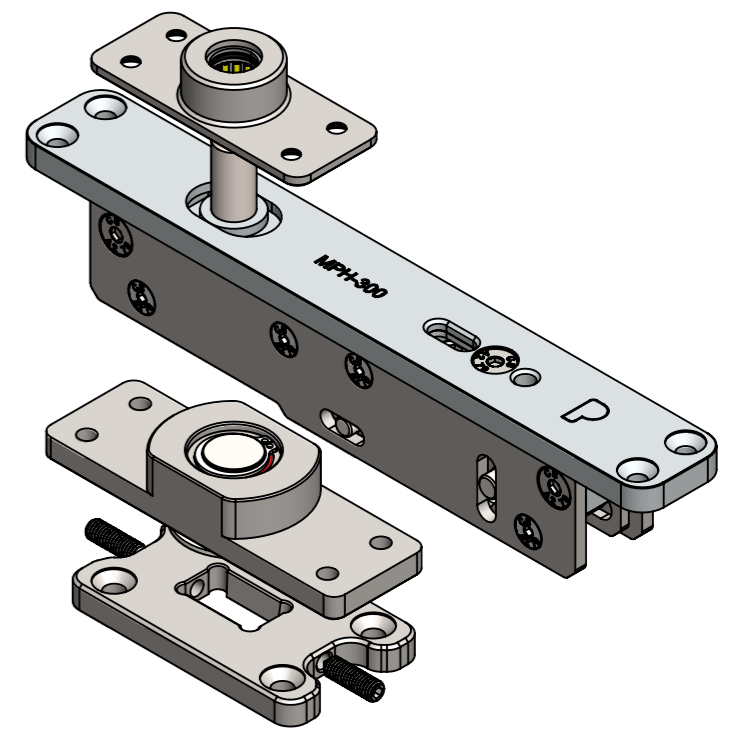




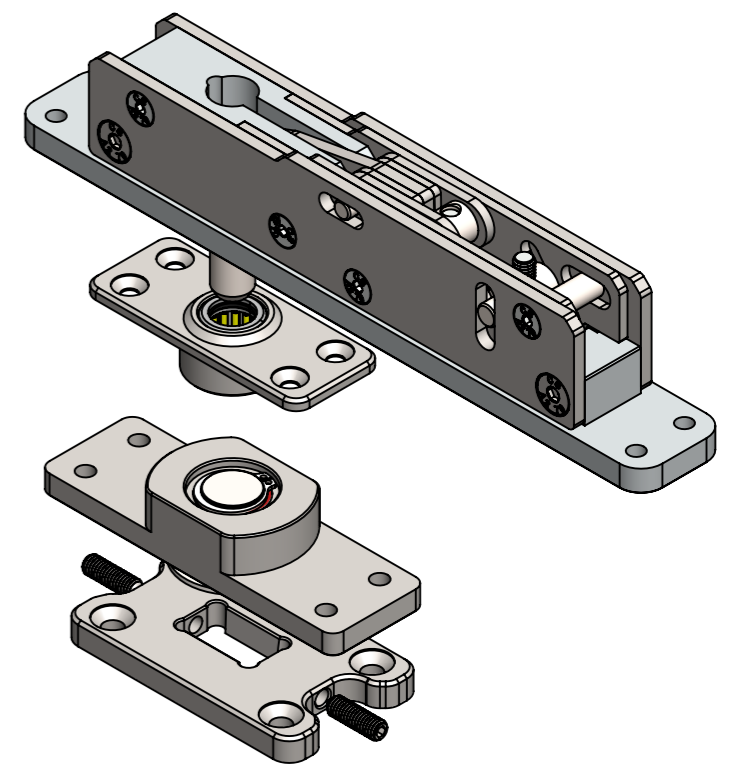
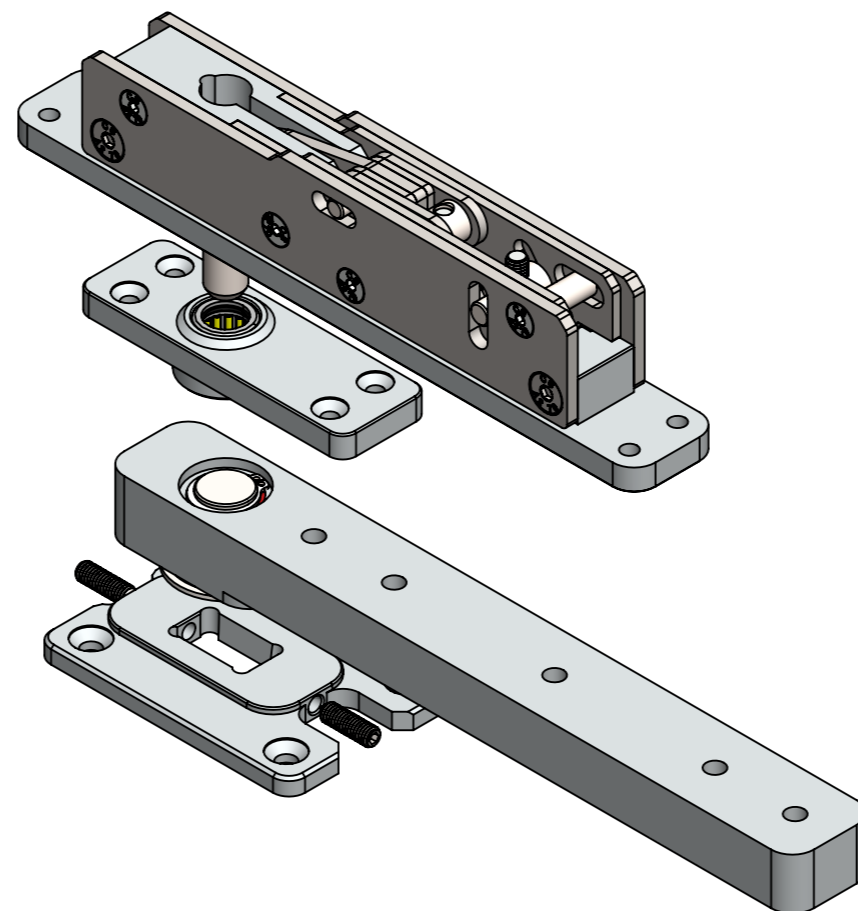
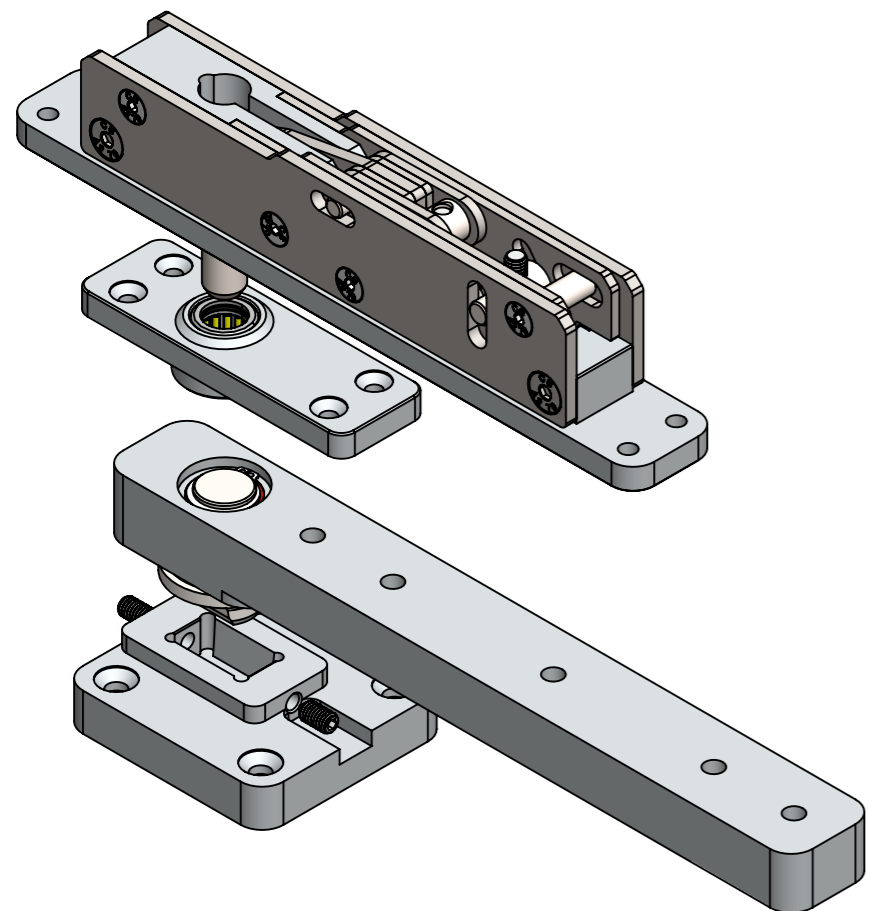
MPH-300



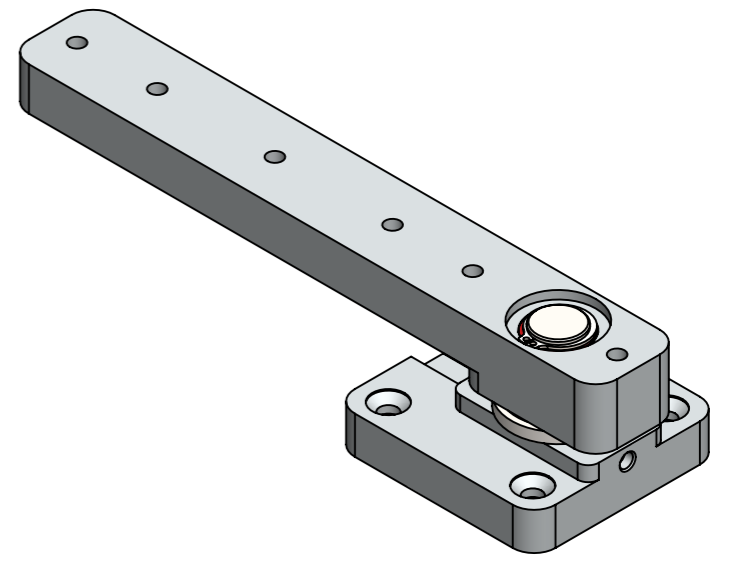
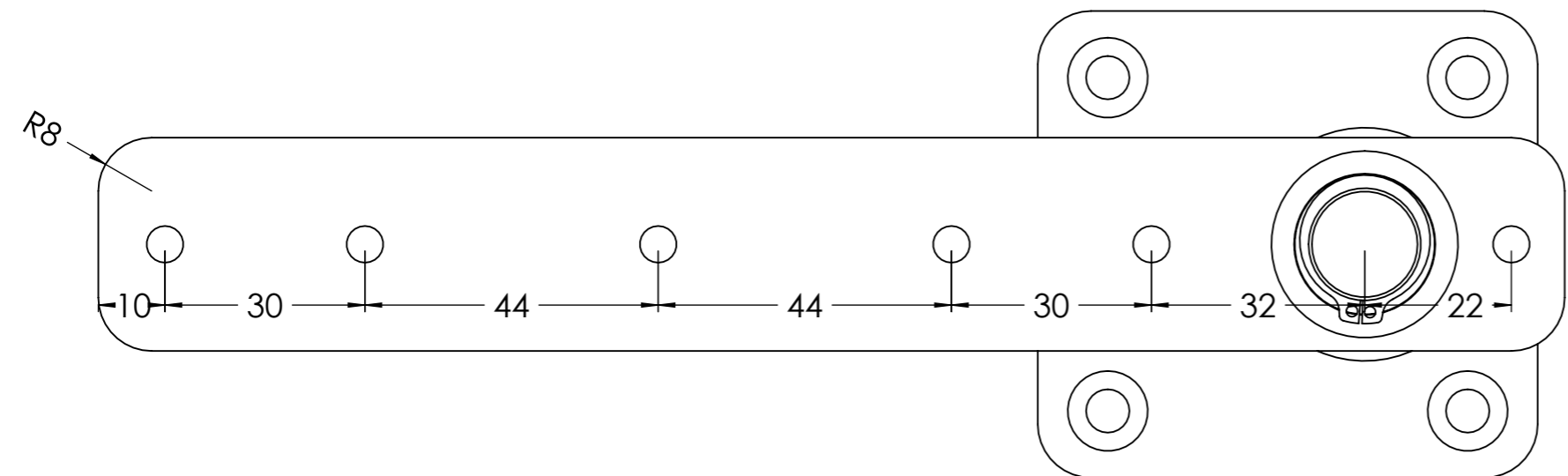
MPH-300-S



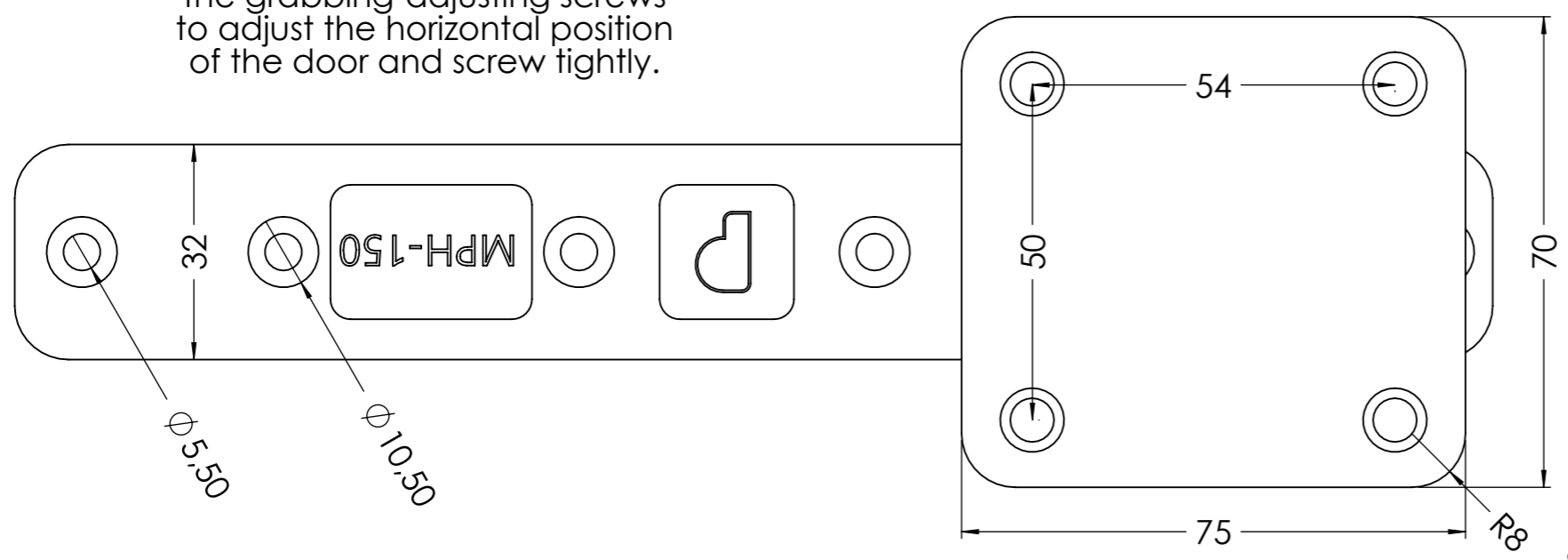
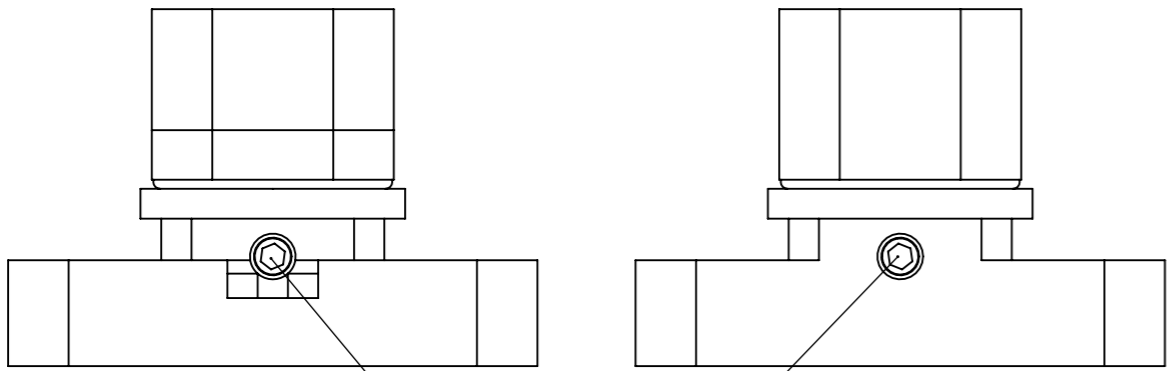
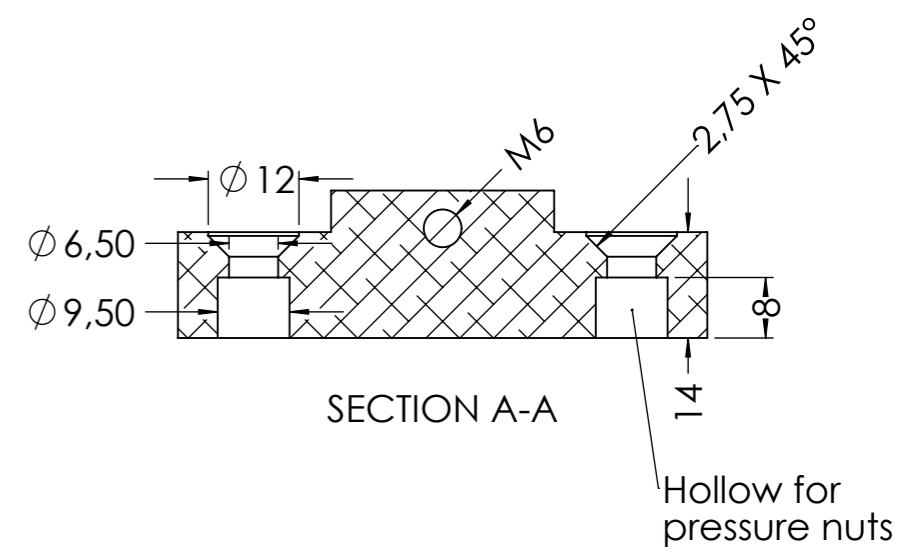
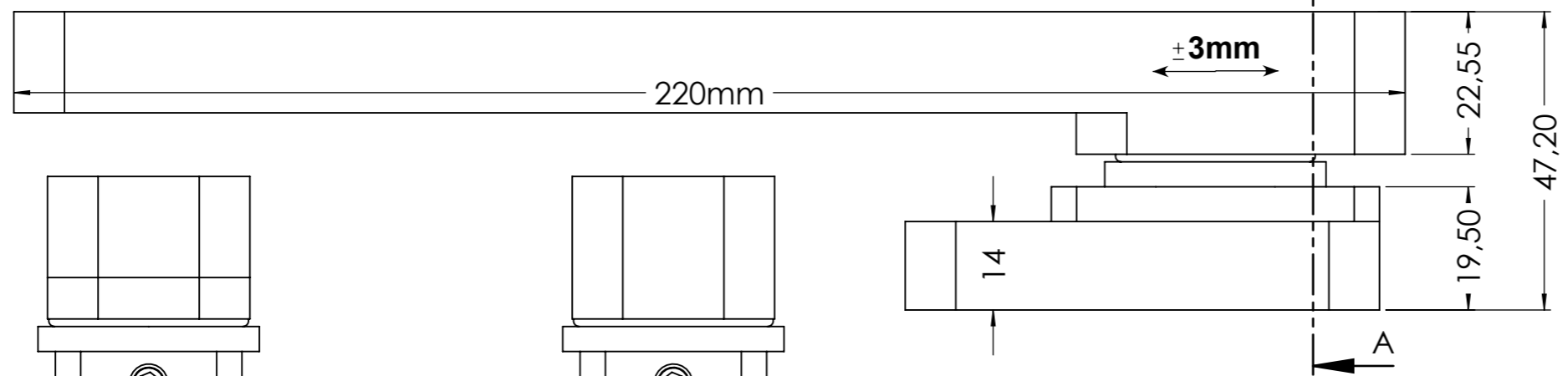
MPH-300-B




# HINGE PIVOT - MPH-150



SCALE 1 : 2

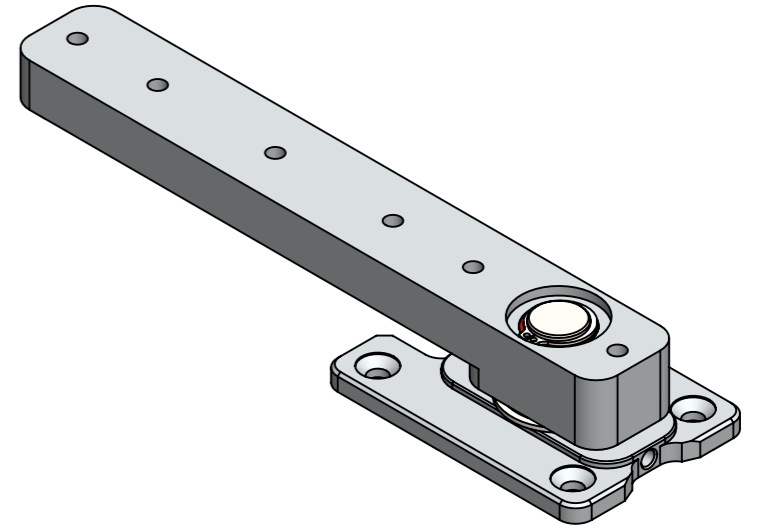
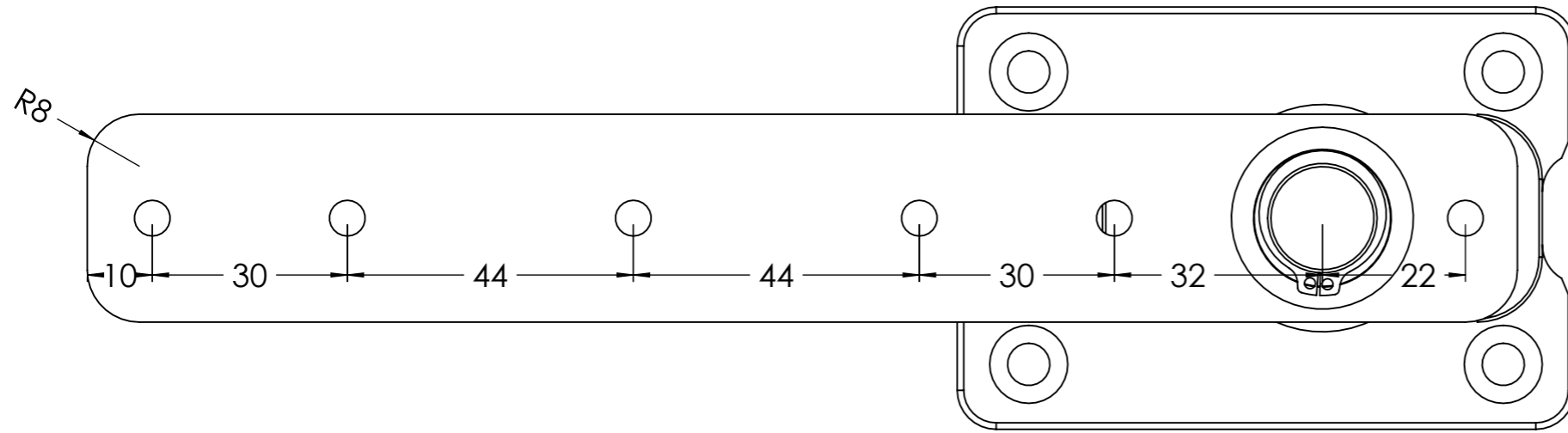


Copyright Panidis SA. All rights reserved.

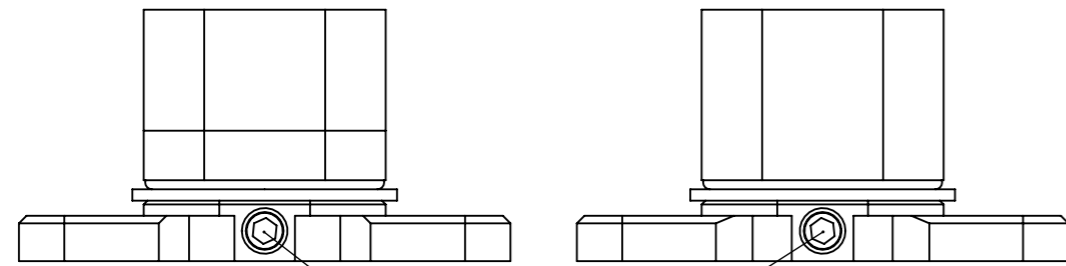
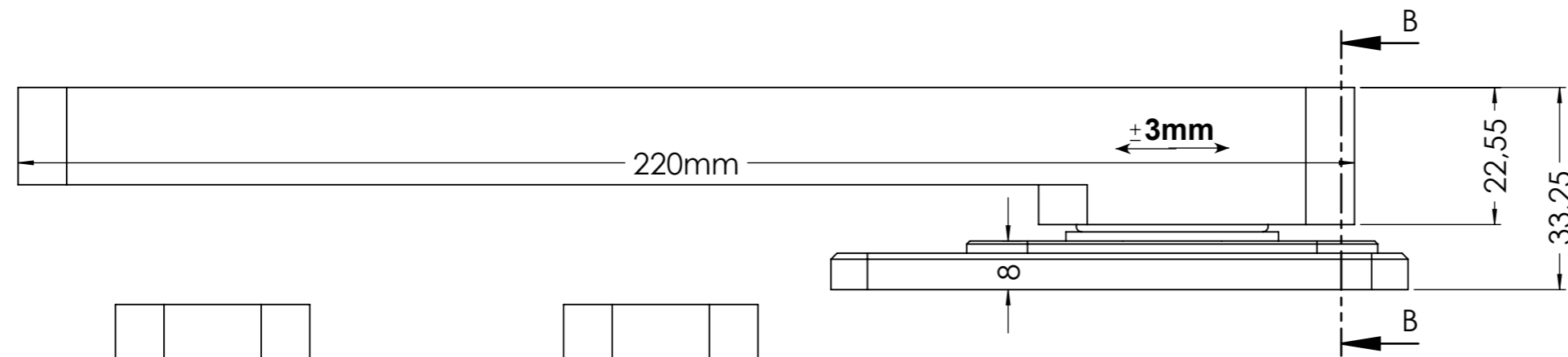
 <p><b>PANIDIS</b> MAKEDONIKI • ALUMINIUM SYSTEM COMPONENTS</p>	
<p><b>PANIDIS S.A</b> PRODUCTION OF ALUMINIUM RAILING SYSTEMS &amp; ACCESSORIES TEL: +30 2310 780352-784 519, FAX: +30 2310 783764 www.panidis-sa.com e-mail: info@panidis-sa.com</p>	
DWG NO.	
<h2>MPH-151</h2>	
MATERIAL: ANODIZED ALUMINIUM	WEIGHT:
REVISION:	DATE: 30/11/2020
DO NOT SCALE DRAWING	
UNLESS OTHERWISE SPECIFIED: DIMENSIONS ARE IN MILLIMETERS	
SHEET 1 OF 9	
TOLERANCES: LINEAR:	ANGULAR:
SCALE: 1:1	

A3

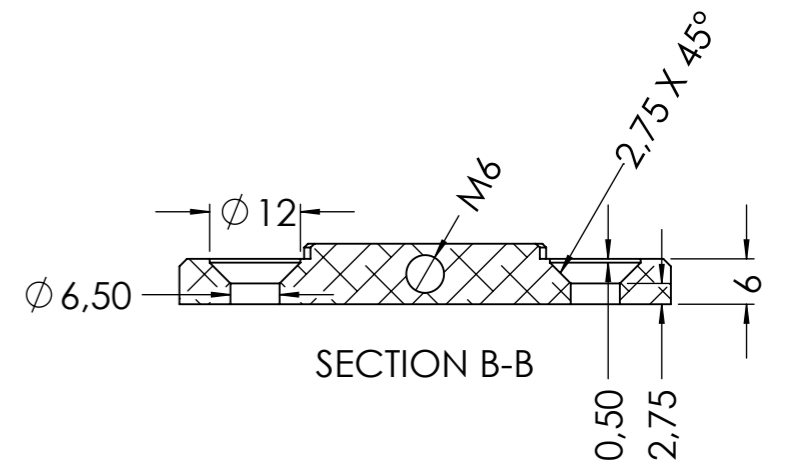
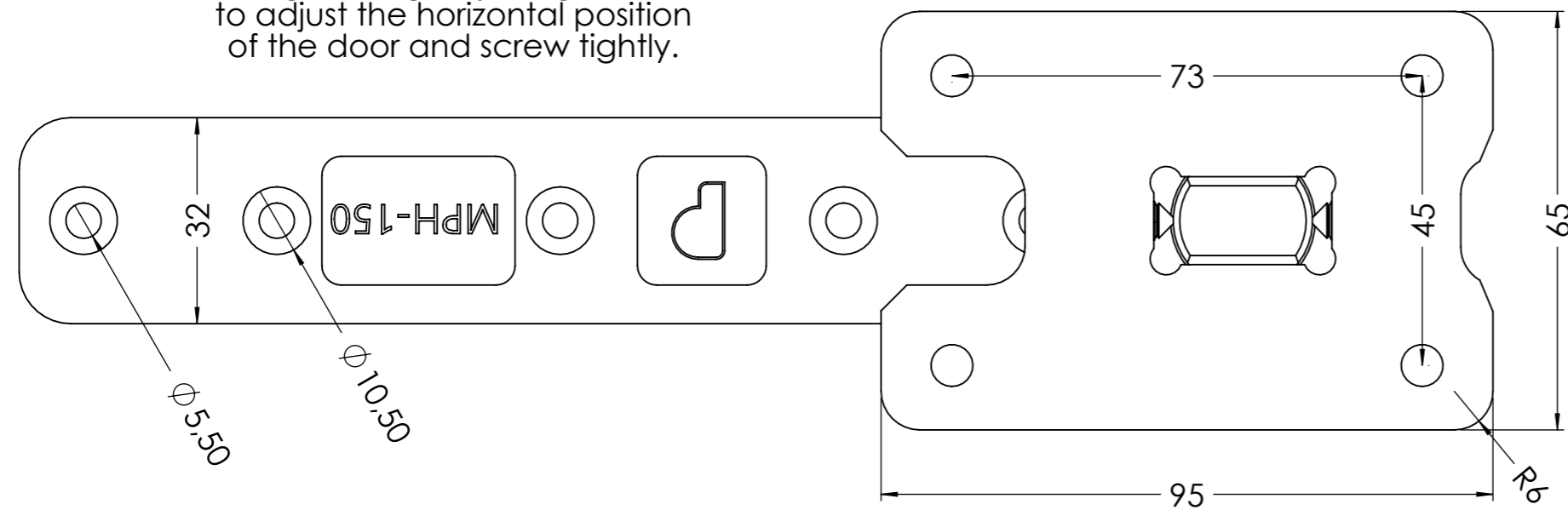
# HINGE PIVOT - MPH-150 Slim Base




SCALE 1 : 2

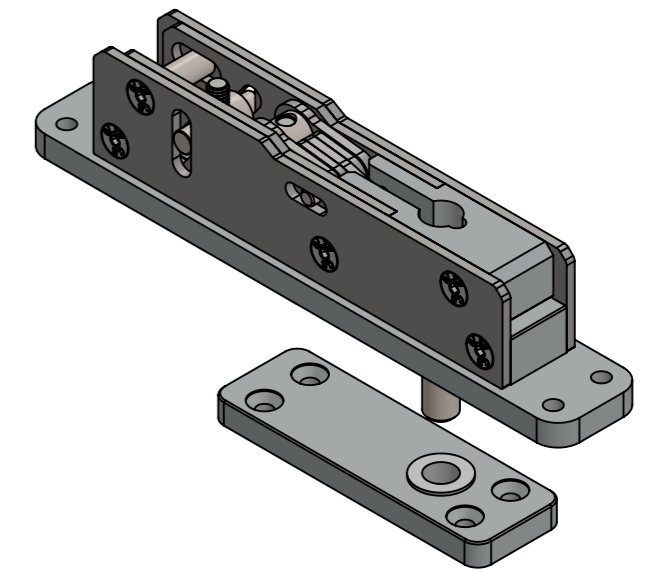
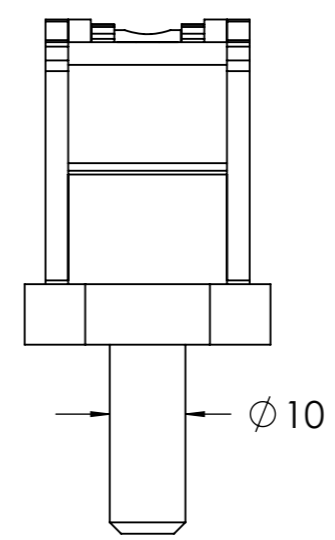
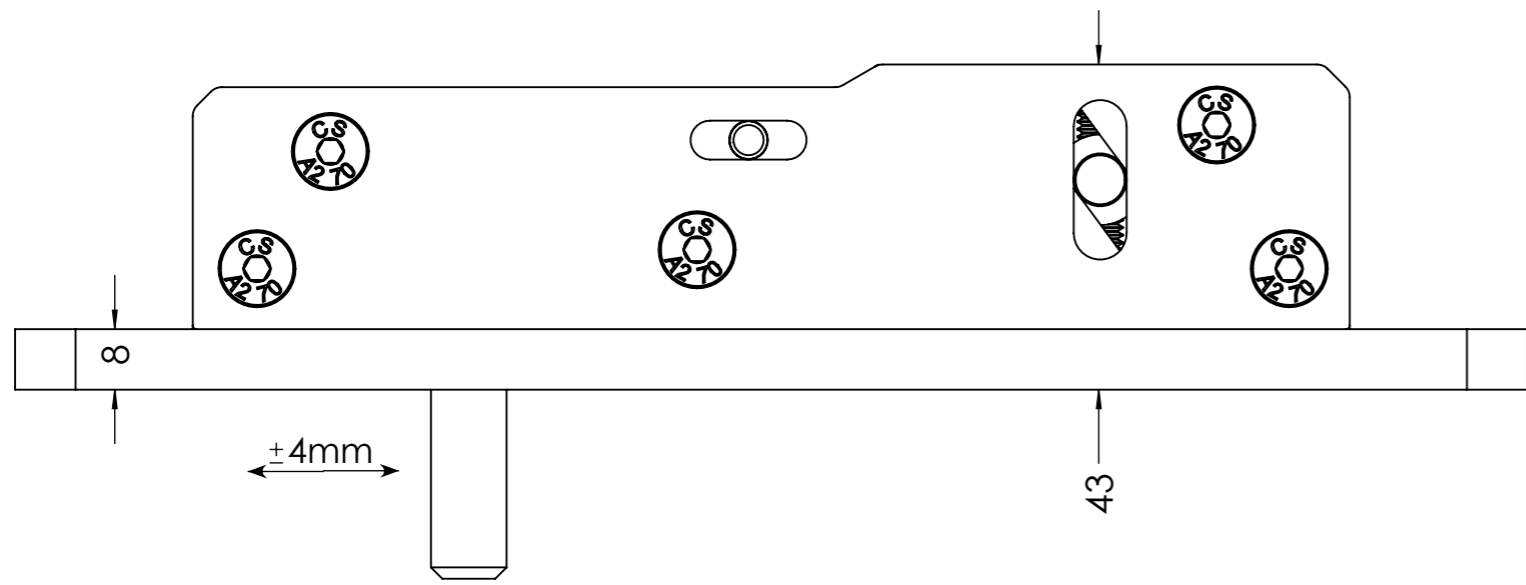


tighten-untighten  
the grabbing-adjusting screws  
to adjust the horizontal position  
of the door and screw tightly.

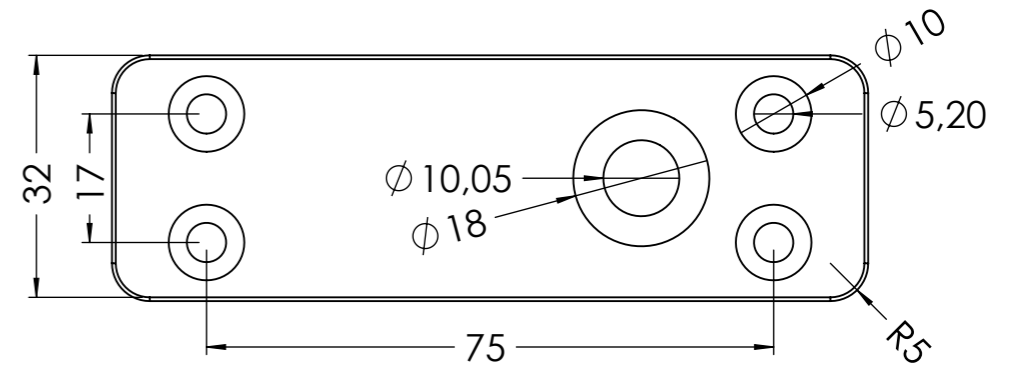
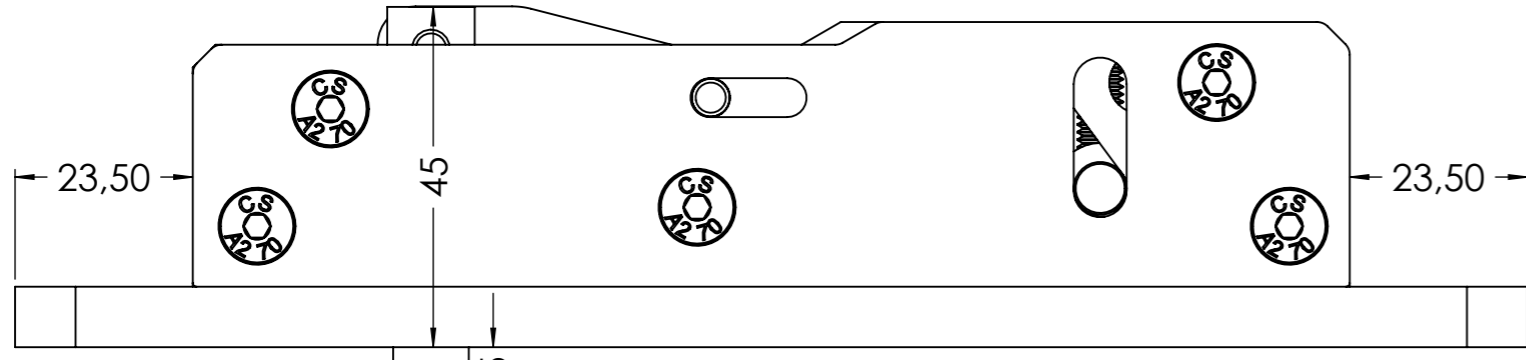


 <p><b>PANIDIS</b> MAKEDONIKI • ALUMINIUM SYSTEM COMPONENTS</p>	
<p><b>PANIDIS S.A</b> PRODUCTION OF ALUMINIUM RAILING SYSTEMS &amp; ACCESSORIES TEL: +30 2310 780352-784 519, FAX: +30 2310 783764 www.panidis-sa.com e-mail: info@panidis-sa.com</p>	
DWG NO.	
<h2>MPH-151S</h2>	
MATERIAL: ANODIZED ALUMINIUM	WEIGHT:
REVISION:	DATE: 30/11/2020
DO NOT SCALE DRAWING	
UNLESS OTHERWISE SPECIFIED: DIMENSIONS ARE IN MILLIMETERS	
SHEET 2 OF 9	
TOLERANCES:	LINEAR: ANGULAR:
SCALE: 1:1	

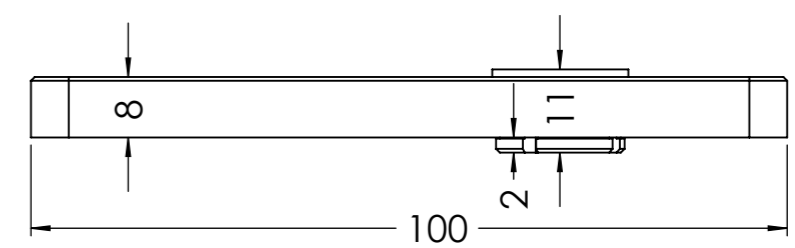
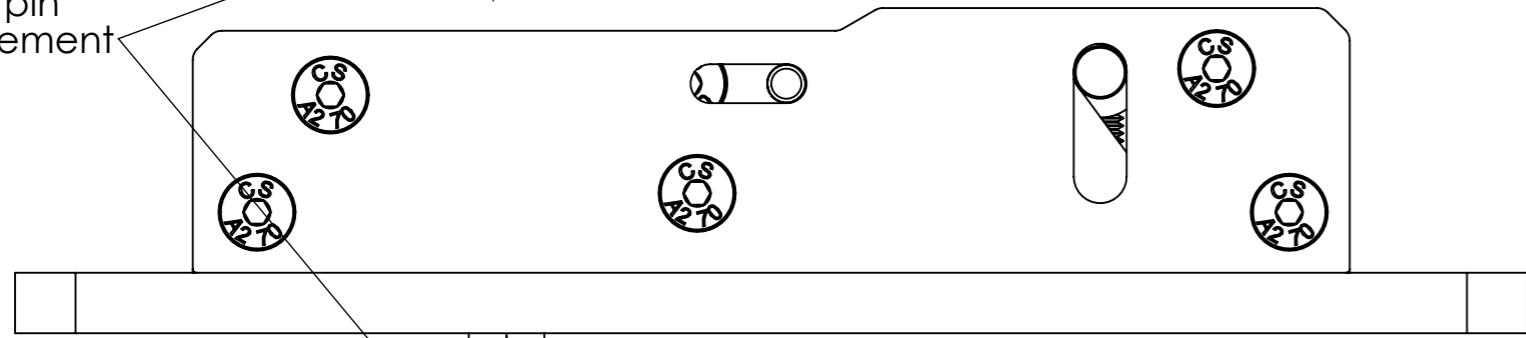
# HINGE PIVOT - MPH-150



SCALE 1 : 2



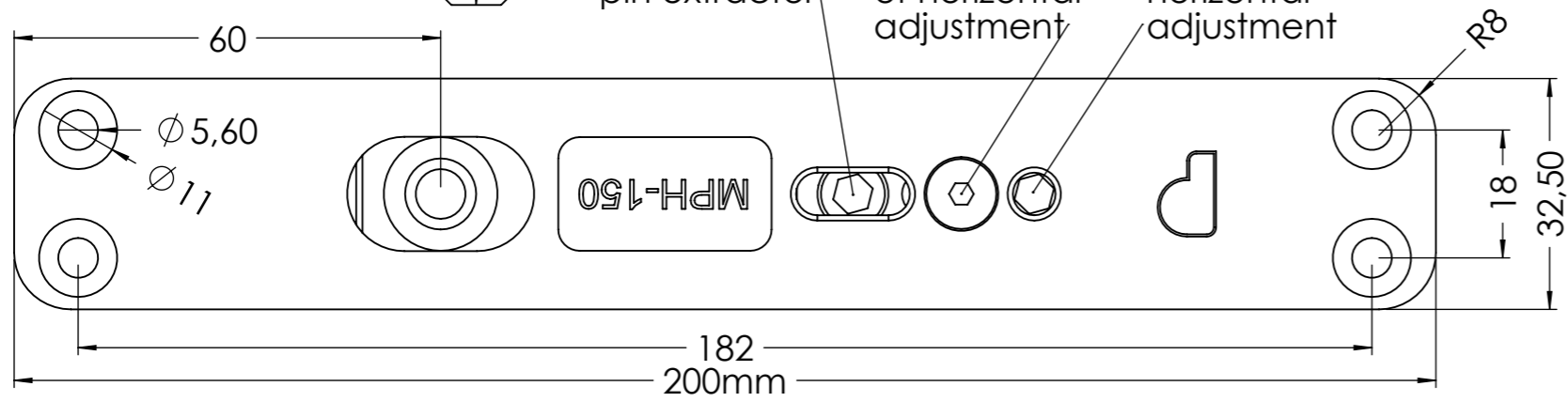
max pin movement



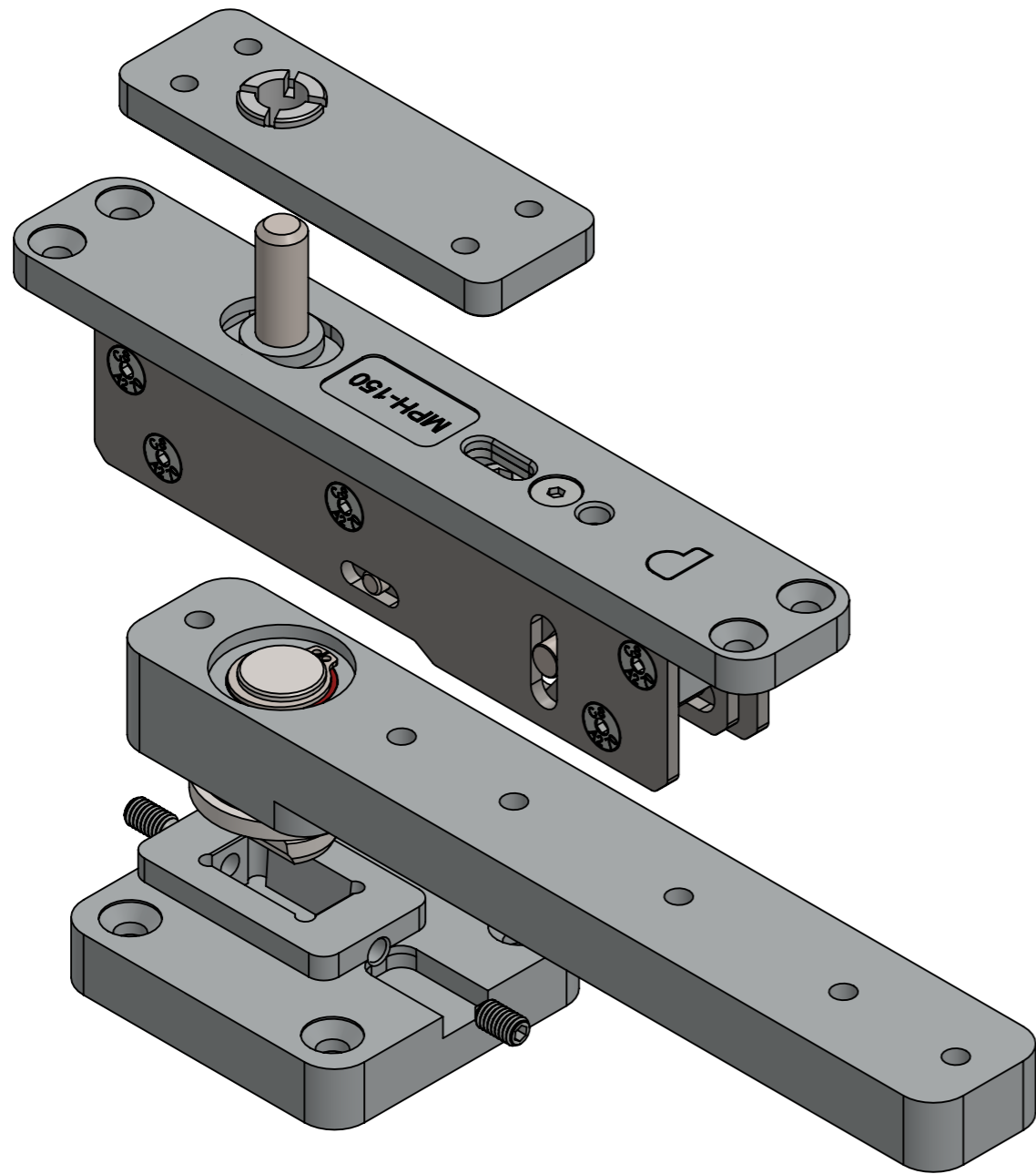
STEP 1  
screw of  
pin extractor

STEP 3  
locking screw  
of horizontal  
adjustment

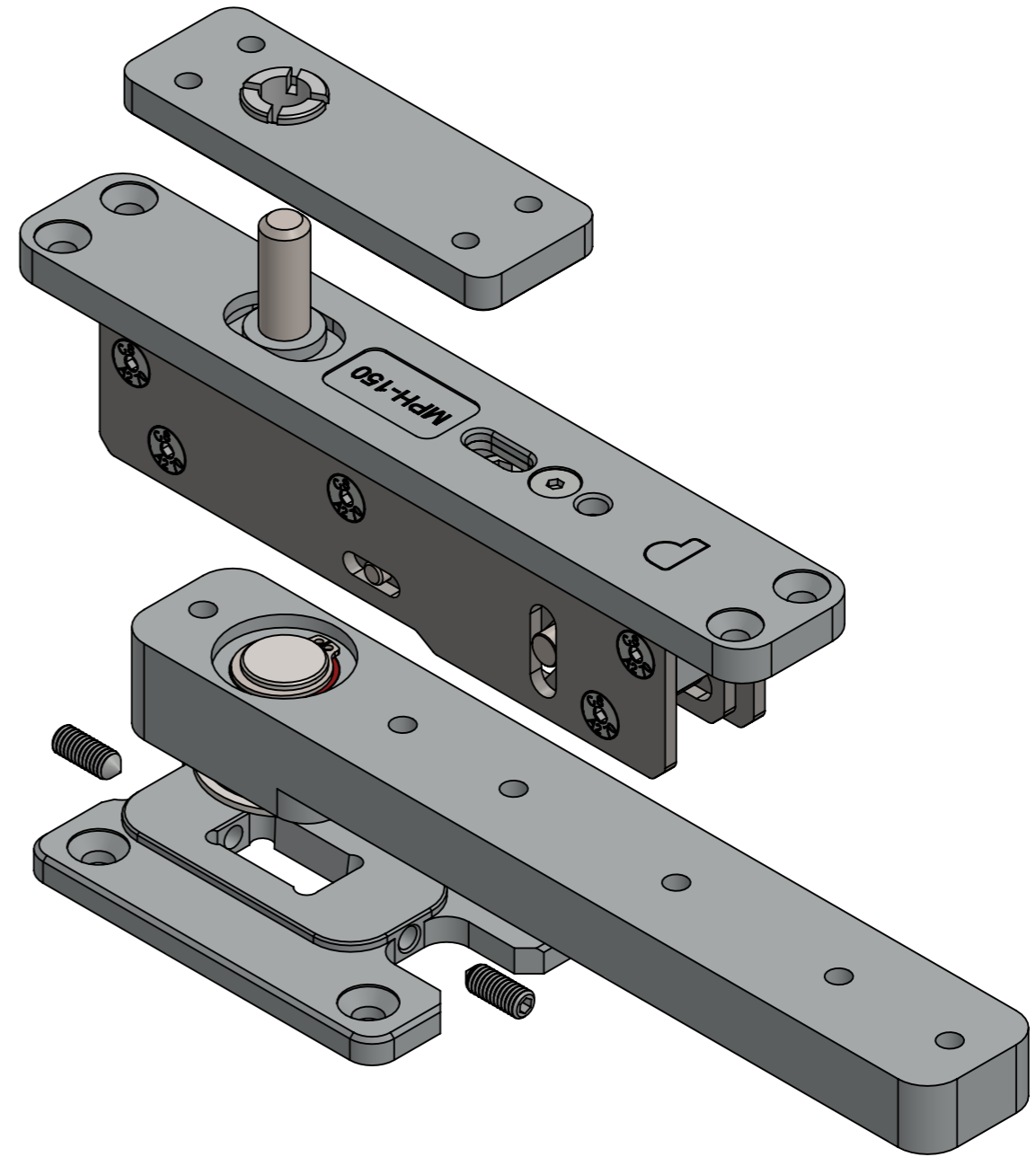
STEP 2  
screw of  
horizontal  
adjustment



<b>PANIDIS</b> <small>MAKEDONIKI • ALUMINIUM SYSTEM COMPONENTS</small>	
<small>PANIDIS S.A. PRODUCTION OF ALUMINIUM RAILING SYSTEMS &amp; ACCESSORIES TEL: +30 2310 780352-784 519, FAX: +30 2310 783764 www.panidis-sa.com e-mail: info@panidis-sa.com</small>	
DWG NO.	
<b>MPH-152</b>	
<b>MATERIAL: ANODIZED ALUMINIUM</b>	WEIGHT:
REVISION:	DATE: 30/11/2020
DO NOT SCALE DRAWING	
UNLESS OTHERWISE SPECIFIED: DIMENSIONS ARE IN MILLIMETERS	
SHEET 3 OF 9	
TOLERANCES:	LINEAR: ANGULAR:
SCALE: 1:1	



**MPH-150**



**MPH-150S**

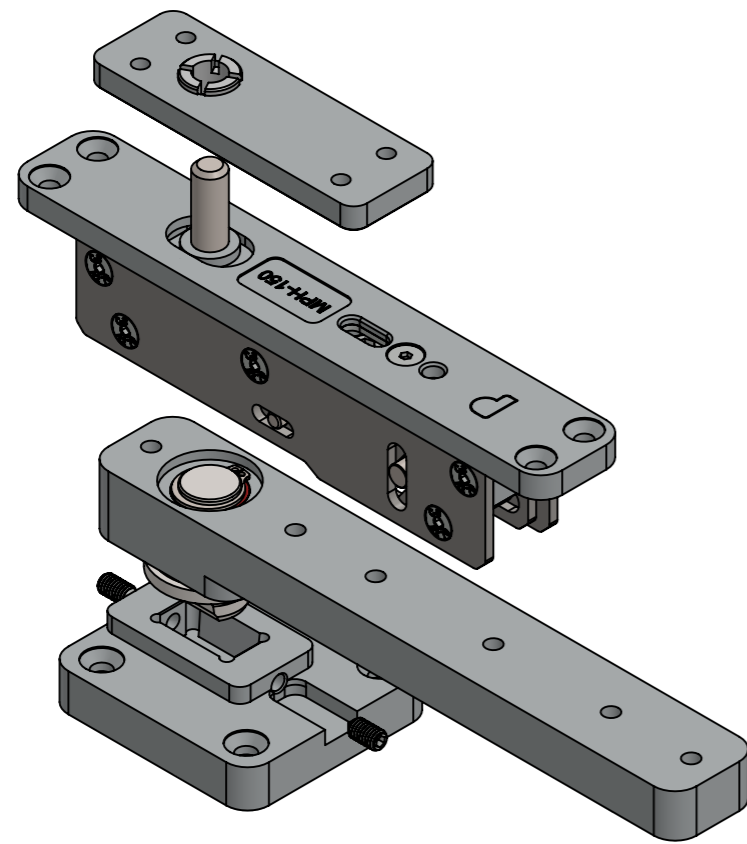


**PANIDIS S.A**  
 PRODUCTION OF ALUMINIUM RAILING SYSTEMS & ACCESSORIES  
 TEL: +30 2310 780352-784 519, FAX: +30 2310 783764  
 www.panidis-sa.com e-mail: info@panidis-sa.com

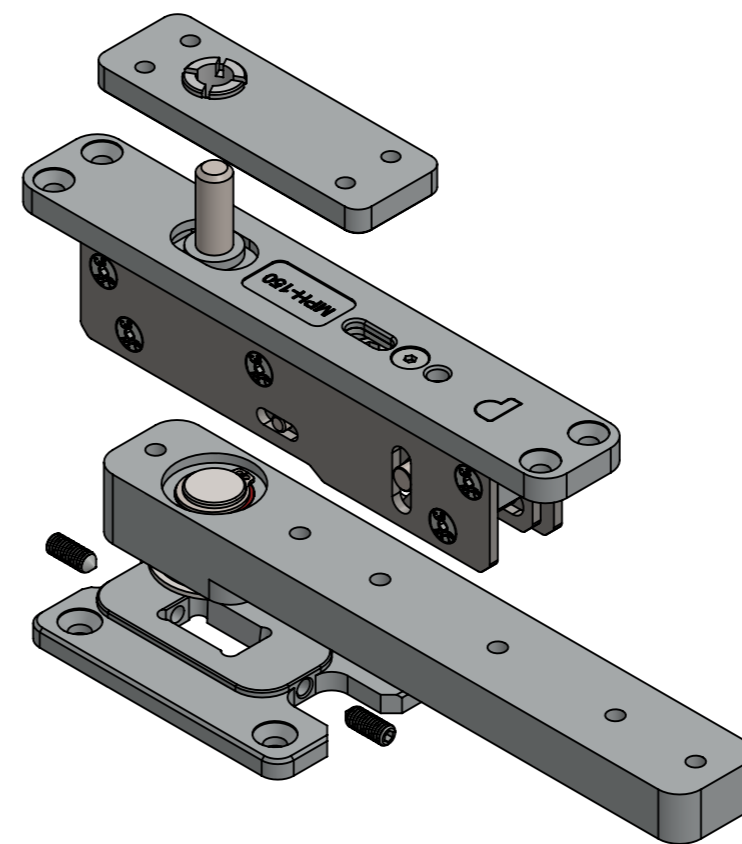
DWG NO. **MPH-150 & MPH-150S**  
**Overview**

<b>MATERIAL:</b> ANODIZED ALUMINIUM	WEIGHT:
REVISION:	DATE: 30/11/2020
UNLESS OTHERWISE SPECIFIED: DIMENSIONS ARE IN MILLIMETERS	DO NOT SCALE DRAWING
TOLERANCES: LINEAR: ANGULAR:	SHEET 4 OF 9 SCALE:

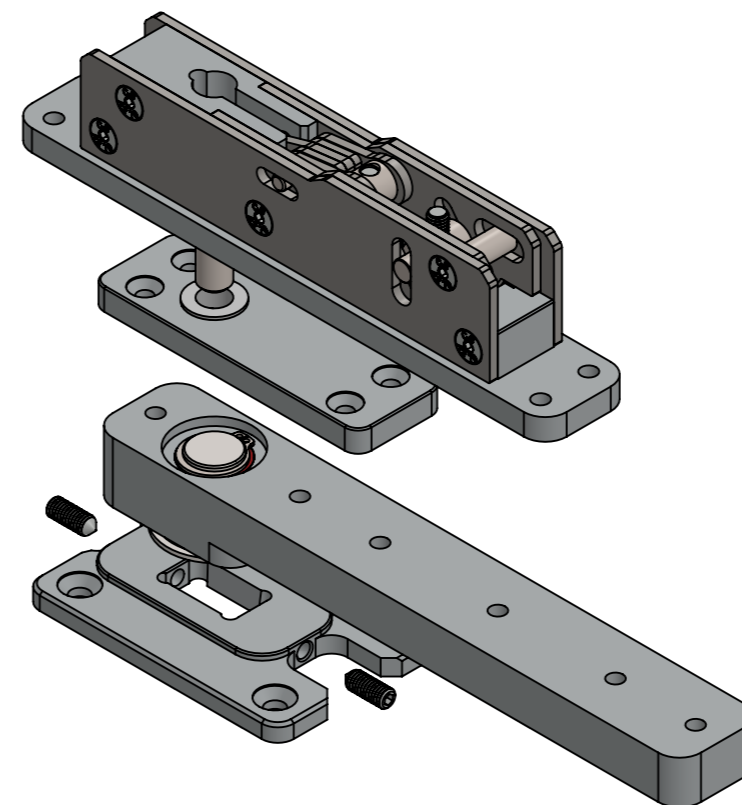
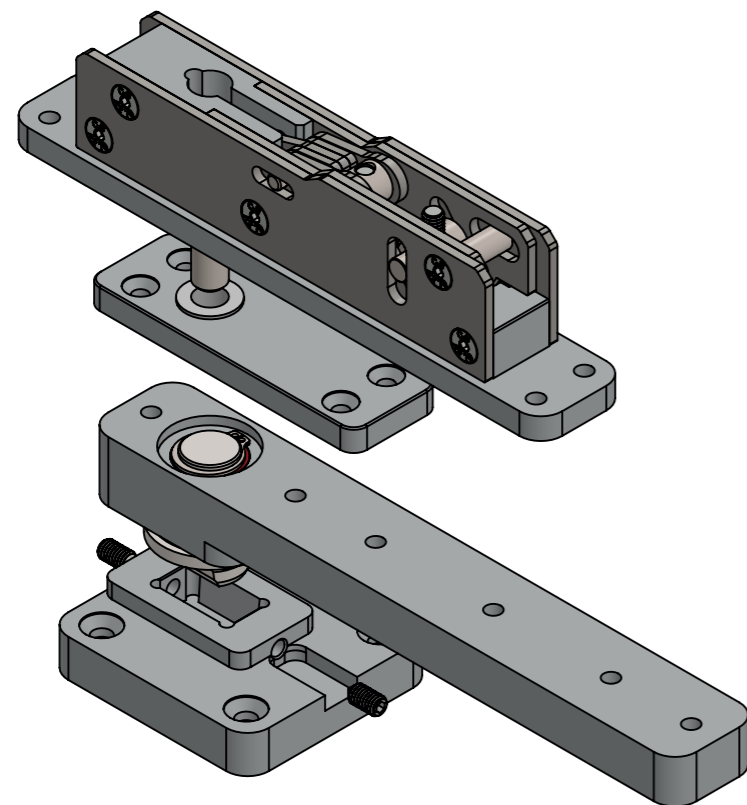
# HINGE PIVOT - MPH-150 & MPH-150S



**MPH-150**



**MPH-150S**



**PANIDIS**   
 MAKEDONIKI • ALUMINIUM SYSTEM COMPONENTS

**PANIDIS S.A**  
 PRODUCTION OF ALUMINIUM RAILING SYSTEMS & ACCESSORIES  
 TEL: +30 2310 780352-784 519, FAX: +30 2310 783764  
 www.panidis-sa.com e-mail: info@panidis-sa.com

DWG NO. **MPH-150 & MPH-150S**  
**Overview**

<b>MATERIAL:</b> ANODIZED ALUMINIUM	WEIGHT:
REVISION:	DATE: 30/11/2020
UNLESS OTHERWISE SPECIFIED: DIMENSIONS ARE IN MILLIMETERS	DO NOT SCALE DRAWING
TOLERANCES: LINEAR: ANGULAR:	SHEET 7 OF 9
	SCALE:

**A3**