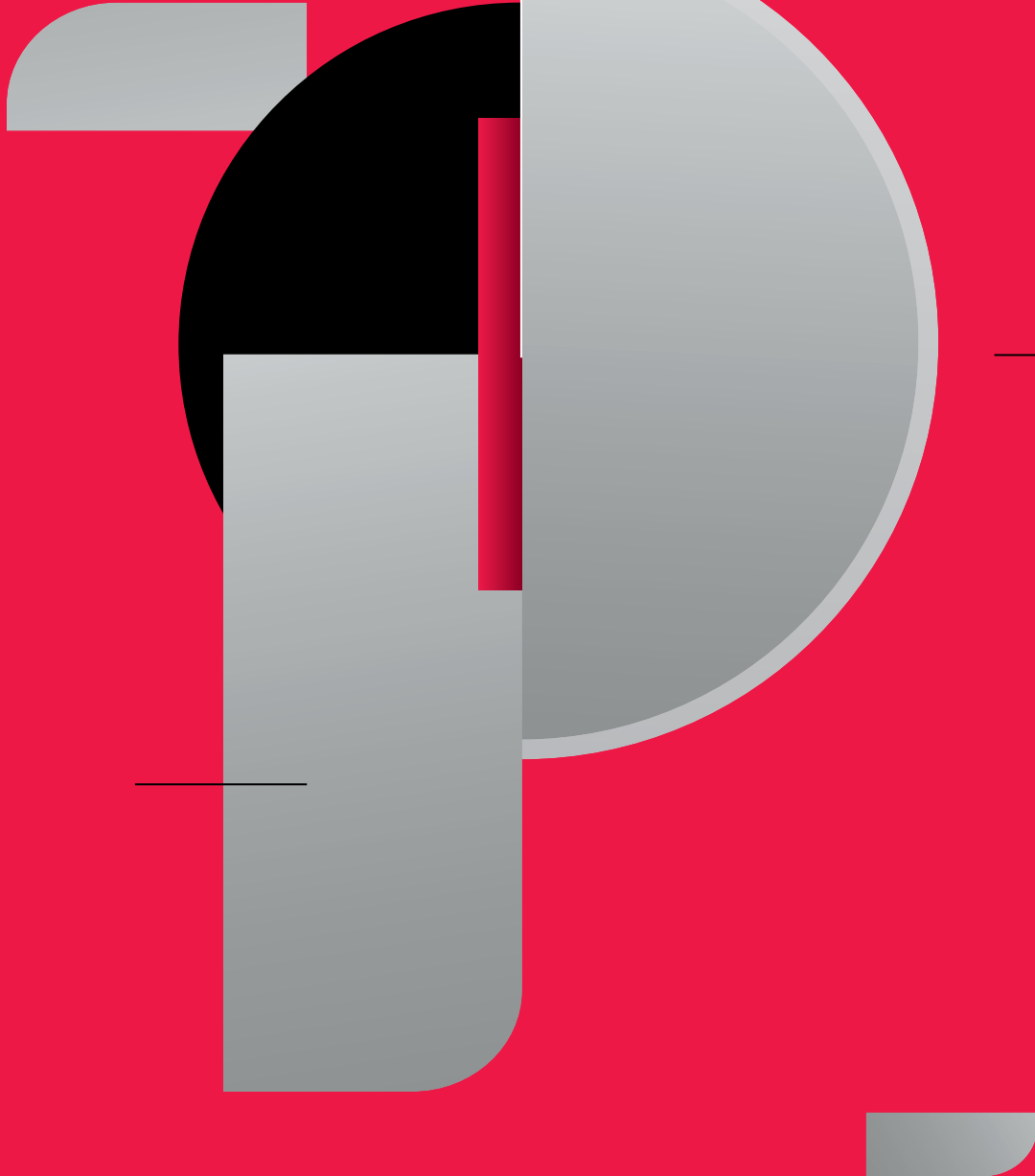


PRODUCT
CATALOGUE
2024

PANIDIS
ARCHITECTURAL HARDWARE SOLUTIONS



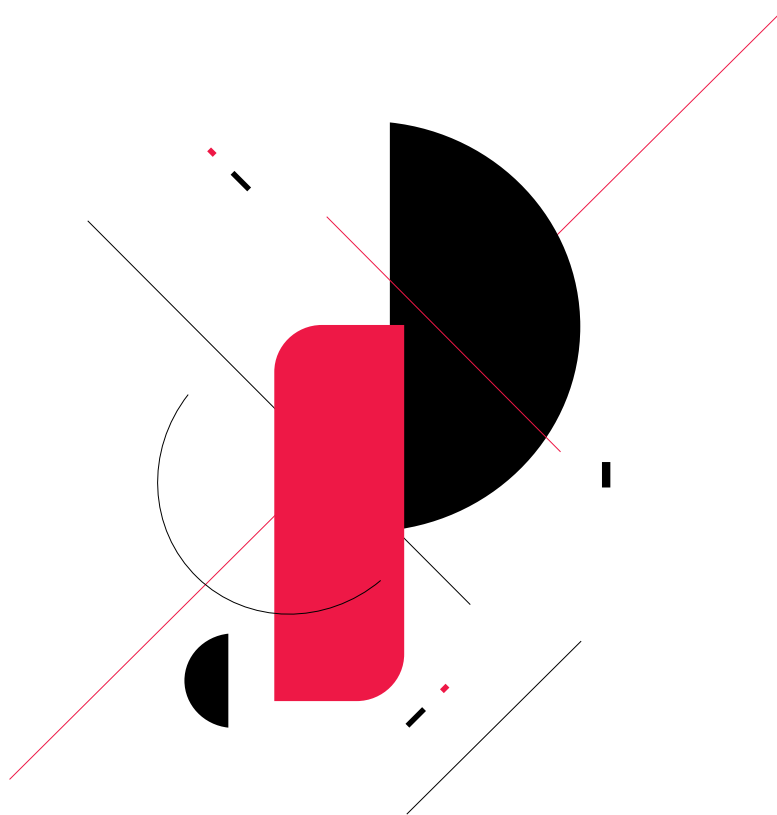


INDEX



PAGE

○ HISTORY	05
○ GLASS DOORS & ACCESSORIES	07
○ SHOWERING SYSTEMS & ACCESSORIES	25
○ RAILINGS & BALLUSTRADES	33
○ PIVOT MECHANISMS	45
○ CONCEALED HINGES	53
○ PIVOTING HANDLES	57
○ PULL HANDLES	69
○ CUSTOM SOLUTIONS	77



HISTORY



1974

PANIDIS SA is founded by Mr. G. Panidis



1985

Market Introduction of Aluminum Railings System (MAK SYSTEM by PANIDIS SA)



1993

Establishment of Athens Premises (Warehouse & Showroom)



1995

Upgrade production capacity of Architectural Aluminum components



2000

Expansion of Headquarters premises with additional 3.500 m²

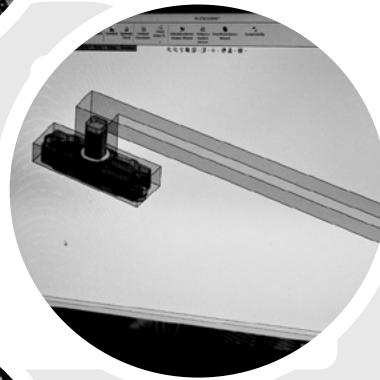


2002

Installation of powder coating plant

2006

Investment in CNC Machining Centers



2007

Enlarge Market penetration by developing Custom Made Solutions

2009

Installation of new state-of-art Anodization Plant



2014

Launching new glass fittings portfolio

2018

Expand production capacity/ additional investment in new CNC Machining Centers



GLASS DOOR SYSTEM & ACCESSORIES



CONTENTS

PAGES

● GLASS PANEL DOORS & ACCESSORIES

8 - 24

○	GF-10	GLASS DOOR FRAME SYSTEM
○	GF-10-M	MINIMAL GLASS DOOR FRAME SYSTEM
○	GF-20	GLASS DIVIDER SYSTEM

● LOCKS & ACCESSORIES

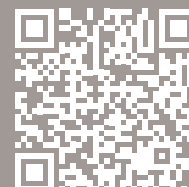
○	GL-100	MAGNETIC LOCK
○	GL-102	MAGNETIC STRIKE PLATE FOR FRAME
○	GL-101	MAGNETIC STRIKE PLATE FOR GLASS PANEL
○	GL-104	MAGNETIC STRIKE PLATE UNIVERSAL
○	GL-50	DOOR HOLDER
○	GL-51	DOOR CLIP
○	GL-52	DOOR CLIP UNIVERSAL

● HINGES

○	GH-10	HINGE GLASS - FRAME
○	GH-20	HINGE GLASS - GLASS
○	GH-30	HINGE GLASS - WALL
○	GH-30-S	HINGE GLASS - WALL
○	GH-40	HINGE GLASS - GLASS

● ACCESSORIES

○	GL-25	DOOR CLIP HOLDER
○	GL-27	DOOR CLIP HOLDER UNIVERSAL
○	GS-10	DOOR STOPPER

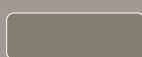


Go to website

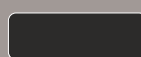
AVAILABLE SHADES



Natural
anodizing



Inox look
anodizing



Black
anodizing



Powder coating
with color op-
tions from the
RAL pallete

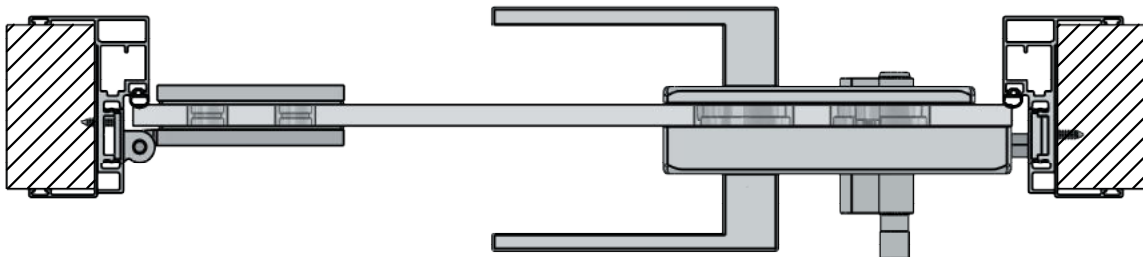


GF-10

GF-10 ALUMINIUM GLASS DOOR FRAME SYSTEM

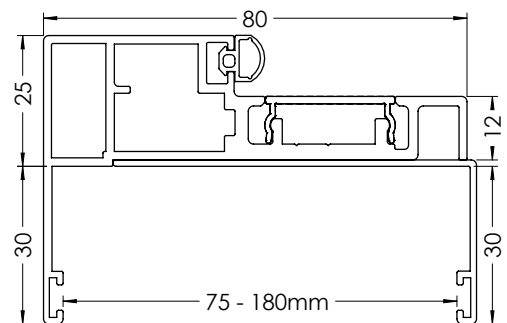
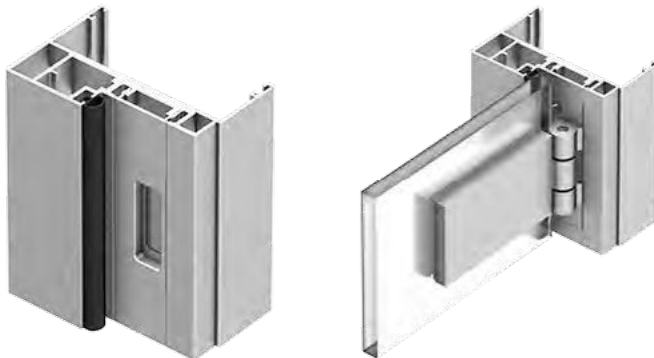
The aluminium glass door frame system **GF-10**, consists of the main profile, its lid and **2** types of jamb coverage, while it has a snap-on anti-shock seal.

- It is combined with **GH-10** hinges, a magnetic lock **GL-100** and a magnetic strike plate **GL-101 / GL-102** or door clip holder **GL-50** and a strike plate **GL-51**.
- Innovative minimal design for the hinge and the strike plate.
- System consists of **3** aluminum profiles **5,5m** length each.
- Suitable for **8mm** to **10mm** glass panel thickness.





- Maximum door weight **50kg** for **2** hinges, **75kg** for **3** hinges.
- Jamb coverage from **75mm** to **180mm**.
- Snap-on shock absorbing seals.
- Magnetic lock **GL-100** with magnetic strike plate.
- Corner connector brackets and corner alignment parts are included.
- Available on stock.



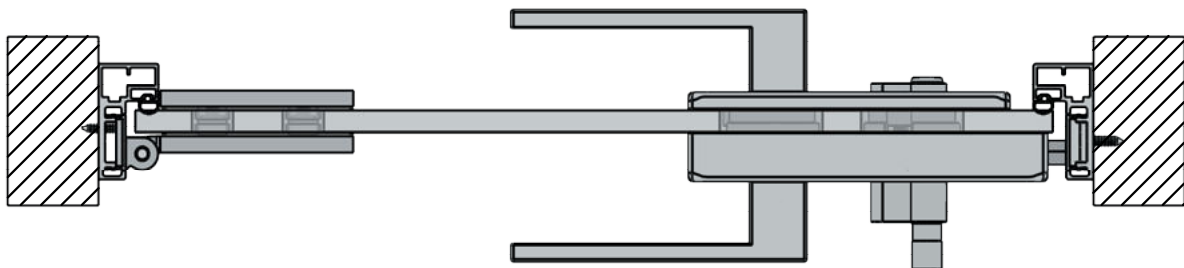


GF-10-M

GF-10-M MINIMAL ALUMINIUM GLASS DOOR FRAME SYSTEM

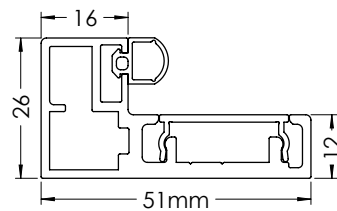
The aluminium glass door frame system **GF-10-M**, consists of the main profile, its lid and a snap-on anti-shock seal.

- It is combined with **GH-10** hinges, **GL-100** and a magnetic strike plate **GL-101 / GL-102** or a door clip holder **GL-50** and a strike plate **GL-51**.
- Innovative minimal design for the hinge and the strike plate.
- System consists of **2** aluminum profiles of **5.5m** length each.
- Suitable for **8mm** to **10mm** glass panel thickness.





- Maximum door weight **50kg** for **2** hinges, **75kg** for **3** hinges.
- Snap-on shock absorbing seals.
- Magnetic lock **GL-100** with magnetic strike plate.
- Corner connector brackets are included.
- Available on stock.

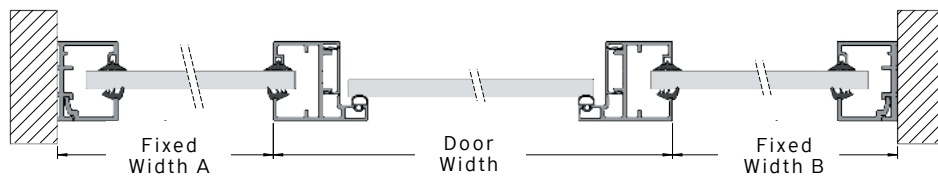




GF-20

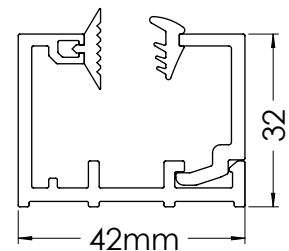
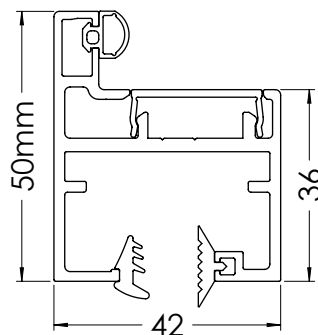
GF-20 ALUMINIUM GLASS DIVIDER SYSTEM

- The system consists of 4 aluminium profiles, 2 profiles with 5,5 meters length (GF-20-01, GF-10-02) and 2 profile with 6 meters length (GF-20-02, GF-20-03), resulting in reduced stock required and optimal material waste.
- The aluminium profiles are available in various finishing options: natural anodized, satiné (inox look) anodized, black anodized, or powder coating in selected shades from the RAL palette.
- It is combined with **GH-10** hinges, **GL-100** and a magnetic strike plate **GL-101 / GL-102** or a door clip holder **GL-50** and a strike plate **GL-51**.

Calculation
of glass panels



- The frame is easily and quickly installed, harmoniously encases the base and creates an aesthetically flawless result.
- Suitable for installation of glass panels ranging from 8mm to 10mm in thickness.
- The lock strike plate is placed in a special formed channel, either at the right or at the left side of the frame, without requiring processing of the frame (cutting), which causes wear and aesthetic imperfections.
- By placing the accurate bases of the hinges in the specially formed channel of the frame, the channel operates as a guide for easy, quick, and correct door placement.
- Connection and alignment corners are provided, for a more rigid and solid application on corners.
- The system contains a rubber sealant which absorbs vibrations when the door is shut, decreases noise, and reduces odours and heat loss. Rubber sealants for fixed glass panels are also provided.
- Minimum lead deliveries and technical support if needed.



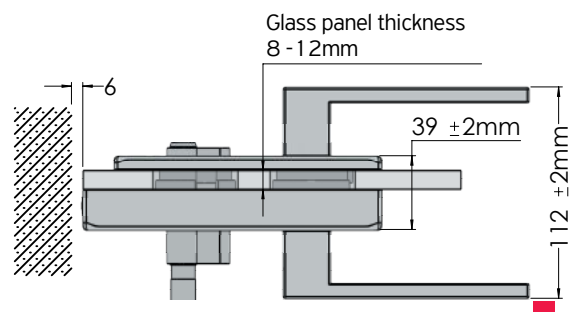
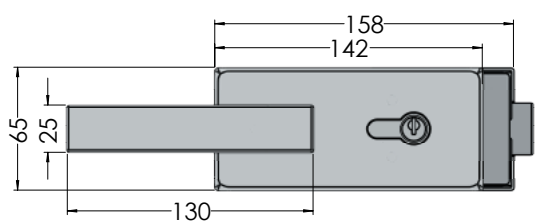
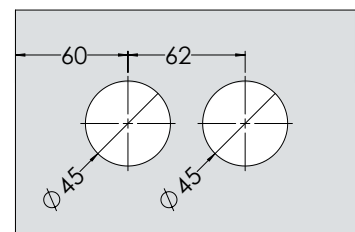


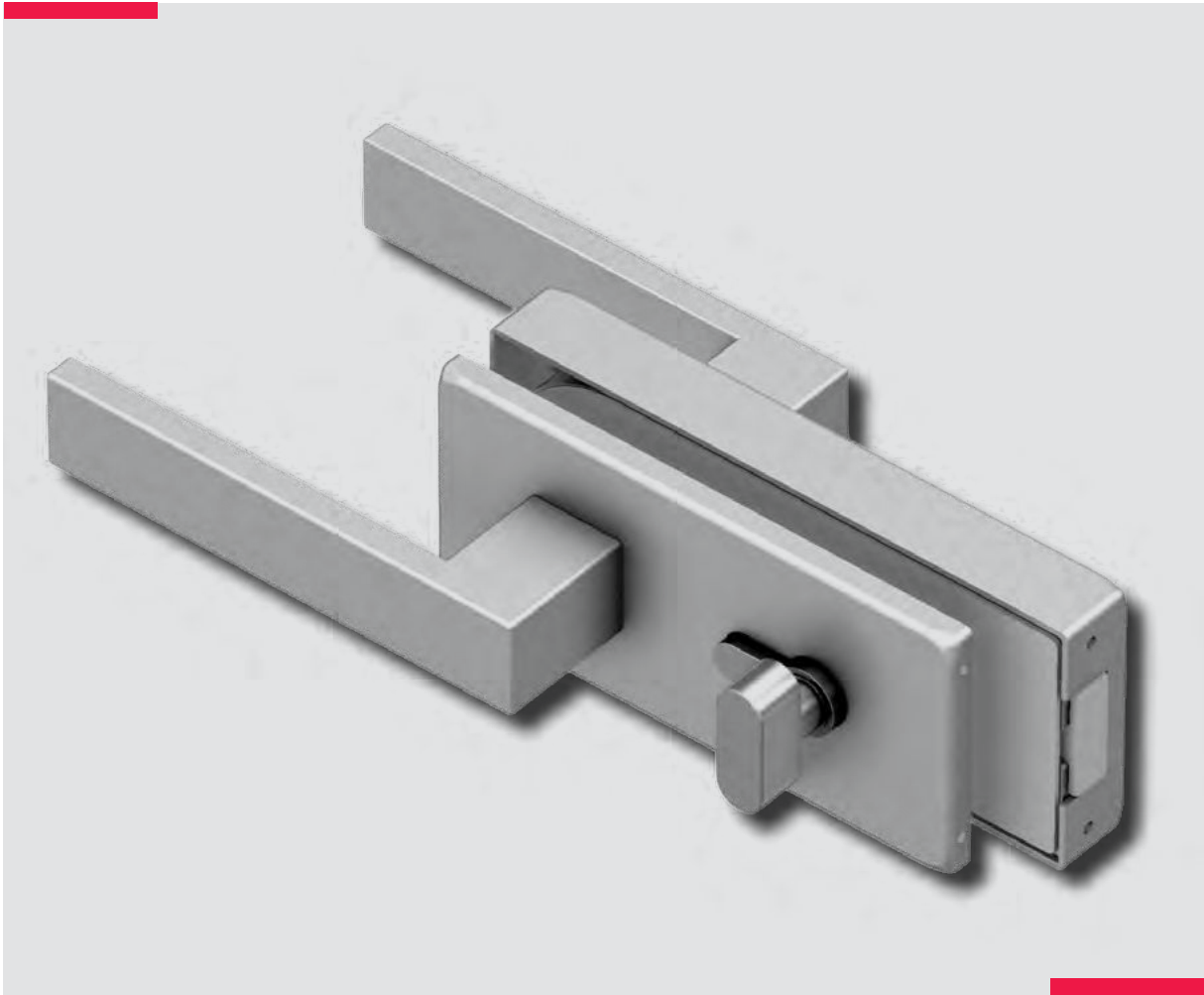
GL-100

MAGNETIC GLASS DOOR LOCK

High quality silent door lock with magnetic latch that can be used on internal glass doors, both for glass to glass, glass to wall or frame profile installations.

- The magnetic latch can be deactivated in it's open position to prevent trapping of people in non accessible areas.
- Easy left or right installation, thus reducing stock requirements.
- Suitable for **8mm** to **12mm** glass panel thickness.
- Available magnetic strike plates **GL-101** / **GL-102** / **GL-104** for wall, wood or frame mounting.





AVAILABLE LOCK CYLINDERS

• key-key / key-thumb turn / thumb turn-coin release.



KEY - KEY

411-GL-100-KK

414-GL-100-KK

412-GL-100-KK



KEY - THUMB TURN

411-GL-100-KB

414-GL-100-KB

412-GL-100-KB



THUMB TURN - COIN RELEASE

411-GL-100-BS

414-GL-100-BS

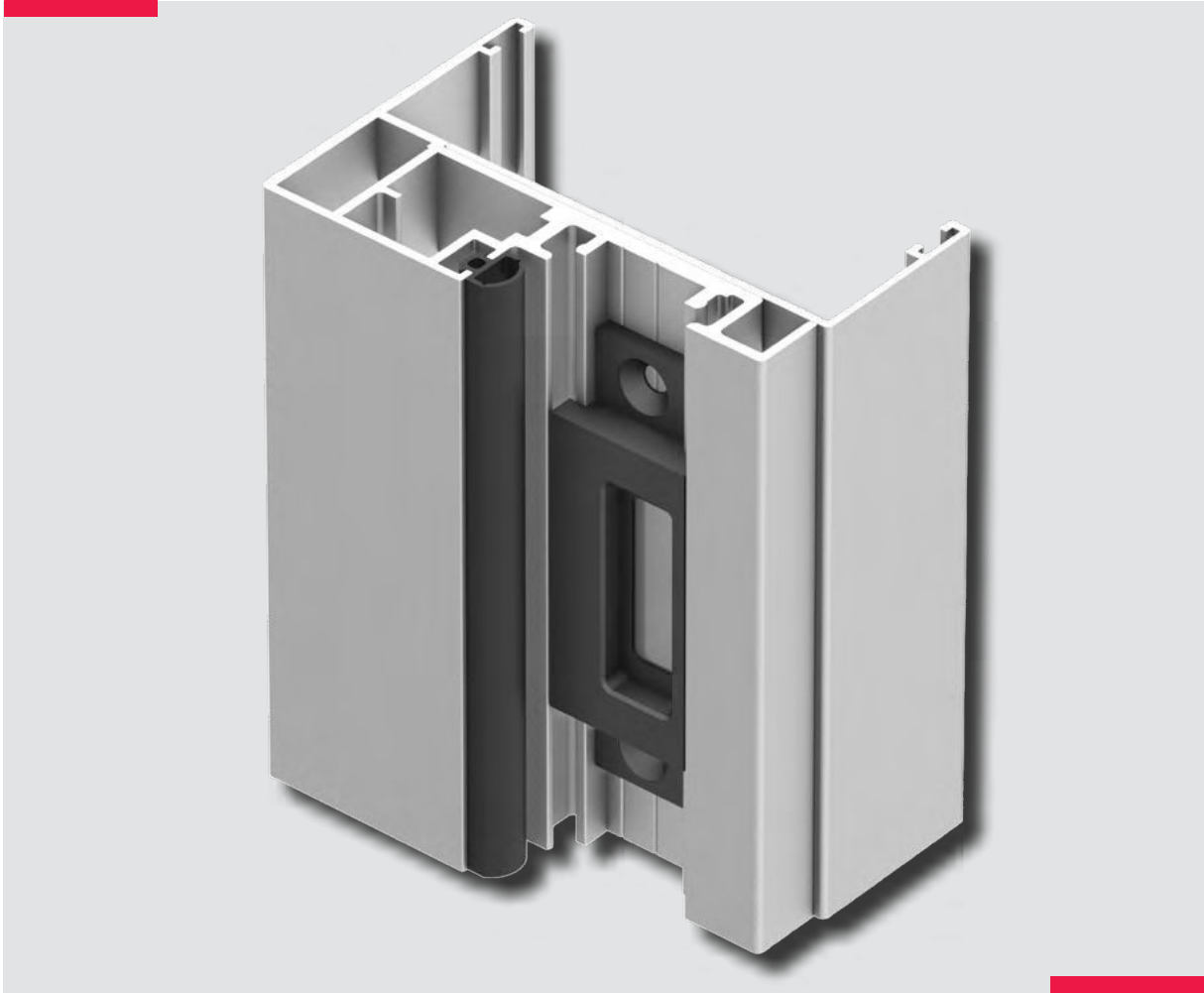
412-GL-100-BS

Natural

Inox

Black

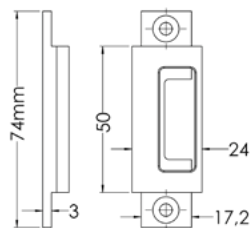




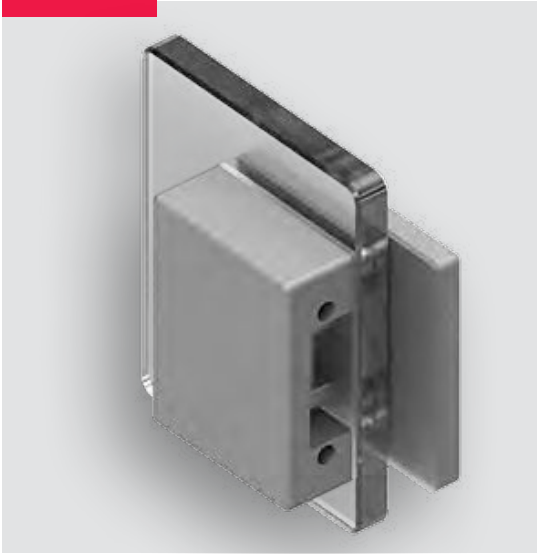
GL-102

MAGNETIC STRIKE PLATE FOR GF-10 / GF-10-M / GF-20

- Placed in a specially formed channel in the frame.
- No need to select a predetermined direction of door opening.
- No need for extra work to open a socket (cutting) on the frame. This eliminates potential damages and aesthetic imperfections.
- Quick and easy installation.



Magnetic strike plate

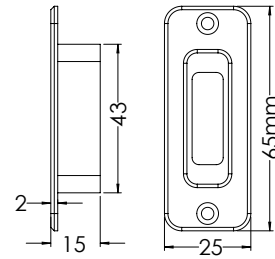
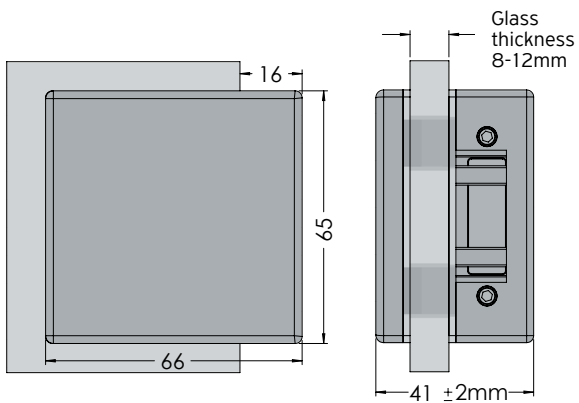
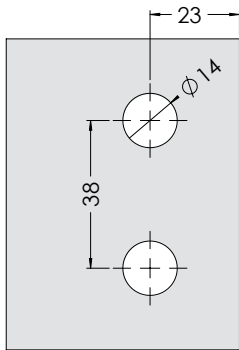


GL-101
MAGNETIC STRIKE PLATE FOR GL-100

- Easy left or right installation.
- Suitable for **8mm to 10mm** glass panel thickness.

GL-104
MAGNETIC STRIKE PLATE
(UNIVERSAL)

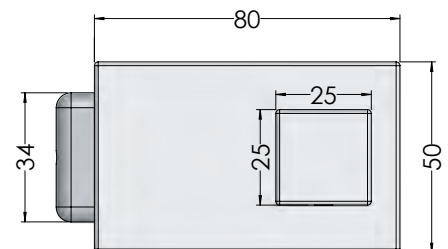
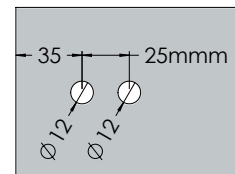
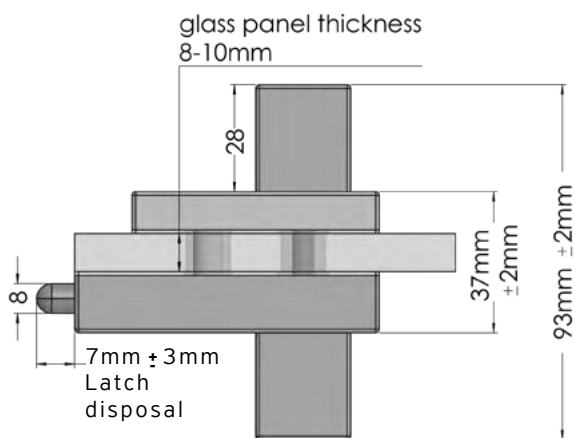
- Strike plate designed for any type of aluminium or wooden frame.





GL-50 DOOR HOLDER

- Suitable for glass panel systems: **GF-10 / GF-10-M / GF-20**
- **8 to 10mm** glass panel thickness.



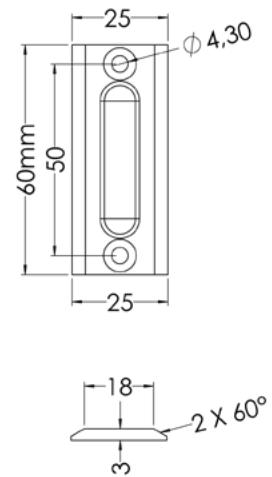
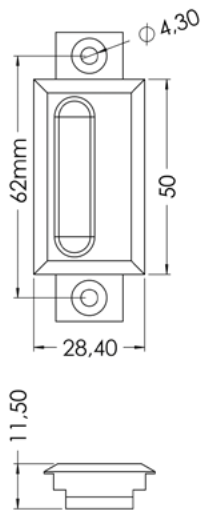


GL-51
DOOR CLIP

- Suitable for glass panel systems:
GF-10 / GF-10-M / GF-20.

GL-52
DOOR CLIP (UNIVERSAL)

- Universal Door clip suitable for aluminum or wooden frames.



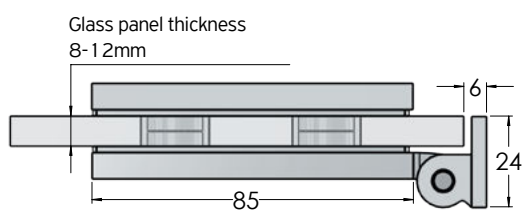
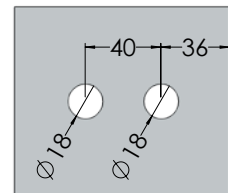


GH-10

SIDE HUNG HINGE - GLASS TO FRAME

Hinge from high durable CNC machined aluminium for shower cabins and internal glass doors.

- Suitable for **8mm to 12mm** glass thickness.
- Maximum door width **900mm**.
- **Free rotation** (no stops).
- Maximum door weight **50kg** for **2** hinges, **75kg** for **3** hinges.
- Can be installed on **GF-10 / GF-10-M / GF-20**, walls and frame profiles.

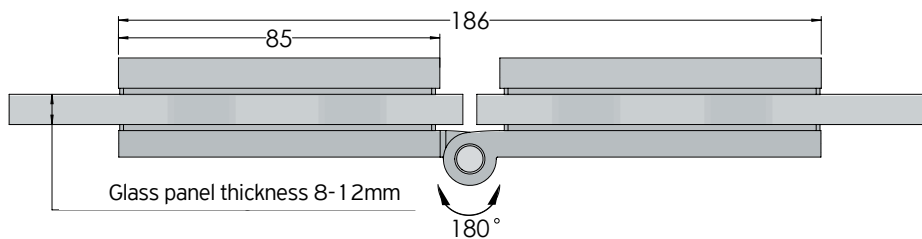
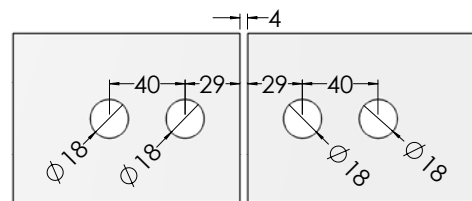




GH-20 SIDE HUNG HINGE - GLASS TO GLASS

Hinge from high durable CNC machined aluminium for shower cabins and internal glass doors.

- Suitable for **8mm** to **12mm** glass thickness.
- Maximum door width **900mm**.
- Free operation without stop from **0°-180°**.
- Maximum door weight **50kg** for **2** hinges, **75kg** for **3** hinges.



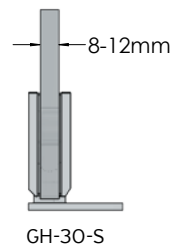
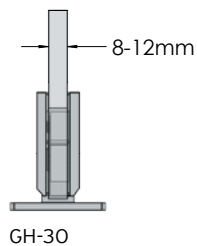
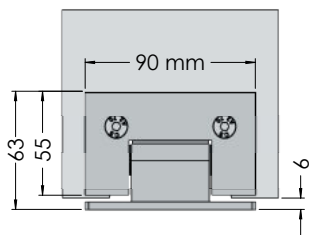
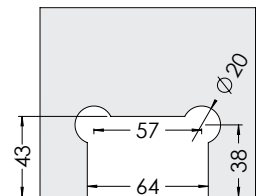


GH-30/GH-30-S

3POINT-ZERO POSITION SIDE HUNG HINGE - GLASS TO WALL

Hinge from high durable CNC machined aluminium for shower cabins and internal glass doors.

- Suitable for **8mm to 12mm** glass thickness.
- Maximum door width **900mm**.
- Stopping positions at **0° ±90°**.
- Partial reset from **±25°** (closed position) **±15°** (open position) .
- Maximum door weight **50kg** for **2** hinges, **75kg** for **3** hinges.



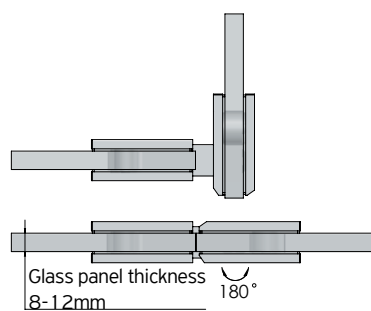
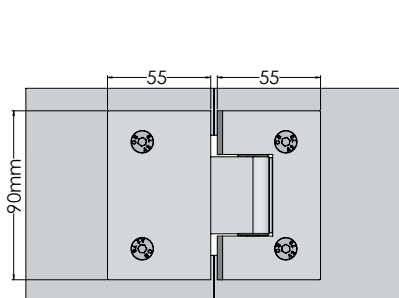
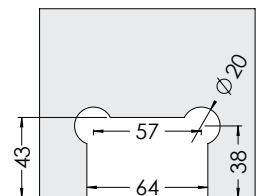


GH-40

3POINT-ZERO POSITION SIDE HUNG HINGE - GLASS TO GLASS

Hinge from high durable CNC machined aluminium for shower cabins and internal glass doors.

- Suitable for **8mm to 12mm** glass thickness.
- Maximum door width **900mm**.
- Stopping positions at **0° ±90°**.
- Partial reset from **±25°** (closed position) **±15°** (open position) .
- Maximum door weight **50kg** for **2** hinges, **75kg** for **3** hinges.

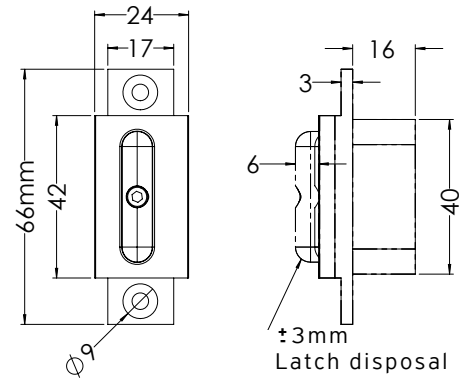




GL-25

DOOR CLIP HOLDER

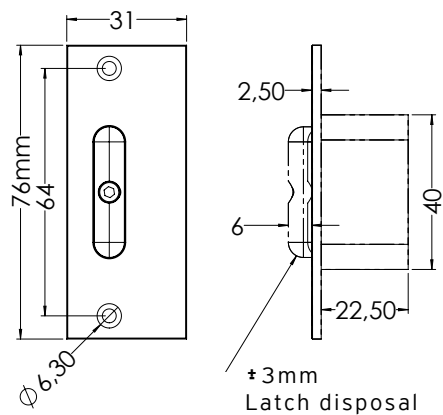
-
- Compatible with :
GF-10 / GF-10-M / GF-20.
- Glass thickness **8mm to 10mm.**



GL-27

DOOR CLIP HOLDER (UNIVERSAL)

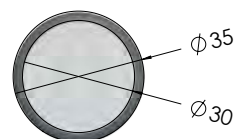
-
- Universal Door clip suitable for aluminum or wooden frames.



GS-10

FLOOR DOOR STOPPER

-
- Snap-on shock absorbing seal.



SHOWERING SYSTEMS & ACCESSORIES



CONTENTS

PAGES

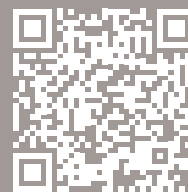
● SHOWERING SYSTEMS 26 - 32

- **GS-R10** STRAIGHT LINE CABIN, WITH ONE SLIDING DOOR & ONE FIXED PANEL
- **GS-R11** CORNER CABIN, WITH ONE SLIDING DOORS & TWO FIXED PANELS
- **GS-R12** CORNER CABIN, WITH TWO SLIDING DOORS & TWO FIXED PANELS
- **GS-R13** CORNER CABIN, WITH TWO SLIDING DOORS & THREE FIXED PANELS

● HANDLES

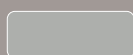
- **GK-10** DOOR KNOB
- **GS-R15** FLUSH PULL HANDLE
- **GHT-500** TOWEL BAR/HANDLE BAR

● SHOWERING SYSTEMS ACCESSORIES

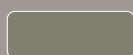


Go to website

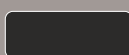
AVAILABLE SHDES



Natural
anodizing



Inox look
anodizing



Black
anodizing



Technical Sheet
GS-R10
GS-R11
GS-R12
GS-R13

GS-R10

STRAIGHT LINE INSTALLATION CABIN,
WITH ONE SLIDING DOOR AND ONE FIXED GLASS PANEL

Aluminium sliding door shower cabin with a minimalistic profile for an aesthetic design.

- Glass thickness range from **8mm to 10mm**.
- Indicative cabin dimensions: **2000x2000mm**.
- System consists of **3** aluminum profiles of **6,1m** length each.
- Flush pull handle for ease of use.
- No drilling required for the floor guide.
- Adjustable rollers (**±2.5mm** per roller) to adjust the sliding glass panel alignment.
- Transparent silicone sealants for absolute waterproofing.
- Wheelchair user-friendly.



GS-R11
CORNER INSTALLATION CABIN,
WITH ONE SLIDING DOOR AND TWO FIXED GLASS PANELS

Aluminium sliding door shower cabin with a minimalistic profile for an aesthetic design.

- Glass thickness range from **8mm** to **10mm**.
- Indicative shower cabin dimensions: **2000mm** length, **1000mm** width, **2000mm** height.
- System consists of **3** aluminum profiles of **6,1m** length each.
- Flush pull handle for ease of use.
- No drilling required for the floor guide.
- Special component for connecting the rail driver with the corner end rail.
- Adjustable rollers (**±2.5mm** per roller) to adjust sliding glass panel inclination.
- Transparent silicone sealants for absolute waterproofing.
- Wheelchair user-friendly.



GS-R12
CORNER INSTALLATION CABIN,
WITH TWO SLIDING DOORS AND TWO FIXED GLASS PANELS

Aluminium sliding door shower cabin with a minimalistic profile for an aesthetic design.

- Glass thickness range from **8mm** to **10mm**.
- Indicative shower cabin dimensions: **1000mm** length, **1000mm** width, **2000mm** height.
- System consists of **3** aluminum profiles of **6,1m** length each.
- Flush pull handle for ease of use.
- No drilling required.
- **90°** special angle fittings for the rail driver and base, ensuring better fit.
- Transparent silicone sealants for absolute waterproofing.
- Adjustable rollers (**±2.5mm** per roller) to adjust the sliding glass panel inclination.
- Wheelchair user-friendly.



GS- R13

THREE SIDED INSTALLATION CABIN, WITH TWO SLIDING DOORS AND THREE FIXED GLASS PANELS

Aluminium sliding door shower cabin with a minimalistic profile for an aesthetic design.

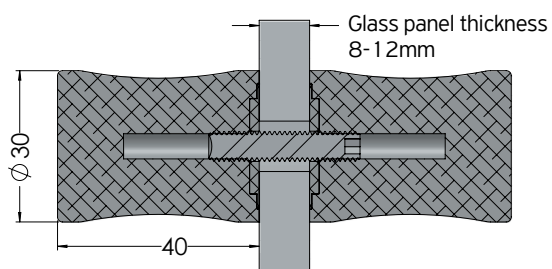
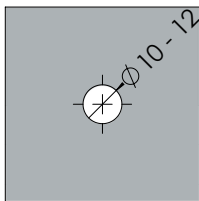
- Glass thickness range from **8mm** to **10mm**.
- Indicative shower cabin dimensions:
1000mm length, **1000mm** length of fixed glass, **1000mm** width, **2000mm** height.
- The system consists of **3** aluminum profiles of **6,1m** length each.
- Flush pull handle for ease of use.
- No drilling required.
- **90°** special angle fittings for the driver and base, ensures optimal fit .
- Transparent silicone sealants for absolute waterproofing.
- Adjustable rollers (**±2.5mm** per roller) to adjust the sliding glass panel inclination.

**GK-10**

PAIR OF GLASS DOOR KNOBS

For shower cabins and glass doors.

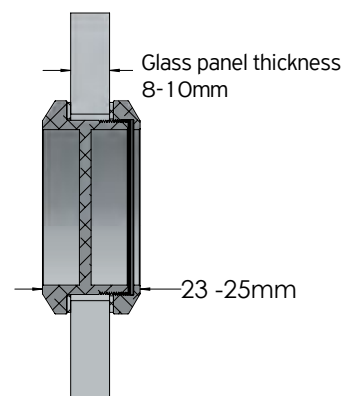
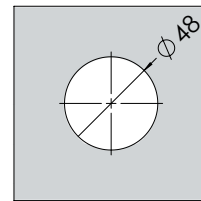
- Suitable for glass thickness of **8mm to 12mm**.
- Diameter **Ø30**, length **40mm**.

**GS-R15**

FLUSH PULL HANDLE

For sliding shower cabins and sliding glass doors.

- Suitable for glass thickness of **8mm to 10mm**.
- Diameter **Ø55**, length **7mm**.



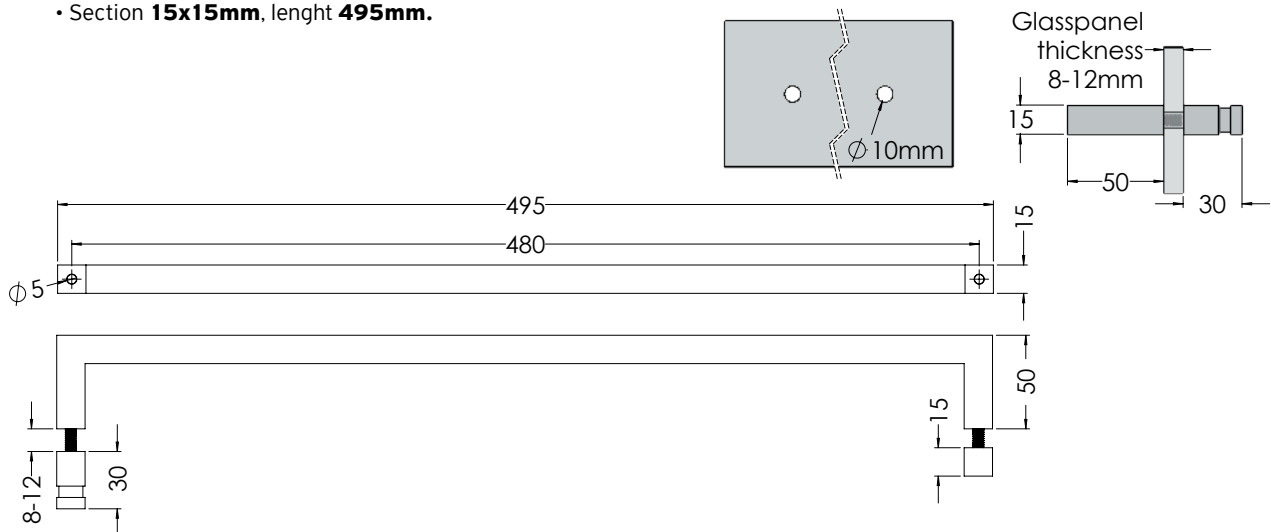


GHT-500

ALUMINIUM TOWEL/HANDLE BAR FOR GLASS DOORS OR FIXED SHOWER GLASS PANELS

For glass shower doors or fixed glass panels.

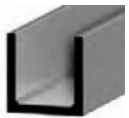
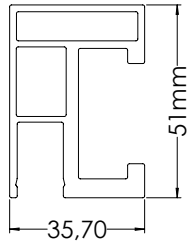
- Suitable for **8mm** to **12mm** glass thickness.
- Section **15x15mm**, length **495mm**.



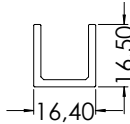
PROFILES FOR SHOWERING SYSTEMS



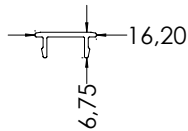
GS-R10-101
main profile



GS-R10-106
U-shape



GS-R10-105
cover



GS-R10-KIT



GS-R10-104
stopper



GS-R10-400
floor guide

CONNECTION ANGLES FOR SHOWERING SYSTEMS



GS-R10-109
corner nexus



GS-R10-107 L or R
nexus for stable panel



GS-R10-113
floor corner nexus



GS-R10-110
wall mount



GS-R15
flush pull handle



GS-R10-200
adjustable roller

RAILINGS & BALUSTRADES

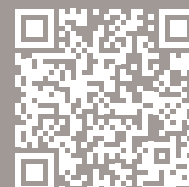


CONTENTS

PAGES

●	BALUSTRADE SYSTEMS	
○	MS-1500	BALUSTRADE SYSTEM
○	MS-1000	BALUSTRADE SYSTEM

34 - 44



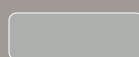
Go to website

●	SPIGOTS & STANDOFFS	
○	MS-125	SPIGOT
○	MS-125-B	SPIGOT
○	MS-124	STANDOFF
○	MS-123	STANDOFF
○	MS-120	STANDOFF
○	MS-120-S	STANDOFF COVER

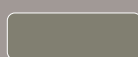
●	STANDS	
○	MS-127	STAND
○	1015-L	STAND
○	GFH-50/51	WALL STAND

●	ACCESSORIES FOR RAILINGS	
○	MS-1000-D35	ALIGNMENT ACCESSORY
○	MS-1100	HANDRAIL FOR MS-1000
○	300-GHR-2019	U-SHAPE PROFILE
○	300-GHR-2015	U-SHAPE PROFILE

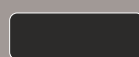
AVAILABLE SHADES



Natural
anodizing



Inox look
anodizing



Black
anodizing



Powder
coating with
color options
from the RAL
palette

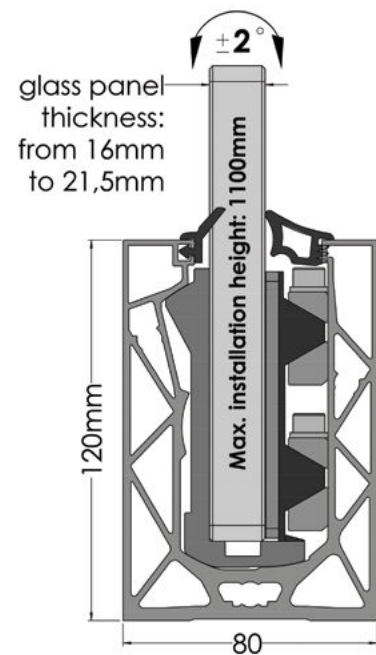


MS-1500

ANODIZED GLASS BALUSTRADE SYSTEM WITH ADJUSTABLE INCLINATION

System consists of an elegant, **80x120mm** adjustable aluminium base, with clamps for the glass support and **EPDM** rubber finishing.

- Maximum installation height **1100mm**.
- Glass thickness range from **16mm to 21.5mm**
- Panel inclination adjustment **±2°**.
- No scaffolding required since installation is done from the inside of the balcony
- Ideal for installation on balconies.
- Integrated water drainage channel.
- Quick and easy installation with a perfect aesthetic result.
- **Predrilled** base with Inox Satine finish.
- Ready for **LED** light installation.
- BS6180 Certification from the British Institute of Testconsult.



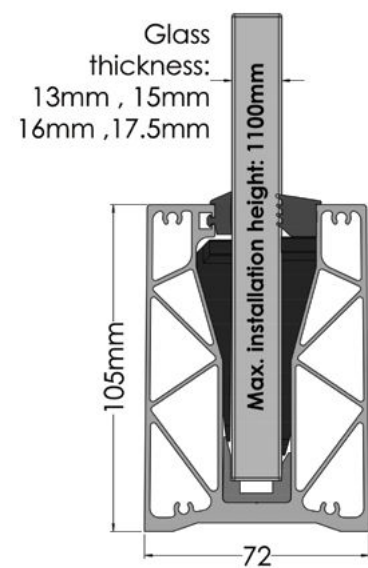


MS-1000

ANODIZED GLASS BALUSTRADE SYSTEM

The system consists of a stylish uniform **72x105mm** aluminium base, with special plastic wedges for the glass support and **EPDM** rubber finishes.

- Maximum installation height **1100mm**.
- Glass thickness range from **13mm, 15mm, 16mm and 17,5mm**.
- Ideal for installation on balconies.
- Quick and easy installation with a perfect aesthetic result.
- **Predrilled** aluminium base with Inox Satine finish.
- Ready for **LED** light installation.
- BS6180 Certification from the British Institute of Testconsult.



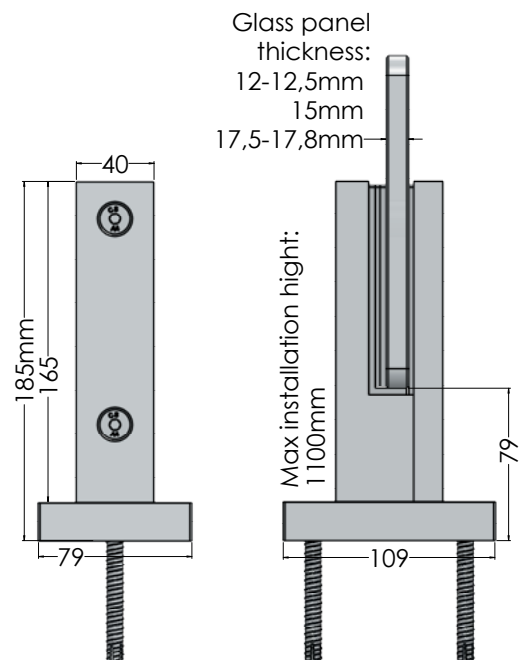
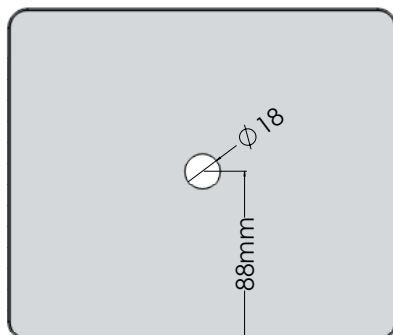


MS-1 25

GLASS RAILING SYSTEM WITH GROUND SPIGOTS

System consists of **40x185mm** aluminium spigots, with a **80x110mm** flat base for high durability.

- Maximum installation height **1100mm**.
- Glass thickness range from **12-12,5mm, 15mm and 17,5-17,8mm**.
- Ideal for installations on balconies and swimming pool areas.
- BS6180 Certification from the British Institute of Testconsult.



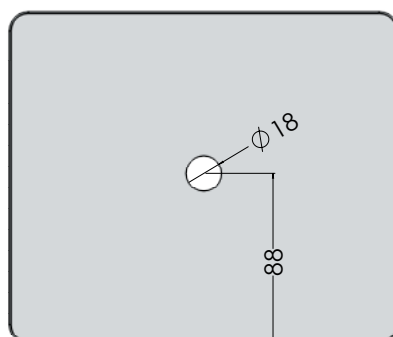


MS-125-B

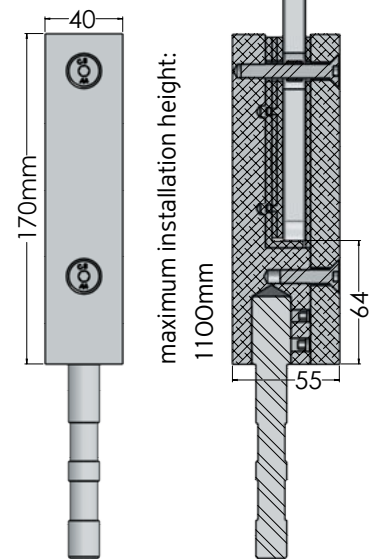
GLASS RAILING SUPPORT SYSTEM WITH GROUND SPIGOTS

System consists of **40x170mm** aluminium spigots. A stainless steel pin gives solid support to the system.

- Maximum installation height **1100mm**.
- Glass thickness range from **12-12,5mm, 15mm and 17,5-17.8mm**.
- Ideal for installation near pool areas with limited space for support systems.



Glass panel thickness
12, 12,5mm, 15mm,
17,5-17.8mm



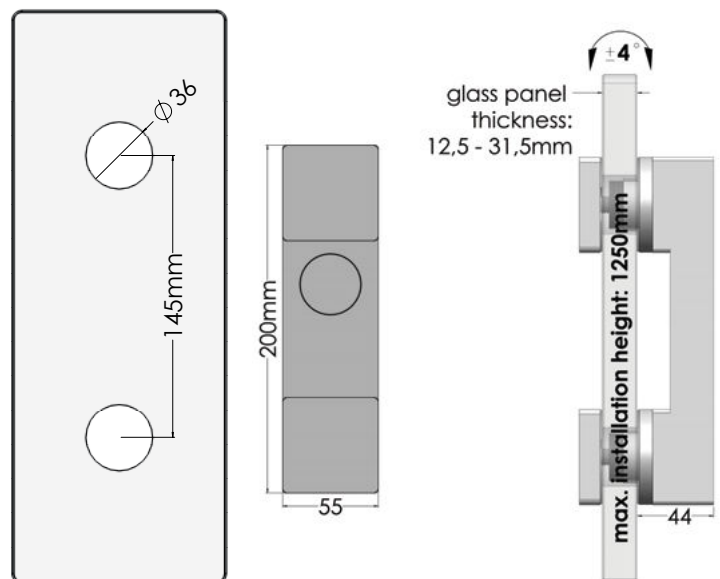
SECTION A-A

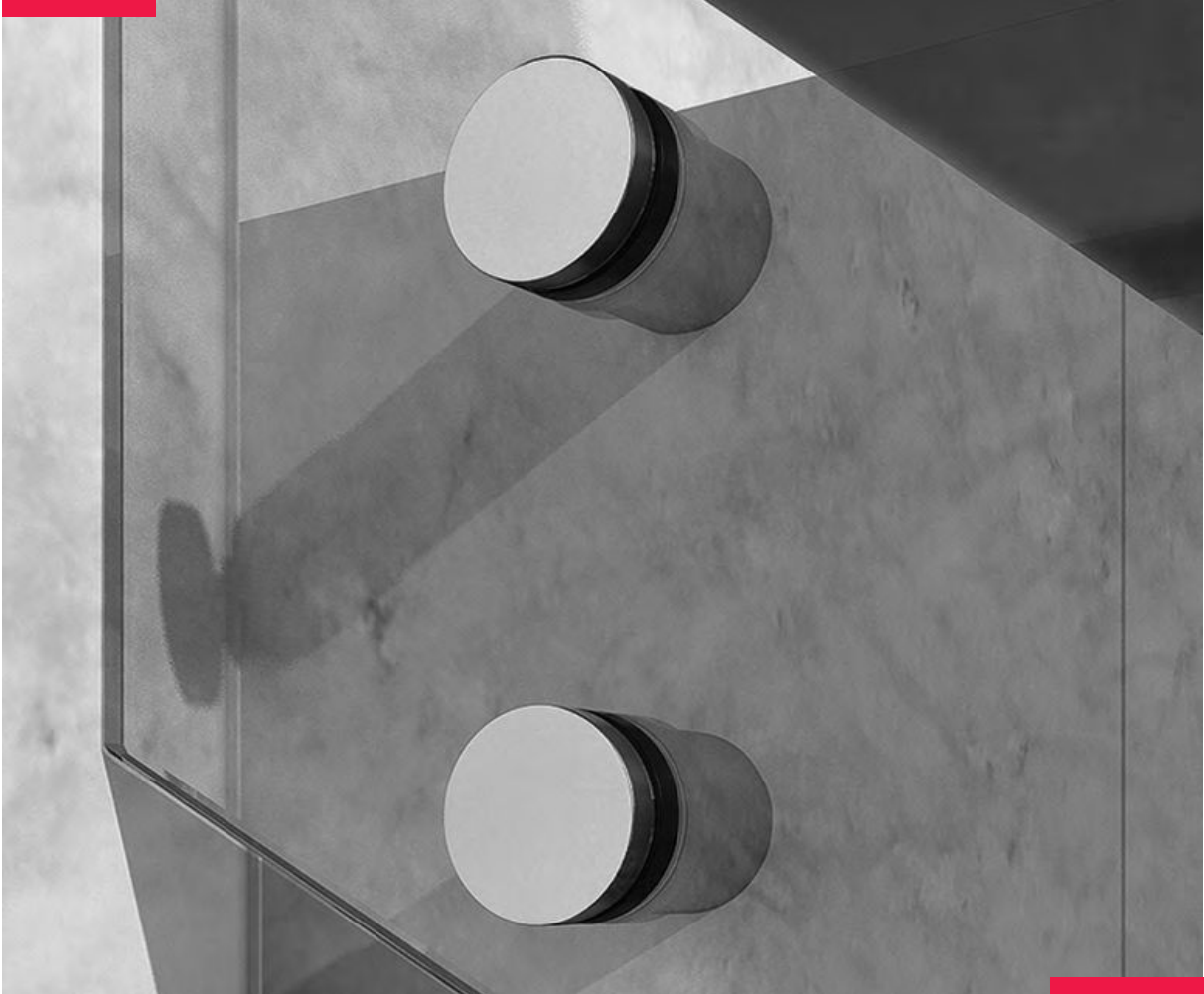


MS-124
GLASS RAILING SYSTEM WITH
ADJUSTABLE DOUBLE HUNG STANDOFF
(HEAVY DUTY)

System consists of double adjustable aluminum standoffs, dimension **55x200mm** for frontal installation, with adjustable inclination of the glass panel.

- Maximum installation height from standoff, **1250mm**.
- Glass thickness range from **12.5mm** to **31.5mm**.
- Glass panel inclination **±4 °**.
- Adjustability of inclination eliminates possible construction imperfections.
- Ideal for installations on balconies and staircases.
- BS6180 Certification from the British Institute of Testconsult.



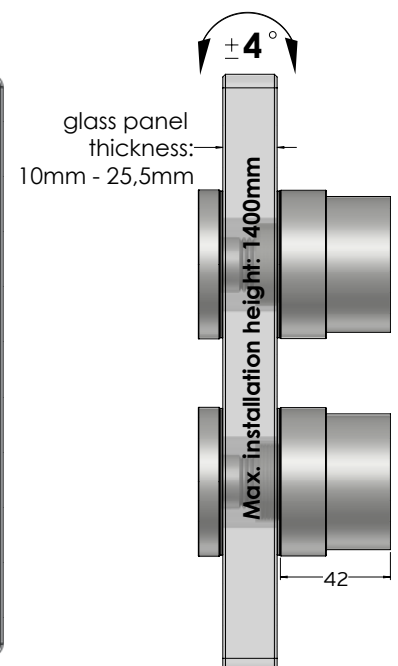
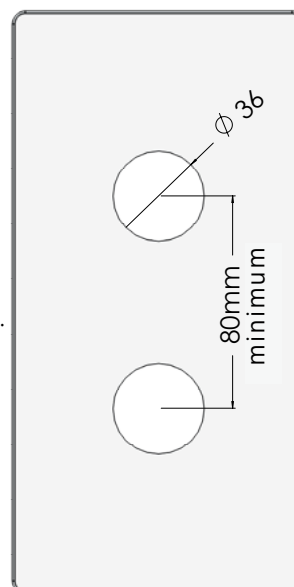


MS-123

ADJUSTABLE ANODIZED ALUMINIUM GLASS STANDOFF

System consists of an adjustable aluminium glass standoff, diameter **Ø50** and length **40mm** for frontal installation, with adjustable inclination of the glass panel.

- Maximum installation height **1400mm**.
- Glass thickness range from **10mm** to **25.5mm**.
- Adjustable inclination of the panel **±4°**
- Adjustability eliminates possible construction imperfections.
- Ideal for installation on balconies and staircases.
- BS6180 Certification from the British Institute of Testconsult.



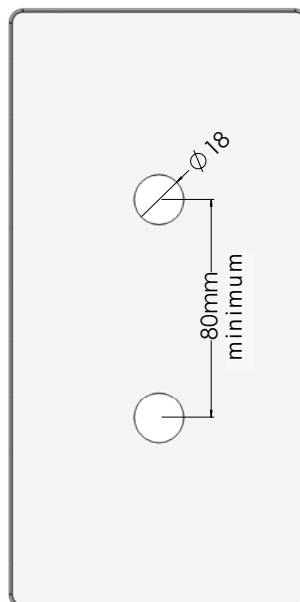


MS-120

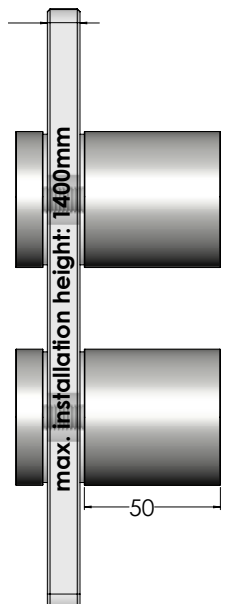
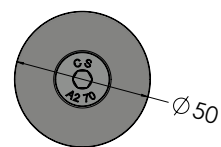
STANDOFF Ø50 ANODIZED ALUMINIUM

System consists of an aluminium glass standoff for frontal installation, diameter **Ø50**, and length **50mm**.

- Maximum installation height **1400mm**.
- Glass thickness range from **10mm** to **21.5mm**.
- Ideal for installation on balconies and staircases.
- BS6180 Certification from the British Institute of Testconsult.



Glass panel thickness
10mm - 21,5mm

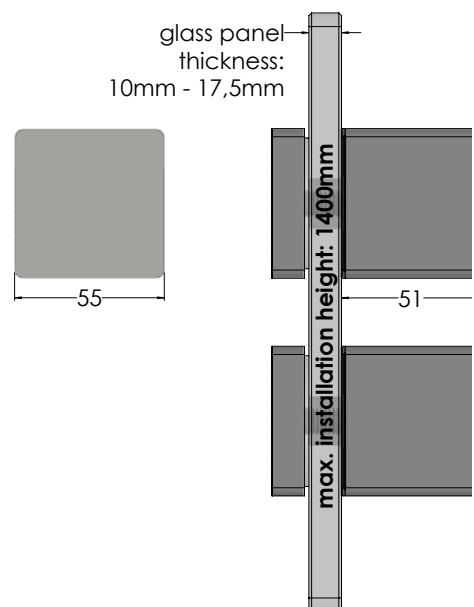


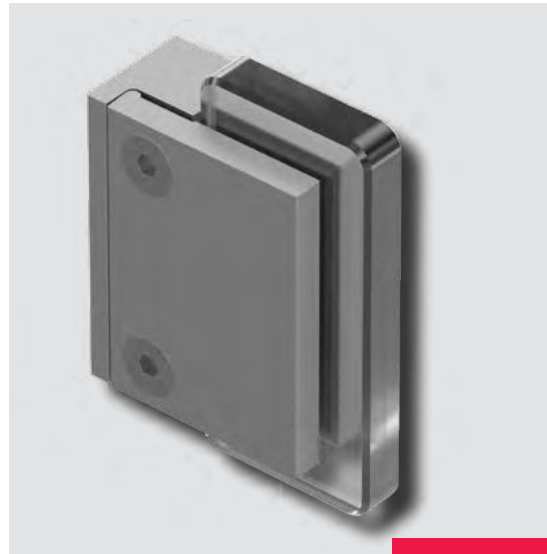


MS-120-S

RECTANGULAR COVER FOR MS-120 OR Ø50 STANDOFF

- Rectangular cover for **MS-120** or **Ø50** aluminium standoff.



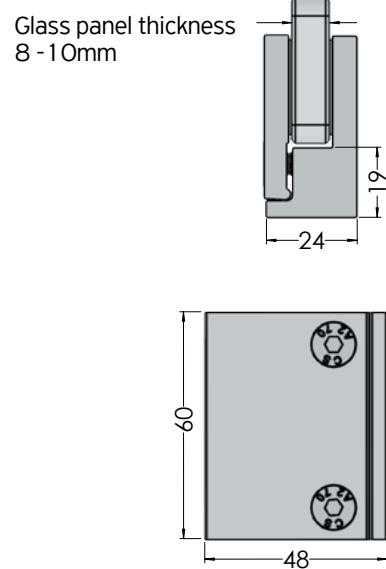
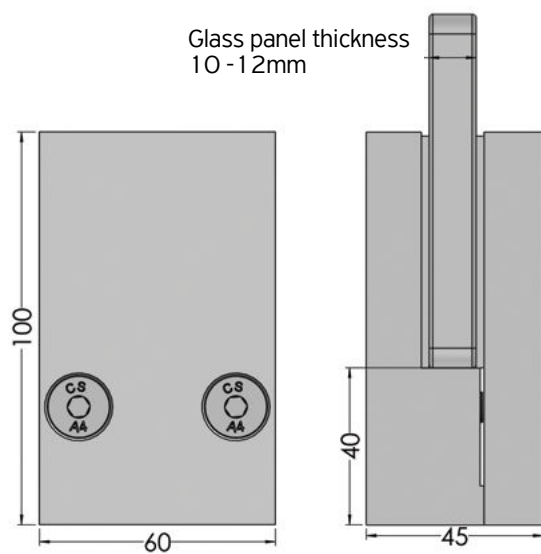


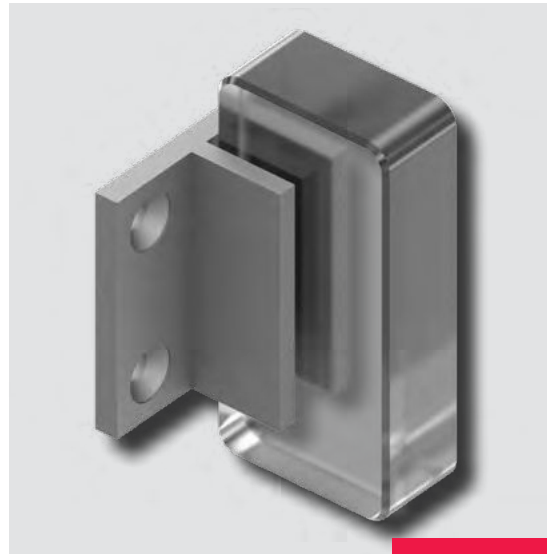
MS-127
STAND FOR GLASS PANELS

- Stand for glass panels with thickness **10mm to 12mm.**

1015-L
STAND FOR GLASS PANELS

- Stand for glass panels with thickness **8mm to 10mm.**
- Suitable for wall mounting.





GFH-50

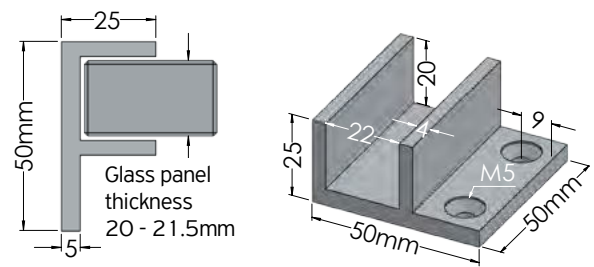
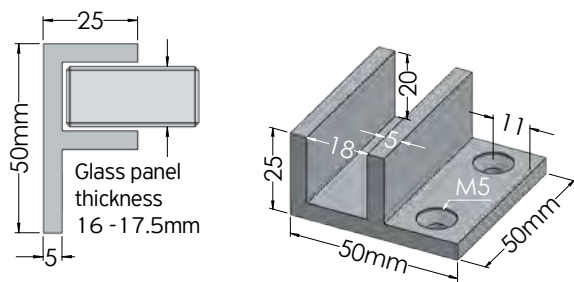
WALL STAND FOR GLASS PANELS

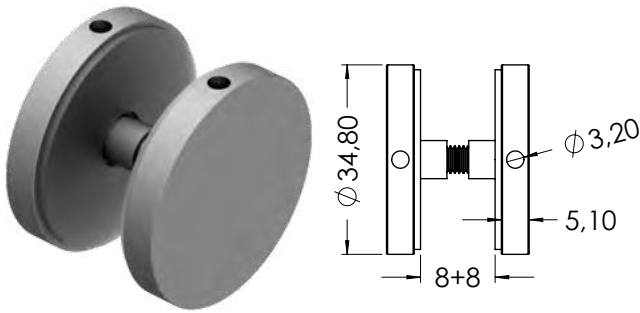
- Stand for glass panels with thickness **16mm to 17,5mm.**
- Suitable for wall mounting.

GFH-51

WALL STAND FOR GLASS PANELS

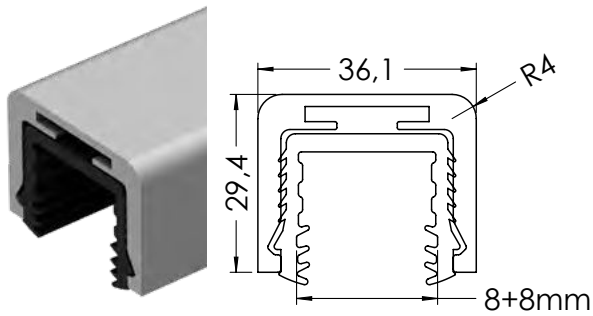
- Stand for glass panels with thickness **20mm to 21,5mm.**
- Suitable for wall mounting.



**MS-1000 D35**ALIGNMENT ACCESSORY
FOR GLASS PANELS

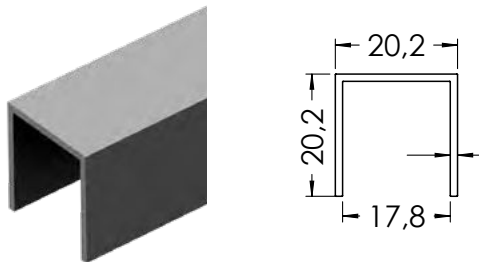
- Combined with the MS-1000.

Glass panel thickness 8 + 8mm.

**MS-1100**HANDRAIL FOR GLASS BALUSTRADE
SYSTEM

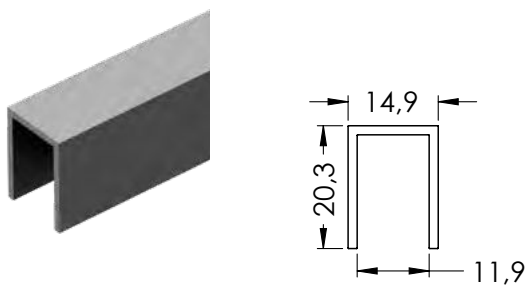
- Combined with the MS-1000.

Glass panel thickness 8 + 8mm.

**3 00-GHR-2019**HANDRAIL FOR GLASS BALUSTRADE
SYSTEM

- Combined with the MS-1000.

Utilized for the support of glass panels.

**300-GHR-2015**HANDRAIL FOR GLASS BALUSTRADE
SYSTEM

- Combined with the MS-1000.

Utilized for the support of glass panels.

PIVOT MECHANISMS



CONTENTS

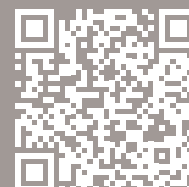
PAGES

PIVOT MECHANISMS

46 - 52

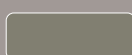


MPH-300	MOUNTING ON THE DOOR THRESHOLD
MPH-300-S	MOUNTING ON THE FLOOR
MPH-300-B	MOUNTING ON THE FLOOR
MPH-150	MOUNTING ON THE DOOR THRESHOLD
MPH-150-S	MOUNTING ON THE FLOOR



Go to website

AVAILABLE SHADES



Inox look
anodizing



Handbook
MPH-300
MPH-300-S
MPH-300-B



MPH-300
Technical sheet



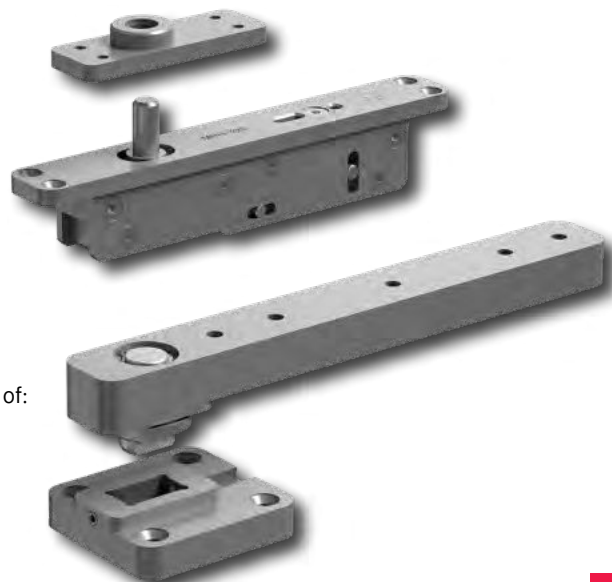
MPH-300
Video

MPH-300

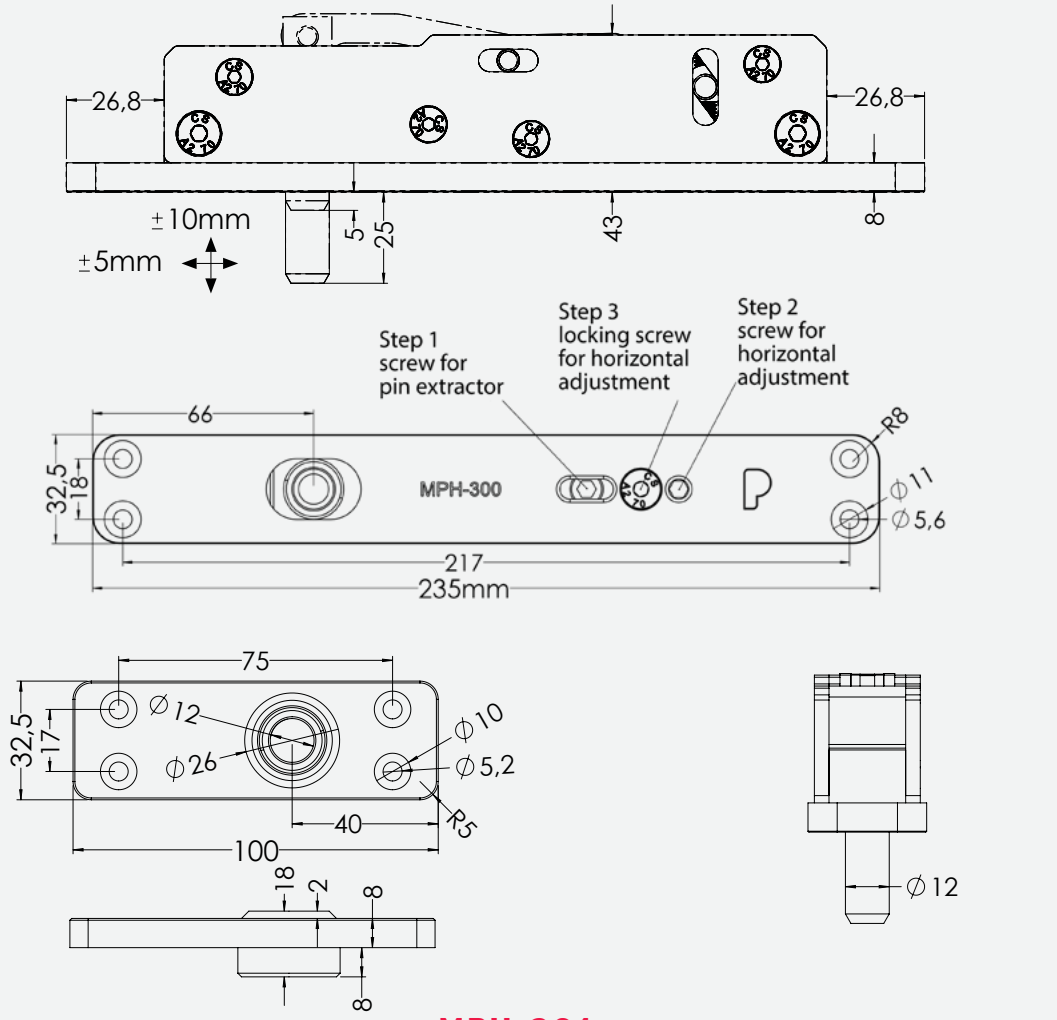
PIVOT MECHANISM FOR MOUNTING ON THE DOOR THRESHOLD

The **MPH-300** hinge offers easy installation, smooth operation and high durability. It is compatible with heavy duty doors and suitable for domestic or professional use, either indoors or outdoors.

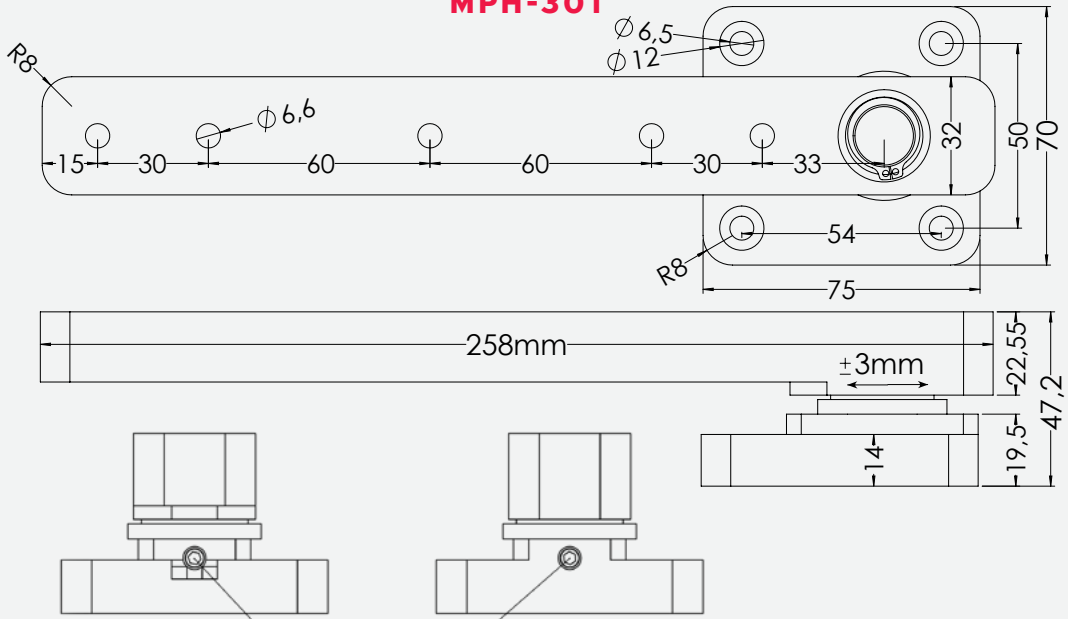
- Suitable for recessed mounting on the **door threshold**.
- Maximum door weight **500Kg**.
- Door thickness from **40mm to 120mm**.
- Horizontal adjustment on the upper part of the mechanism **± 5mm**.
- Horizontal adjustment in the lower part of the mechanism **± 3mm**.
- Opens in both directions (right-left) with **360°** free rotation range.
- Zero maintenance needed.
- Compatible with heavy duty interior or exterior doors made of: steel, wood, aluminum or glass (with frame).
- Complete installation handbook provided.
- Available in inox-effect anodizing.
- Allows installation of pre-assembled door.



MPH-302



MPH-301



*The pivot mechanism **MPH 300** consists of the parts **MPH-301** and **MPH-302**



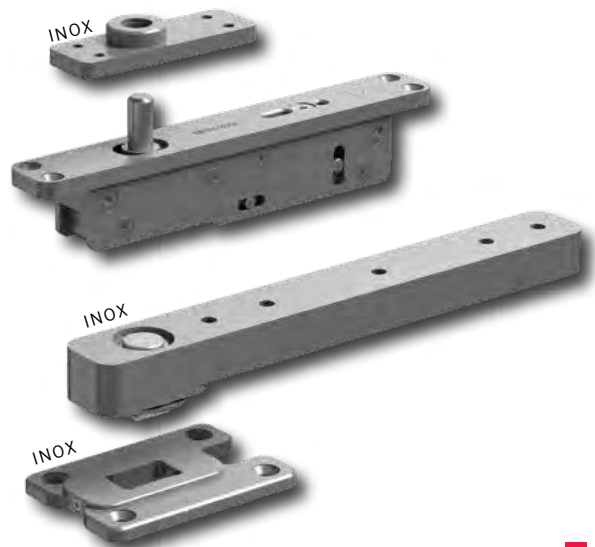
MPH-300-S
Technical sheet

MPH-300-S

PIVOT MECHANISM FOR MOUNTING ON THE FLOOR

The **MPH-300-S** hinge offers easy installation, smooth operation and high durability. They are compatible with heavy duty doors and suitable for domestic or professional use, either indoors or outdoors.

- Suitable for mounting directly on the **floor**.
- Maximum door weight **500Kg**.
- Door thickness from **40mm** to **120mm**.
- Horizontal adjustment on the upper part of the mechanism **± 5mm**.
- Horizontal adjustment in the lower part of the mechanism **± 3mm**.
- Opens in both directions (right-left) with **360°** free rotation range.
- Allows installation of pre-assembled door.
- Zero maintenance needed.
- Compatible with heavy duty interior or exterior doors made of: steel, wood, aluminum or glass (with frame).
- Complete installation handbook provided.
- Available in inox-effect anodizing.





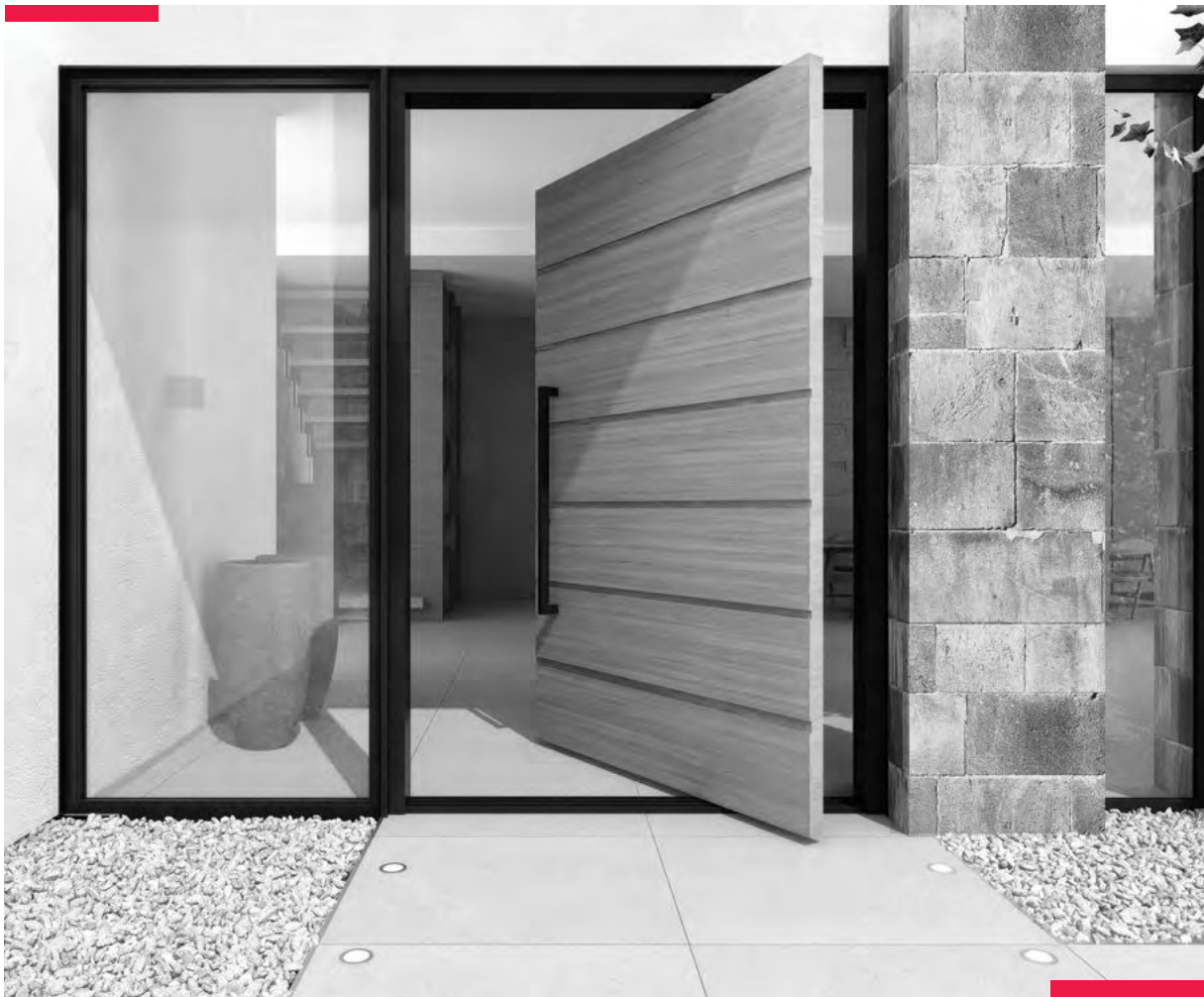
MPH-300-B

PIVOT MECHANISM FOR MOUNTING ON THE FLOOR

The **MPH-300-B** hinge offers easy installation, smooth operation and high durability. It is compatible with safety heavy duty doors and suitable for domestic or professional use, either indoors or outdoors.

- Suitable for mounting directly on the **floor**.
- Maximum door weight **500Kg**.
- Door thickness from **40mm to 120mm**.
- Horizontal adjustment on the upper part of the mechanism **± 5mm**.
- Horizontal adjustment in the lower part of the mechanism **± 3mm**.
- Opens in both directions (right-left) with **360°** free rotation range.
- Allows installation of pre-assembled door.
- Zero maintenance needed.
- Compatible with heavy duty interior or exterior doors made of: steel, wood, aluminum or glass (with frame).
- Complete installation handbook provided.
- Available in inox- effect anodizing.





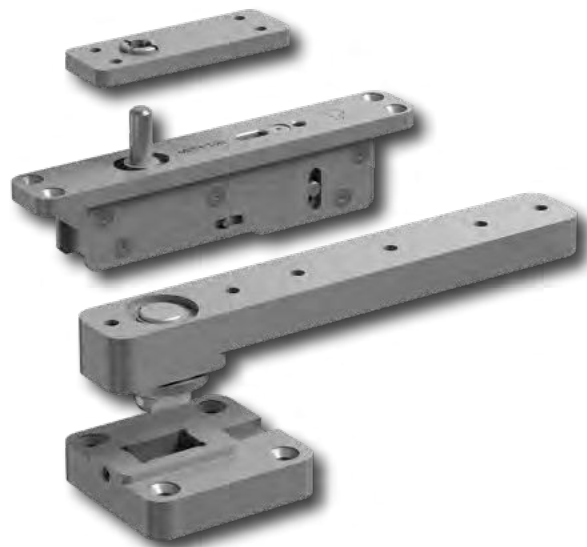
MPH 150
Technical sheet

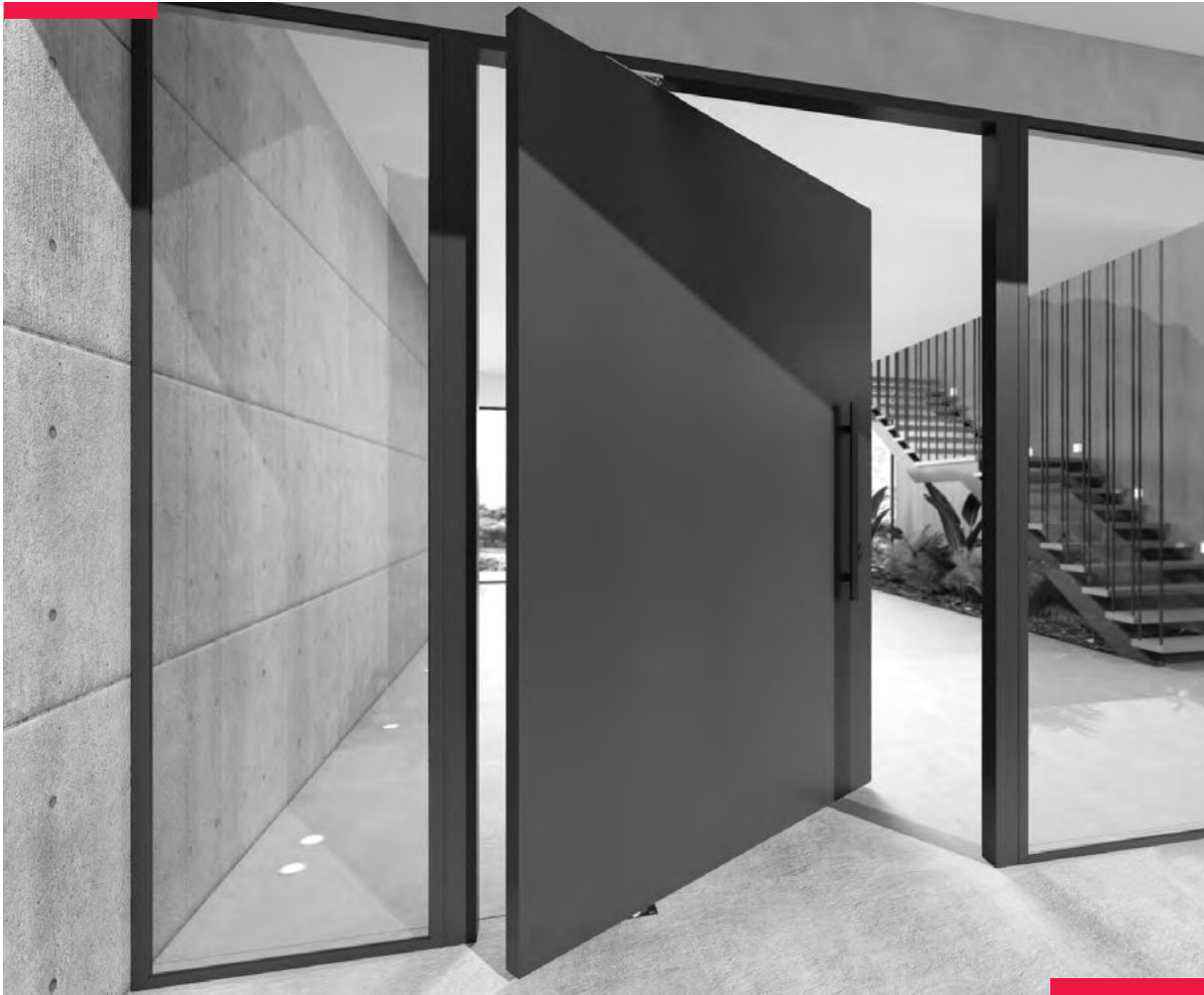
MPH-150

PIVOT MECHANISM FOR MOUNTING ON THE DOOR SILL

The hinge **MPH-150** offers easy installation, smooth operation and high durability. They are compatible with oversized doors and suitable for domestic or professional use, either indoors or outdoors.

- Suitable for recessed mounting on the **door sill**.
- Maximum door weight **250Kg**.
- Door thickness from **40mm** to **90mm**.
- Horizontal adjustment on the upper part of the mechanism **± 5mm**.
- Horizontal adjustment in the lower part of the mechanism **± 3mm**.
- Opens in both directions (right-left) with **360°** free rotation range.
- Allows installation of pre-assembled door.
- Zero maintenance needed.
- Compatible with interior or exterior doors of large dimensions made of: steel, wood, aluminum or glass (with frame).
- Complete installation handbook provided.
- Available in inox - effect anodizing.





MPH-150-S

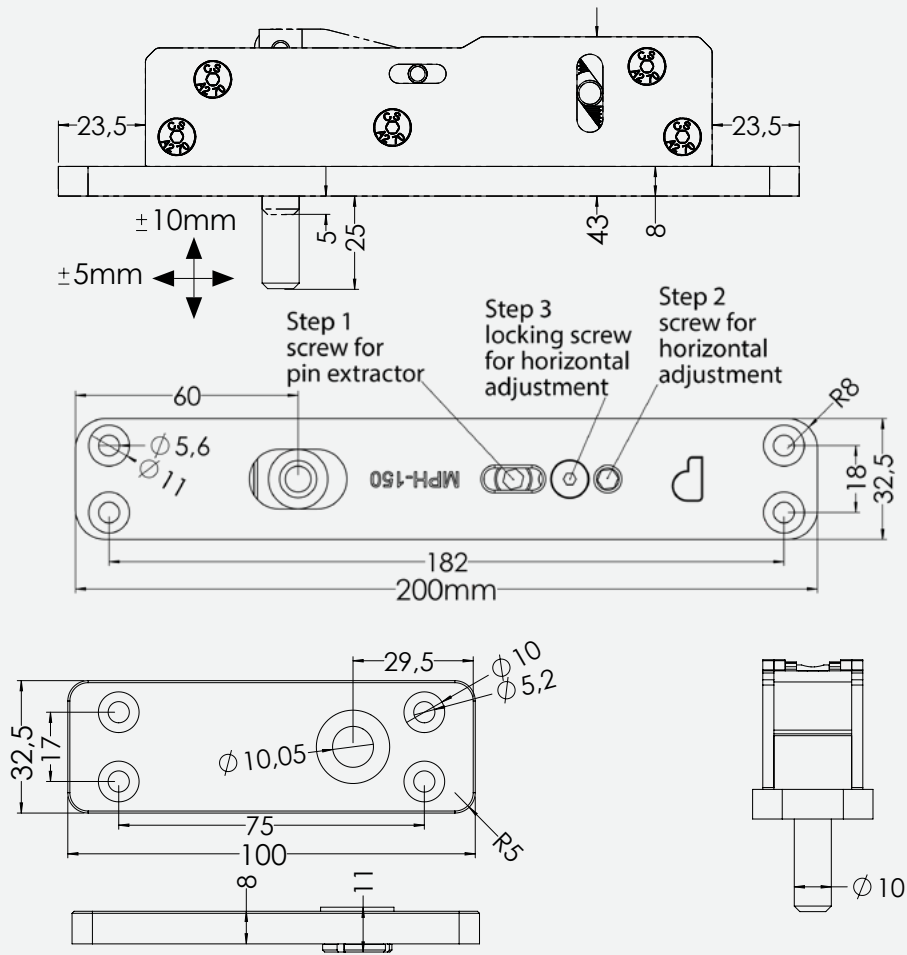
PIVOT MECHANISM FOR MOUNTING ON THE FLOOR

The hinge **MPH-150/MPH-150-S** offers easy installation, smooth operation and high durability. They are compatible with oversized doors and suitable for domestic or professional use, either indoors or outdoors.

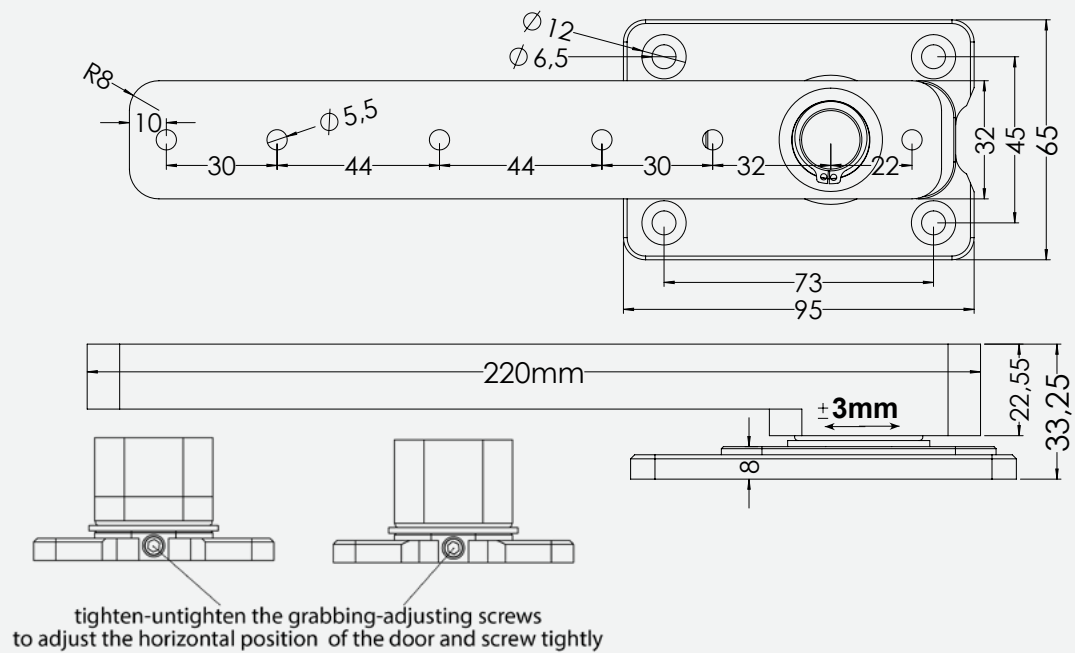
- Suitable for mounting directly on the **floor**.
- Maximum door weight **250Kg**.
- Door thickness from **40mm** to **90mm**.
- Horizontal adjustment on the upper part of the mechanism **± 5mm**.
- Horizontal adjustment in the lower part of the mechanism **± 3mm**.
- Opens in both directions (right-left) with **360°** free rotation range.
- Allows installation of pre-assembled door.
- Zero maintenance needed.
- Compatible with interior or exterior doors of large dimensions made of: steel, wood, aluminum or glass (with frame).
- Complete installation handbook provided.
- Available in inox- effect anodizing.



MPH-152



MPH-151



* The pivot mechanism MPH -150-S consists of the parts MPH-151-S and MPH-152

CONCEALED HINGES



CONTENTS

PAGES

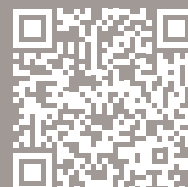


CONCEALED HINGES

54 - 55

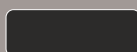


PHH-100	FLAT DOOR SYSTEM COMPATIBLE
PHH-100-C1	CONVENTIONAL EUROGROOVE DOOR SYSTEM COMPATIBLE
PHH-100-C2	FLAT EUROGROOVE DOOR SYSTEM COMPATIBLE
PHH-100-M1	MULTILOCK DOOR SYSTEM COMPATIBLE



Go to website

AVAILABLE SHADES



Black
anodizing



Concealed Hinge
Brochure



Concealed Hinge
Technical Sheet



Concealed Hinge
Handbook



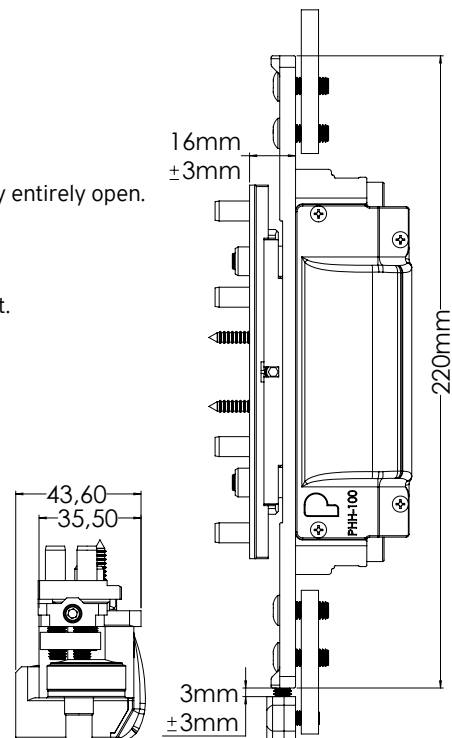
Concealed Hinge
Video

PHH-100

CONCEALED HINGE FOR FLAT DOOR SYSTEMS

Concealed Hinge System **PHH-100** which is designed to be compatible with flat door systems.

- Hinge provides **110°** degree opening angle in order to keep the passageway entirely open.
- Can be used on left-hand or right-hand doors.
- The hinge is delivered pre-assembled.
- Its innovative narrow design allows the use of a central thermal break gasket.
- Completely concealed creates a perfect aesthetic result.
- Excellent manufacturing quality.
- Can hold door weight up to **160kg**.
- Easy, independent and smooth adjustment in 3 directions :
 - horizontal $\pm 3\text{mm}$
 - vertical $\pm 3\text{mm}$
 - pressure $\pm 1,5\text{mm}$
- Due to the wide range of the horizontal adjustment, it can be used for aluminum systems with 14-18mm gap between profiles.
- Available in black - effect anodizing.





PHH-100

-
Concealed Hinge for flat door
Systems.



PHH-100-C1

-
Concealed Hinge for Conventional
Eurogroove Door Systems.



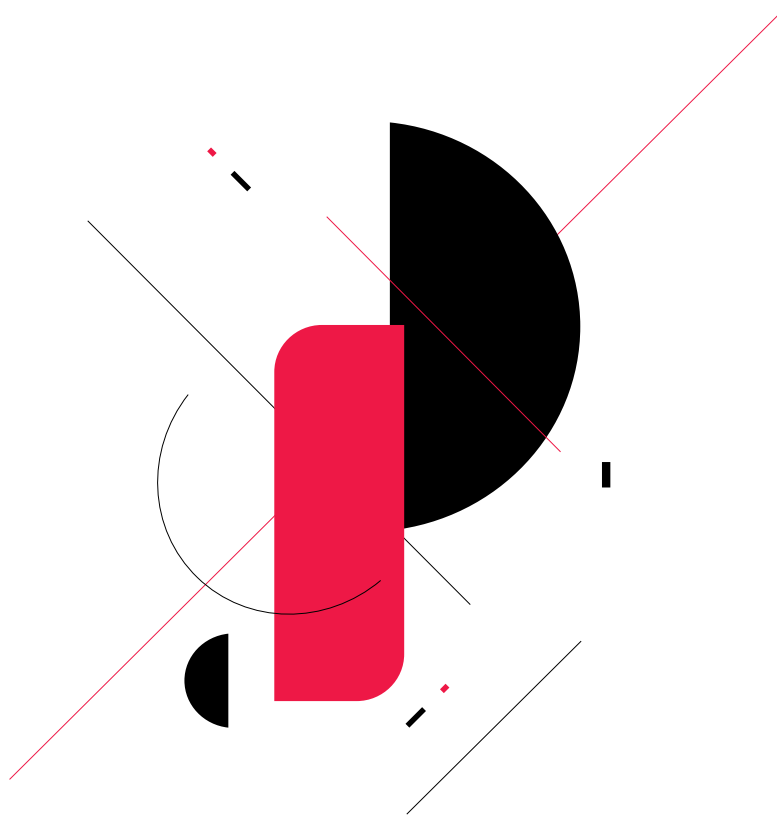
PHH-100-C2

-
Concealed Hinge for flat
EuroGroove Door Systems.



PHH-100-M1

-
Concealed Hinge for Multilock
Door Systems.



PIVOTING HANDLES



CONTENTS

PAGES

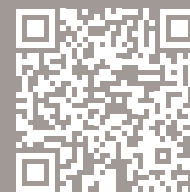


PIVOTING HANDLES

58 - 67



HA-1700	PIVOTING HANDLE
HA-2100	PIVOTING HANDLE
HA-1705	PIVOTING HANDLE
HA-2105	PIVOTING HANDLE
HA-50	FLUSH PULL-HANDLE



Go to website



PIVOTING HANDLES FOR LIFT & SLIDE OPENINGS



HA-2750	PIVOTING HANDLE
HA-2750-WL	PIVOTING HANDLE WITH LOCKING CYLINDER SOCKET
HA-100	FLUSH PULL-HANDLE

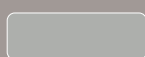


HANDLES

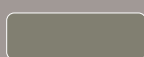


HA-1300	DOOR HANDLE
FDH-50	SLIDING DOOR / SHUTTER HANDLE

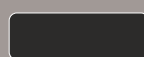
AVAILABLE SHADES



Natural
anodizing



Inox look
anodizing



Black
anodizing



Powder coating
with color op-
tions from the
RAL palette

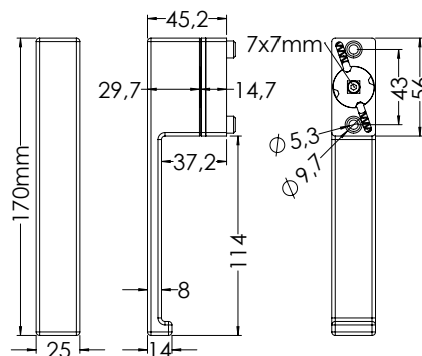


HA Line
Technical
Drawing

HA-1700 SOLID ALUMINIUM PIVOTING HANDLE

Aluminium handle **HA-1700** with unique design combining:

- Modern minimal aesthetics.
- Superior functionality and reliability.
- Applicable with absolute reliability in different types of systems (spindle **7X7mm**).

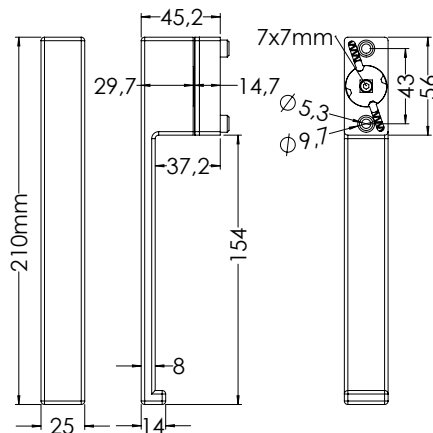




HA-2100
SOLID ALUMINIUM PIVOTING HANDLE

Aluminium handle **HA-2100** for lift and slide windows with unique design combining:

- Modern minimal aesthetics.
- Superior functionality and reliability.
- Applicable with absolute reliability in different types of systems (spindle **7X7mm**).



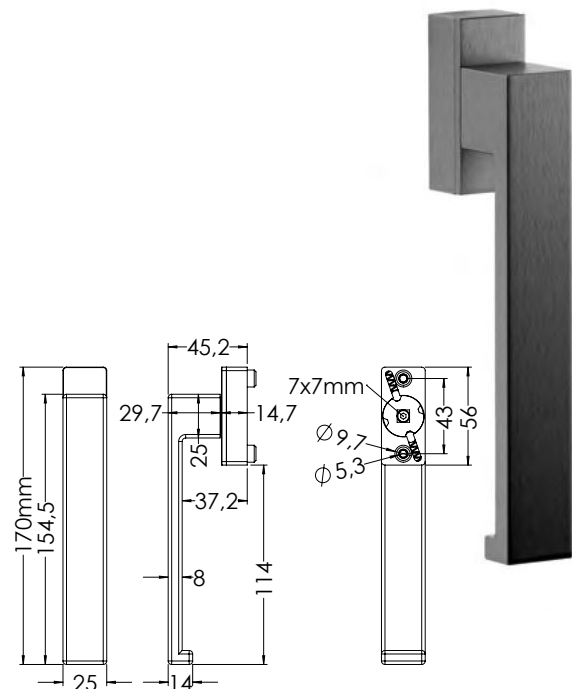


HA-1705

SOLID ALUMINIUM PIVOTING HANDLE

Aluminium handle **HA-1705** with unique design combining:

- Modern minimal aesthetics.
- Superior functionality and reliability.
- Applicable with absolute reliability in different types of systems (spindle **7X7mm**).



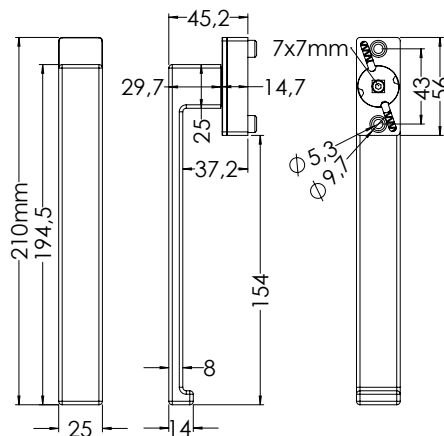


HA-2105

SOLID ALUMINIUM PIVOTING HANDLE

Aluminium handle **HA-2105** for lift and slide windows with unique design combining:

- Modern minimal aesthetics.
- Superior functionality and reliability.
- Applicable with absolute reliability in different types of systems (spindle **7X7mm**).



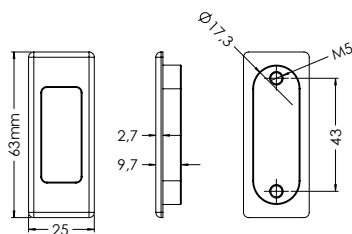


HA-50

SOLID ANODIZED ALUMINIUM FLUSH-PULL HANDLE

The **HA-50** flush-pull handle is placed on the exterior part of the window and is combined with the:

HA-1700, HA-1705, HA-2100, HA-2105.

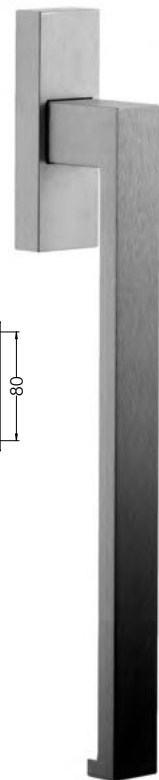
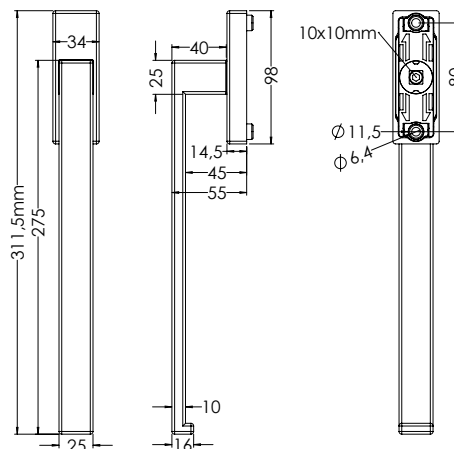




HA-2750
SOLID ALUMINIUM PIVOTING HANDLE
FOR LIFT & SLIDE OPENINGS

Aluminium handle **HA-2750** for lift and slide windows with unique design offering:

- Modern aesthetics.
- Superior functionality and reliability.
- Heavy-duty type for large windows.
- Applicable with absolute reliability in different types of systems (spindle **10x10mm**).



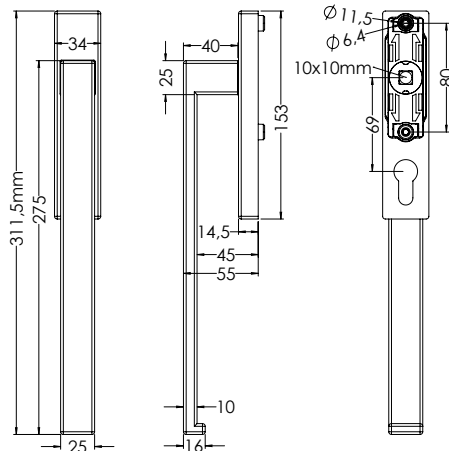


HA-2750-WL

SOLID ALUMINIUM PIVOTING HANDLE
FOR LIFT & SLIDE OPENINGS
WITH LOCKING CYLINDER SOCKET

Aluminium handle **HA-2750-WL** for lift and slide windows with -unique design combining:

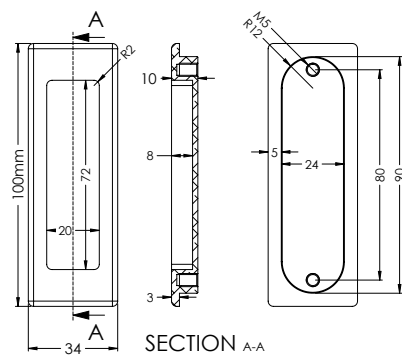
- Modern aesthetics.
- Superior functionality and reliability.
- Heavy-duty type for large windows.
- Applicable with absolute reliability in different types of systems (spindle **10x10mm**).





HA-100
SOLID ANODIZED ALUMINIUM
FLUSH PULL HANDLE

The **HA-100** flush-pull handle is placed on the exterior part of the window and is ideally combined with the **HA-2750** handle.



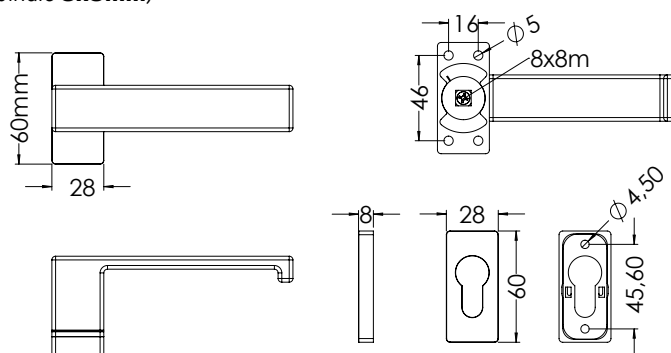
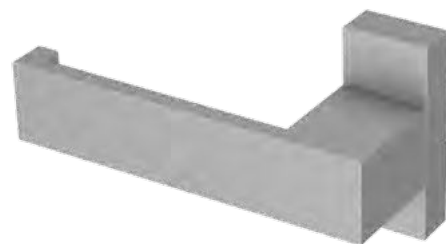


HA-1300 & ROSETTE

ANODIZED ALUMINIUM HANDLE FOR INTERIOR OR EXTERIOR DOORS

Spring loaded **HA-1300** double handle for internal and external doors supplied with key rosette, offering providing.

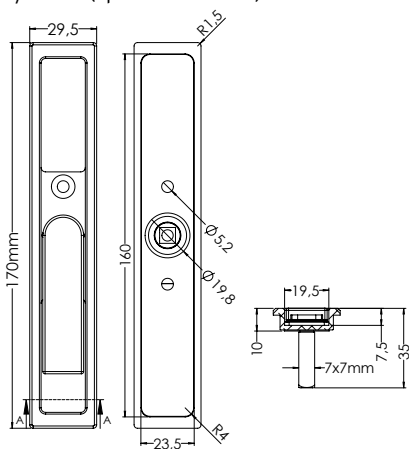
- Minimal aesthetics.
- Superior functionality and reliability.
- Applicable with absolute reliability in numerous types of systems (spindle **8x8mm**)

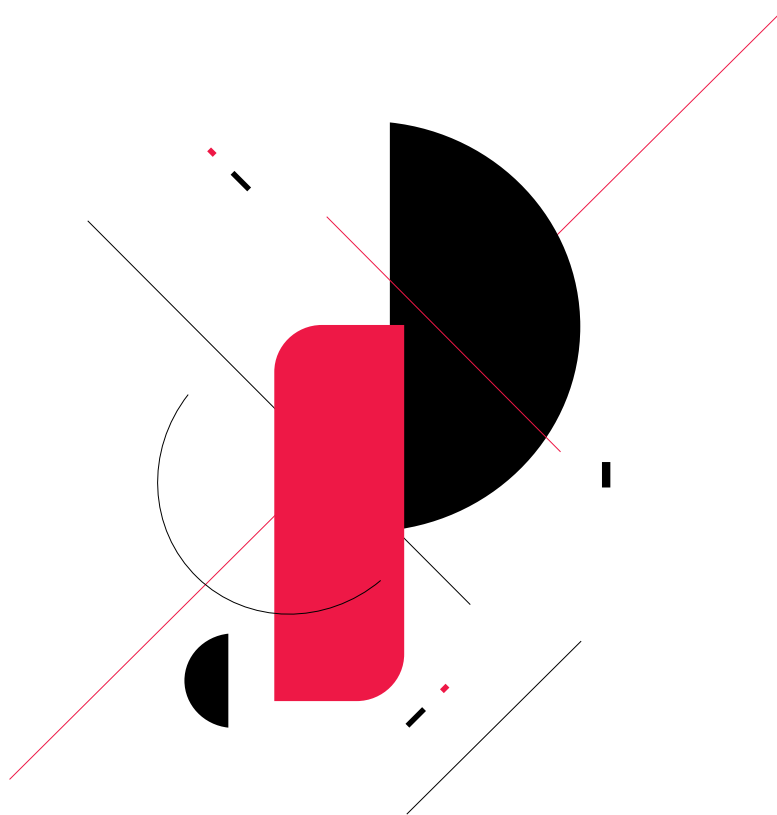




FDH-50
 POP-UP ANODIZED ALUMINIUM
 HANDLE FOR SLIDING DOORS AND SHUTTERS

- Modern aesthetics.
- Superior functionality and reliability.
- Rotate angle: **0°, 90°, 180°**.
- Applicable with absolute reliability in numerous types of systems (spindle **7x7mm**)





PULL HANDLES



PAGES

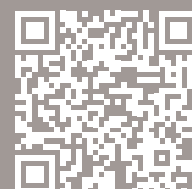
70 - 76



INOX PULL HANDLE



INOX-100	INOX PULL HANDLE, AISI 316L
INOX-145	INOX PULL HANDLE (AISI 316L)
INOX-350	INOX PULL HANDLE (AISI 316L)
INOX-430	INOX PULL HANDLE (AISI 304)
INOX-400	INOX PULL HANDLE (AISI 316L)
INOX-500	INOX PULL HANDLE (AISI 316L)
INOX600	INOX PULL HANDLE (AISI 316L)
INOX-700	INOX PULL HANDLE (AISI 316L)



Go to website



ANODIZED PULL HANDLE



ALU-100	ANODIZED, PULL HANDLE
ALU-800	ANODIZED, PULL HANDLE
ALU-810	ANODIZED, PULL HANDLE



DOOR KIT



A-101	FOR THERMAL BRAKE DOORS, SINGLE INSTALLATION
A-102	FOR GLASS PANEL OR ALUMINIUM DOORS, DOUBLE INSTALALTION
A-103	FOR GLASS PANEL OR ALUMINIUM DOORS, SINGLE INSTALLATION
A-104	FOR ALUMINIUM DOORS, SINGLE INSTALLATION
A-105	FOR ALUMINIUM OR SECURITY DOORS, SINGLE INSTALLATION

AVAILABLE SHADES



Brushed
inox



Brushed
aluminium



INOX-100

INOX HANDLE (AISI 316L)

-

- Straight handle **Ø30mm**.
- Available lengths:

L500mm, D360mm

L600mm, D400mm

L800mm, D600mm

L1000mm, D800mm

L1200mm, D1000mm

L1600mm, D1400mm

L2000mm, D1800mm

INOX-145

INOX HANDLE (AISI 316L)

-

- Straight handle **Ø30mm** (fittings 45°).
- Available lengths:

L500mm, D360mm

L600mm, D400mm

L800mm, D600mm

L1000mm, D800mm

L1200mm, D1000mm

L1600mm, D1400mm

L2000mm, D1800mm



INOX-350

INOX HANDLE (AISI 316L)

- Straight handle **Ø35mm**.
- Available lengths:

L1200mm, D1000mm

L1600mm, D1400mm

L2000mm, D1800mm

INOX-430

INOX HANDLE (AISI 304)

- Straight handle **40x30mm**.
- Available lengths:

L1000mm

L1200mm

L1600mm

L2000mm

**INOX-400**

INOX HANDLE (AISI 316L)

- Straight handle **Ø30mm** with adjustable anodized aluminium brackets.
- Available lengths:

from **L600mm** to **L1600mm****INOX-500**

INOX HANDLE (AISI 316L)

- Straight handle **Ø35mm** with adjustable anodized aluminium brackets.
- Available lengths:

from **L1200mm** to **L2000mm**



INOX-600

INOX HANDLE (AISI 316L)

- straight handle **Ø22mm**.
- Available lengths:
L288mm, D190mm.



INOX-700

INOX HANDLE (AISI 316L)

- **AISI 316L** straight handle **Ø22mm**.
- Available in **L288mm D190mm**.
- With adjustable anodized aluminium brackets.
- Available lengths:
L288mm



ALU 100
Technical Sheet

ALU-100 ALUMINIUM HANDLE

- Straight handle **Ø30mm**.
- Available lengths:

L400mm, D260mm

L500mm, D360mm

L600mm, D400mm

L800mm, D600mm

L1000mm, D800mm

L1200mm, D1000mm

L1600mm, D1400mm



ALU 800
Technical Sheet

ALU-800 ANODIZED ALUMINIUM HANDLE

- Straight anodized aluminium handle **40x10mm** (straight internal fittings).
- Available lengths:

L500mm, D360mm

L800mm, D600mm



ALU-810
Technical Sheet

ALU-810

ANODIZED ALUMINIUM HANDLE

- Straight anodized aluminium handle **40x10mm** (flat linear external fittings).
- Available lengths:

L500mm, D360mm

L800mm, D600mm



A-101

-

KIT with special screw **L-55mm** for thermal brake aluminium doors **(single installation)**.



A-102

-

KIT with **M6 rod** for double handle installation on glass and aluminium doors.



A-103

-

KIT with **M6 rod + nuts** for single handle installation on glass and aluminium doors.



A-104

-

KIT with pressure **nut M8** for single handle installation on aluminium doors (for double installation KIT x2 times).



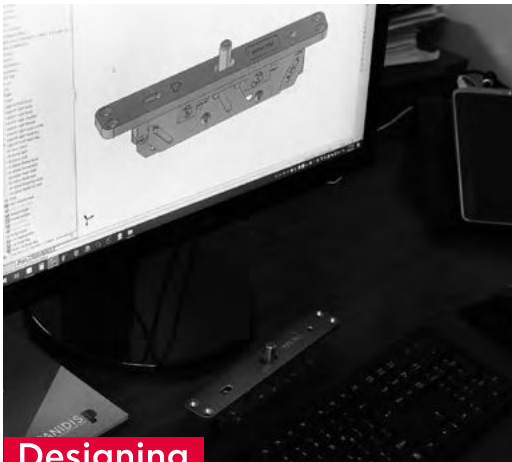
A-105

-

KIT with st6,3X50 tapping screw.

CUSTOM SOLUTIONS

Experience architectural hardware innovation with PANIDIS S.A. From initial design to prototyping, efficient planning, and precision manufacturing, our dedication to excellence ensures tailor-made solutions that adhere to the highest global standards.



Designing

We start by comprehensively understanding your vision. Our engineers collaborate closely with you to craft distinctive architectural hardware, ensuring each product precisely aligns with your preferences and system requirements.



Prototyping

Meticulous prototyping is the next step in our process. We craft prototypes for your specialized architectural hardware, evaluating and refining them to meet the highest standards of quality and functionality. This phase ensures precision in every detail.



Planning

Efficiency and precision take center stage in our planning phase. We meticulously schedule and manage every project, ensuring timely delivery and adherence to your specifications. Our streamlined approach guarantees the success of your project.



Manufacturing

The heart of PANIDIS SA lies in our manufacturing prowess. Equipped with advanced CNC machines and production lines, our manufacturing process adheres to the highest international standards. Our Quality Control department guarantees the integrity of the final product, ensuring impeccable finishes and timely deliveries worldwide.



OUR PARTNERS



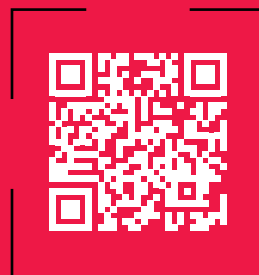
ÇUHADAROĞLU



ETEM



Find us on social media



PANIDIS-SA
Scan to download
the product catalogue

PANIDIS SA

Headquarters & Factory

11th km Old National Road
Thessaloniki - Kilkis
P.O. Box 141 • P.C. 570 08
Ionia • Thessaloniki • Greece

T +30 2310 0 780 352
+30 2310 784 519
F +30 2310 783 764
E info@panidis-sa.com

Athens Branch

38 Chr. Lada & Lisia
P.C. 121 32
Peristeri • Athens • Greece

T +30 210 5155 430
+30 210 5155 439
F +30 210 5155 434
E athina@panidis-sa.com