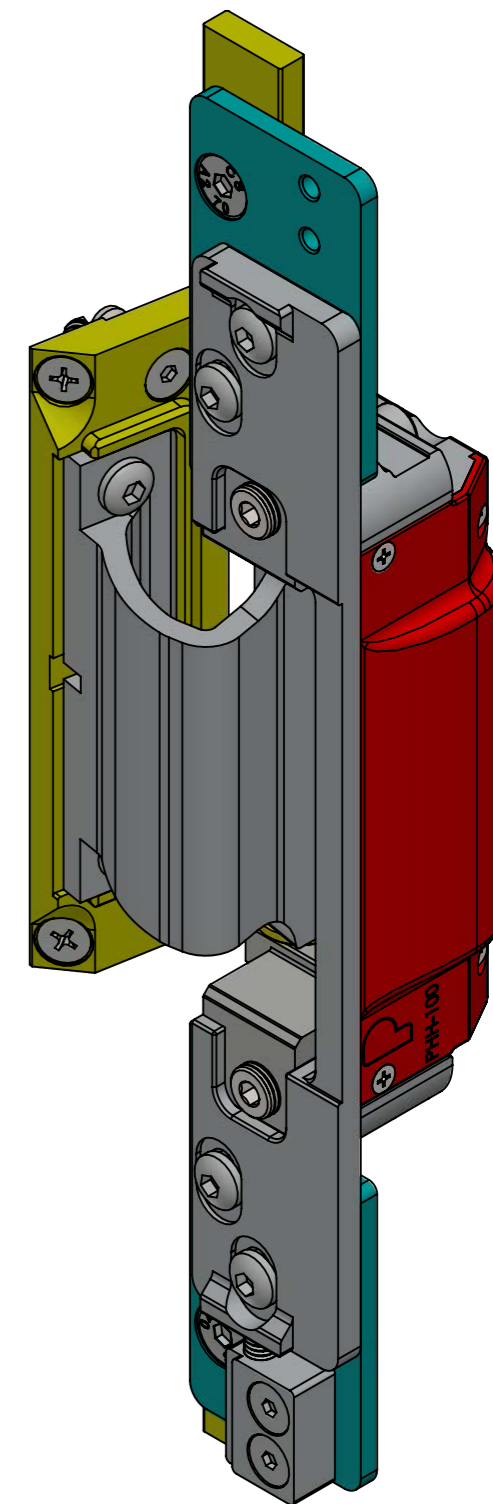
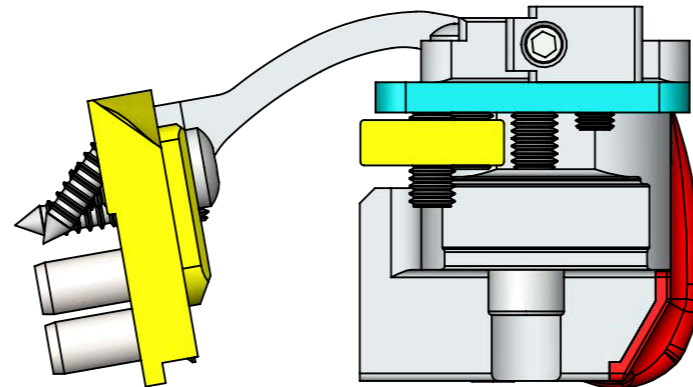
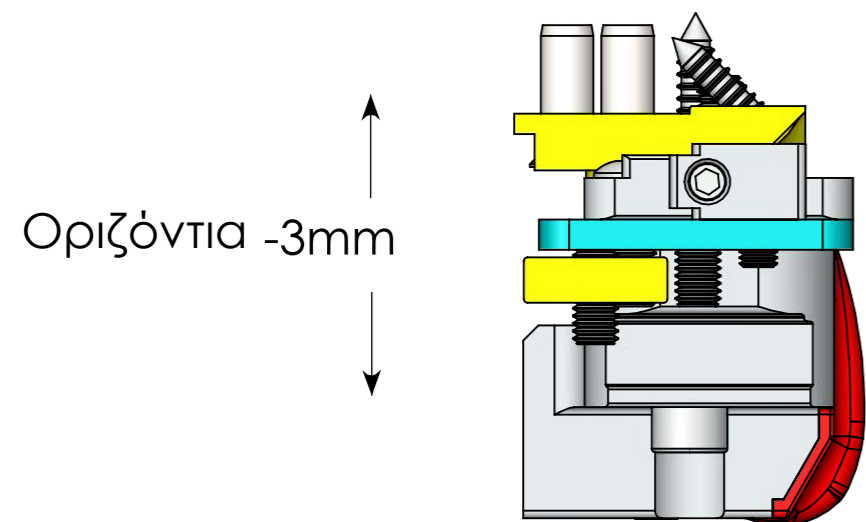
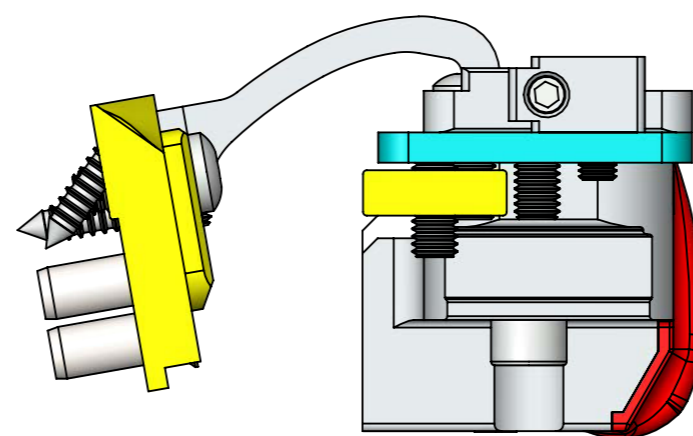
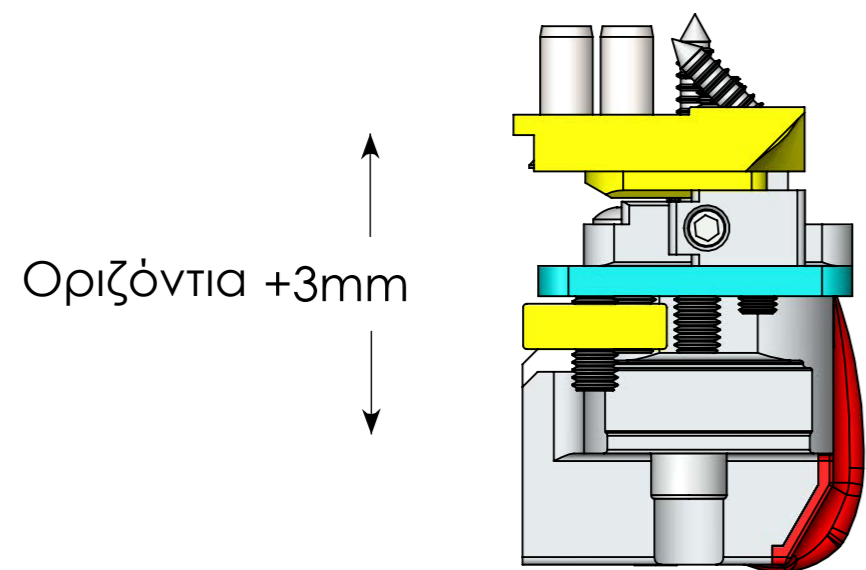
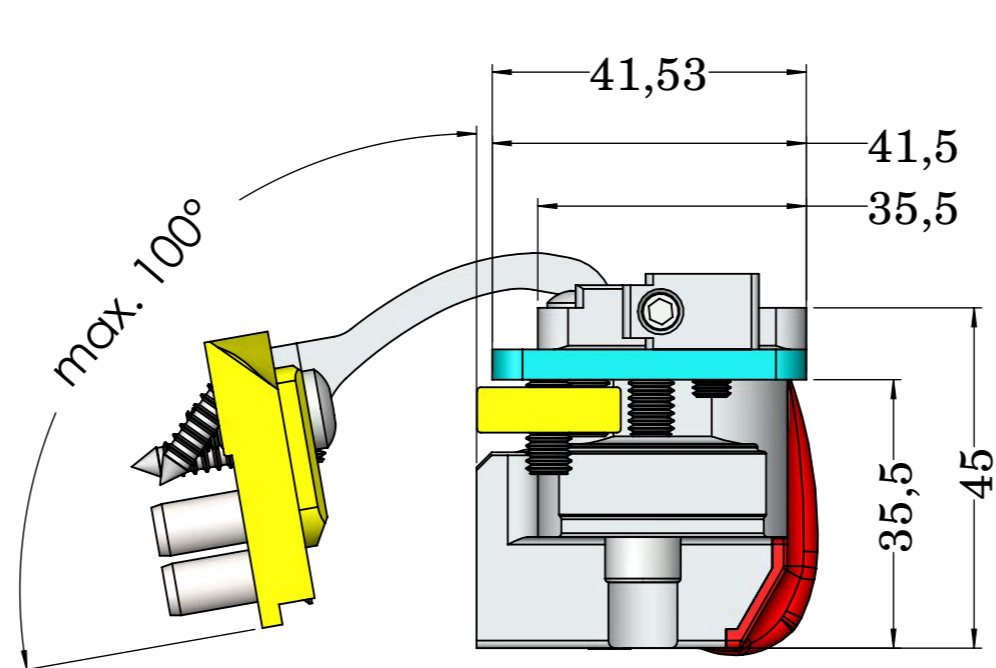
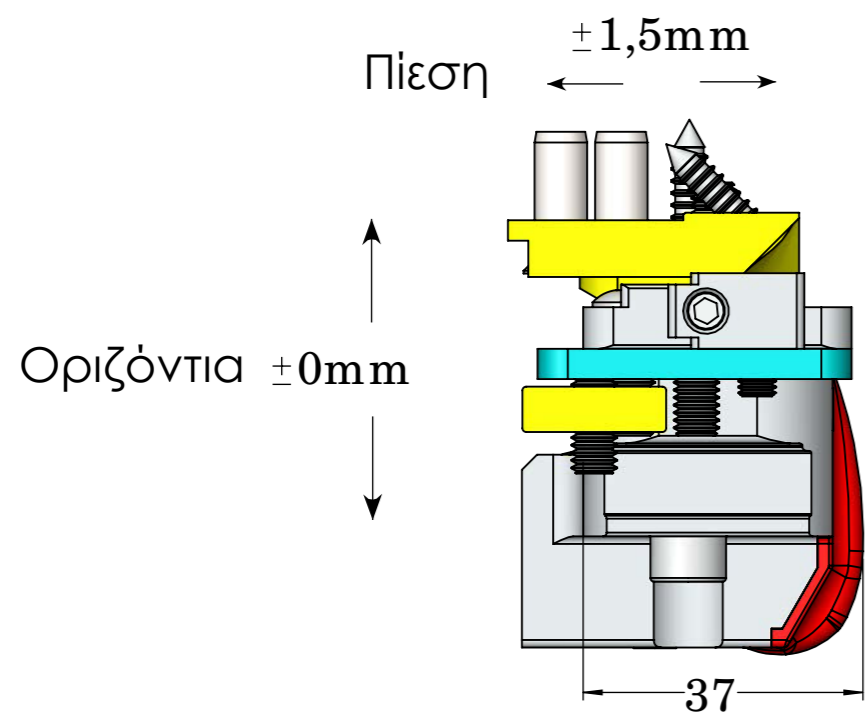
 <p>PANIDIS MAKEDONIKI - ALUMINIUM SYSTEM COMPONENTS</p>		
<p>PANIDIS SA PRODUCTION OF ALUMINIUM RAILING SYSTEMS & ACCESSORIES TEL: +30 2310 780352-784 519, FAX: +30 2310 783764 www.panidis-sa.com e-mail: info@panidis-sa.com</p>		
DWG NO.		PHH-100-C 1
MATERIAL:	DATE: 9/9/2022	WEIGHT:
REVISION:	DO NOT SCALE DRAWING	
UNLESS OTHERWISE SPECIFIED: DIMENSIONS ARE IN MILLIMETERS		SHEET 1 OF 2
TOLERANCES:	LINEAR: ANGULAR:	SCALE 1:1
		A3



DWG NO.		PHH-100-C 1	
MATERIAL:	DATE: 9/9/2022	WEIGHT:	DO NOT SCALE DRAWING
UNLESS OTHERWISE SPECIFIED: DIMENSIONS ARE IN MILLIMETERS		SHEET 2 OF 2	
TOLERANCES:	LINEAR: ANGULAR:	SCALE 1:1	A3