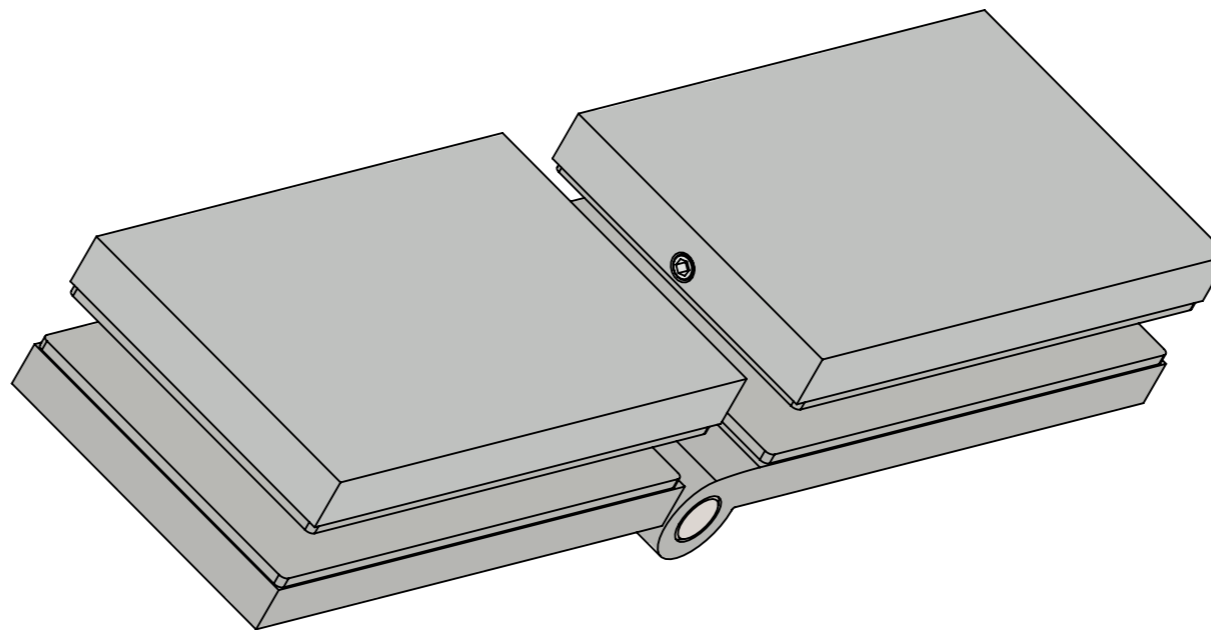


SCALE 1 : 2



**PANIDIS** P  
 MAKEDONIKI • ALUMINIUM SYSTEM COMPONENTS

PANIDIS S.A  
 PRODUCTION OF ALUMINIUM RAILING SYSTEMS & ACCESSORIES  
 TEL: +30 2310 780352-784 519, FAX: +30 2310 783764  
 www.panidis-sa.com e-mail: info@panidis-sa.com

DWG NO.

GH-20

MATERIAL:

WEIGHT:

REVISION: DATE: 5/4/2021

DO NOT SCALE DRAWING

UNLESS OTHERWISE SPECIFIED:  
 DIMENSIONS ARE IN MILLIMETERS

SHEET 4 OF 4

TOLERANCES: LINEAR:  
 ANGULAR:

SCALE: 1:1

A3