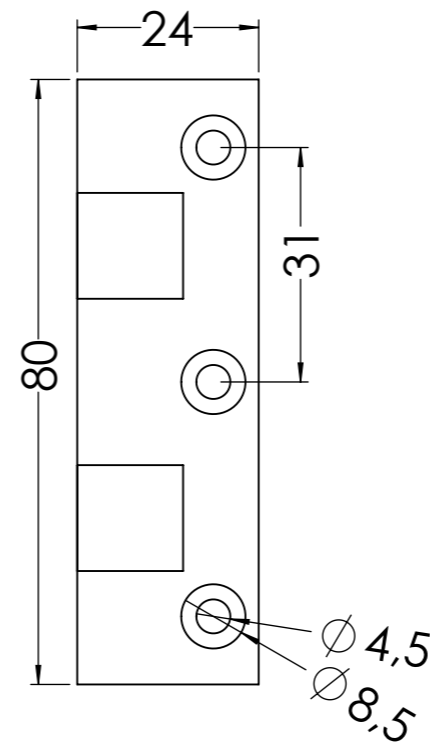
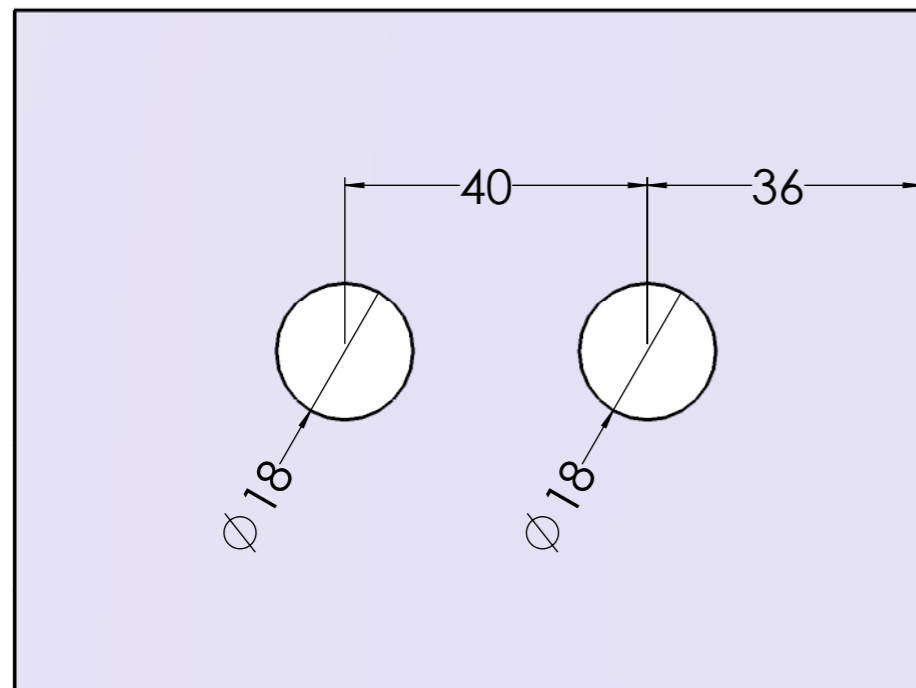
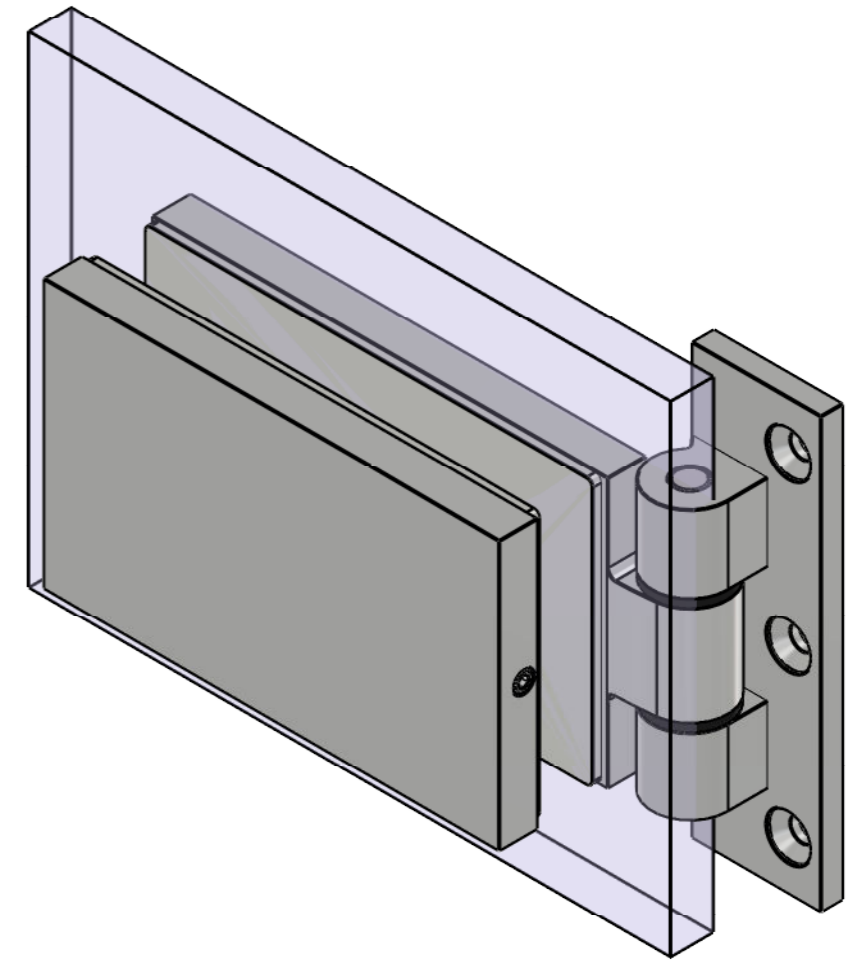
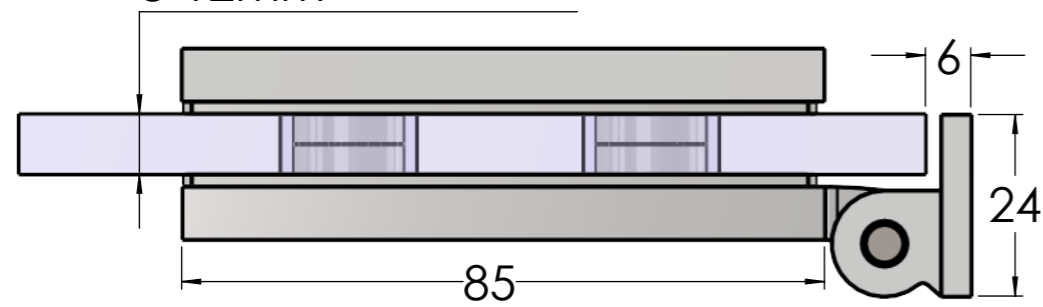


Πάχος υαλοπίνακα
8-12mm



PANIDIS 
MAKEDONIKI • ALUMINIUM SYSTEM COMPONENTS

PANIDIS S.A.
PRODUCTION OF ALUMINIUM RAILING SYSTEMS & ACCESSORIES
TEL: +30 2310 780352-784 519, FAX: +30 2310 783764
www.panidis-sa.com e-mail: info@panidis-sa.com

DWG NO.

GH-10

MATERIAL: ANODIZED ALUMINIUM

WEIGHT:

REVISION: DATE:

DO NOT SCALE DRAWING

UNLESS OTHERWISE SPECIFIED:
DIMENSIONS ARE IN MILLIMETERS

SHEET 3 OF 4

TOLERANCES: LINEAR: ANGULAR:

SCALE: 1:1

A3