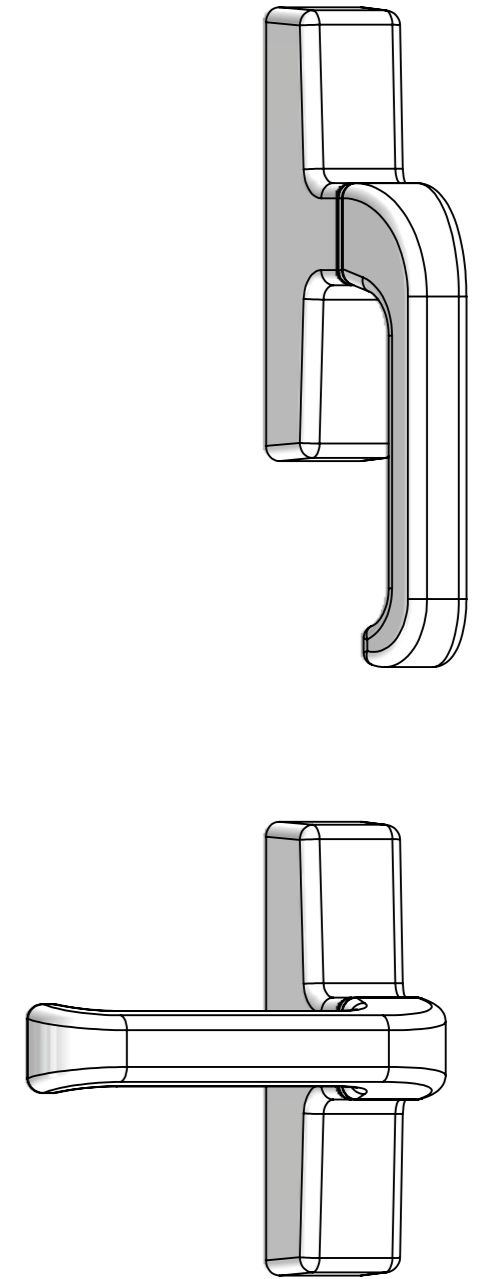
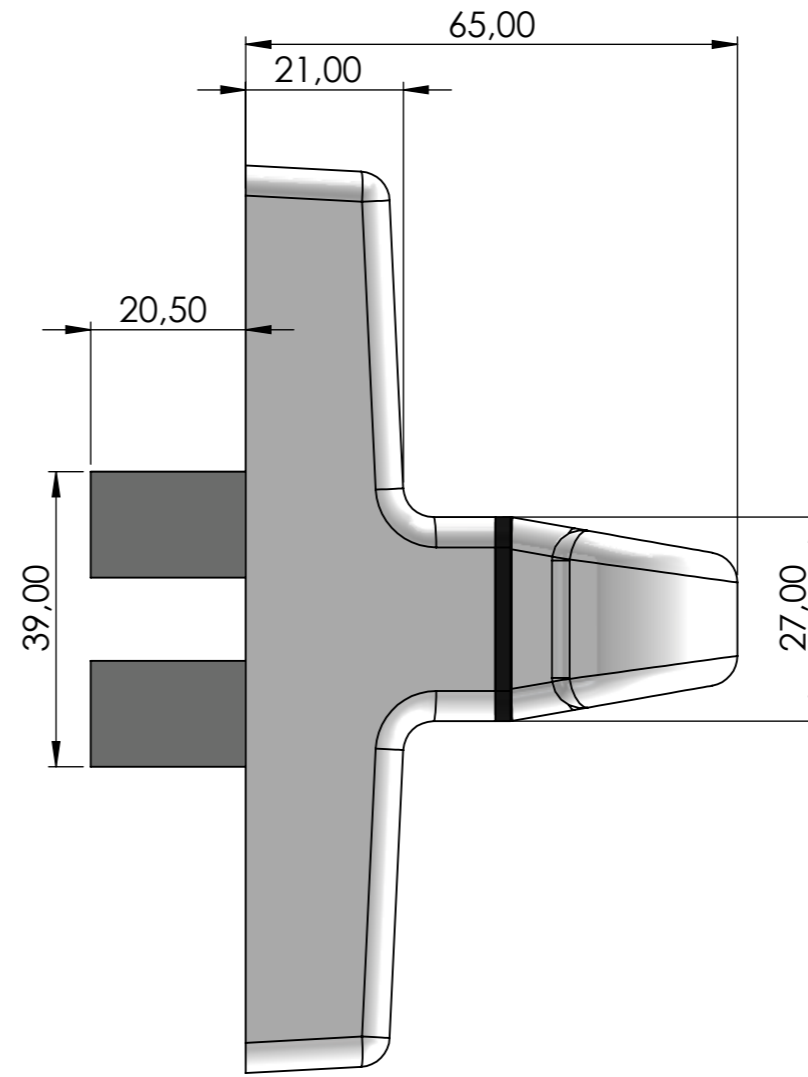
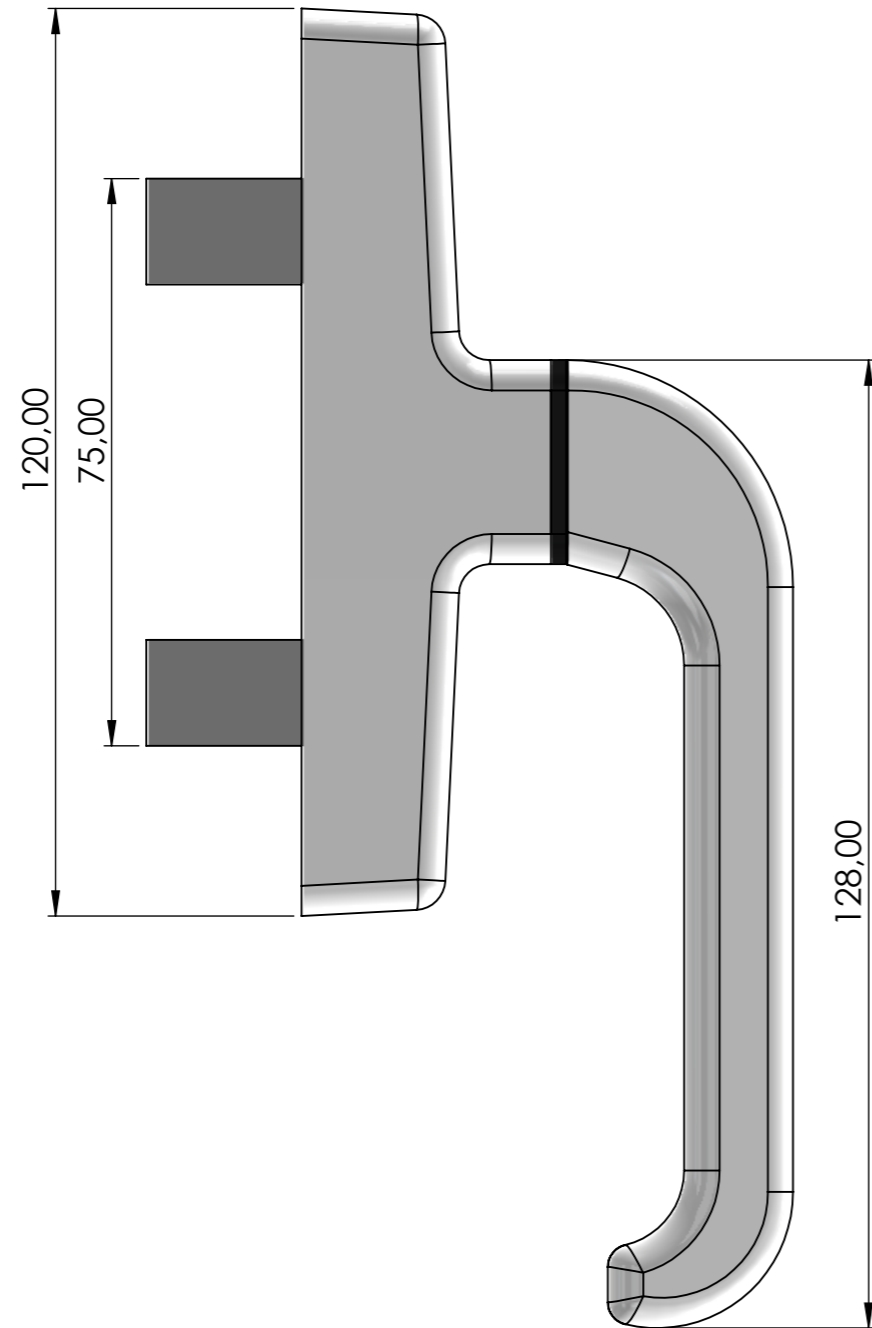
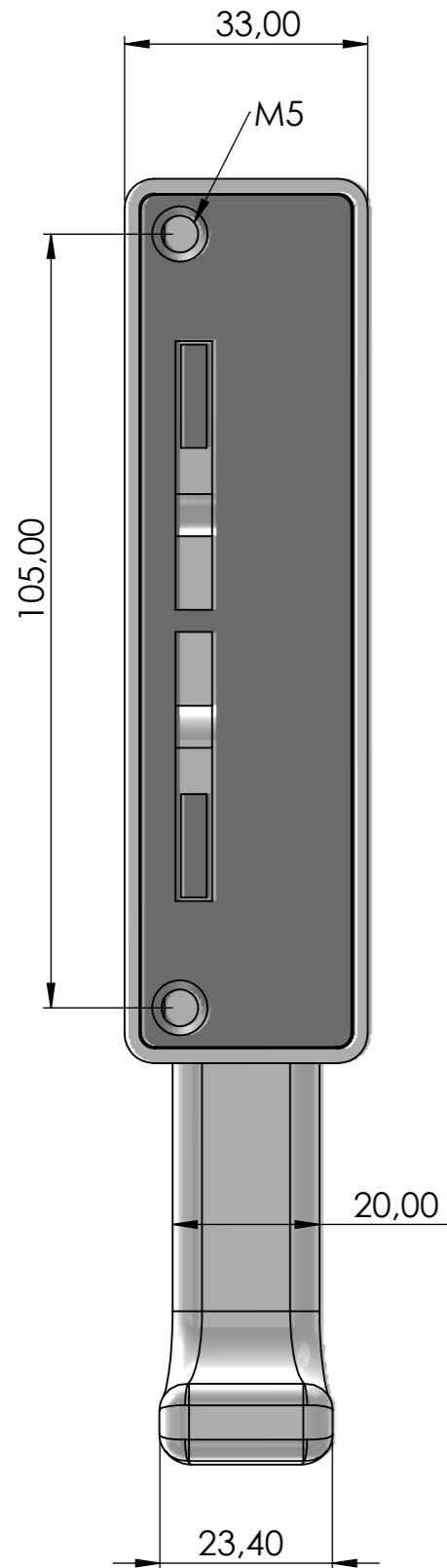


PANIDIS S.A.
 PRODUCTION OF ALUMINUM RAILING SYSTEMS & ACCESSORIES
 TEL: +30 2310 780352-784 519, FAX: +30 2310 783764
 www.panidis-sa.com e-mail: info@panidis-sa.com

DWG NO. **SS-557**

MATERIAL:	WEIGHT:
DATE: 23/11/2023	DO NOT SCALE DRAWING
UNLESS OTHERWISE SPECIFIED: DIMENSIONS ARE IN MILLIMETERS	SHEET 1 OF 1
TOLERANCES: LINEAR: ANGULAR:	SCALE: 1:1

A3



PANIDIS 
 ΠΑΝΙΔΙΣ Σ.Α. ΑΛΥΜΙΝΙΟΥ ΣΥΣΤΗΜΑΤΩΝ ΚΑΙ ΠΡΟΣΒΑΝΤΩΝ

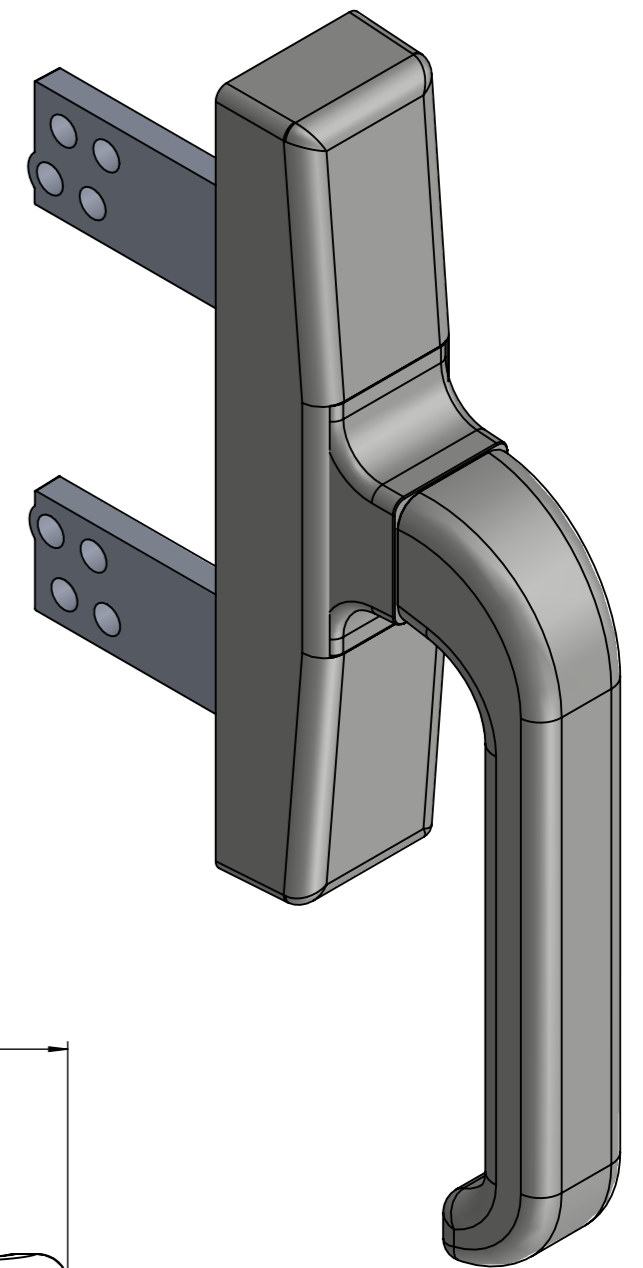
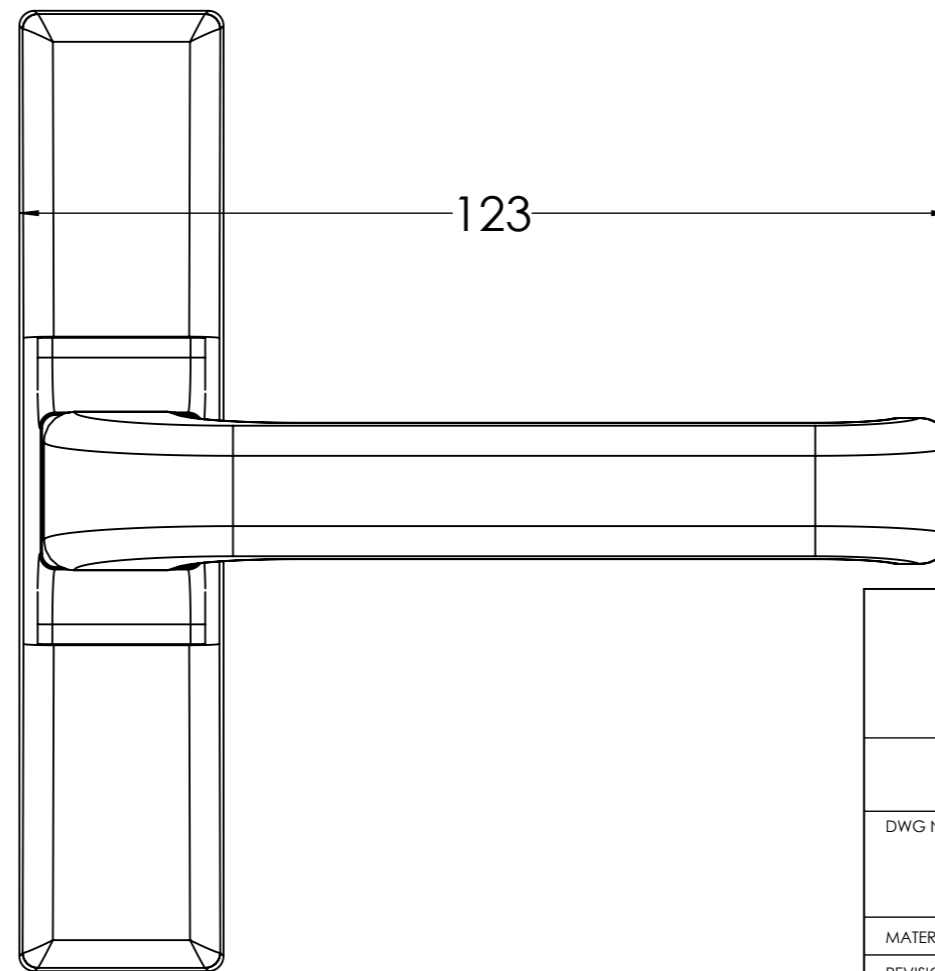
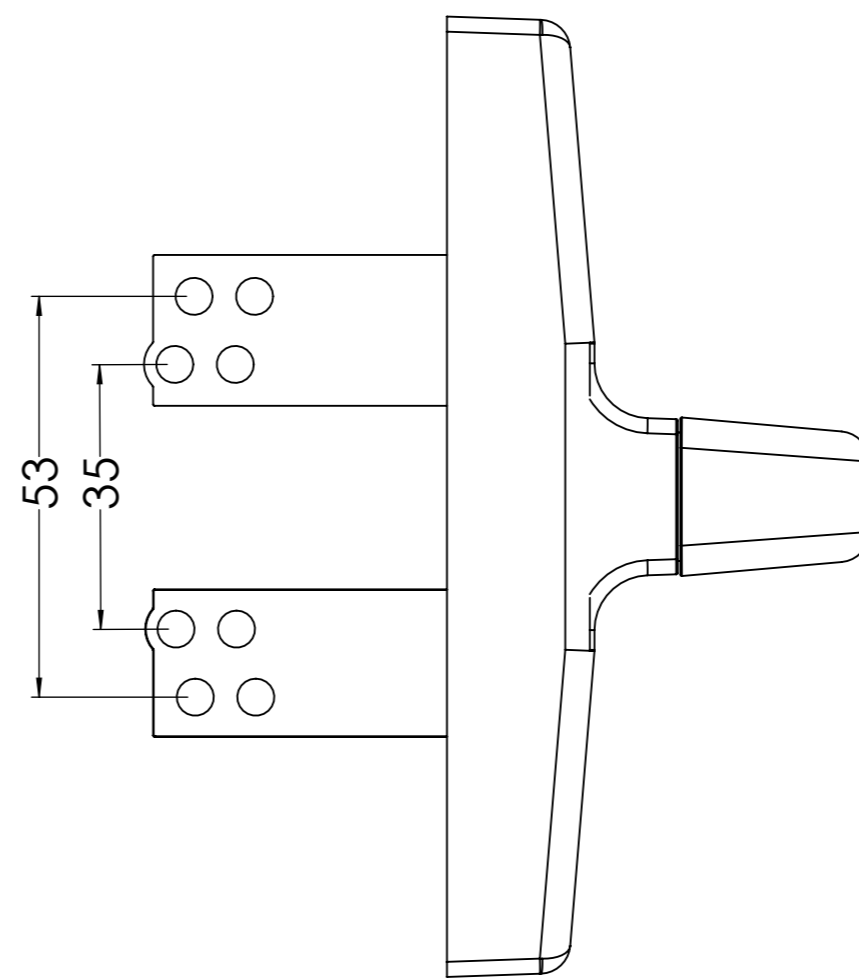
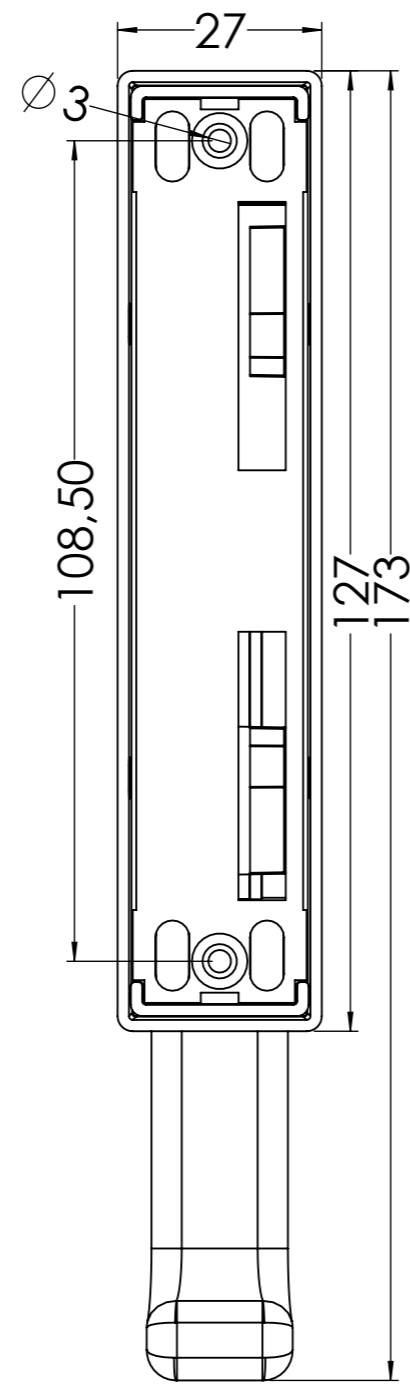
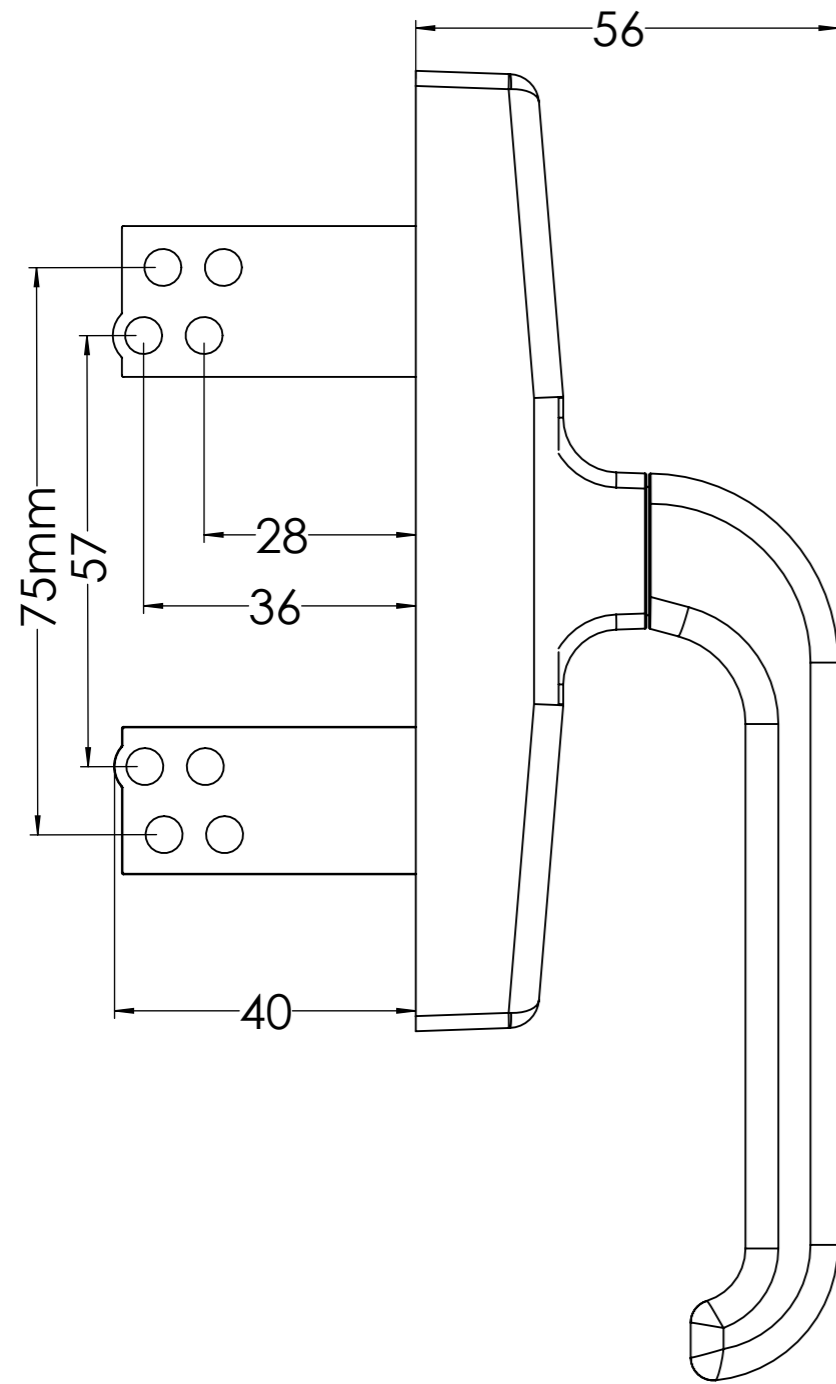
PANIDIS S.A.
 PRODUCTION OF ALUMINUM RAILING SYSTEMS & ACCESSORIES
 TEL: +30 2310 780352-784 519, FAX: +30 2310 783764
 www.panidis-sa.com e-mail: info@panidis-sa.com

DWG NO.

XS-100

MATERIAL:	DATE: 15/11/2023	WEIGHT:	DO NOT SCALE DRAWING
UNLESS OTHERWISE SPECIFIED: DIMENSIONS ARE IN MILLIMETERS		SHEET 1 OF 1	
TOLERANCES:	LINEAR: ANGULAR:	SCALE: 1:1	

A3



PANIDIS 
 MAKEDONIKI • ALUMINIUM SYSTEM COMPONENTS

PANIDIS S.A.
 PRODUCTION OF ALUMINIUM RAILING SYSTEMS & ACCESSORIES
 TEL: +30 2310 780352-784 519, FAX: +30 2310 783764
 www.panidis-sa.com e-mail: info@panidis-sa.com

DWG NO.

XS-200

MATERIAL:

WEIGHT:

REVISION:

DATE: 19/1/2022

DO NOT SCALE DRAWING

UNLESS OTHERWISE SPECIFIED:
 DIMENSIONS ARE IN MILLIMETERS

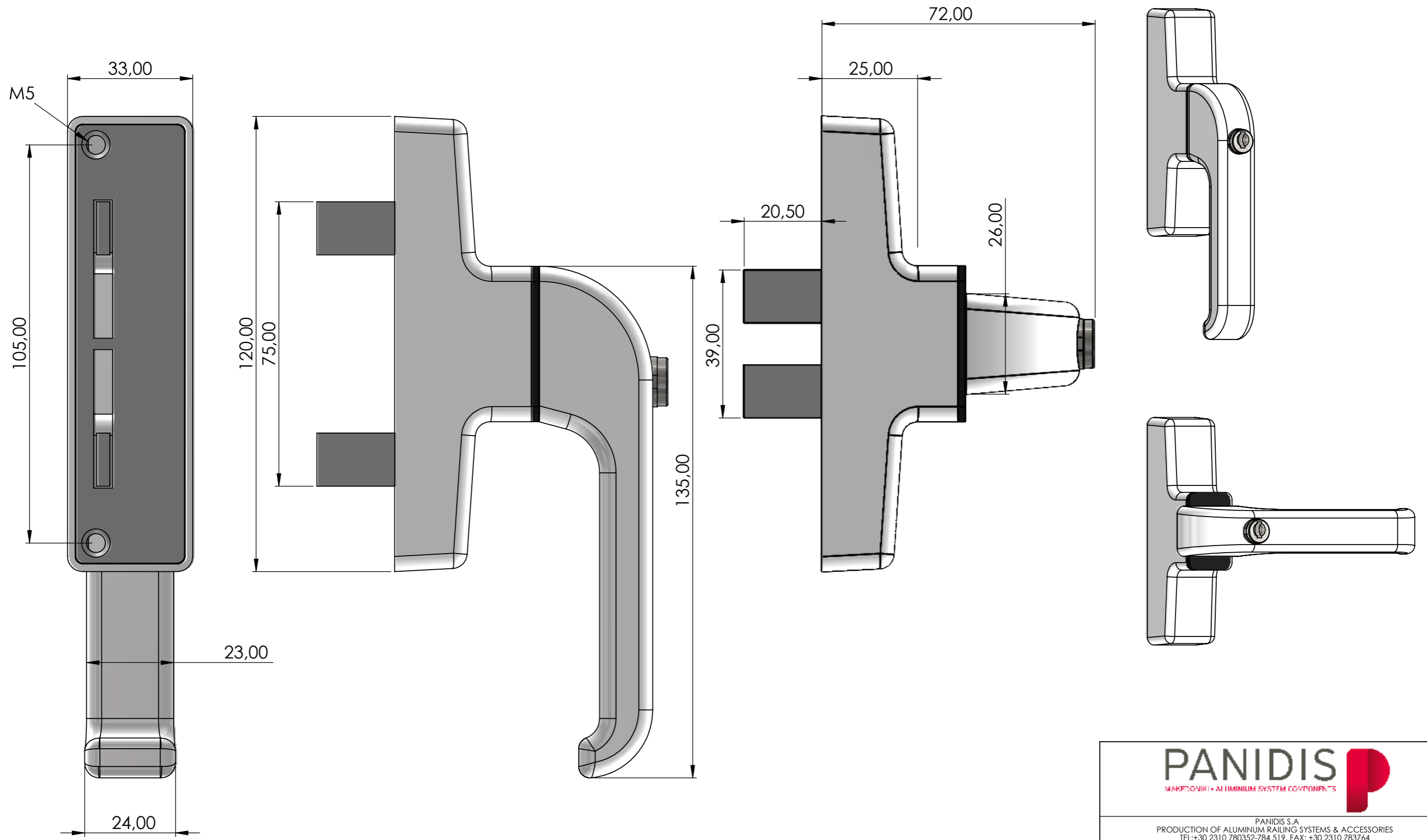
SHEET 1 OF 1

TOLERANCES:

LINEAR:
 ANGULAR:

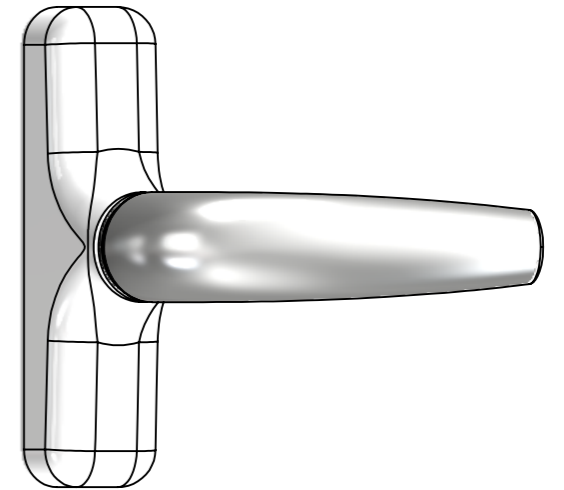
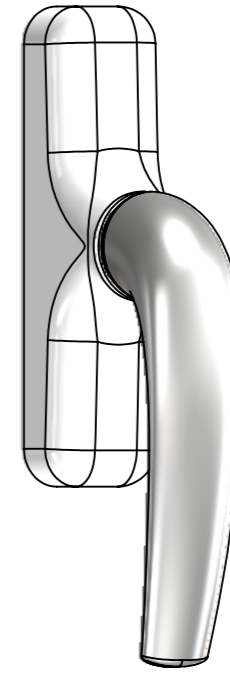
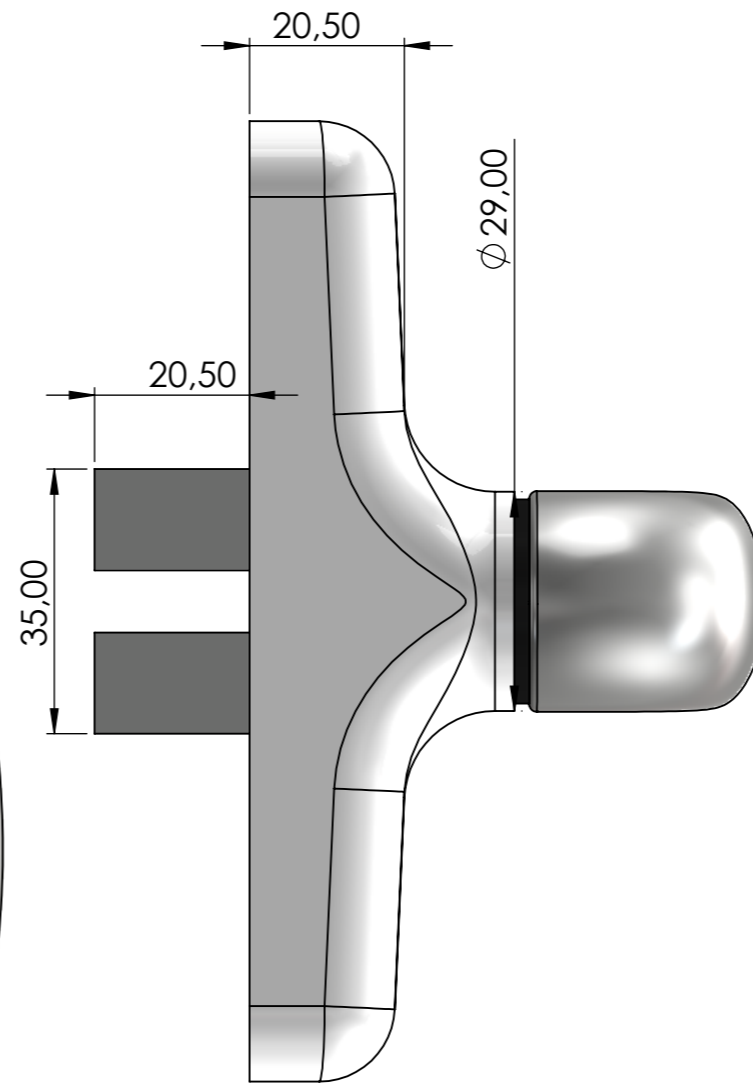
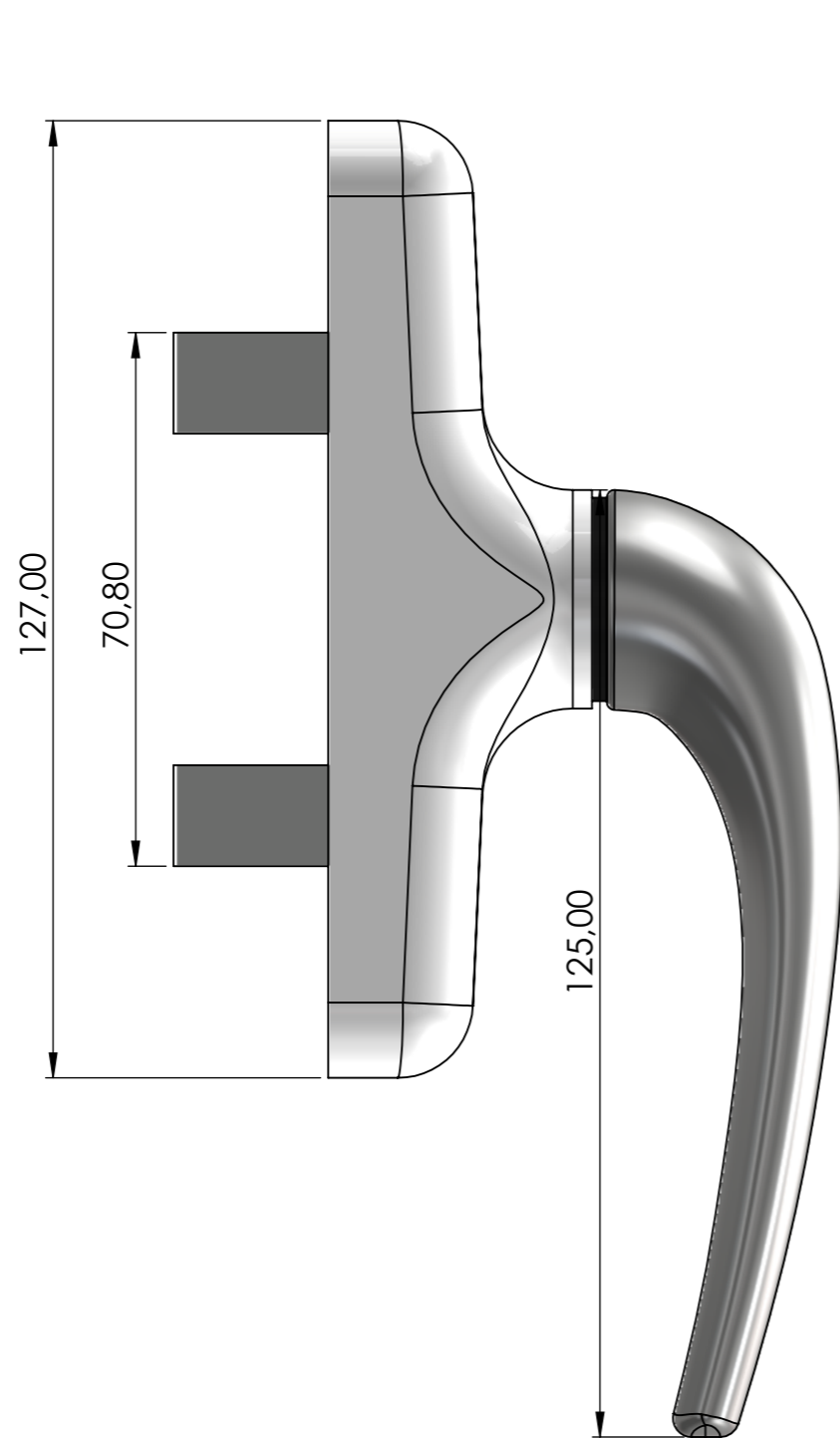
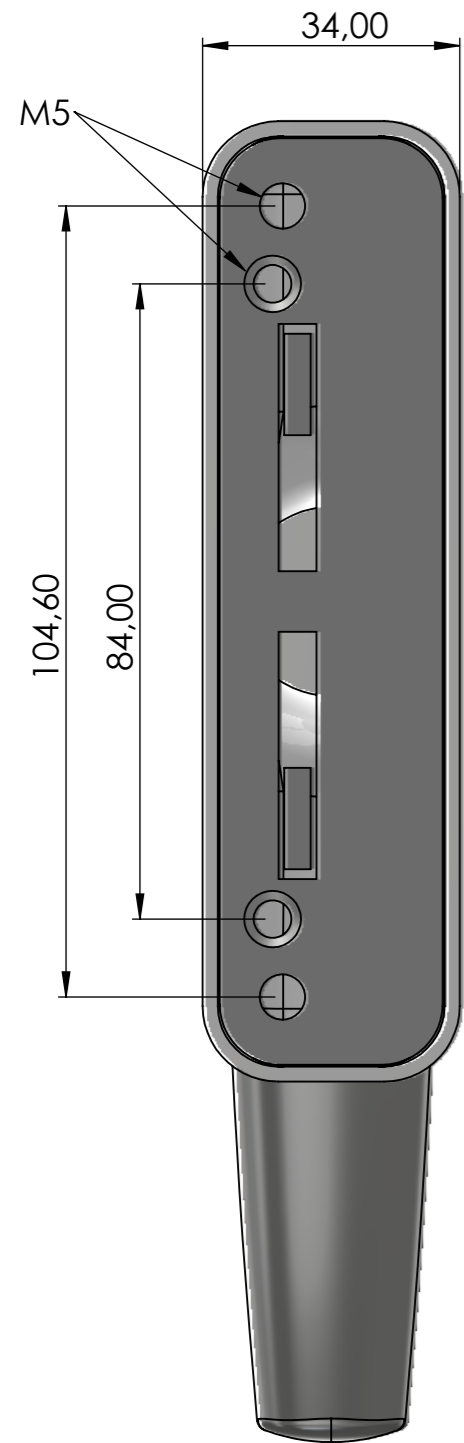
SCALE: 1:1

A3



PANIDIS S.A
 PRODUCTION OF ALUMINUM RAILING SYSTEMS & ACCESSORIES
 TEL: +30 2310 780352-784 519, FAX: +30 2310 783764
 www.panidis-sa.com e-mail: info@panidis-sa.com

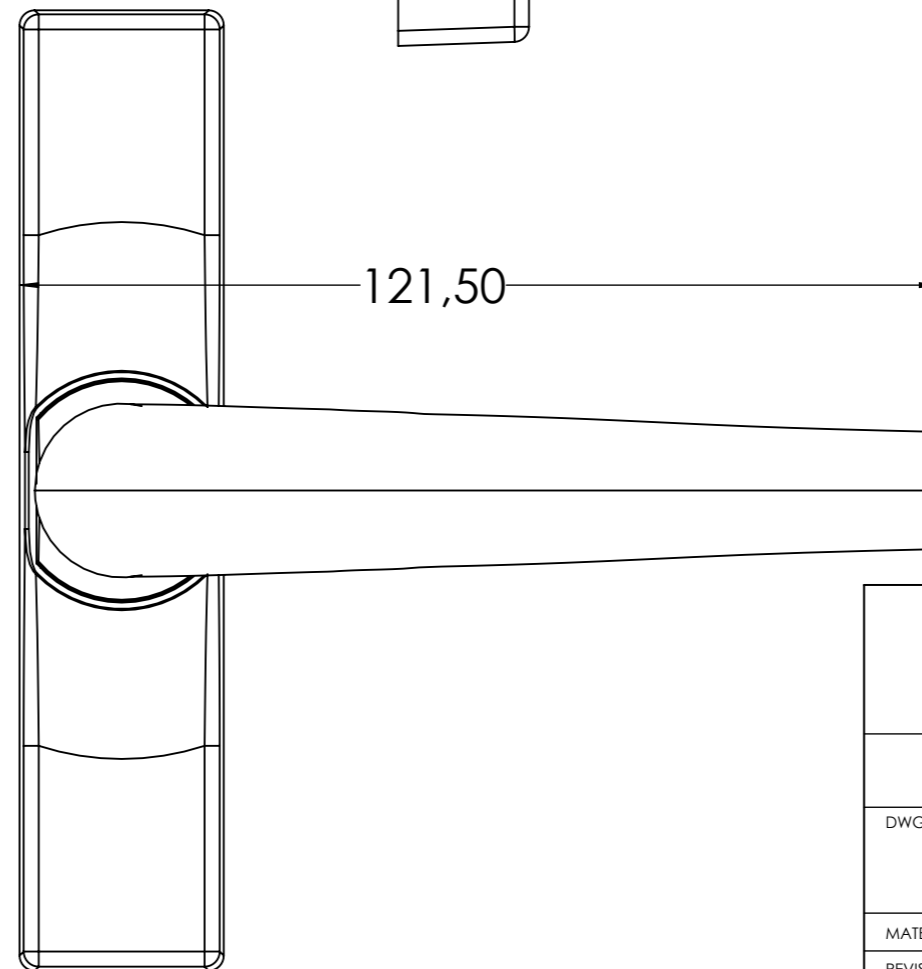
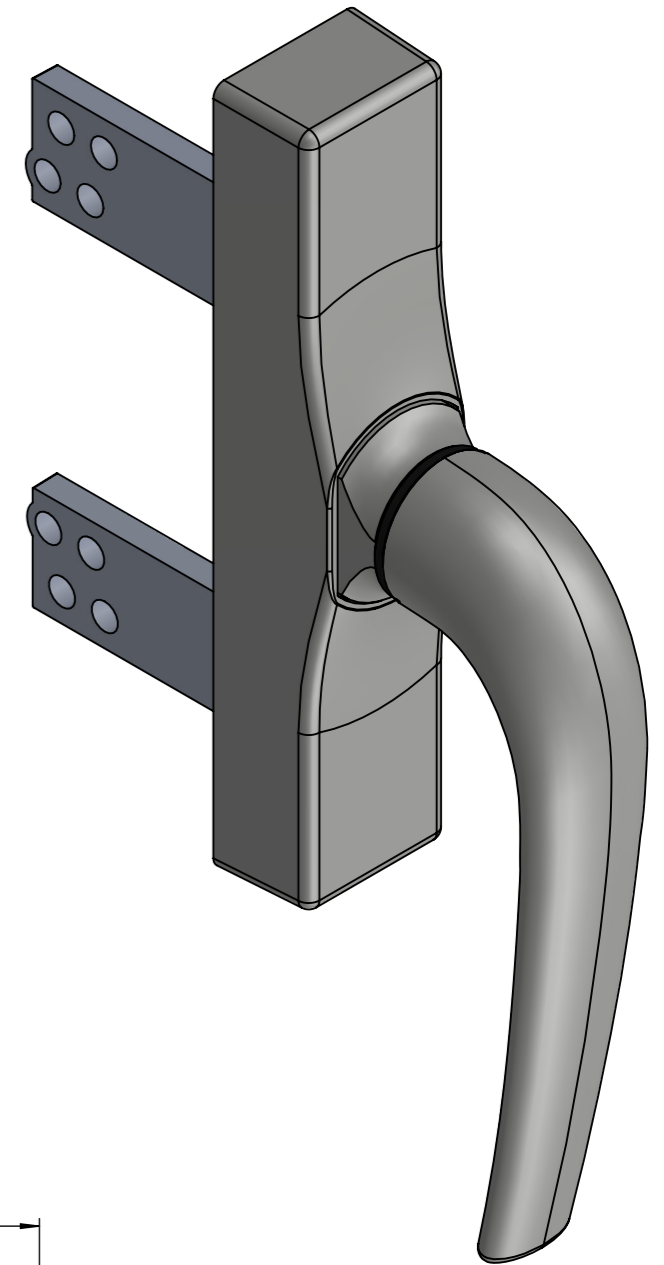
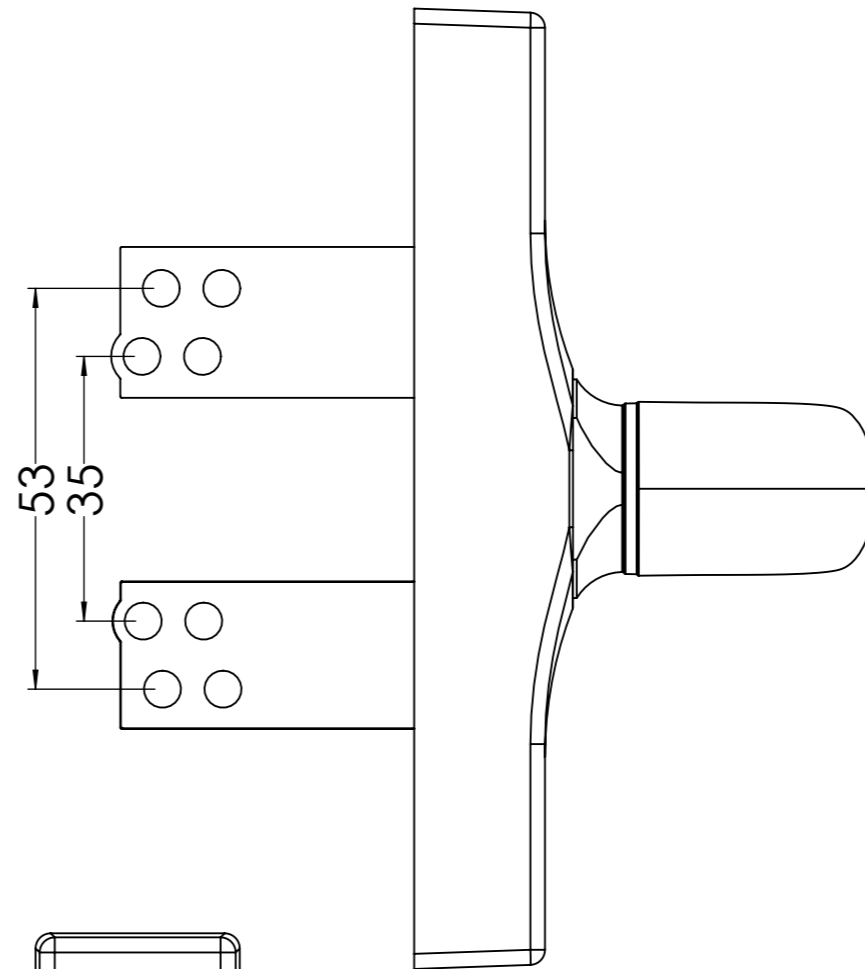
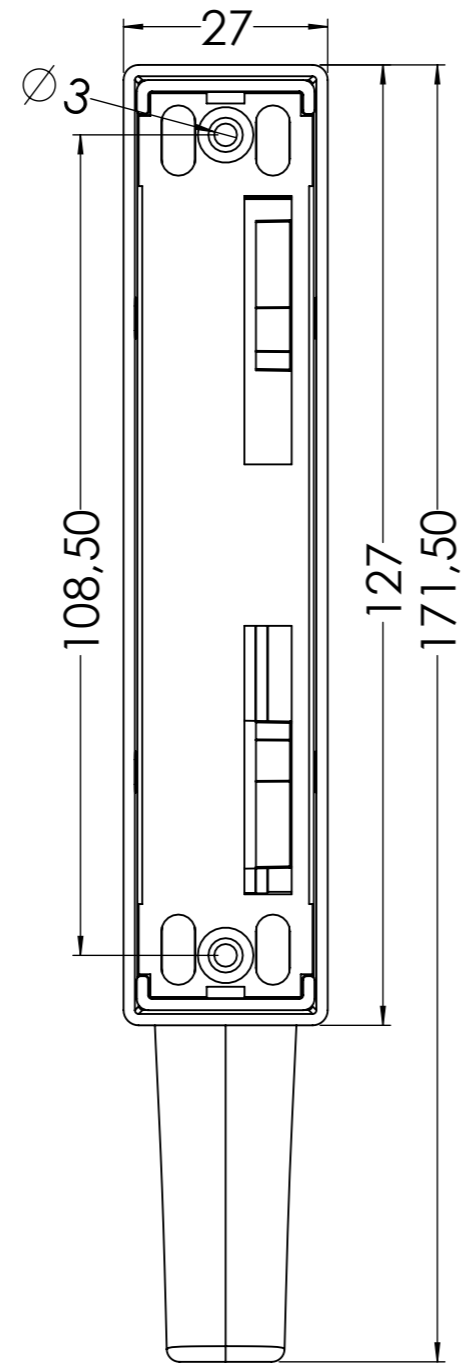
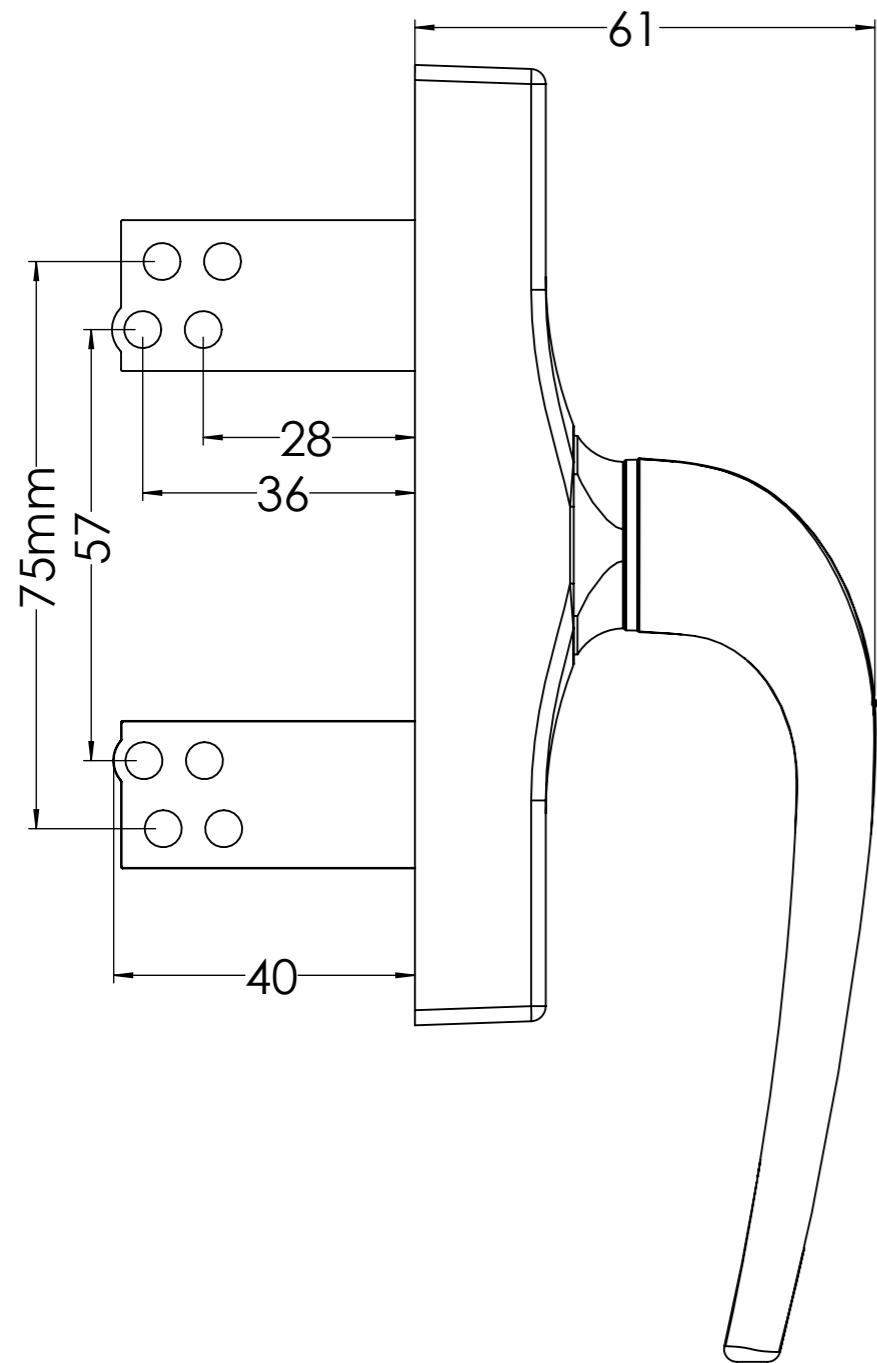
DWG NO.		XS-400	
MATERIAL:	DATE: 15/11/2023	WEIGHT:	DO NOT SCALE DRAWING
UNLESS OTHERWISE SPECIFIED: DIMENSIONS ARE IN MILLIMETERS		SHEET 1 OF 1	
TOLERANCES:	LINEAR:	SCALE: 1:1	A3
	ANGULAR:		



PANIDIS P
ΠΑΝΙΔΙΣ Σ.Α. ΑΛΥΜΙΝΙΟΥ ΣΥΣΤΗΜΑΤΩΝ ΚΑΙ ΠΡΟΣΘΕΤΩΝ

PANIDIS S.A.
PRODUCTION OF ALUMINUM RAILING SYSTEMS & ACCESSORIES
TEL: +30 2310 780352-784 519, FAX: +30 2310 783764
www.panidis-sa.com e-mail: info@panidis-sa.com

DWG NO.		XS-500	
MATERIAL:	DATE: 15/11/2023	WEIGHT:	DO NOT SCALE DRAWING
UNLESS OTHERWISE SPECIFIED: DIMENSIONS ARE IN MILLIMETERS		SHEET 1 OF 1	
TOLERANCES:	LINEAR: ANGULAR:	SCALE: 1:1	



PANIDIS 
 MAKEDONIKI • ALUMINIUM SYSTEM COMPONENTS

PANIDIS S.A.
 PRODUCTION OF ALUMINIUM RAILING SYSTEMS & ACCESSORIES
 TEL: +30 2310 780352-784 519, FAX: +30 2310 783764
 www.panidis-sa.com e-mail: info@panidis-sa.com

DWG NO.

XS-550

MATERIAL:

WEIGHT:

REVISION:

DATE: 19/1/2022

DO NOT SCALE DRAWING

UNLESS OTHERWISE SPECIFIED:
 DIMENSIONS ARE IN MILLIMETERS

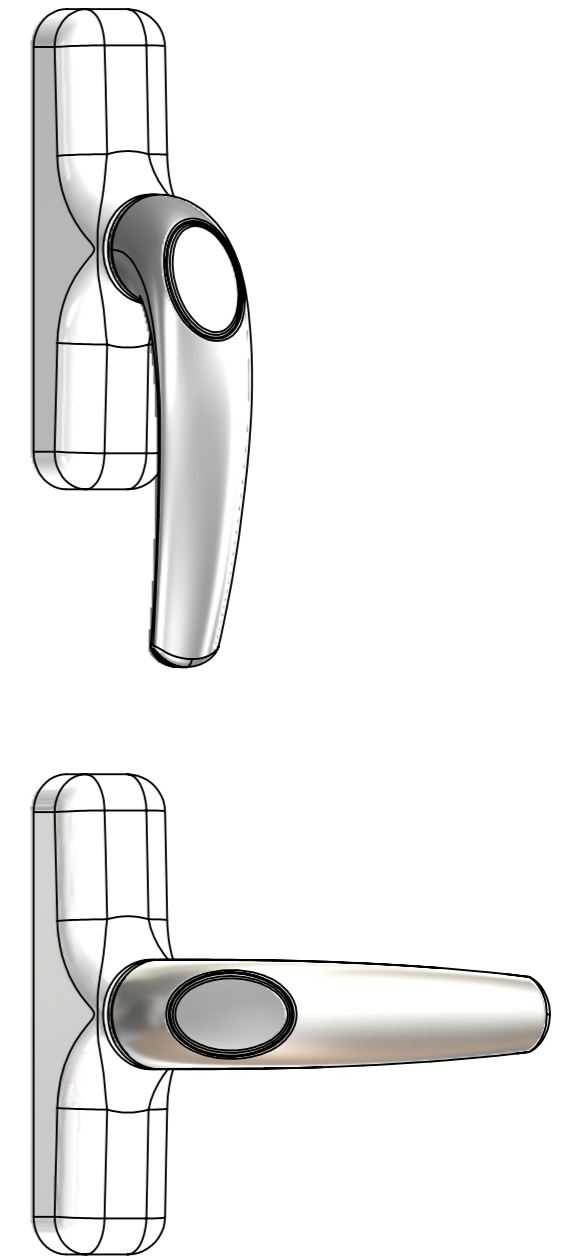
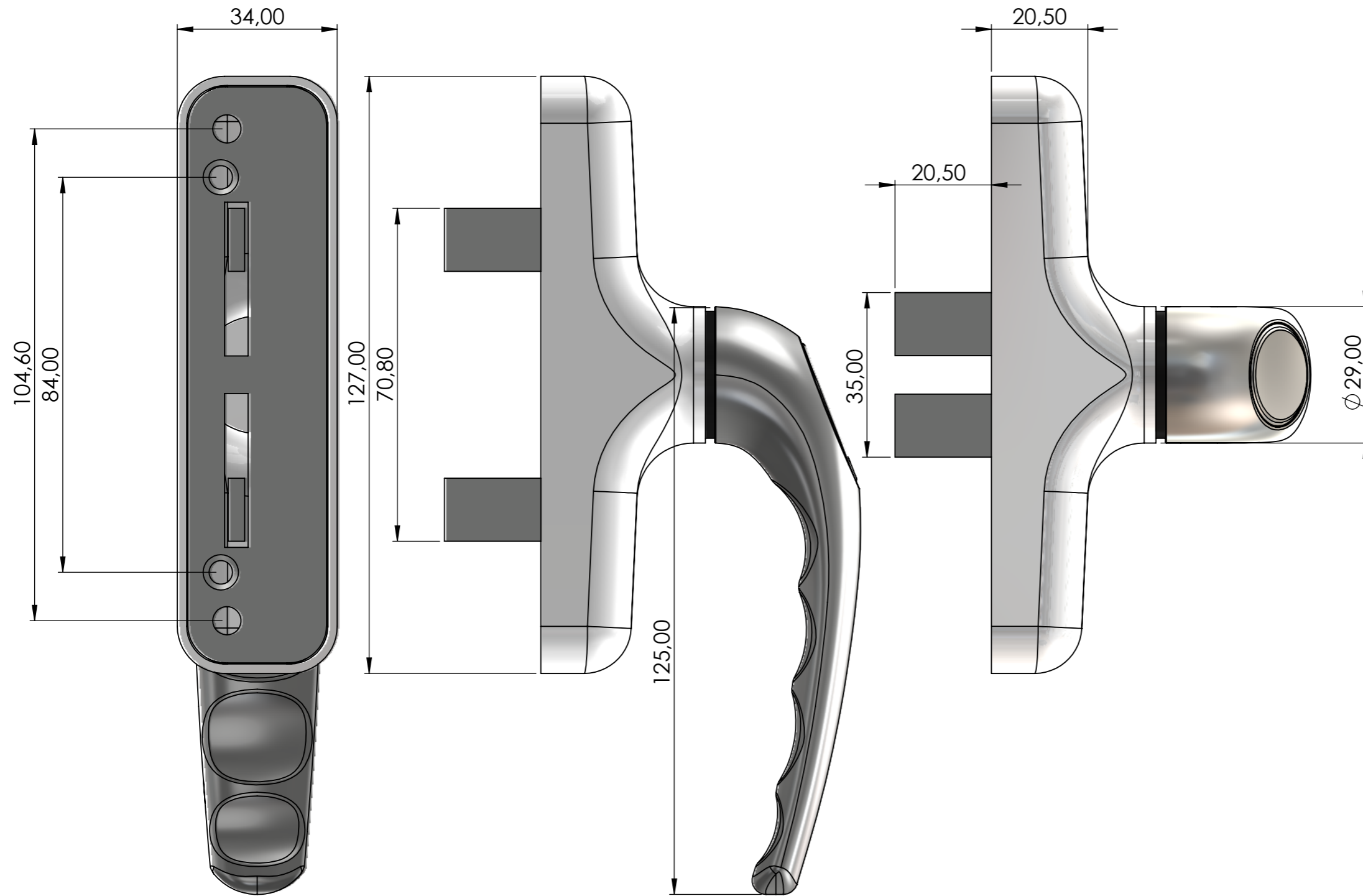
SHEET 1 OF 1

TOLERANCES:

LINEAR:
 ANGULAR:

SCALE: 1:1

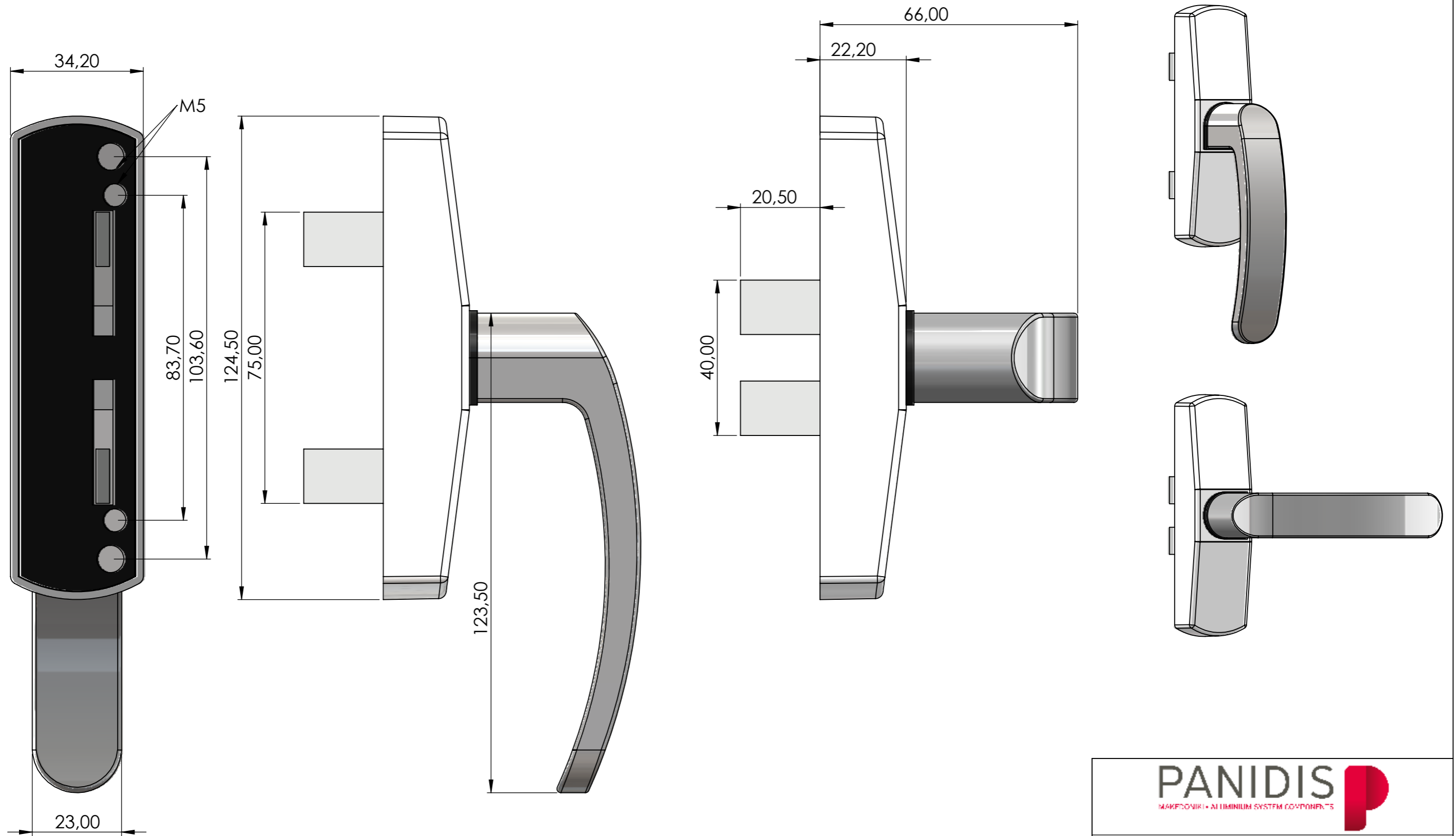
A3



PANIDIS 
 ΠΑΝΙΔΙΣ Σ.Α. ΑΛΥΜΙΝΙΟΥ ΣΥΣΤΗΜΑΤΩΝ ΚΑΙ ΠΡΟΣΒΑΝΤΩΝ

PANIDIS S.A.
 PRODUCTION OF ALUMINUM RAILING SYSTEMS & ACCESSORIES
 TEL: +30 2310 780352-784 519, FAX: +30 2310 783764
 www.panidis-sa.com e-mail: info@panidis-sa.com

DWG NO.		XS-600	
MATERIAL:	DATE: 15/11/2023	WEIGHT:	DO NOT SCALE DRAWING
UNLESS OTHERWISE SPECIFIED: DIMENSIONS ARE IN MILLIMETERS		SHEET 1 OF 1	
TOLERANCES:	LINEAR: ANGULAR:	SCALE: 1:1	A3



PANIDIS 
 ΠΑΝΙΔΙΣ Σ.Α. ΑΛΥΜΙΝΙΟΥ ΣΥΣΤΗΜΑΤΩΝ ΚΑΙ ΠΡΟΣΒΑΣΙΜΟΤΗΤΑΣ

PANIDIS S.A.
 PRODUCTION OF ALUMINUM RAILING SYSTEMS & ACCESSORIES
 TEL: +30 2310 780352-784 519, FAX: +30 2310 783764
 www.panidis-sa.com e-mail: info@panidis-sa.com

DWG NO.

XS-700

MATERIAL:	DATE: 15/11/2023	WEIGHT:	DO NOT SCALE DRAWING
UNLESS OTHERWISE SPECIFIED: DIMENSIONS ARE IN MILLIMETERS		SHEET 1 OF 1	
TOLERANCES:	LINEAR:	SCALE: 1:1	A3
	ANGULAR:		