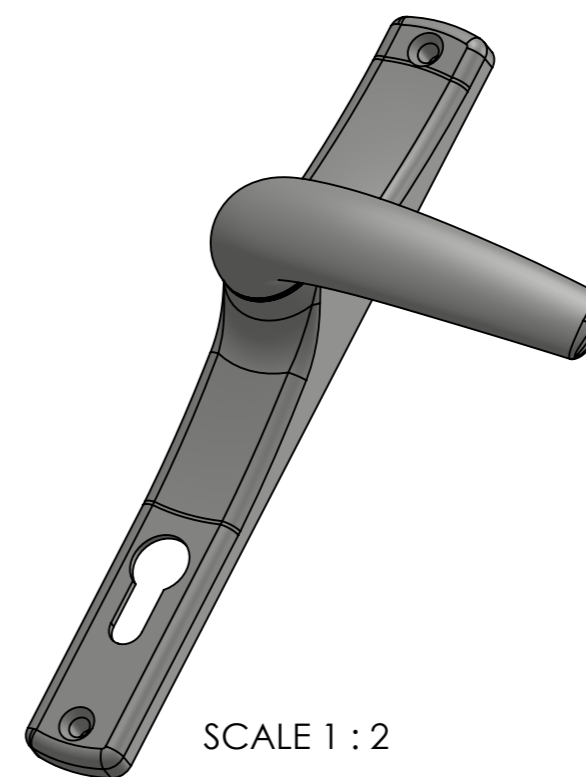
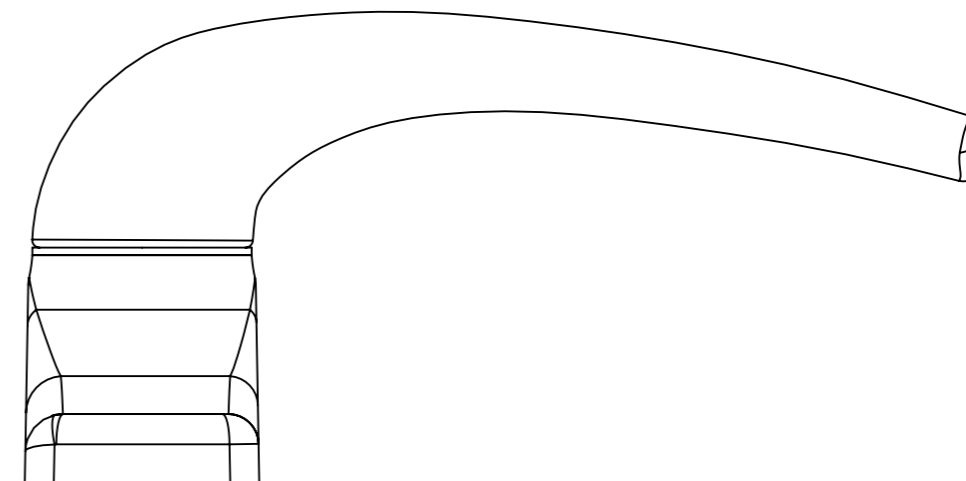
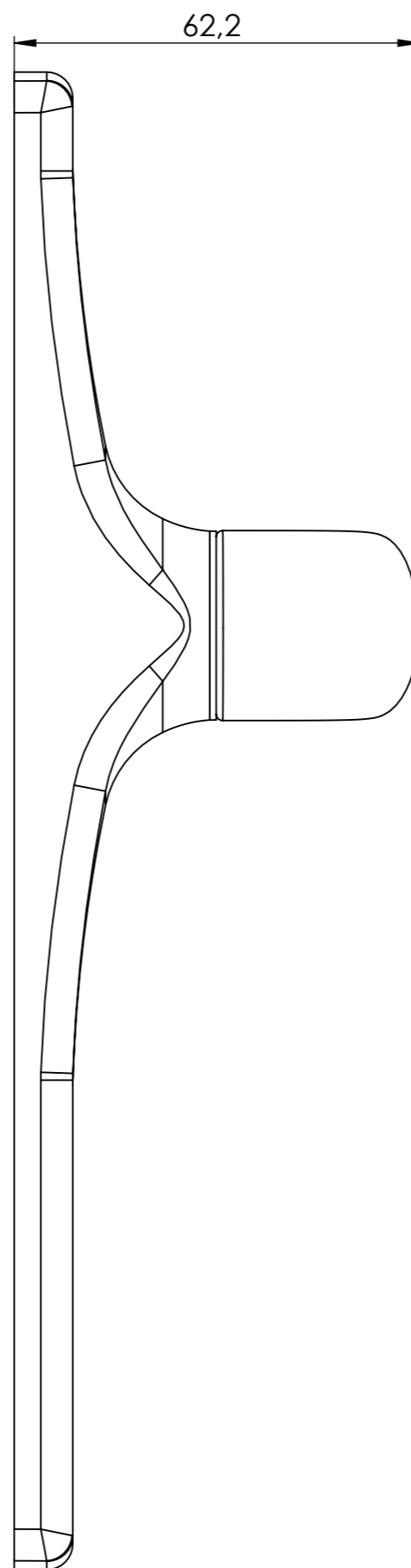
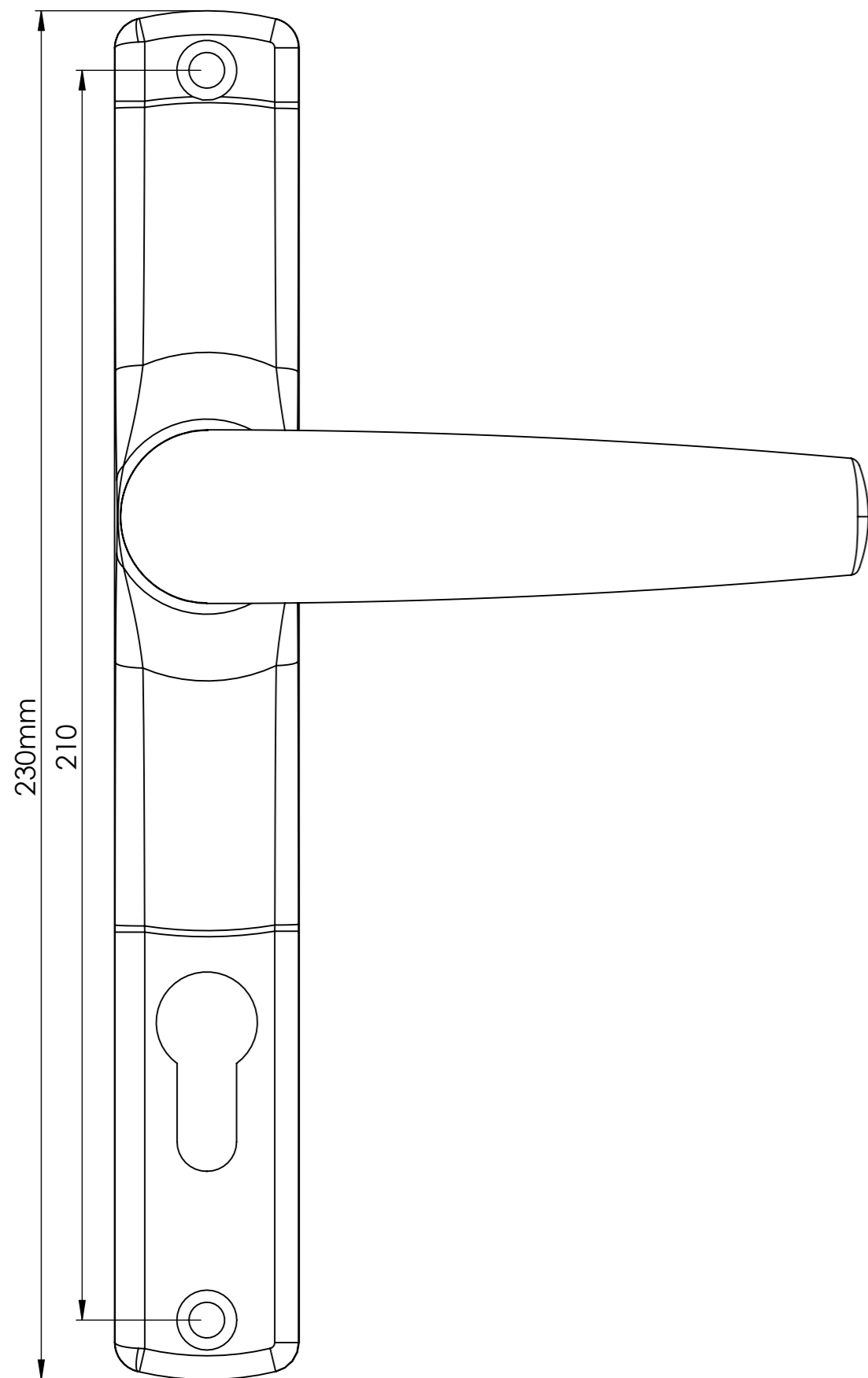


UNLESS OTHERWISE SPECIFIED: DIMENSIONS ARE IN MILLIMETERS SURFACE FINISH: TOLERANCES: LINEAR: ANGULAR:		<b>ΜΑΚΕΔΟΝΙΚΗ ΠΑΝΙΔΗΣ Α.Β.Ε.Ε.</b> ΠΑΡΑΓΩΓΗ & ΕΜΠΟΡΙΑ ΕΙΔΩΝ ΚΙΓΚΑΛΕΡΙΑΣ ΚΑΙ ΚΙΓΚΛΙΔΩΜΑΤΩΝ ΑΛΟΥΜΙΝΙΟΥ 11ο χλμ. ΠΑΛ. ΟΔΟΥ ΘΕΣ/ΝΙΚΗΣ-ΚΙΛΚΙΣ Τ.Θ. 141 - Τ.Κ. 570 08 ΙΩΝΙΑ ΤΗΛ.(2310) 780352, 784519, 784532 - FAX: 783764		DEBUR AND BREAK SHARP EDGES	DO NOT SCALE DRAWING	REVISION
DRAWN	Λάσκαρης Γιάννης	SIGNATURE	DATE		<b>ΜΑΚΕΔΟΝΙΚΗ ΠΑΝΙΔΗΣ Α.Β.Ε.Ε.</b>	
CHK'D	Λάσκαρης Γιάννης				<b>PANIDIS</b>	
APPV'D	Πανίδης Δημήτρης				MAKEDONIKI • ALUMINIUM SYSTEM COMPONENTS	
MFG						
Q.A				MATERIAL:	DWG NO.	A3
					TITLE:	<b>X-505</b>
				WEIGHT:	SCALE:1:1	SHEET 1 OF 1



SCALE 1 : 2

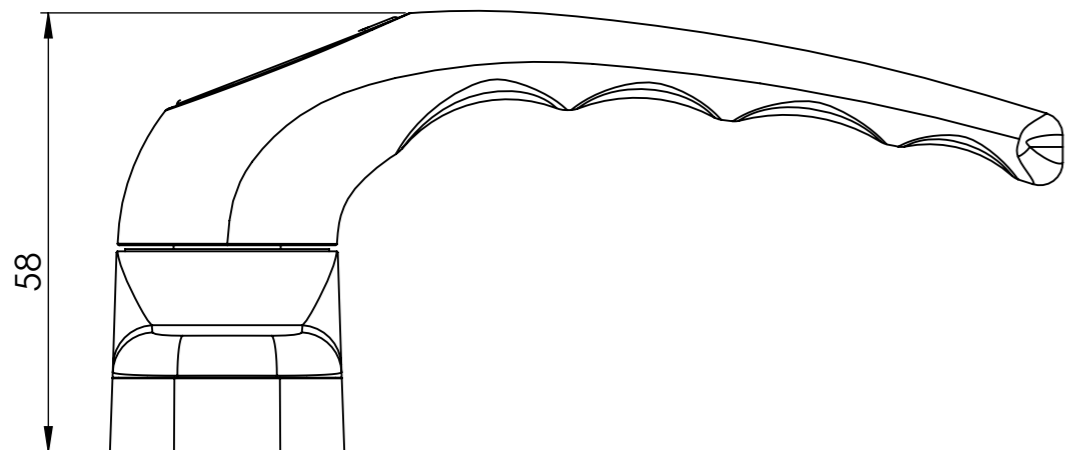
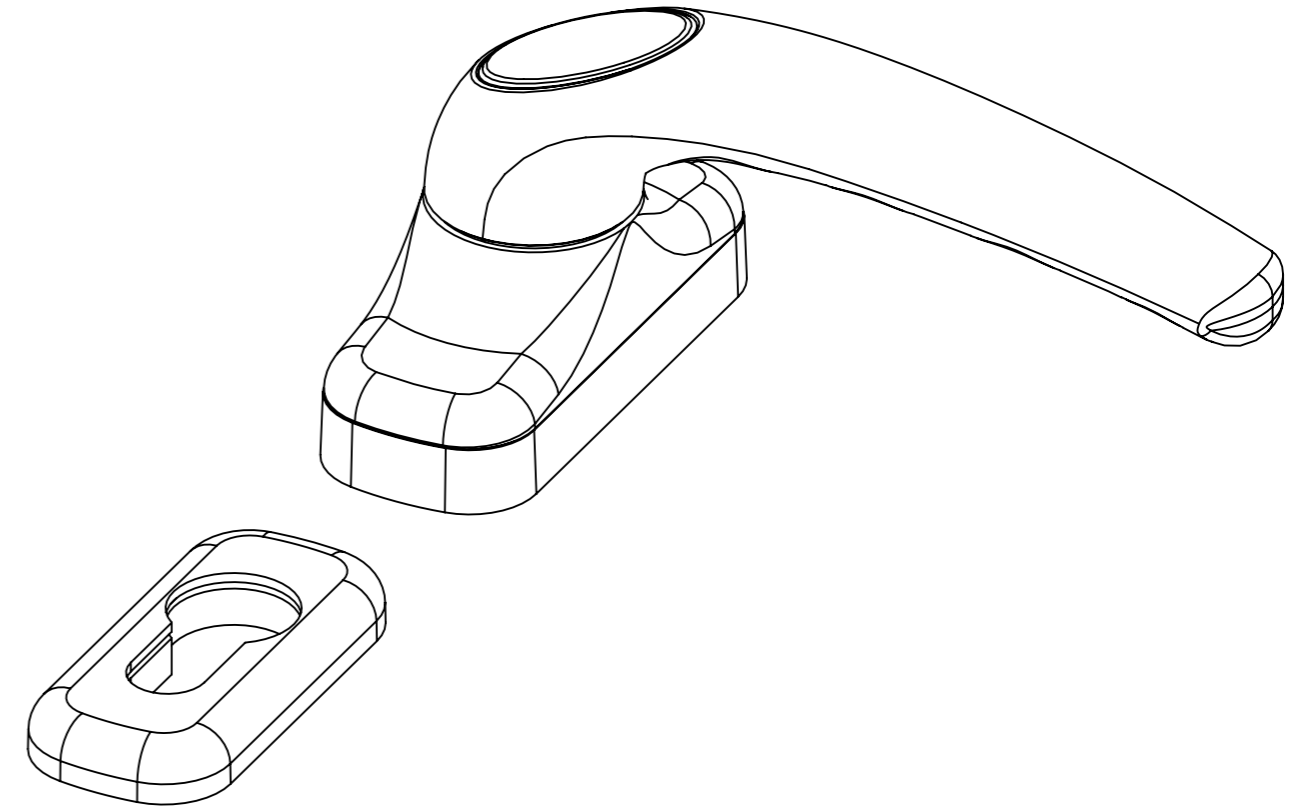
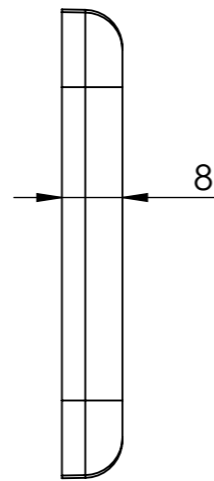
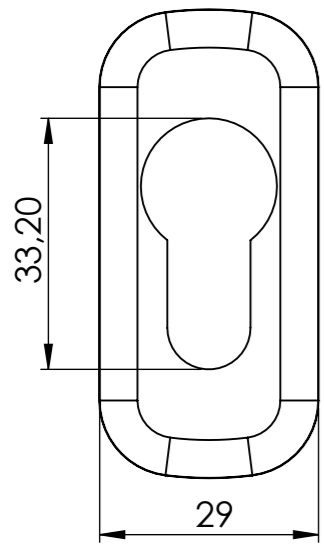
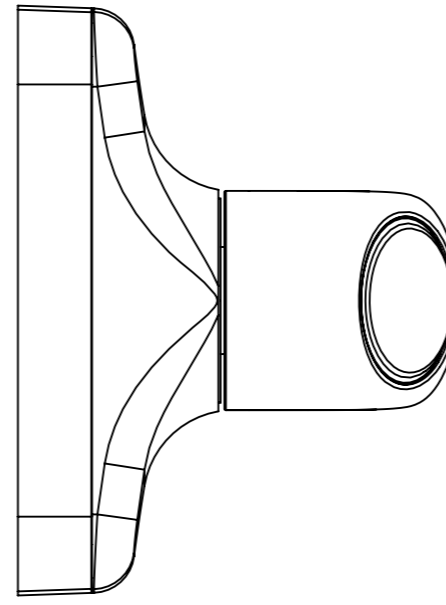
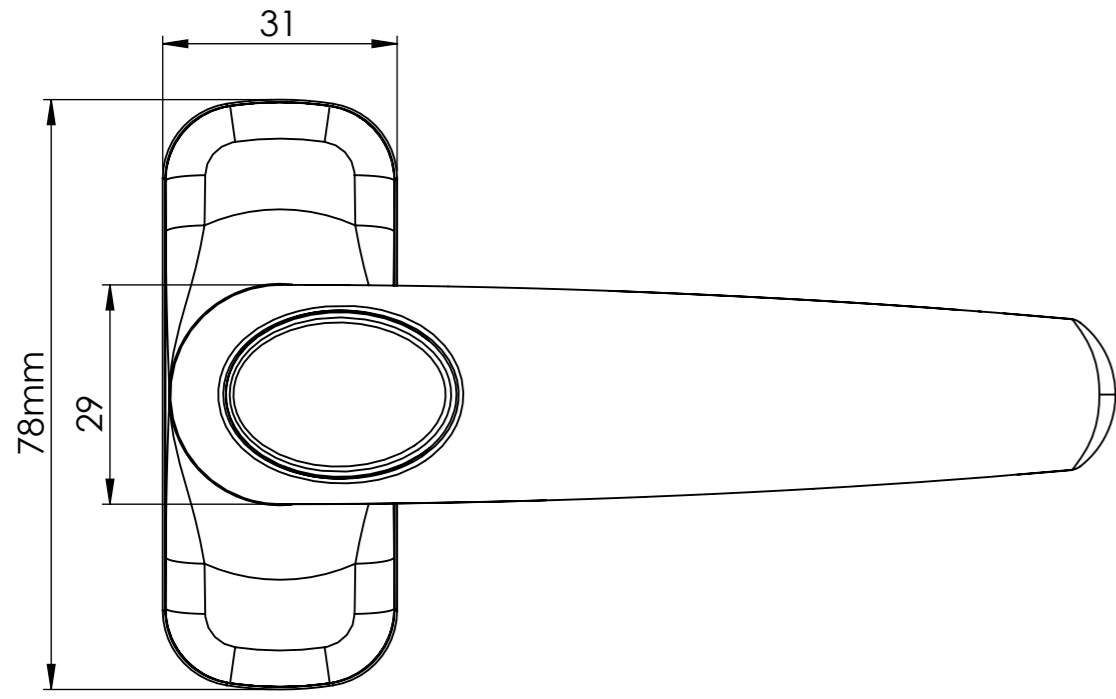
**PANIDIS**   
 MAKEDONIKI • ALUMINIUM SYSTEM COMPONENTS

PANIDIS S.A  
 PRODUCTION OF ALUMINIUM RAILING SYSTEMS & ACCESSORIES  
 TEL: +30 2310 780352-784 519, FAX: +30 2310 783764  
 www.panidis-sa.com e-mail: info@panidis-sa.com

DWG NO. **X-508**

MATERIAL:	WEIGHT:
REVISION:	DATE: 13/7/2022
UNLESS OTHERWISE SPECIFIED: DIMENSIONS ARE IN MILLIMETERS	DO NOT SCALE DRAWING
TOLERANCES:	LINEAR: ANGULAR:
	SHEET 1 OF 1
	SCALE: 1:1

A3



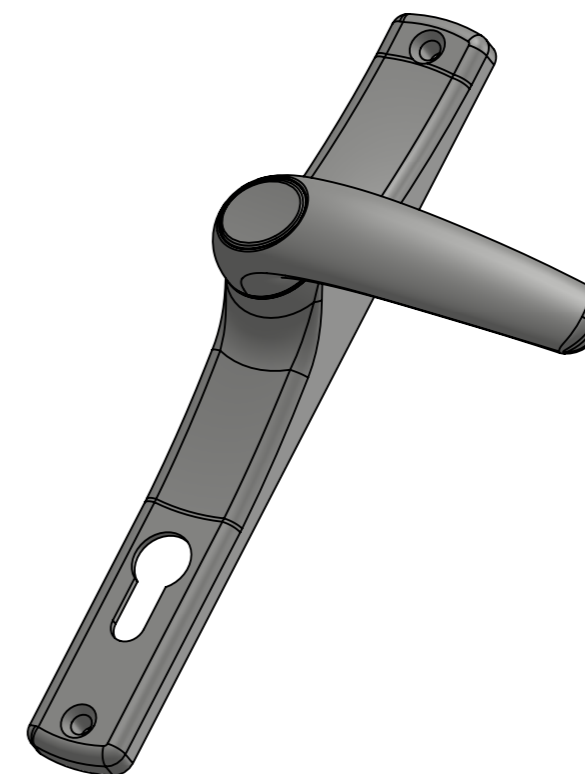
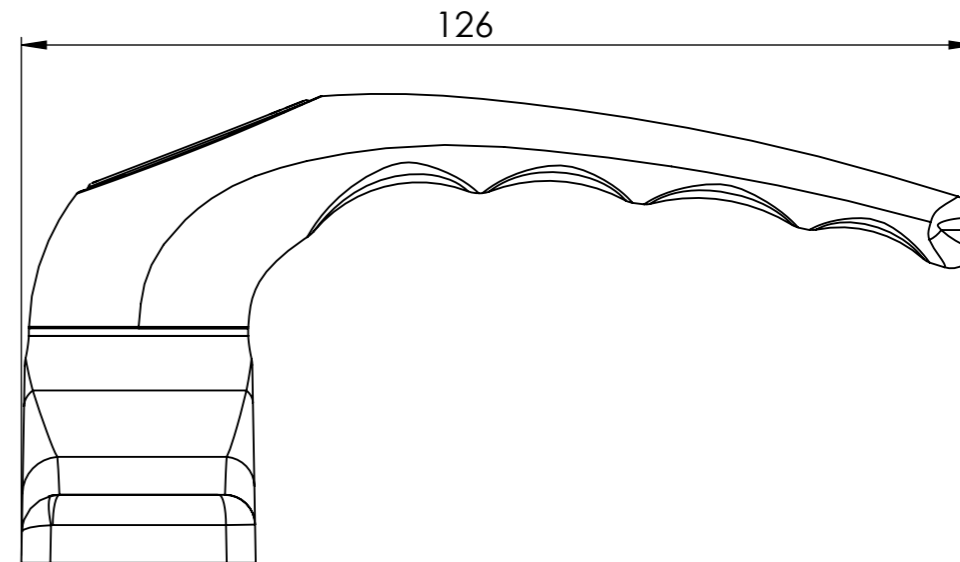
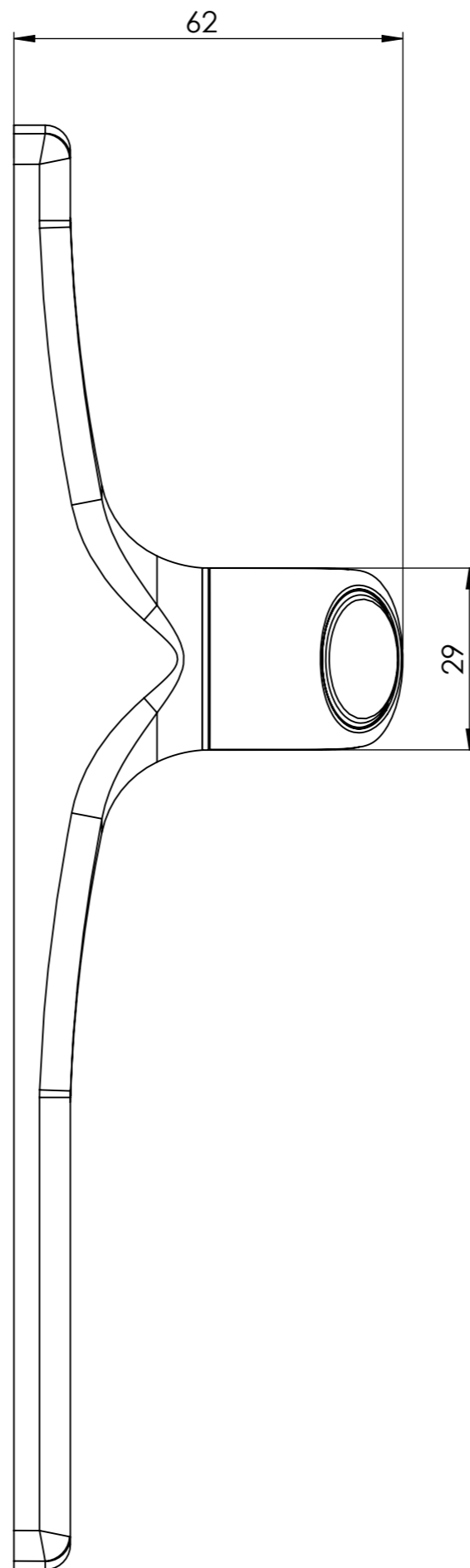
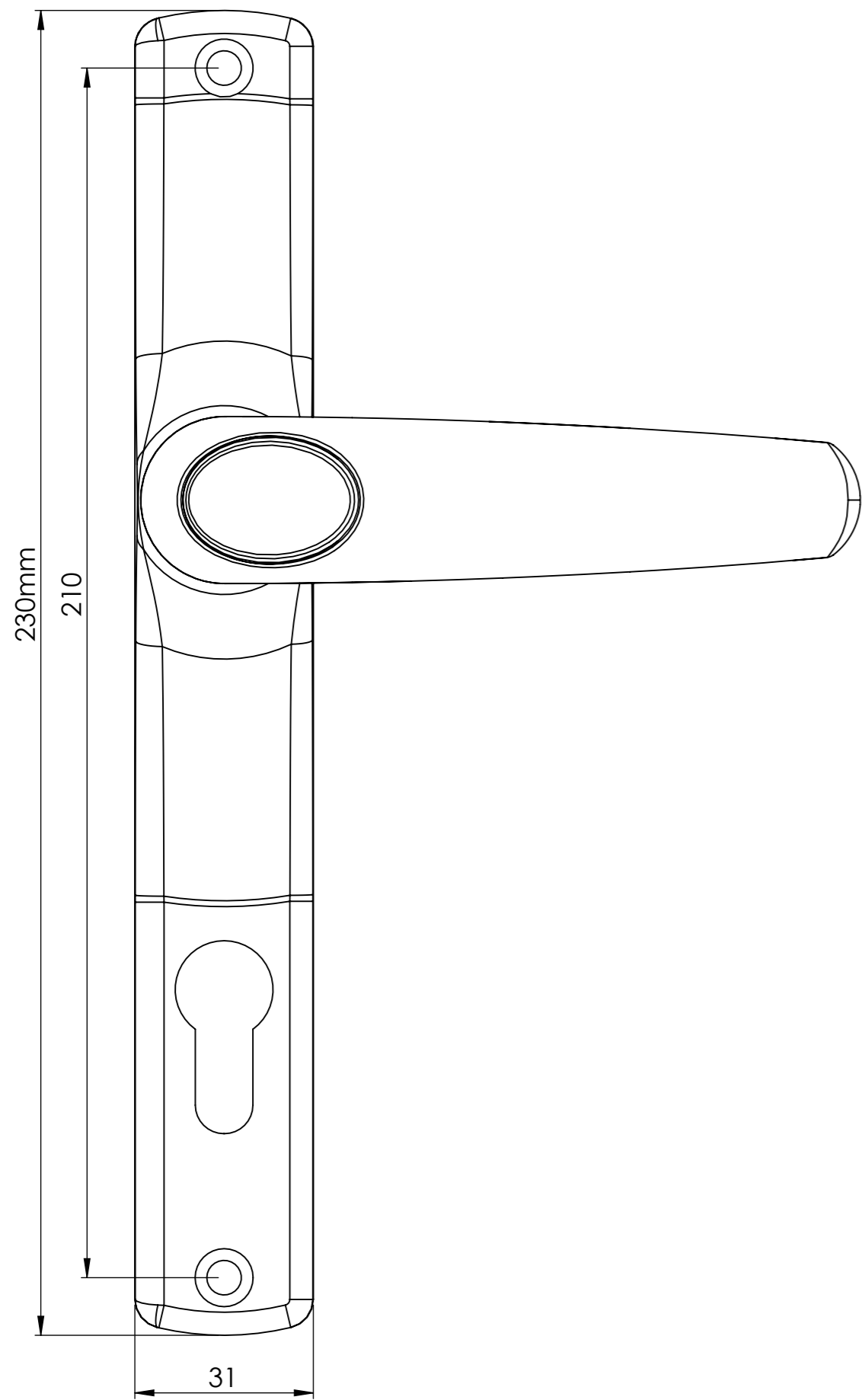
**PANIDIS**   
 MAKEDONIKI • ALUMINIUM SYSTEM COMPONENTS

PANIDIS S.A  
 PRODUCTION OF ALUMINIUM RAILING SYSTEMS & ACCESSORIES  
 TEL: +30 2310 780352-784 519, FAX: +30 2310 783764  
 www.panidis-sa.com e-mail: info@panidis-sa.com

DWG NO. **X-602**

MATERIAL:	WEIGHT:
REVISION:	DATE: 13/7/2022
UNLESS OTHERWISE SPECIFIED: DIMENSIONS ARE IN MILLIMETERS	DO NOT SCALE DRAWING
TOLERANCES:	LINEAR: ANGULAR:
	SHEET 1 OF 1 SCALE: 1:1

**A3**



SCALE 1 : 2

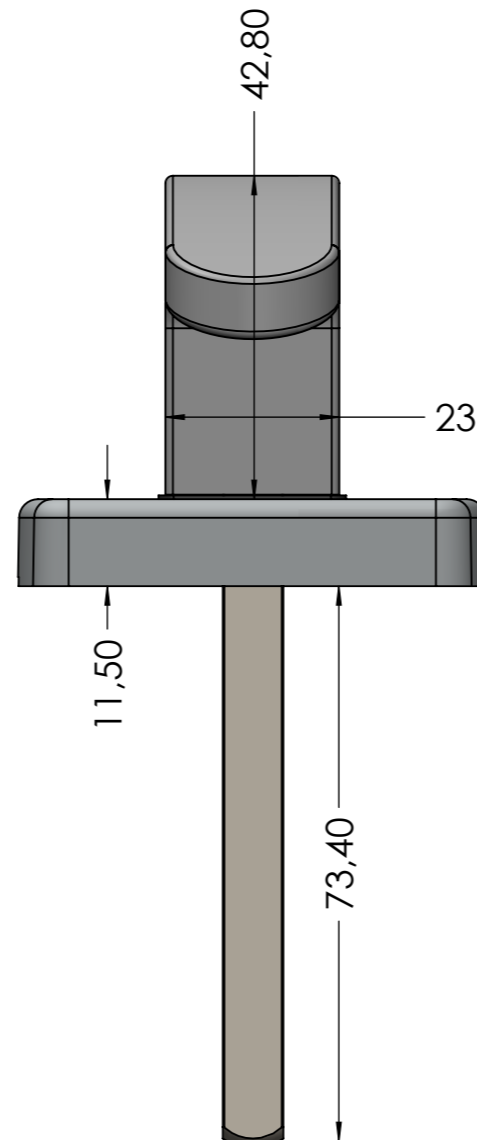
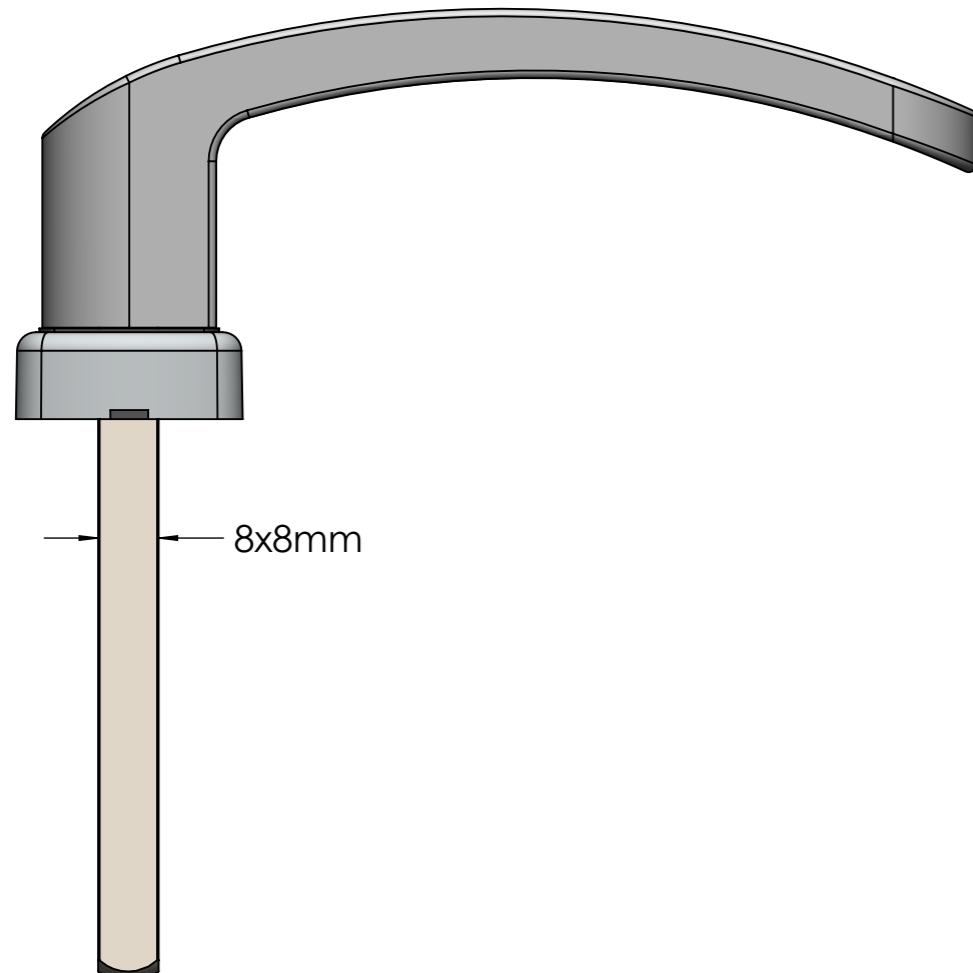
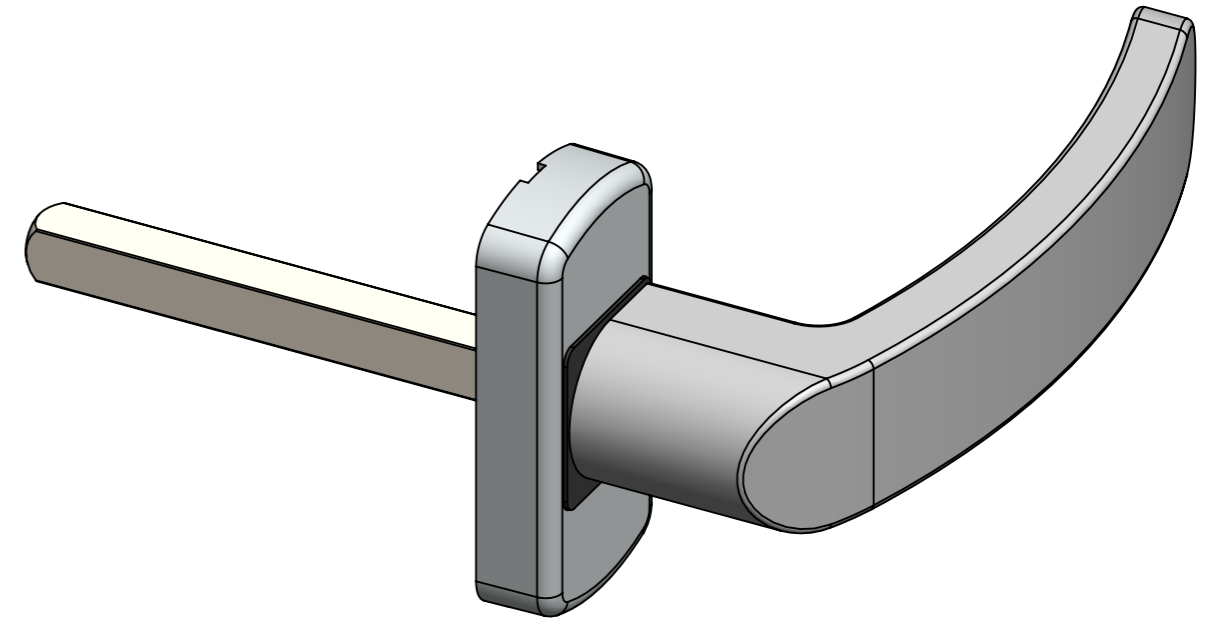
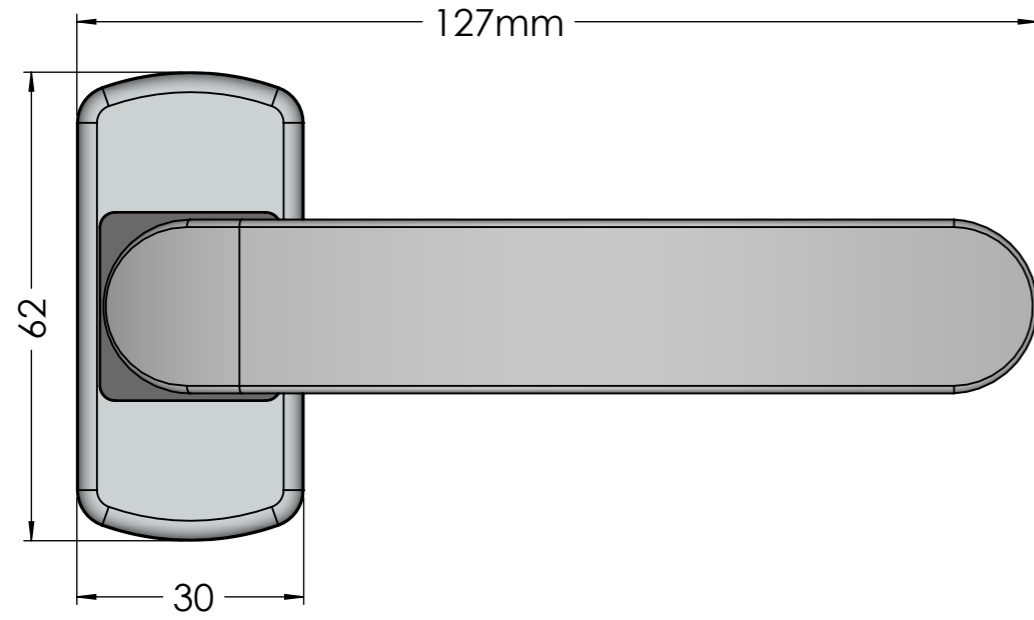
**PANIDIS**   
 MAKEDONIKI • ALUMINIUM SYSTEM COMPONENTS

PANIDIS S.A  
 PRODUCTION OF ALUMINIUM RAILING SYSTEMS & ACCESSORIES  
 TEL: +30 2310 780352-784 519, FAX: +30 2310 783764  
 www.panidis-sa.com e-mail: info@panidis-sa.com

DWG NO. **X-608**

MATERIAL:	WEIGHT:
REVISION:	DATE: 13/7/2022
UNLESS OTHERWISE SPECIFIED: DIMENSIONS ARE IN MILLIMETERS	DO NOT SCALE DRAWING
TOLERANCES: LINEAR: ANGULAR:	SHEET 1 OF 1 SCALE: 1:1

A3



**PANIDIS**   
 MAKEDONIKI • ALUMINIUM SYSTEM COMPONENTS

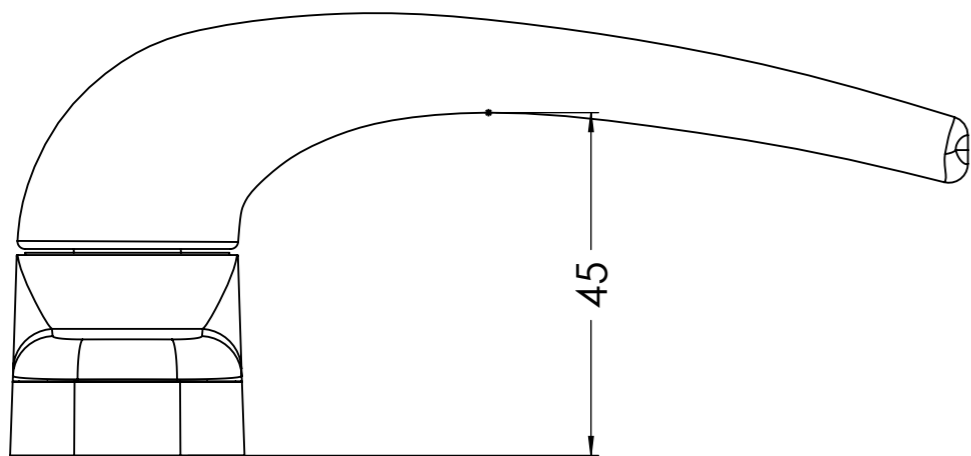
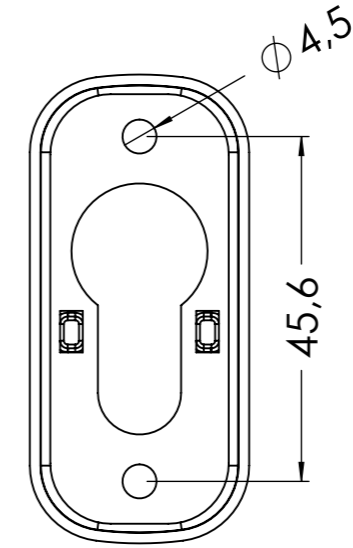
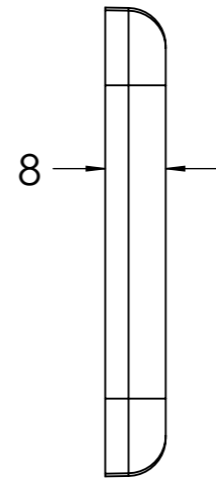
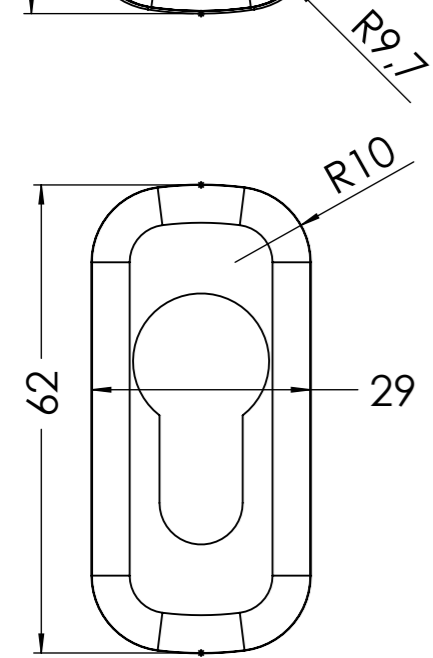
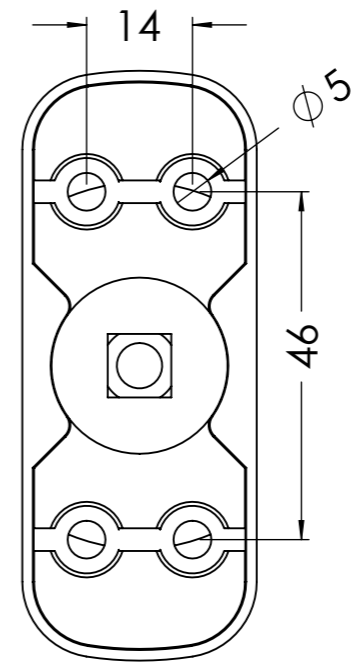
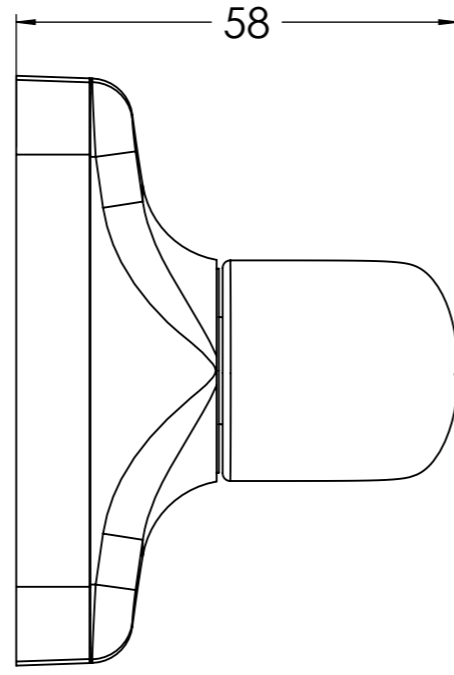
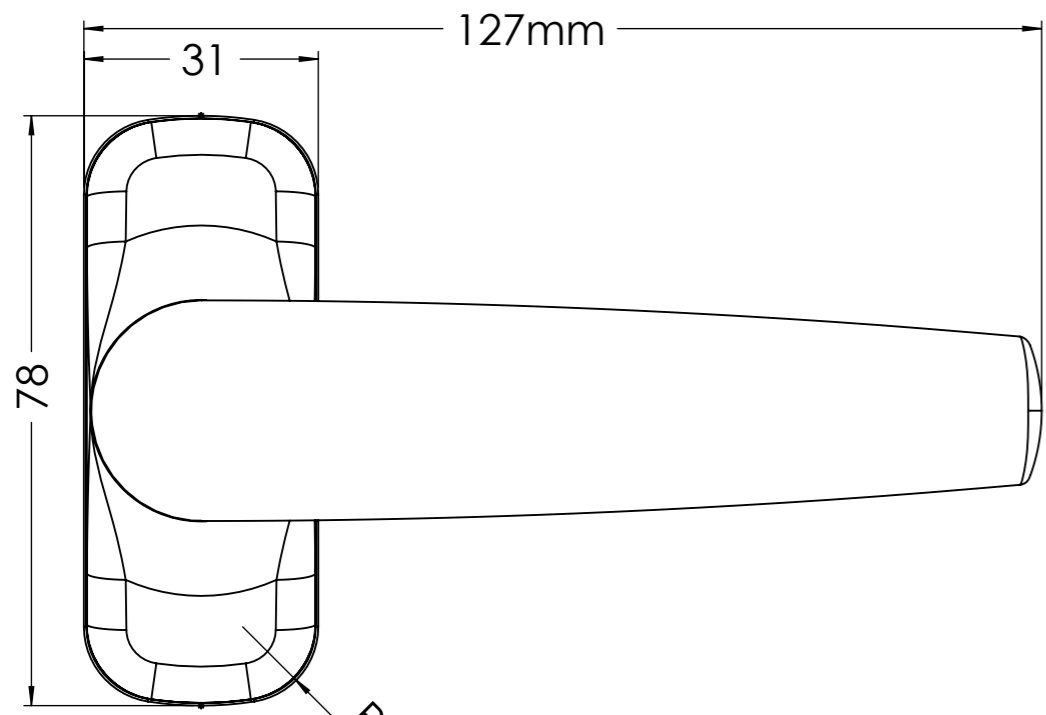
**PANIDIS S.A**  
 PRODUCTION OF ALUMINIUM RAILING SYSTEMS & ACCESSORIES  
 TEL: +30 2310 780352-784 519, FAX: +30 2310 783764  
 www.panidis-sa.com e-mail: info@panidis-sa.com

DWG NO.

**X-702**

<b>MATERIAL:</b>	WEIGHT:
REVISION:	DATE:
UNLESS OTHERWISE SPECIFIED: DIMENSIONS ARE IN MILLIMETERS	DO NOT SCALE DRAWING
TOLERANCES:	LINEAR: ANGULAR:
	SHEET 1 OF 2 SCALE: 1:1

**A3**



**PANIDIS**   
 MAKEDONIKI • ALUMINIUM SYSTEM COMPONENTS

PANIDIS S.A  
 PRODUCTION OF ALUMINIUM RAILING SYSTEMS & ACCESSORIES  
 TEL: +30 2310 780352-784 519, FAX: +30 2310 783764  
 www.panidis-sa.com e-mail: info@panidis-sa.com

DWG NO. **X-502**

MATERIAL:	WEIGHT:
REVISION:	DATE: 13/3/2023
UNLESS OTHERWISE SPECIFIED: DIMENSIONS ARE IN MILLIMETERS	DO NOT SCALE DRAWING
TOLERANCES: LINEAR: ANGULAR:	SHEET 2 OF 2 SCALE: 1:1

A3