

PRODUCT
CATALOGUE
2022

PANIDIS 
MAKEDONIKI • ALUMINIUM SYSTEM COMPONENTS





INDEX

	PAGE
COMPANY PROFILE	03
GLASS DOORS SYSTEMS & ACCESSORIES	05
SHOWERING SYSTEMS & ACCESSORIES	21
RAILINGS & BALLUSTRADES	29
PIVOT MECHANISMS	41
CONCEALED HINGES	47
PIVOTING HANDLES	52
PULL HANDLES	63
ALUMINIUM ACCESSORIES	71







COMPANY PROFILE

Panidis SA was founded in 1974 by Mr. Grigoris Panidis with the distinctive name "Macedonian brass". The company's initial engagement was the processing and engraving of brass products, but soon it focused on the design and production of aluminium parts. Over the years and with the entry of the second generation in the company's administration, from a family company with limited human resources, it has become one of the leading companies in the Greek market, with hundreds of customers and exports to 25 countries in 3 continents. Until today, continuous investment in know-how and engineering equipment coupled with high-skilled personnel, suitably trained and with years of experience in manufacturing, have established Panidis SA as one of the most modern and dynamically developing Greek producers in the aluminium parts industry.

The high quality of all the products and services it provides, the highly competitive prices and the continuous research for the design and production of new innovative products, ensure a greate future development for Panidis SA, in the domestic but also international market for aluminium parts.

The vertical production installations, equipped with state-of-the-art CNC machining centers and lathes and with modern anodizing and powder coating units, produces 100% Greek products, with a wide range of accessories for aluminium systems, glazing accessories and aluminium railings. All products are constantly on stock and can be promptly delivered throughout Greece and abroad.





PANIDIS

MAKEDONIKI • ALUMINIUM SYSTEM COMPONENTS



- 1974** Establishment of the company by Grigorios Panidis. The company's initial engagement was the processing and engraving of brass products PANIDIS SA is founded by Mr. G. Panidis
- 1985** Market Introduction of Aluminum Railings System (MAK SYSTEM by PANIDIS SA)
- 1993** Focus on the design and production of molded aluminium components for door and window frames
 - Establishment of Athens Premises (Warehouse & Show Room)
- 1995** Upgrade production capacity of Architectural Aluminum components
- 2000** Creation of new facilities of 3500m²
 - Expansion of Headquarters premises with additional 3.500 m²
- 2002** Establishment of powder coating line for aluminium components
 - Installation of Powder Coating Plant
- 2006** Investment in CNC machining centers for the production of innovative and qualitative products
 - Investment in CNC Machining Centers
- 2007** Provision of bespoke solutions in extrusion for leading aluminium manufacturers by designing and producing specialized components
 - Enlarge Market penetration by developing Custom Made Solutions
- 2009** Establishment of a state-of-the-art anodizing line
 - Installation of new state-of-the-art Anodization Plant
- 2014** New market entry. Design and production of aluminium components and aluminium systems for glass
 - Launching of new Glass Accessories Product Portfolio
- 2018** Investment in 10 new CNC machining centers for the improvement of productivity
 - Expand production capacity / additional investment in new CNC Machining Centers



RAILINGS & BALUSTRADES

CONTENTS

PAGES

●	BALUSTRADE SYSTEMS		30 - 40
○	MS-1500	BALUSTRADE SYSTEM	
○	MS-1000	BALUSTRADE SYSTEM	
●	SPIGOTS & STANDOFF		
○	MS-125	SPIGOT	
○	MS-125-B	SPIGOT	
○	MS-124	STANDOFF	
○	MS-123	STANDOFF	
○	MS-120	STANDOFF	
○	MS-120-S	STANDOFF COVER	
●	STAND		
○	MS-127	STAND	
○	1015-L	STAND	
○	GFH-50/51	WALL STAND	
●	ACCESSORIES FOR RAILINGS		
○	MS-1000-D35	ALIGNMENT ACCESSORY	
○	MS-1100	HANDRAIL FOR MS-1000	
○	300-GHR-2019	HANDRAIL FOR MS-1000	
○	300-GHR-2015	HANDRAIL FOR MS-1000	

AVAILABLE SHADES



Natural
anodizing



Inox look
anodizing



Black
anodizing



Powder coating with
color options from
the RAL palette

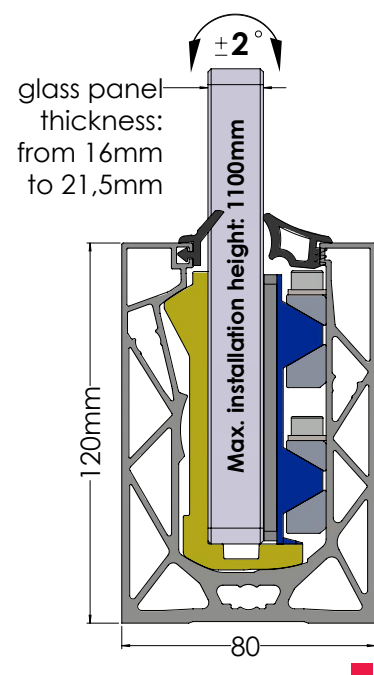


MS-1500

ANODIZED GLASS BALUSTRADE SYSTEM WITH ADJUSTABLE INCLINATION

The system consists of an elegant, **80x120mm** adjustable aluminium base, with clamps for the glass support and **EPDM** rubber finishing.

- Maximum installation height **1300mm**.
- Glass thickness range from **16mm** to **21.5mm**
- Ability to adjust the inclination of the panel **±2 °**.
- No scaffolding required since installation is done from the inside of the balcony.
- Ideal for installation on balconies.
- Integrated water drainage channel.
- Easy and fast installation with a perfect aesthetic result.
- Pre-drilled base with Inox Satine finish.
- Ready for **LED** light installation.



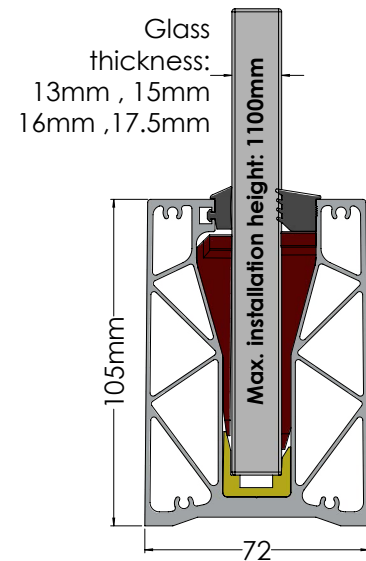


MS-1000

ANODIZED GLASS BALUSTRADE SYSTEM

The system consists of a stylish uniform **72x105mm** aluminium base, with special plastic wedges for the glass support and **EPDM** rubber finishes.

- Maximum installation height **1100mm**.
- Glass thickness range from **12mm** to **17.5mm**.
- Ideal for installation on balconies.
- Easy and fast installation with a perfect aesthetic result.
- Pre-drilled aluminium base with Inox Satine finish.
- Ready for **LED** light installation.
- BS6180 Certification from the British Institute of Testconsult.

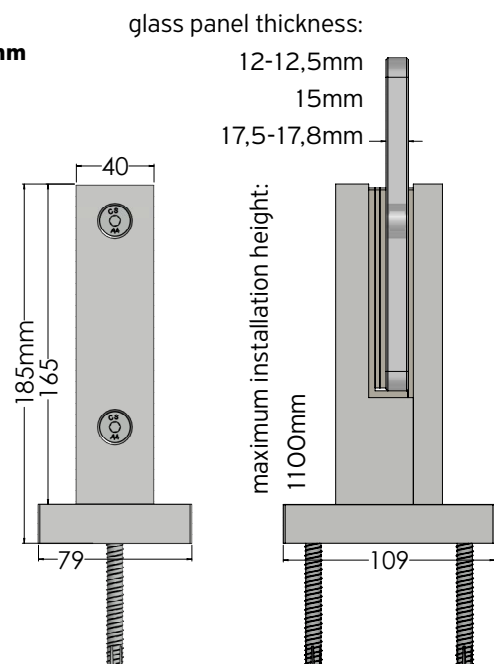




MS-125 GLASS RAILING SYSTEM WITH GROUND SPIGOTS

The system consists of **40x185mm** aluminium spigots, with a **80x110mm** flat base for high durability.

- Maximum installation height **1100mm**.
- Glass thickness range from **12mm** to **17.5mm**.
- Ideal for installations on balconies and swimming pools.
- BS6180 Certification from the British Institute of Testconsult.





MS-125-B

GLASS RAILING SUPPORT SYSTEM WITH GROUND SPIGOTS

The system consists of **40x170mm** aluminium spigots. A stainless steel pin gives solid support to the system.

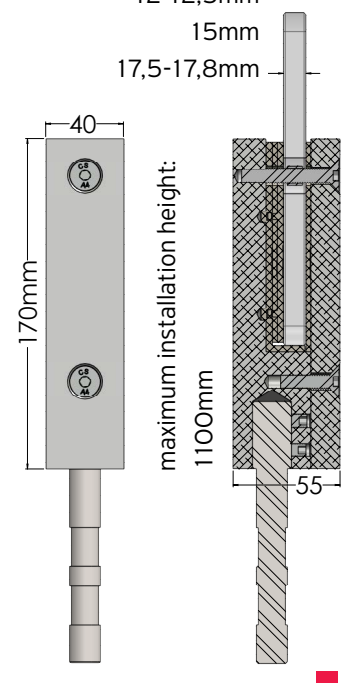
- Maximum installation height **1100mm**.
- Glass thickness range from **12mm** to **17.5mm**.
- Ideal for installation by swimming pools with limited space for support systems.

glass panel thickness:

12-12,5mm

15mm

17,5-17,8mm



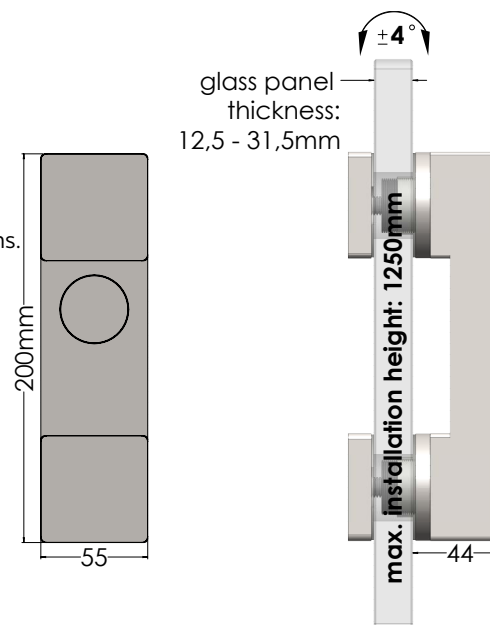


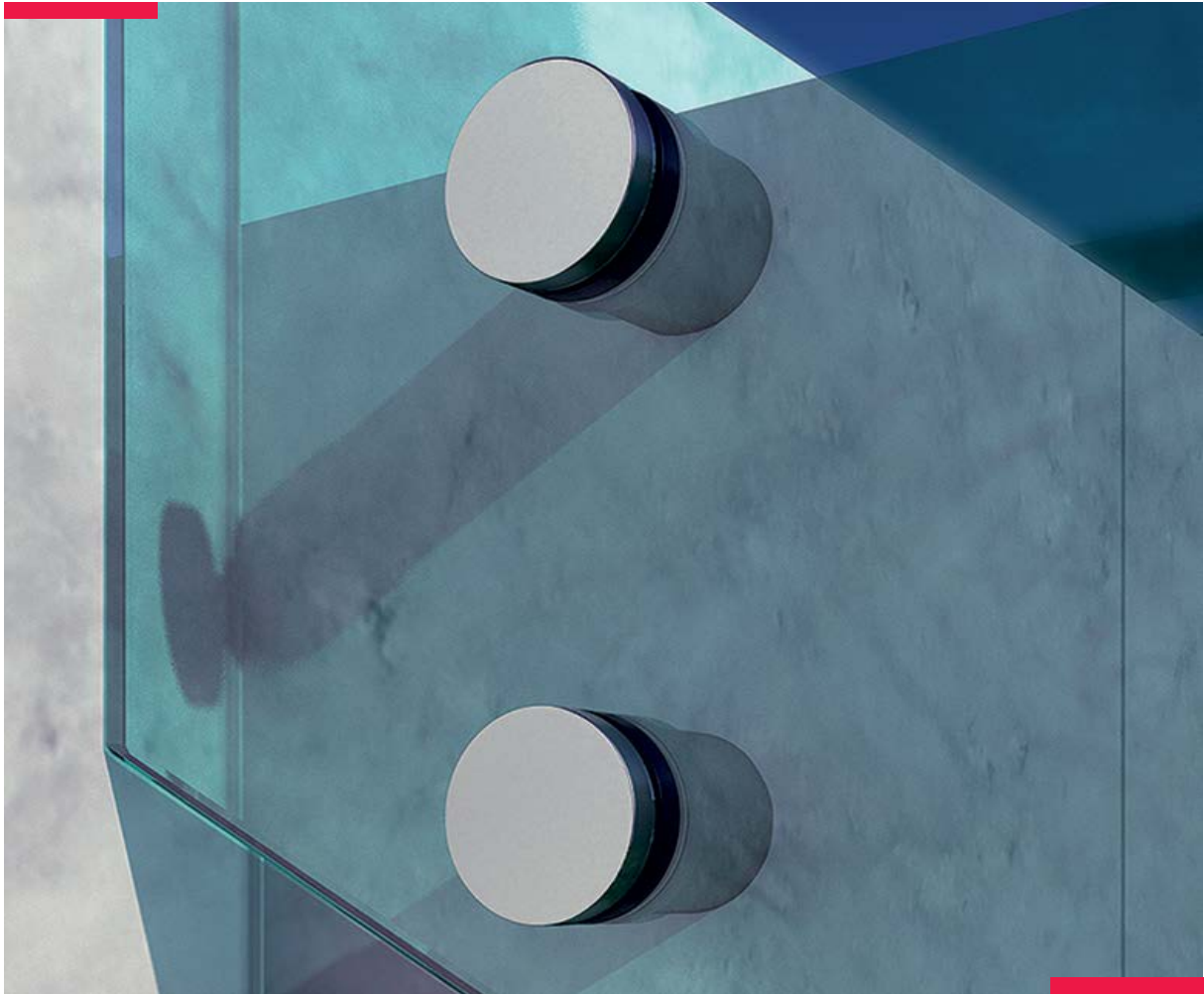
MS-124

GLASS RAILING SYSTEM WITH ADJUSTABLE DOUBLE HUNG STANDOFF (HEAVY DUTY)

The system consists of double adjustable aluminum standoffs, dimension **55x200mm** for frontal installation, with adjustable inclination of the glass panel.

- Maximum installation height from standoff, **1250mm**.
- Glass thickness range from **12.5mm** to **31.5mm**.
- Glass panel inclination **±4 °**.
- Adjustability of inclination eliminates possible construction imperfections.
- Ideal for installations on balconies and stairs.
- BS6180 Certification from the British Institute of Testconsult.

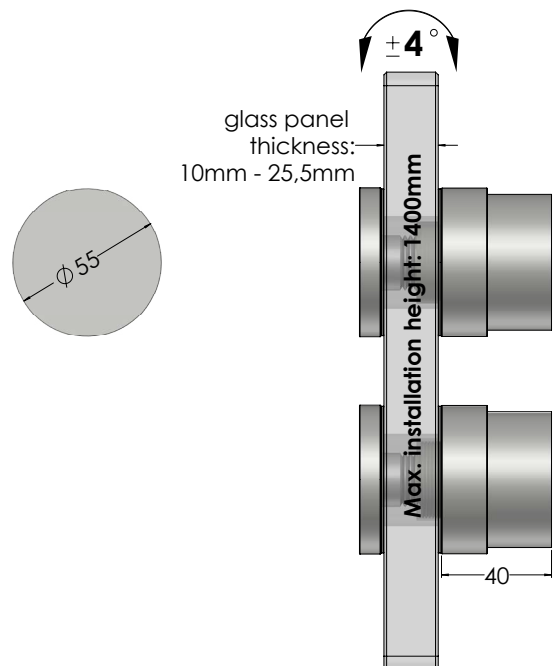




MS-123 ADJUSTABLE ANODIZED ALUMINIUM GLASS STANDOFF

The system consists of an adjustable aluminium glass standoff, diameter **Ø50** and length **40mm** for frontal installation, with adjustable inclination of the glass panel.

- Maximum installation height **1400mm**.
- Glass thickness range from **10mm** to **25.5mm**.
- Ability to adjust the inclination of the panel **±4 °**
- Adjustability eliminates possible construction imperfections.
- Ideal for installation on balconies and stairs.
- BS6180 Certification from the British Institute of Testconsult.

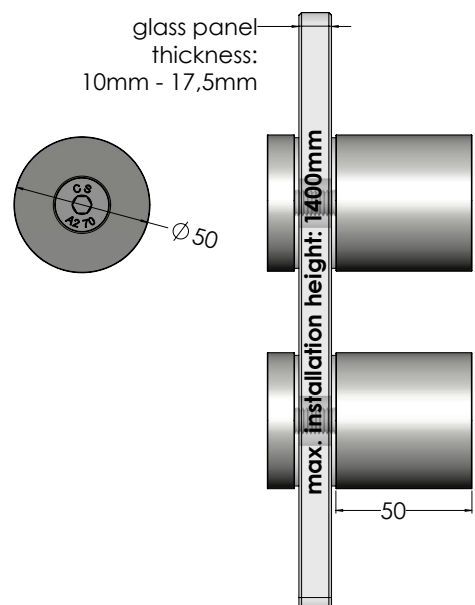




MS-120 STANDOFF Ø50 ANODIZED ALUMINIUM

The system consists of an aluminium glass standoff for frontal installation, diameter **Ø50**, and length **50mm**.

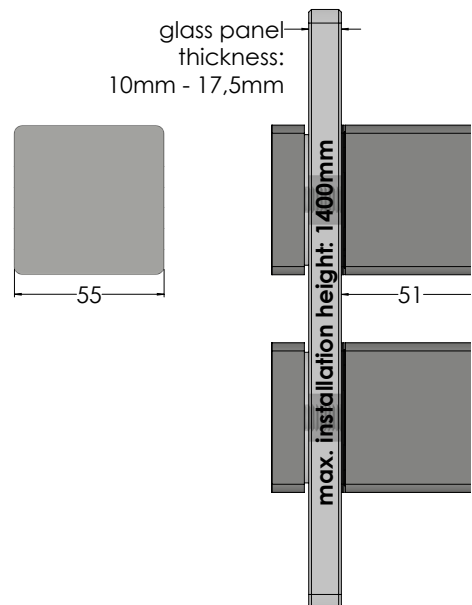
- Maximum installation height **1400mm**.
- Glass thickness range from **10mm to 17.5mm**.
- Ideal for installation on balconies and stairs.
- BS6180 Certification from the British Institute of Testconsult.

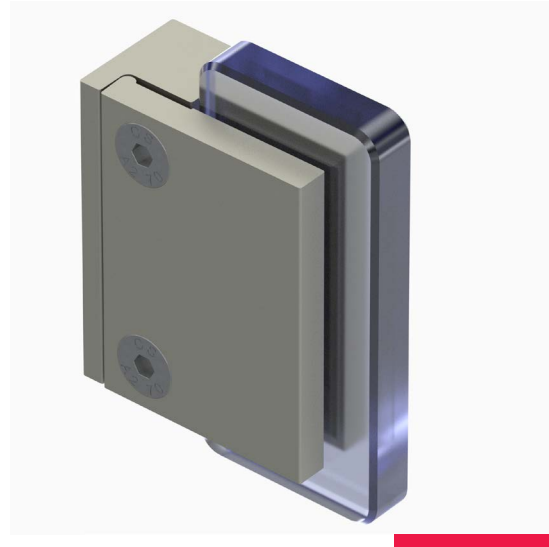
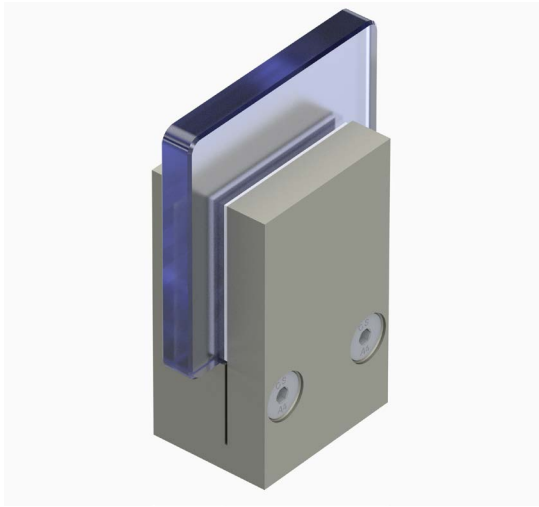




MS-120-S
RECTANGULAR COVER FOR MS-120 OR Ø50 STANDOFF

- Rectangular cover for **MS-120** or **Ø50** aluminium standoff.



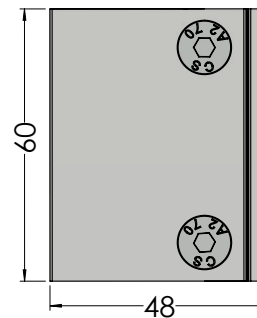
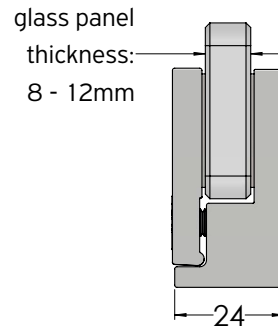
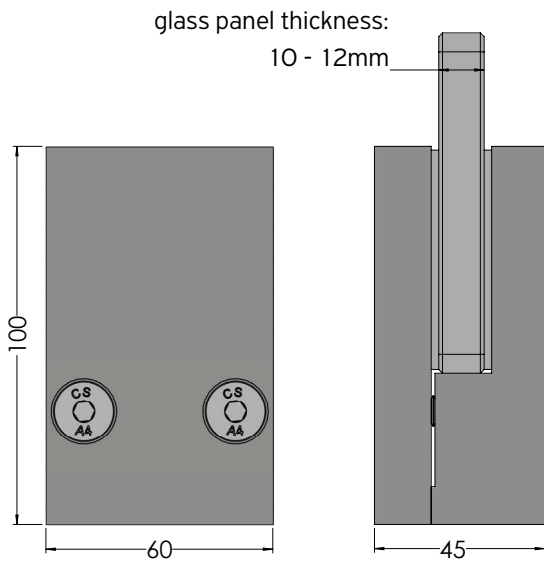


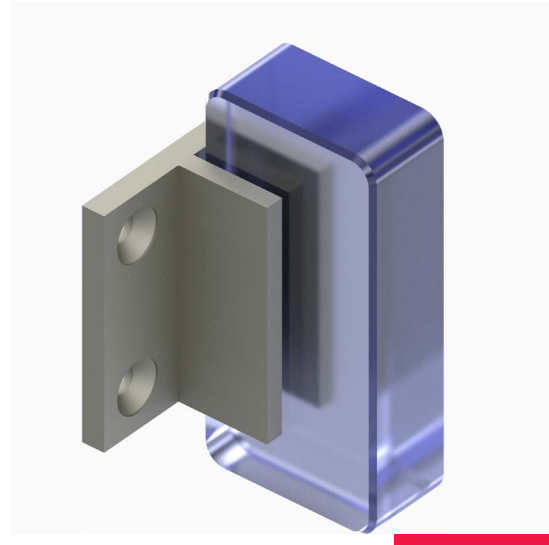
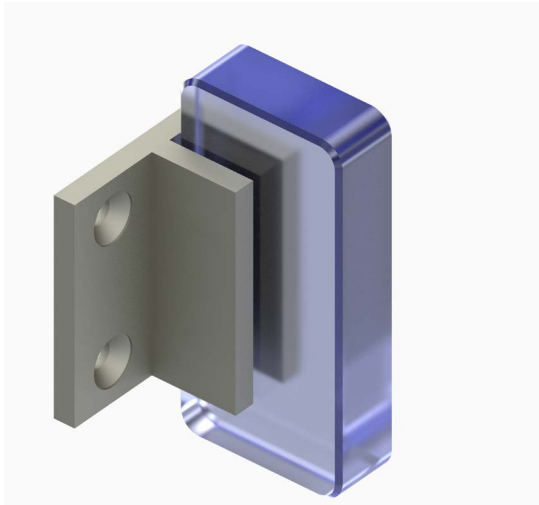
MS-127
STAND FOR GLASS PANELS

- Stand for glass panels with thickness **10mm** or **12mm**.
- Suitable for floor mounting.

1015-L
STAND FOR GLASS PANELS

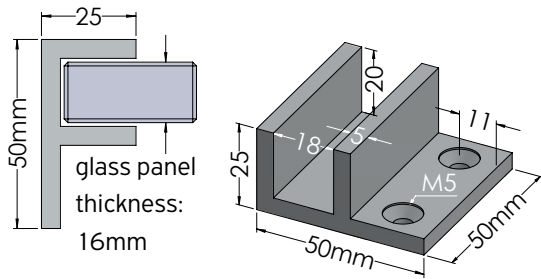
- Stand for glass panels with thickness **8mm** or **12mm**.
- Compatible with **MS-6030** system.
- Suitable for wall mounting.





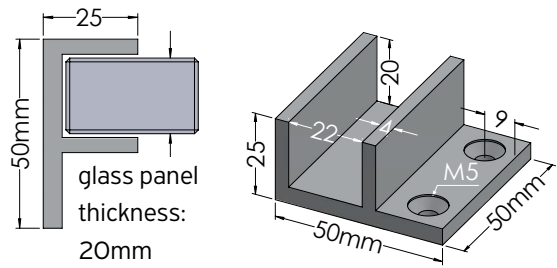
GFH-50
WALL STAND FOR GLASS PANELS

- Stand for glass panels with thickness **16mm**.
- Suitable for wall mounting.



GFH-51
WALL STAND FOR GLASS PANELS

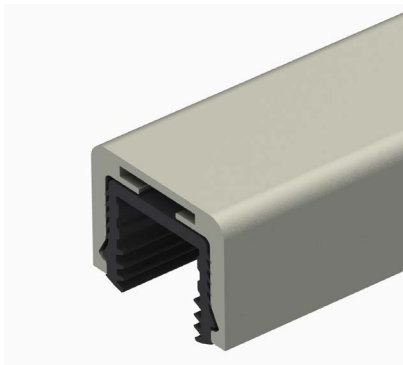
- Stand for glass panels with thickness **20mm**.
- Suitable for wall mounting.





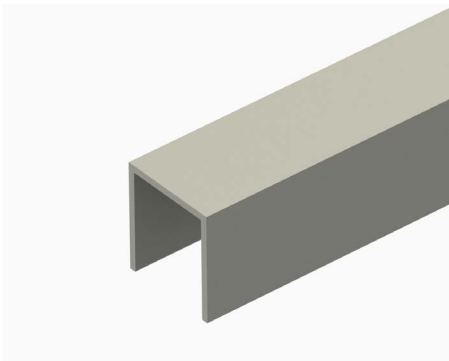
MS-1000 D35
ALIGNMENT ACCESSORY
FOR GLASS PANELS

-
Compined with the MS-1000.



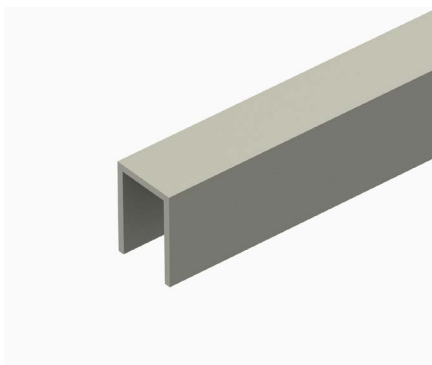
MS-1100
HANDRAIL FOR GLASS BALUSTRADE
SYSTEM

-
Compined with the MS-1000.



300-GHR-2019
HANDRAIL FOR GLASS BALUSTRADE
SYSTEM

-
Compined with the MS-1000.



300-GHR-2015
HANDRAIL FOR GLASS BALUSTRADE
SYSTEM

-
Compined with the MS-1000.



Find us on social media



ΠΑΝΙΔΗΣ ΑΒΕΕ

για να κατεβάσετε τον
κατάλογο προϊόντων
κάντε click ή scan



PANIDIS-SA

click or scan to
download
the product catalogue

PANIDIS SA

Headquarters & Factory

11th km Old National Road
Thessaloniki - Kilkis
P.O. Box 141 • P.C. 570 08
Ionia • Thessaloniki • Greece

T +30 2310 0 780 352

+30 2310 784 519

F +30 2310 783 764

Athens Branch

38 Chr. Lada & Lisia
P.C. 121 32
Peristeri • Athens • Greece

T +30 210 5155 430

+30 210 5155 439

F +30 210 5155 434