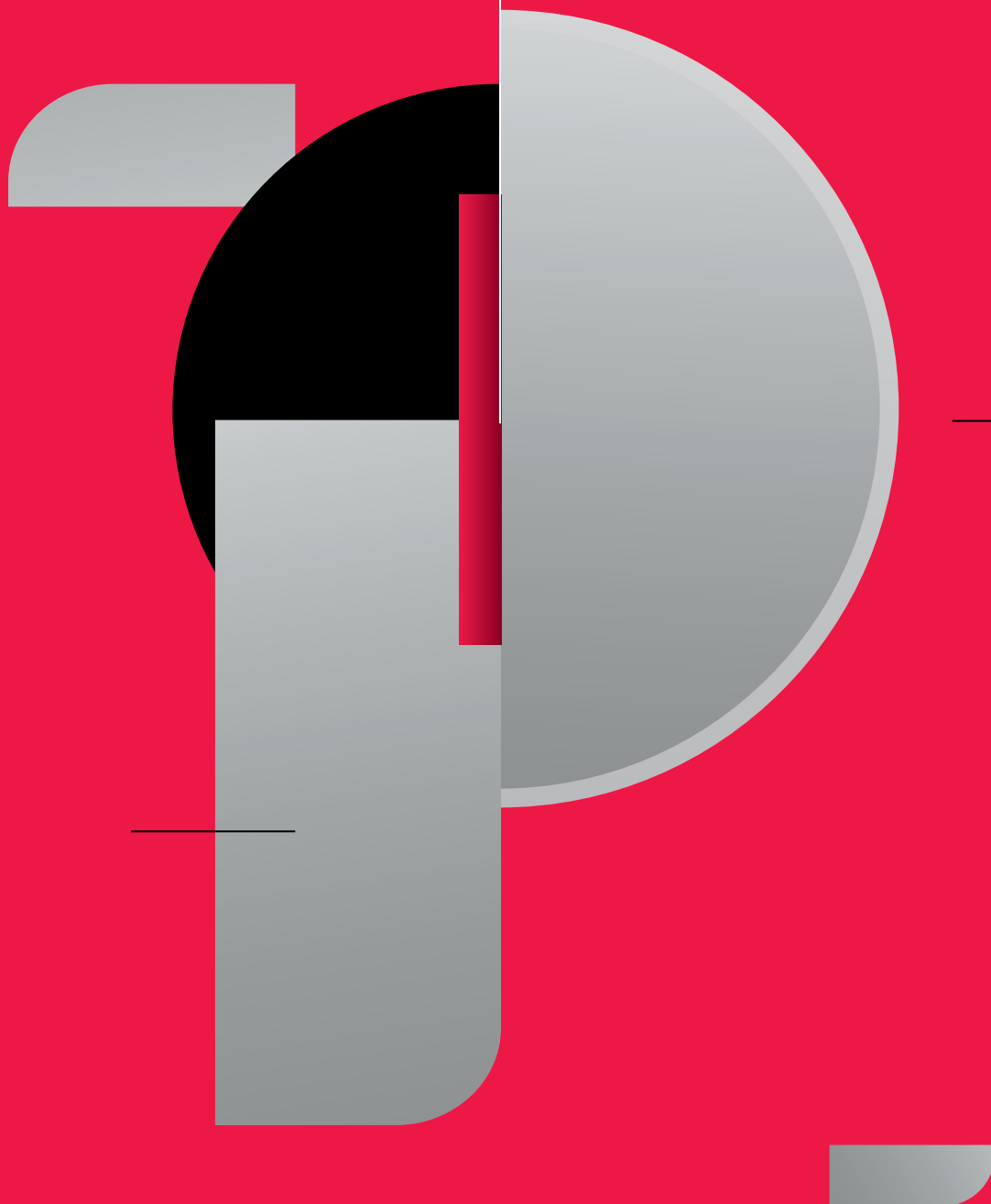


PRODUCT
CATALOGUE
2022

PANIDIS 
MAKEDONIKI • ALUMINIUM SYSTEM COMPONENTS





INDEX

	PAGE
COMPANY PROFILE	03
GLASS DOORS SYSTEMS & ACCESSORIES	05
SHOWERING SYSTEMS & ACCESSORIES	21
RAILINGS & BALLUSTRADES	29
PIVOT MECHANISMS	41
CONCEALED HINGES	47
PIVOTING HANDLES	52
PULL HANDLES	63
ALUMINIUM ACCESSORIES	71







COMPANY PROFILE

Panidis SA was founded in 1974 by Mr. Grigoris Panidis with the distinctive name "Macedonian brass". The company's initial engagement was the processing and engraving of brass products, but soon it focused on the design and production of aluminium parts. Over the years and with the entry of the second generation in the company's administration, from a family company with limited human resources, it has become one of the leading companies in the Greek market, with hundreds of customers and exports to 25 countries in 3 continents. Until today, continuous investment in know-how and engineering equipment coupled with high-skilled personnel, suitably trained and with years of experience in manufacturing, have established Panidis SA as one of the most modern and dynamically developing Greek producers in the aluminium parts industry.

The high quality of all the products and services it provides, the highly competitive prices and the continuous research for the design and production of new innovative products, ensure a greate future development for Panidis SA, in the domestic but also international market for aluminium parts.

The vertical production installations, equipped with state-of-the-art CNC machining centers and lathes and with modern anodizing and powder coating units, produces 100% Greek products, with a wide range of accessories for aluminium systems, glazing accessories and aluminium railings. All products are constantly on stock and can be promptly delivered throughout Greece and abroad.



PANIDIS

MAKEDONIKI • ALUMINIUM SYSTEM COMPONENTS



- 1974** Establishment of the company by Grigorios Panidis. The company's initial engagement was the processing and engraving of brass products PANIDIS SA is founded by Mr. G. Panidis
- 1985** Market Introduction of Aluminum Railings System (MAK SYSTEM by PANIDIS SA)
- 1993** Focus on the design and production of molded aluminium components for door and window frames
 - Establishment of Athens Premises (Warehouse & Show Room)
- 1995** Upgrade production capacity of Architectural Aluminum components
- 2000** Creation of new facilities of 3500m²
 - Expansion of Headquarters premises with additional 3.500 m²
- 2002** Establishment of powder coating line for aluminium components
 - Installation of Powder Coating Plant
- 2006** Investment in CNC machining centers for the production of innovative and qualitative products
 - Investment in CNC Machining Centers
- 2007** Provision of bespoke solutions in extrusion for leading aluminium manufacturers by designing and producing specialized components
 - Enlarge Market penetration by developing Custom Made Solutions
- 2009** Establishment of a state-of-the-art anodizing line
 - Installation of new state-of-the-art Anodization Plant
- 2014** New market entry. Design and production of aluminium components and aluminium systems for glass
 - Launching of new Glass Accessories Product Portfolio
- 2018** Investment in 10 new CNC machining centers for the improvement of productivity
 - Expand production capacity / additional investment in new CNC Machining Centers



PIVOTING HANDLES

CONTENTS

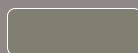
PAGES

●	PIVOTING HANDLES		53 - 62
○	HA-1700	PIVOTING HANDLE	
○	HA-2100	PIVOTING HANDLE	
○	HA-1705	PIVOTING HANDLE	
○	HA-2105	PIVOTING HANDLE	
○	HA-50	FLUSH PULL-HANDLE	
●	PIVOTING HANDLES FOR LIFT & SLIDE OPENINGS		
○	HA-2750	PIVOTING HANDLE	
○	HA-2750-WL	PIVOTING HANDLE WITH LOCKING CYLINDER SOCKET	
○	HA-100	FLUSH PULL-HANDLE	
●	HANDLES		
○	HA-1300	DOOR HANDLE	
○	FDH-50	SHUTTER HANDLE	

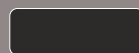
AVAILABLE SHADES



Natural
anodizing



Inox look
anodizing



Black
anodizing



Powder coating with
color options from
the RAL palette

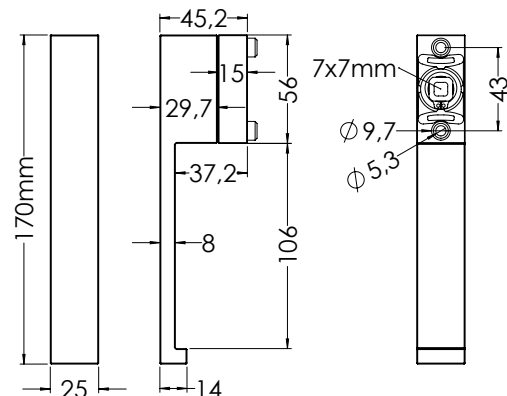


HA-1700

SOLID ALUMINIUM PIVOTING HANDLE

Aluminium handle **HA-1700** with unique design combining:

- Modern minimal aesthetics.
- High functionality and reliability.
- Applicable with absolute reliability in different types of systems (spindle **7X7mm**).
- For tilt & turn and sliding openings
- Finishing in natural, black or inox anodizing.



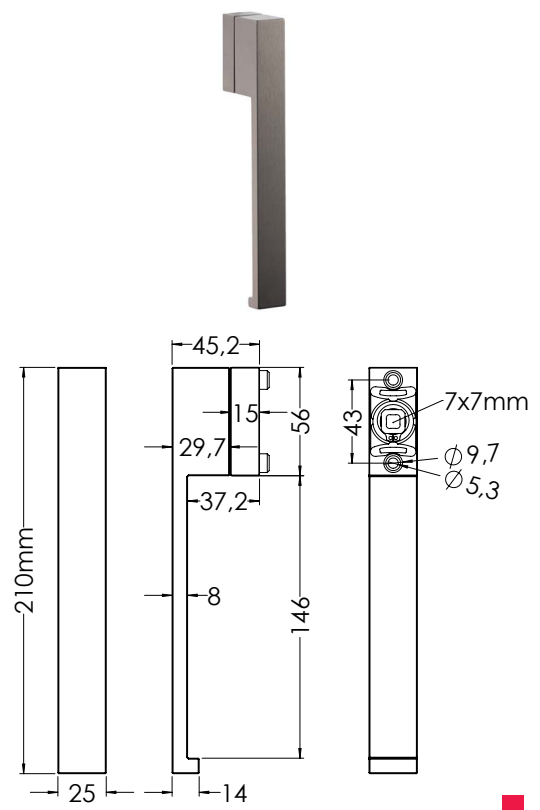


HA-2100

SOLID ALUMINIUM PIVOTING HANDLE

Aluminium handle **HA-2100** for lift and slide windows with unique design combining:

- Modern minimal aesthetics.
- High functionality and reliability.
- Applicable with absolute reliability in different types of systems (spindle **7X7mm**).
- For sliding, tilt & turn and lift & slide openings.
- Finishing in natural, black or inox anodizing.

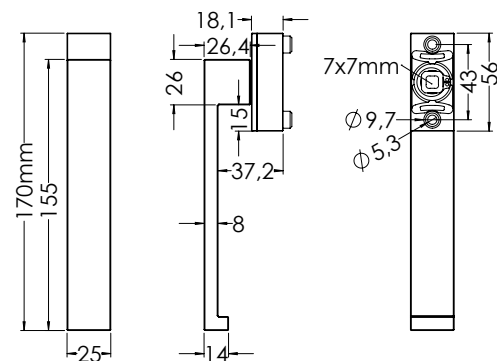




HA-1705 SOLID ALUMINIUM PIVOTING HANDLE

Aluminium handle **HA-1705** with unique design combining:

- Modern minimal aesthetics.
- High functionality and reliability.
- Applicable with absolute reliability in different types of systems (spindle **7X7mm**).
- For tilt & turn and sliding openings
- Finishing in natural, black or inox anodizing.

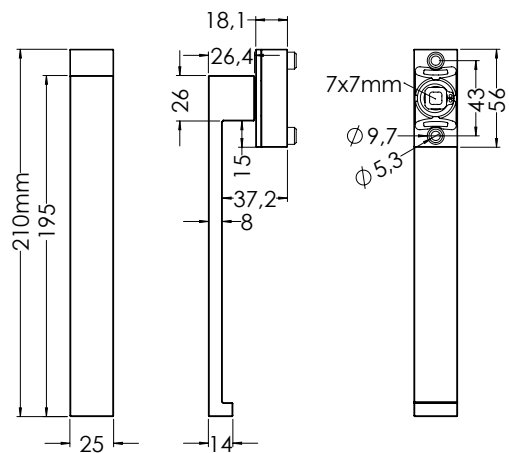




HA-2105 SOLID ALUMINIUM PIVOTING HANDLE

Aluminium handle **HA-2105** for lift and slide windows with unique design combining:

- Modern minimal aesthetics.
- High functionality and reliability.
- Applicable with absolute reliability in different types of systems (spindle **7X7mm**).
- For sliding, tilt & turn and lift & slide openings.
- Finishing in natural, black or inox anodizing.





HA-50

SOLID ANODIZED ALUMINIUM FLUSH-PULL HANDLE FOR FRAMES

The **HA-50** flush-pull handle is placed on the outside of the window and is combined with the:

HA-1700, HA-1705, HA-2100, HA-2105.



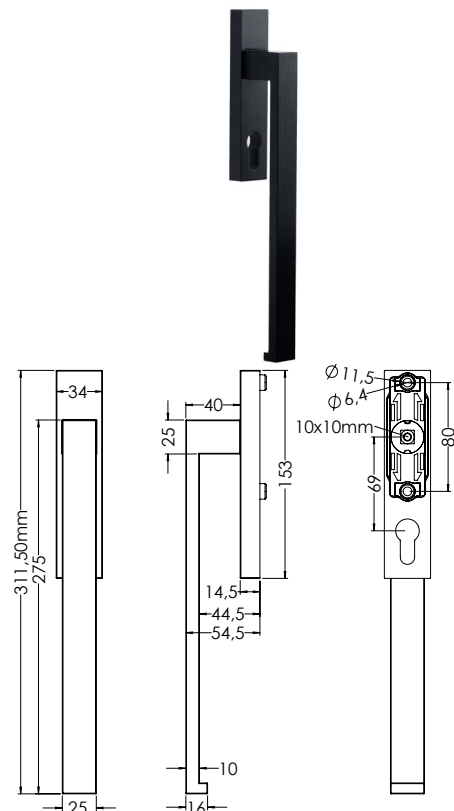


HA-2750-WL

SOLID ALUMINIUM PIVOTING HANDLE
FOR LIFT & SLIDE OPENINGS
WITH LOCKING CYLINDER SOCKET

Aluminium handle **HA-2750-WL** for lift and slide windows with -unique design combining:

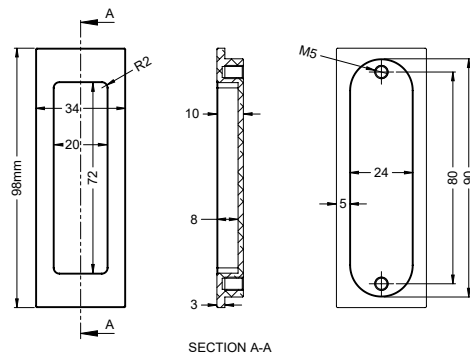
- Modern aesthetics.
- High functionality and reliability.
- Heavy-duty type for large windows.
- Applicable with absolute reliability in different types of systems (spindle **10x10mm**).
- Finishing in natural, black or inox anodizing.





HA-100
SOLID ANODIZED ALUMINIUM FLUSH-PULL HANDLE FOR FRAMES

The **HA-100** flush-pull handle is placed on the outside of the window and is combined with the **HA-2750 & HA-2750-WL** handle.

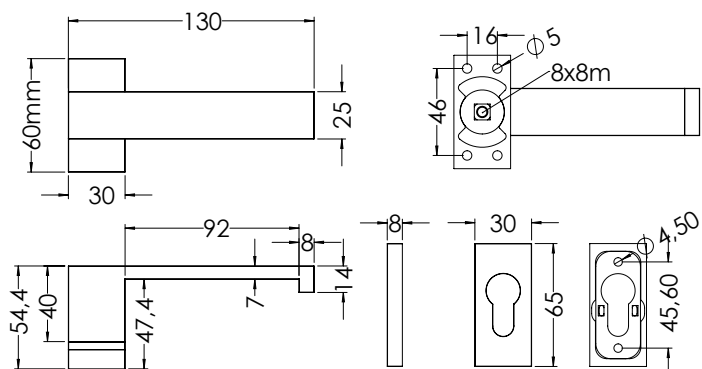
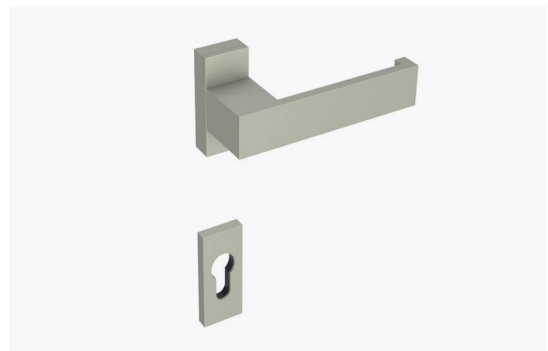




HA-1300 & ROSETTE
ANODIZED ALUMINIUM HANDLE FOR
INTERIOR OR EXTERIOR DOORS

Spring loaded **HA-1300** double handle for internal and external doors supplied with key rosette.

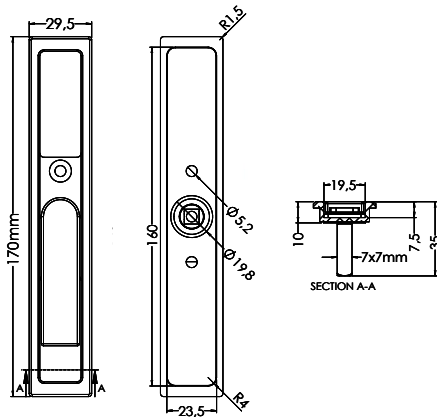
- Modern aesthetics.
- High functionality and reliability.





FDH-50
POP-UP ANODIZED ALUMINIUM
HANDLE FOR SLIDING DOORS

- Modern aesthetics.
- High functionality and reliability.
- Rotate angle: **0°, 90°, 180°**.
- Applicable with absolute reliability in different types of systems (spindle **7x7mm**).



Find us on social media



ΠΑΝΙΔΗΣ ΑΒΕΕ

για να κατεβάσετε τον
κατάλογο προϊόντων
κάντε click ή scan



PANIDIS-SA

click or scan to
download
the product catalogue

PANIDIS SA

Headquarters & Factory

11th km Old National Road
Thessaloniki - Kilkis
P.O. Box 141 • P.C. 570 08
Ionia • Thessaloniki • Greece

T +30 2310 0 780 352

+30 2310 784 519

F +30 2310 783 764

Athens Branch

38 Chr. Lada & Lisia
P.C. 121 32
Peristeri • Athens • Greece

T +30 210 5155 430

+30 210 5155 439

F +30 210 5155 434