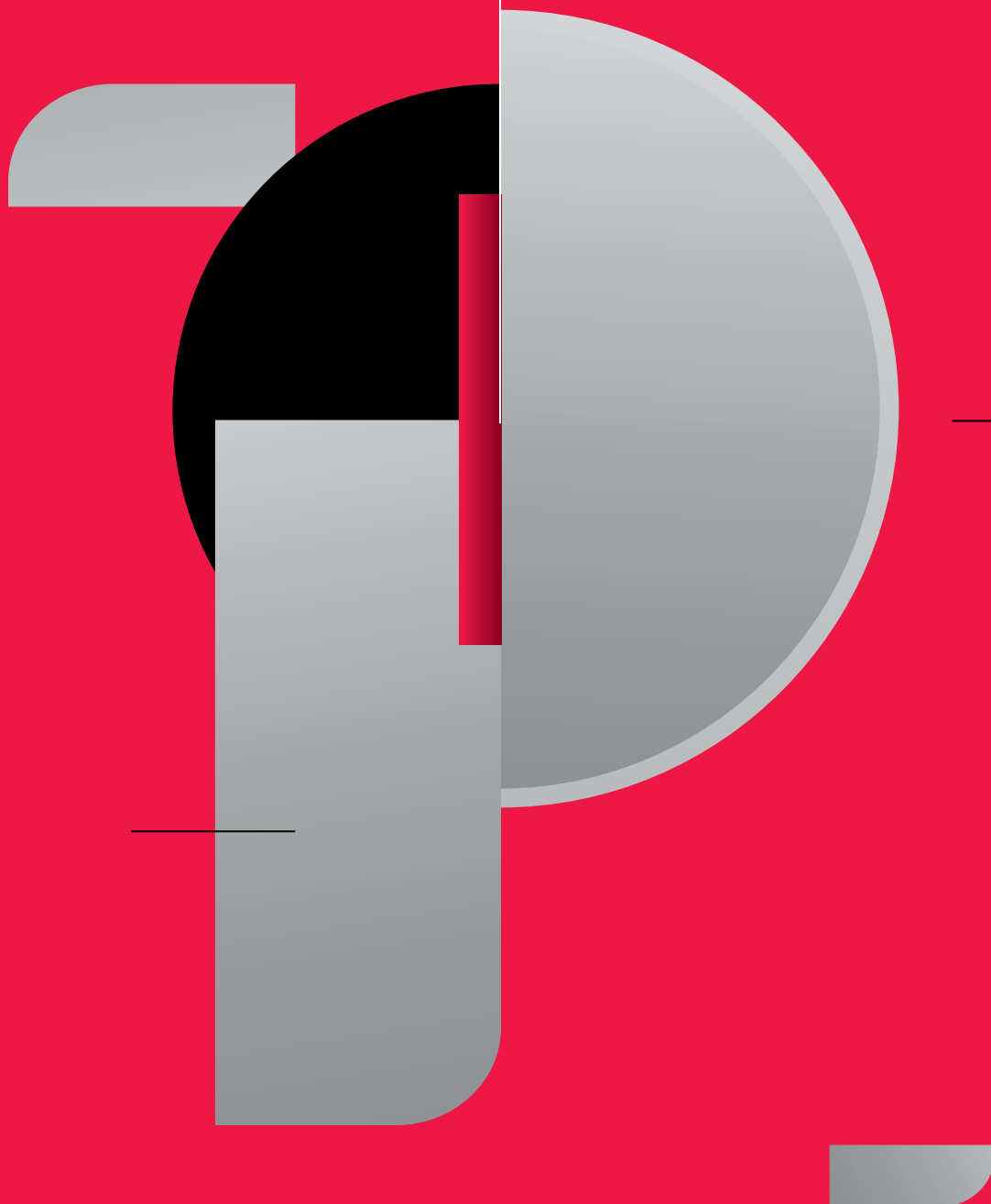


PRODUCT
CATALOGUE
2022

PANIDIS 
MAKEDONIKI • ALUMINIUM SYSTEM COMPONENTS





INDEX

	PAGE
COMPANY PROFILE	03
GLASS DOORS SYSTEMS & ACCESSORIES	05
SHOWERING SYSTEMS & ACCESSORIES	21
RAILINGS & BALLUSTRADES	29
PIVOT MECHANISMS	41
CONCEALED HINGES	47
PIVOTING HANDLES	52
PULL HANDLES	63
ALUMINIUM ACCESSORIES	71







COMPANY PROFILE

Panidis SA was founded in 1974 by Mr. Grigoris Panidis with the distinctive name "Macedonian brass". The company's initial engagement was the processing and engraving of brass products, but soon it focused on the design and production of aluminium parts. Over the years and with the entry of the second generation in the company's administration, from a family company with limited human resources, it has become one of the leading companies in the Greek market, with hundreds of customers and exports to 25 countries in 3 continents. Until today, continuous investment in know-how and engineering equipment coupled with high-skilled personnel, suitably trained and with years of experience in manufacturing, have established Panidis SA as one of the most modern and dynamically developing Greek producers in the aluminium parts industry.

The high quality of all the products and services it provides, the highly competitive prices and the continuous research for the design and production of new innovative products, ensure a greate future development for Panidis SA, in the domestic but also international market for aluminium parts.

The vertical production installations, equipped with state-of-the-art CNC machining centers and lathes and with modern anodizing and powder coating units, produces 100% Greek products, with a wide range of accessories for aluminium systems, glazing accessories and aluminium railings. All products are constantly on stock and can be promptly delivered throughout Greece and abroad.





PANIDIS

MAKEDONIKI • ALUMINIUM SYSTEM COMPONENTS



- 1974** Establishment of the company by Grigorios Panidis. The company's initial engagement was the processing and engraving of brass products PANIDIS SA is founded by Mr. G. Panidis
- 1985** Market Introduction of Aluminum Railings System (MAK SYSTEM by PANIDIS SA)
- 1993** Focus on the design and production of molded aluminium components for door and window frames
 - Establishment of Athens Premises (Warehouse & Show Room)
- 1995** Upgrade production capacity of Architectural Aluminum components
- 2000** Creation of new facilities of 3500m²
 - Expansion of Headquarters premises with additional 3.500 m²
- 2002** Establishment of powder coating line for aluminium components
 - Installation of Powder Coating Plant
- 2006** Investment in CNC machining centers for the production of innovative and qualitative products
 - Investment in CNC Machining Centers
- 2007** Provision of bespoke solutions in extrusion for leading aluminium manufacturers by designing and producing specialized components
 - Enlarge Market penetration by developing Custom Made Solutions
- 2009** Establishment of a state-of-the-art anodizing line
 - Installation of new state-of-the-art Anodization Plant
- 2014** New market entry. Design and production of aluminium components and aluminium systems for glass
 - Launching of new Glass Accessories Product Portfolio
- 2018** Investment in 10 new CNC machining centers for the improvement of productivity
 - Expand production capacity / additional investment in new CNC Machining Centers



GLASS DOOR SYSTEM & ACCESSORIES

CONTENTS

PAGES

● **GLASS PANEL DOORS & ACCESSORIES** **06 - 20**

- **GF-10** GLASS DOOR FRAME SYSTEM
- **GS-10** MINIMAL GLASS DOOR FRAME SYSTEM
- **GF-20** GLASS DIVIDER SYSTEM

● **LOCKES & ACCESSORIES**

- **GL-100** MAGNETIC LOCK
- **GL-102** MAGNETIC STRIKE PLATE FOR FRAME
- **GL-104** MAGNETIC STRIKE PLATE UNIVERSAL
- **GL-101** MAGNETIC STRIKE PLATE FOR GLASS PANEL
- **GS-10** DOOR STOPPER
- **GL-50** DOOR CLIP HOLDER

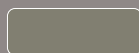
● **HINGES**

- **GH-10** HINGE GLASS - FRAME
- **GH-20** HINGE GLASS - GLASS
- **GH-30** HINGE GLASS - WALL
- **GH-30-S** HINGE GLASS - WALL
- **GH-40** HINGE GLASS - GLASS

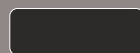
AVAILABLE SHADES



Natural
anodizing



Inox look
anodizing



Black
anodizing



Powder coating with
color options from
the RAL pallet

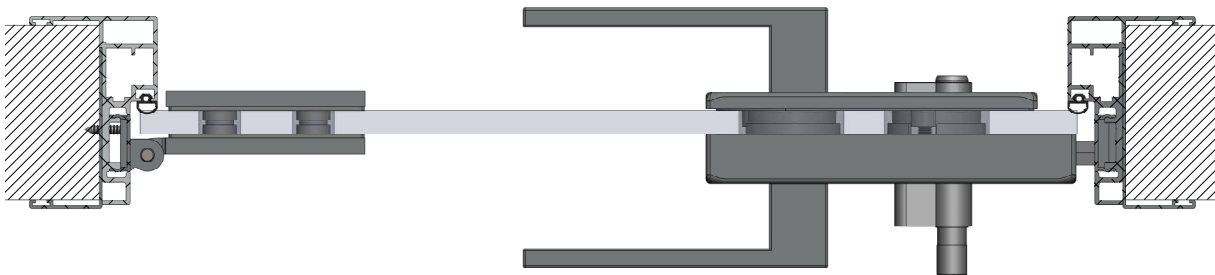


Download the brochure

GF-10 ALUMINIUM GLASS DOOR FRAME SYSTEM

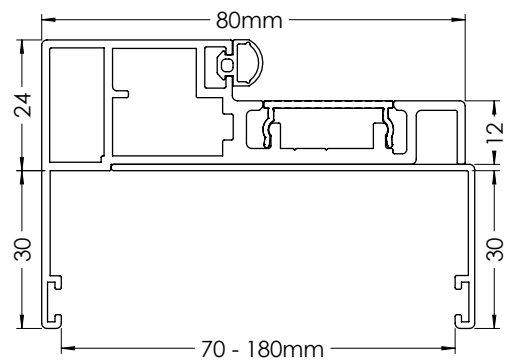
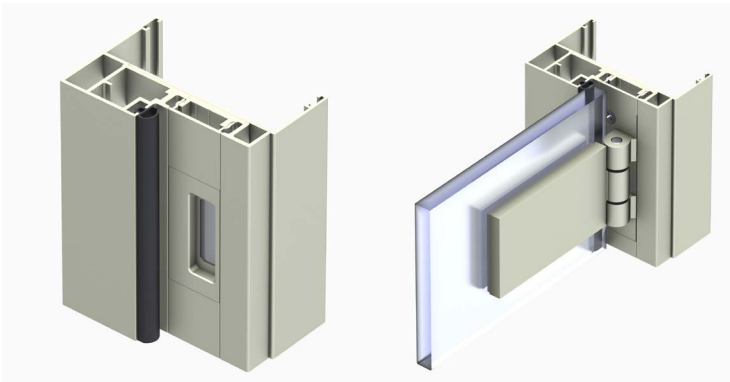
The aluminium glass door frame system **GF-10**, consists of the main profile, its lid and **2** types of jamb coverage, while it has a snap-on anti-shock seal.

- It is combined with **GH-10** hinges, a magnetic lock **GL-100** and a magnetic strike plate **GL-101 / GL-102** or door clip holder **GL-50** and a strike plate **GL-51**.
- Innovative flush design for the hinge and the strike plate.
- The system consists of **3** aluminum profiles of length **5,5m** each.
- Suitable for **8mm - 10mm** glass panel thickness.





- Maximum door weight **50kg** for **2** hinges, **75kg** for **3** hinges.
- Jamb coverage from **75mm** to **180mm**.
- Snap-on shock absorbing seals.
- Magnetic lock **GL-100** with magnetic strike plate.
- Corner connector brackets and corner alignment parts are included.
- Delivered immediately.
- Complete installation handbook provided.



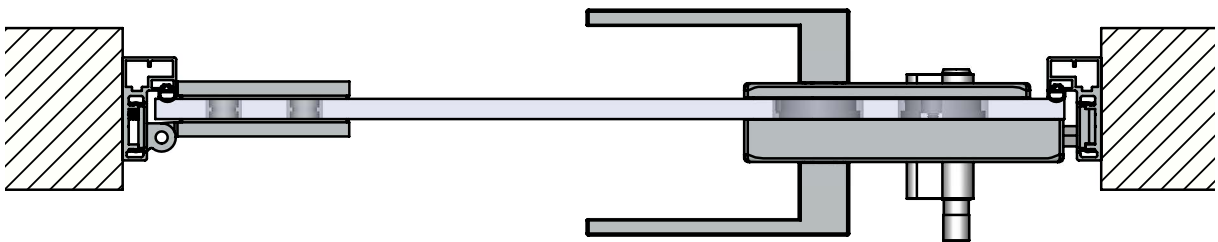


Download the brochure

GF-10-M MINIMAL ALUMINIUM GLASS DOOR FRAME SYSTEM

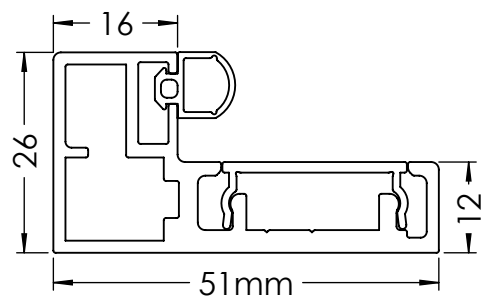
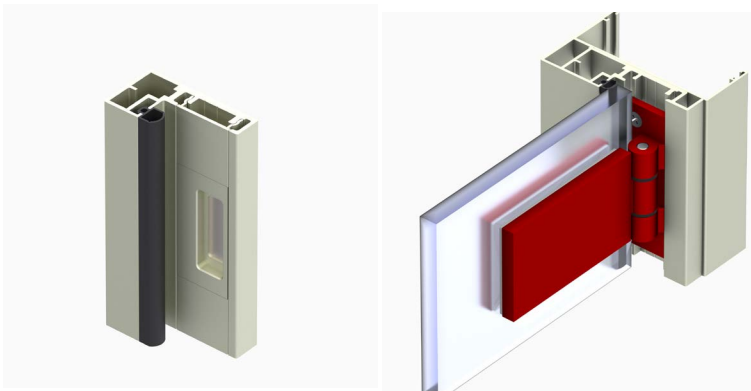
The aluminium glass door frame system **GF-10-M**, consists of the main profile, its lid and a snap-on anti-shock seal.

- It is combined with **GH-10** hinges, **GL-100** and a magnetic strike plate **GL-101 / GL-102** or a door clip holder **GL-50** and a strike plate **GL-51**.
- Innovative flush design for the hinge and the strike plate.
- The system consists of **2** aluminium profiles of length **5.5m** each.
- Suitable for **8mm - 10mm** glass panel thickness.





- Maximum door weight **50kg** for **2** hinges, **75kg** for **3** hinges.
- Snap-on shock absorbing seals.
- Magnetic lock **GL-100** with magnetic strike plate.
- Corner connector brackets are included.
- Delivered immediately.
- Complete installation handbook provided.

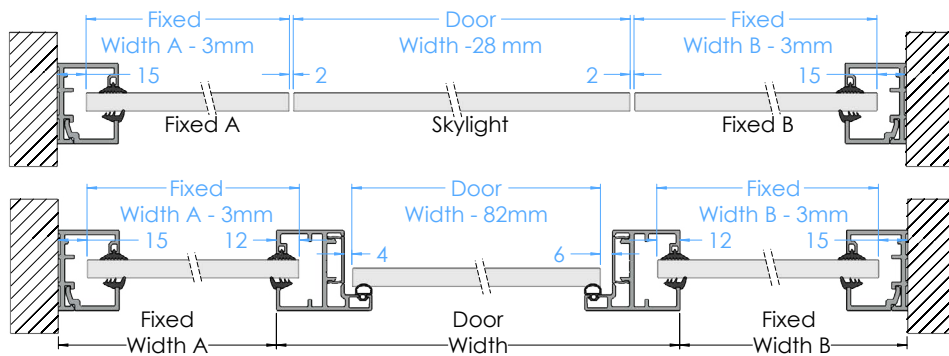




Download the brochure

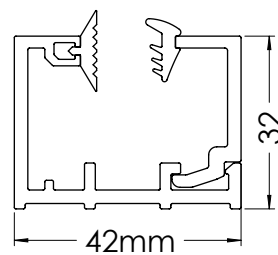
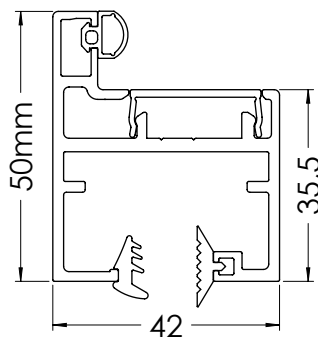
GF-20 ALUMINIUM GLASS DIVIDER SYSTEM

- The system consists of 4 aluminium profiles, 2 profiles with 5,5 meters length (GF-20-01, GF-10-02) and 2 profile with 6 meters length (GF-20-02, GF-20-03), resulting in reduced stock required and limiting material waste.
- The aluminium profiles are available in many finishing options: natural anodized, satiné (inox look) anodized, black anodized, or powder coating in selected shades from the RAL palette.
- It is combined with **GH-10** hinges, **GL-100** and a magnetic strike plate **GL-101 / GL-102** or a door clip holder **GL-50** and a strike plate **GL-51**.





- The frame is easily and quickly installed, it harmoniously encases the base and creates an aesthetically flawless result.
- Suitable for installation of glass panels ranging from 8mm to 10mm in thickness.
- The lock strike plate is placed in a special formed channel, either at the right or at the left side of the frame, without requiring processing of the frame (cutting), which causes wear and aesthetic imperfections.
- By placing the bases of the hinges in the specially formed channel of the frame, the channel acts as a guide for easy, quick, and correct door placement.
- Connection and alignment corners are provided, for a more rigid and solid application on corners.
- The system contains a rubber sealant which absorbs vibrations when the door is shut, decreases noise, and reduces odours and heat loss. Rubber sealants for fixed glass panels are also provided.
- Instant delivery with complete installation handbook and technical support if needed.

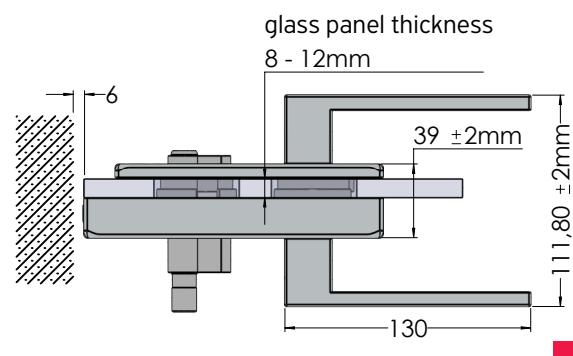
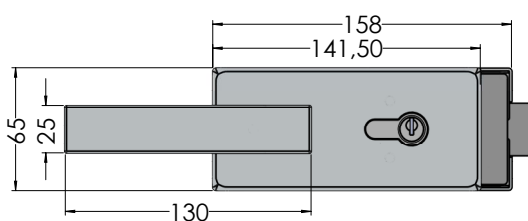
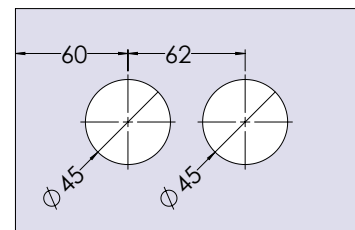


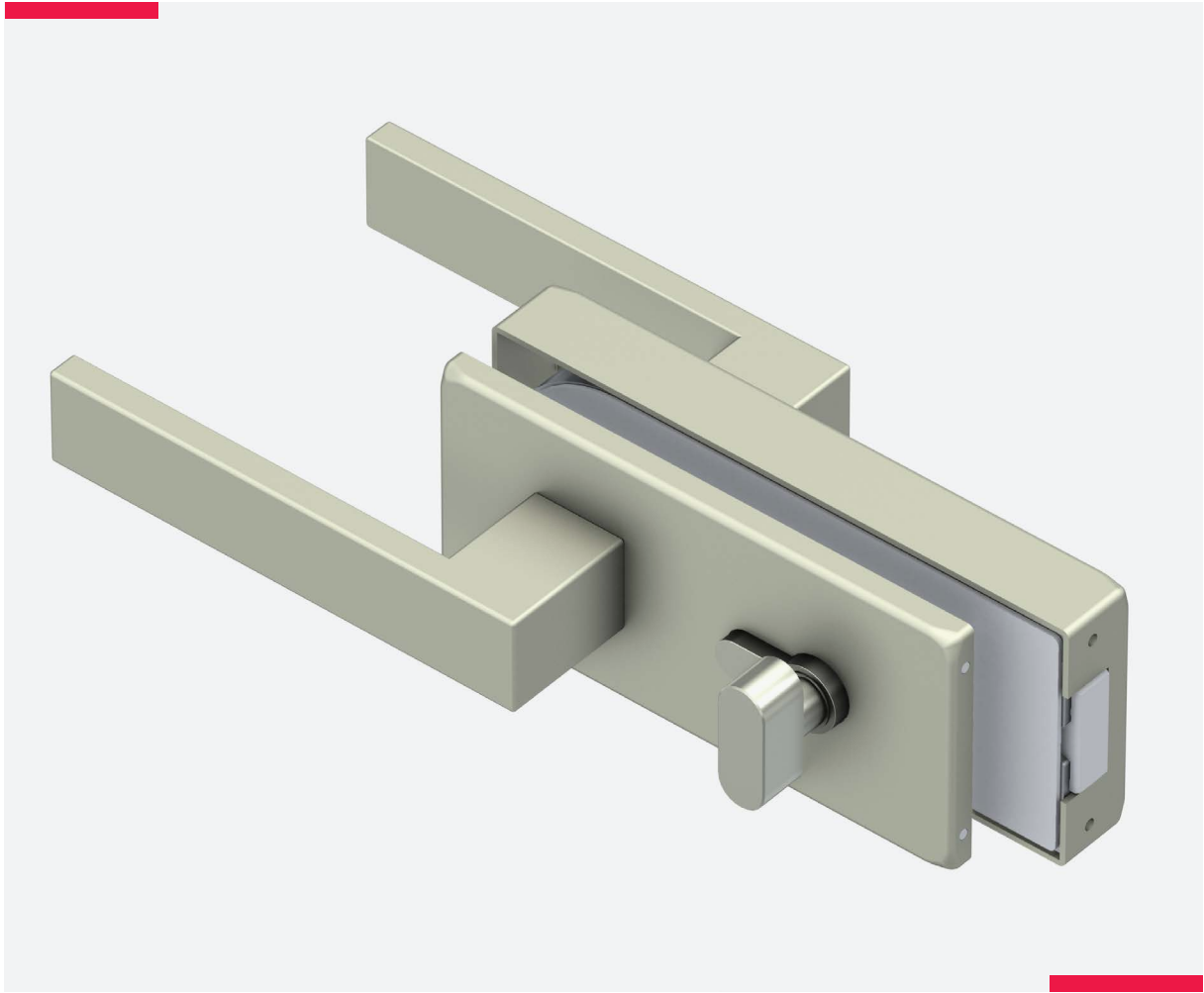


GL-100 MAGNETIC GLASS DOOR LOCK

High quality silent door lock with magnetic latch that can be used on internal glass doors, both for glass to glass, glass to wall or frame profile installations.

- The magnetic latch can be deactivated in it's open position to prevent trapping of people in non accessible areas.
- Easy left or right installation, thus reducing stock requirements.
- Suitable for **8mm-10mm** and **12mm** glass panel thickness.
- Available magnetic strike plates **GL-101 / GL-102 / GL-104** for wall, wood or frame mounting.





AVAILABLE LOCK CYLINDERS

- key-key / key-thumb turn / thumb turn-coin release.



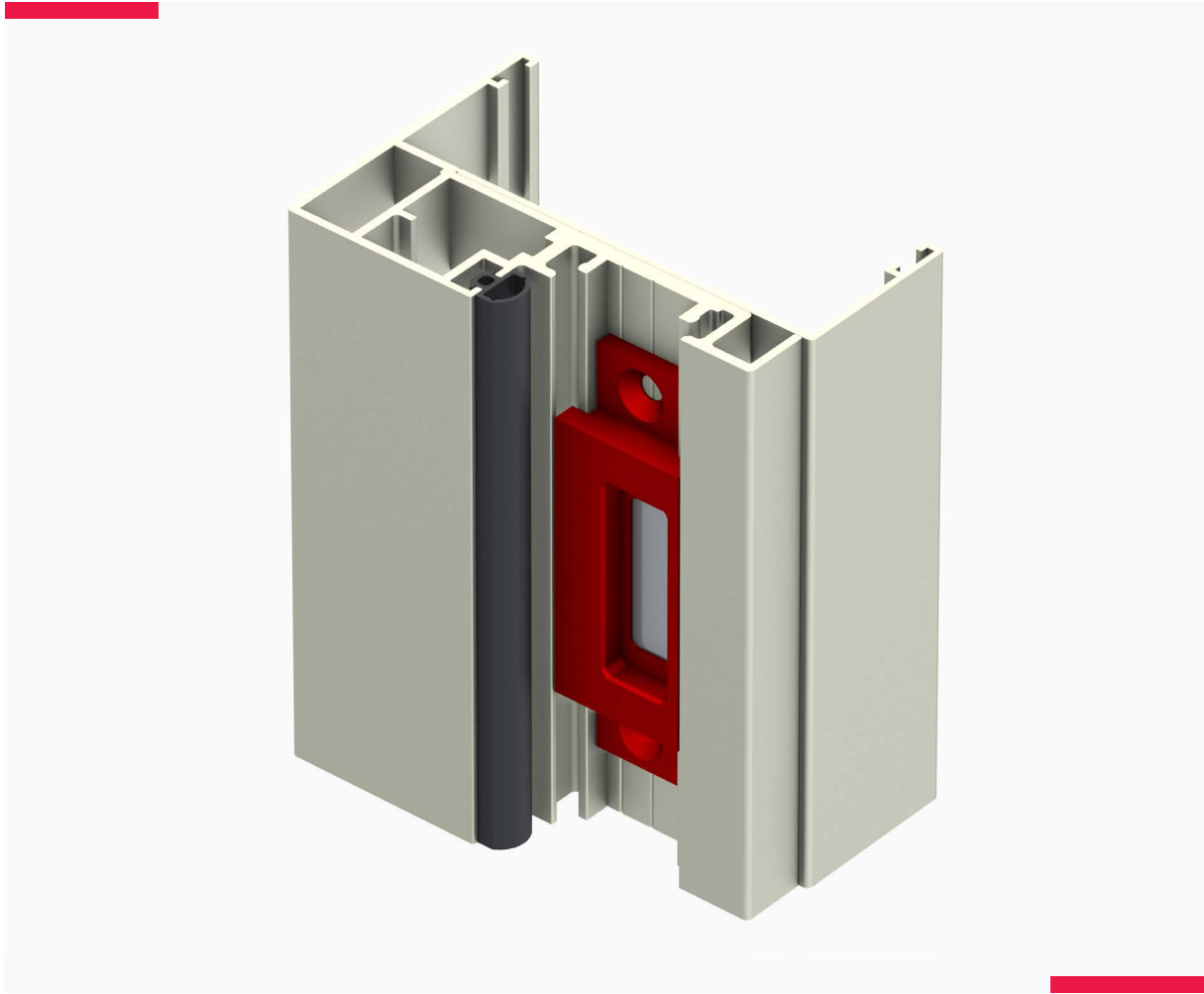
KEY-KEY



KEY-THUMB TURN

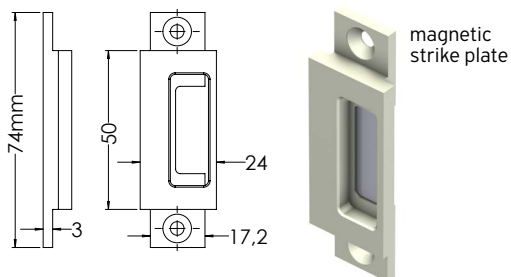


**THUMB TURN-
COIN RELEASE**



GL-102
MAGNETIC STRIKE PLATE FOR
GF-10 / GF-10M / GF-20

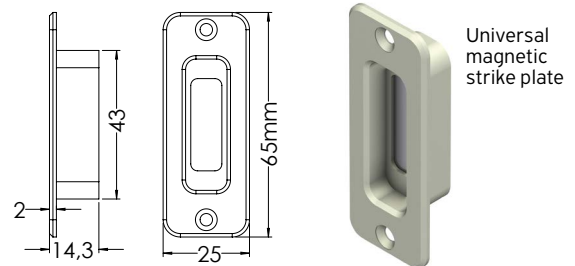
- Placed in a specially formed channel in the frame.
- No need to select a predetermined direction of door opening.
- No need for extra work to open a socket (cutting) on the frame. This eliminates potential damages and aesthetic imperfections.
- Easy and fast installation, significantly reducing the total installation time.

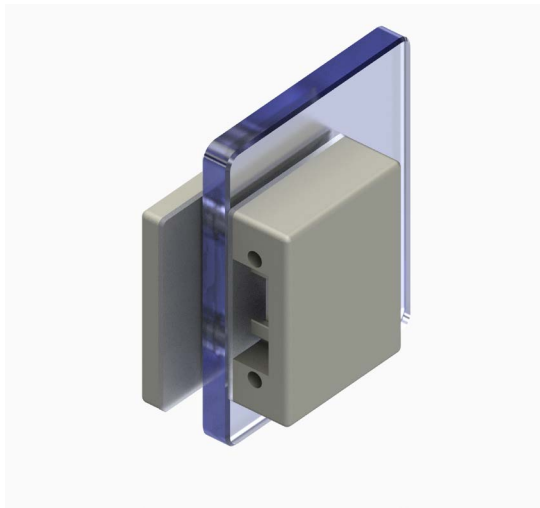


WWW.PANIDIS-SA.COM

GL-104
MAGNETIC STRIKE PLATE
(UNIVERSAL)

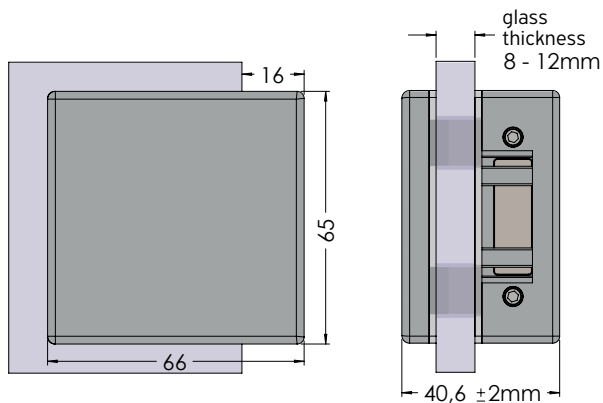
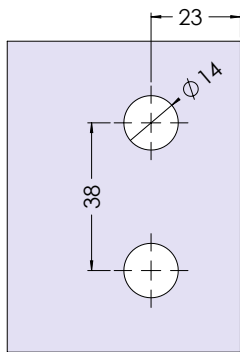
- Strike plate designed for any type of aluminium or wooden frame.





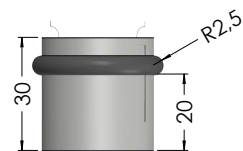
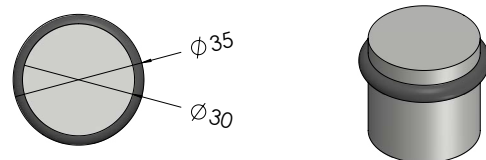
GL-101
MAGNETIC STRIKE PLATE FOR GL-100

- Easy left or right installation.
- Suitable for **8mm-10mm** and **12mm** glass panel thickness.



GS-10
DOOR STOPPER

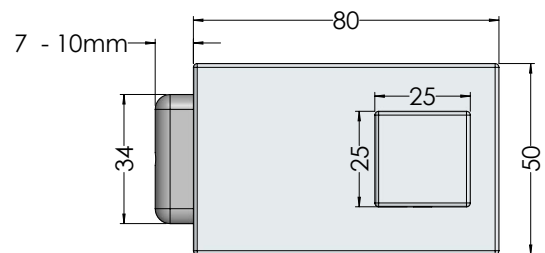
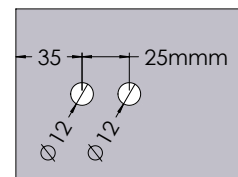
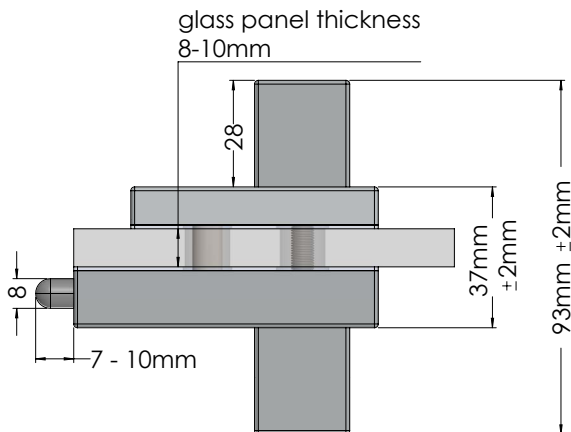
- Snap-on shock absorbing seal.





GL-50
DOOR CLIP HOLDER

- Suitable for glass panel systems: **GF-10 / GF-10-M / GF-20**
- **8-10mm** glass panel thickness

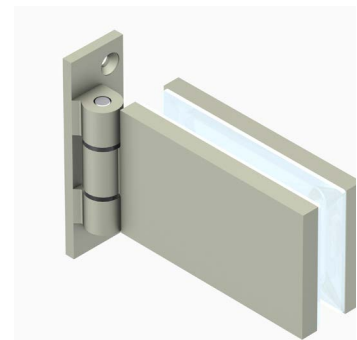
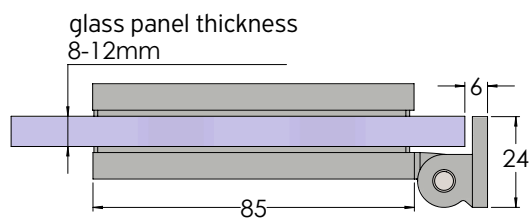
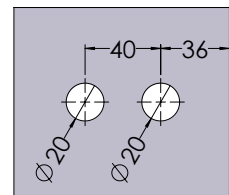




GH-10 SIDE HUNG HINGE - GLASS TO WALL

Hinge from high durable CNC machined aluminium for shower cabins and internal glass doors.

- Suitable for **8mm-10mm** and **12mm** glass thickness.
- Maximum door width **900mm**.
- **Free moving** (no stops).
- Maximum door weight **50kg** for **2** hinges, **75kg** for **3** hinges.
- Can be installed on **GF-10 / GF-10-M / GF-20**, walls and frame profiles.



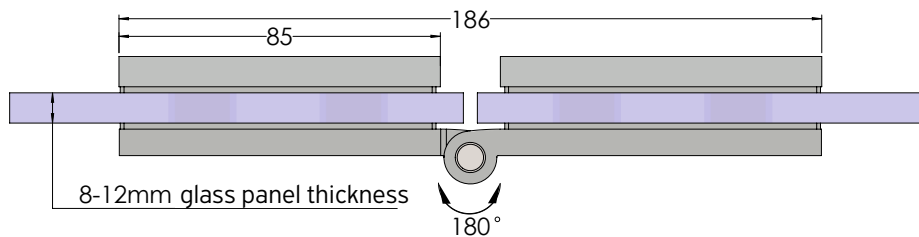
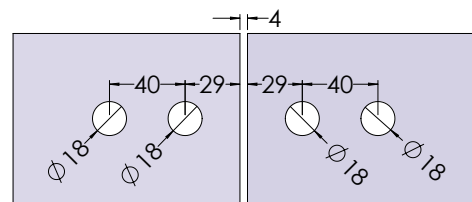


GH-20

SIDE HUNG HINGE - GLASS TO GLASS

Hinge from high durable CNC machined aluminium for shower cabins and internal glass doors.

- Suitable for **8mm-10mm** and **12mm** glass thickness.
- Maximum door width **900mm**.
- Free movement without stop from **0°-180°**.
- Maximum door weight **50kg** for 2 hinges, **75kg** for 3 hinges.



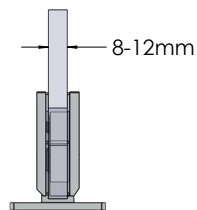
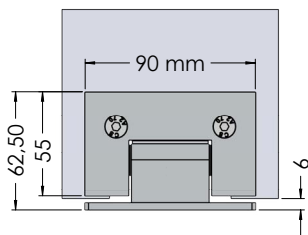
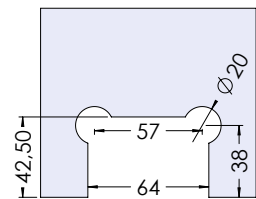


GH-30/GH-30-S

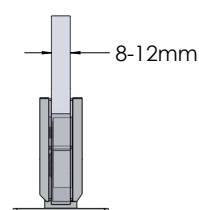
3POINT-ZERO POSITION SIDE HUNG HINGE - GLASS TO WALL

Hinge from high durable CNC machined aluminium for shower cabins and internal glass doors.

- Suitable for **8mm-10mm** and **12mm** glass thickness.
- Maximum door width **900mm**.
- Stopping positions at **0° ±90°**.
- Partial reset from **±25°** (closed position) **±15°** (open position) .
- Maximum door weight **50kg** for **2** hinges, **75kg** for **3** hinges.



GH-30



GH-30-S



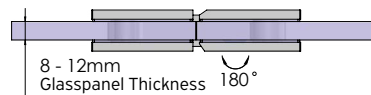
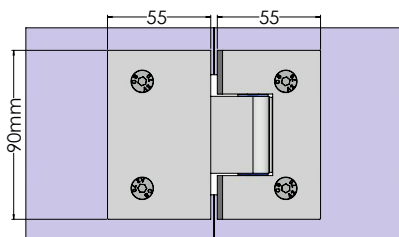
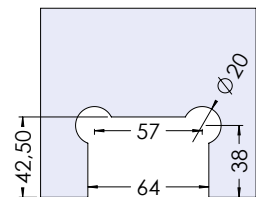


GH-40

3POINT-ZERO POSITION SIDE HUNG HINGE - GLASS TO GLASS

Hinge from high durable CNC machined aluminium for shower cabins and internal glass doors.

- Suitable for **8mm-10mm** and **12mm** glass thickness.
- Maximum door width **900mm**.
- Stopping positions at **0° ±90°**.
- Partial reset from **±25°** (closed position) **±15°** (open position) .
- Maximum door weight **50kg** for **2** hinges, **75kg** for **3** hinges.



Find us on social media



ΠΑΝΙΔΗΣ ΑΒΕΕ

για να κατεβάσετε τον
κατάλογο προϊόντων
κάντε click ή scan



PANIDIS-SA

click or scan to
download
the product catalogue

PANIDIS SA

Headquarters & Factory

11th km Old National Road
Thessaloniki - Kilkis
P.O. Box 141 • P.C. 570 08
Ionia • Thessaloniki • Greece

T +30 2310 0 780 352

+30 2310 784 519

F +30 2310 783 764

Athens Branch

38 Chr. Lada & Lisia
P.C. 121 32
Peristeri • Athens • Greece

T +30 210 5155 430

+30 210 5155 439

F +30 210 5155 434