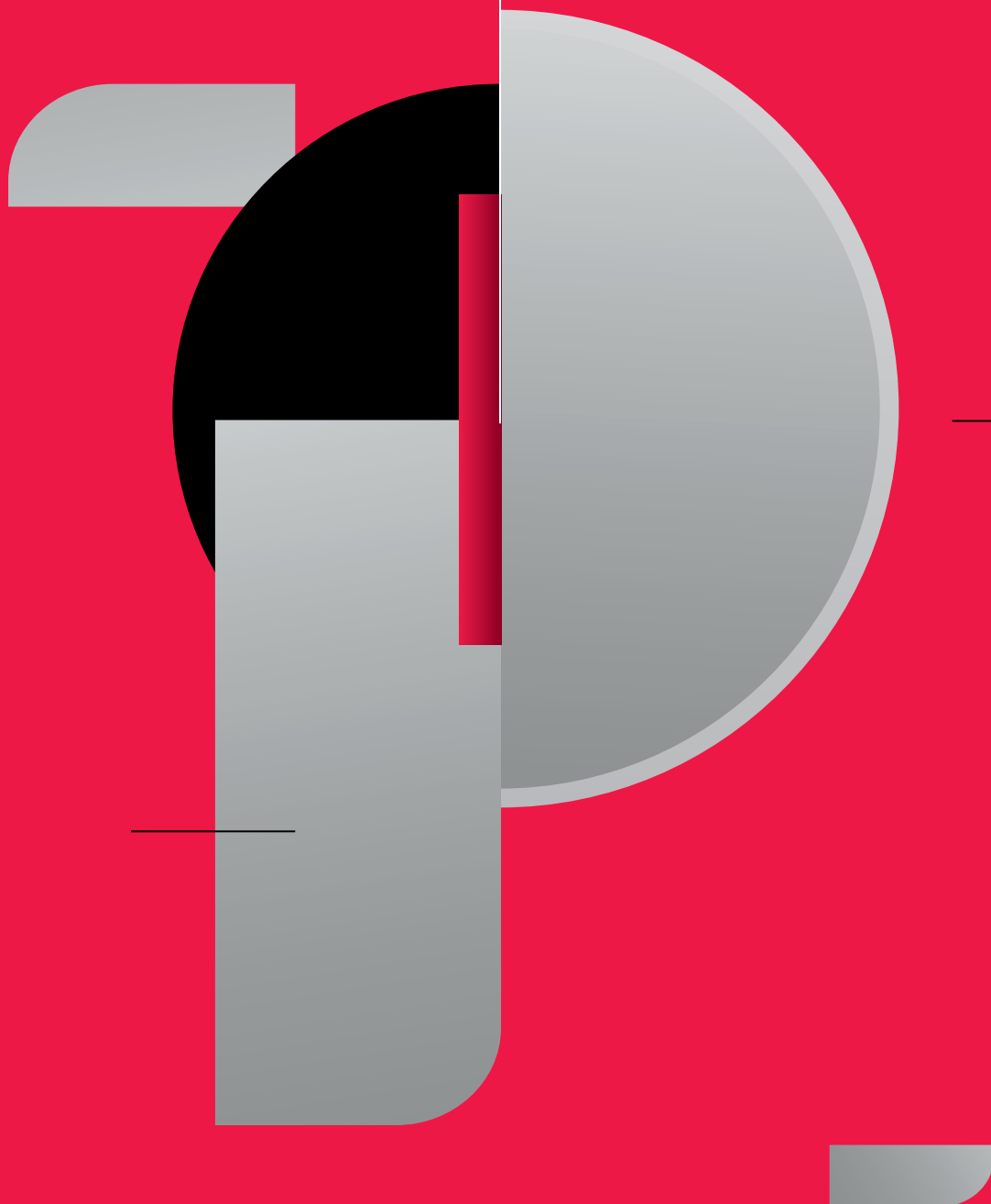


PRODUCT
CATALOGUE
2022

PANIDIS 
MAKEDONIKI • ALUMINIUM SYSTEM COMPONENTS





INDEX

	PAGE
COMPANY PROFILE	03
GLASS DOORS SYSTEMS & ACCESSORIES	05
SHOWERING SYSTEMS & ACCESSORIES	21
RAILINGS & BALLUSTRADES	29
PIVOT MECHANISMS	41
CONCEALED HINGES	47
PIVOTING HANDLES	52
PULL HANDLES	63
ALUMINIUM ACCESSORIES	71







COMPANY PROFILE

Panidis SA was founded in 1974 by Mr. Grigoris Panidis with the distinctive name "Macedonian brass". The company's initial engagement was the processing and engraving of brass products, but soon it focused on the design and production of aluminium parts. Over the years and with the entry of the second generation in the company's administration, from a family company with limited human resources, it has become one of the leading companies in the Greek market, with hundreds of customers and exports to 25 countries in 3 continents. Until today, continuous investment in know-how and engineering equipment coupled with high-skilled personnel, suitably trained and with years of experience in manufacturing, have established Panidis SA as one of the most modern and dynamically developing Greek producers in the aluminium parts industry.

The high quality of all the products and services it provides, the highly competitive prices and the continuous research for the design and production of new innovative products, ensure a greate future development for Panidis SA, in the domestic but also international market for aluminium parts.

The vertical production installations, equipped with state-of-the-art CNC machining centers and lathes and with modern anodizing and powder coating units, produces 100% Greek products, with a wide range of accessories for aluminium systems, glazing accessories and aluminium railings. All products are constantly on stock and can be promptly delivered throughout Greece and abroad.





PANIDIS

MAKEDONIKI • ALUMINIUM SYSTEM COMPONENTS



- 1974** Establishment of the company by Grigorios Panidis. The company's initial engagement was the processing and engraving of brass products PANIDIS SA is founded by Mr. G. Panidis
- 1985** Market Introduction of Aluminum Railings System (MAK SYSTEM by PANIDIS SA)
- 1993** Focus on the design and production of molded aluminium components for door and window frames
 - Establishment of Athens Premises (Warehouse & Show Room)
- 1995** Upgrade production capacity of Architectural Aluminum components
- 2000** Creation of new facilities of 3500m²
 - Expansion of Headquarters premises with additional 3.500 m²
- 2002** Establishment of powder coating line for aluminium components
 - Installation of Powder Coating Plant
- 2006** Investment in CNC machining centers for the production of innovative and qualitative products
 - Investment in CNC Machining Centers
- 2007** Provision of bespoke solutions in extrusion for leading aluminium manufacturers by designing and producing specialized components
 - Enlarge Market penetration by developing Custom Made Solutions
- 2009** Establishment of a state-of-the-art anodizing line
 - Installation of new state-of-the-art Anodization Plant
- 2014** New market entry. Design and production of aluminium components and aluminium systems for glass
 - Launching of new Glass Accessories Product Portfolio
- 2018** Investment in 10 new CNC machining centers for the improvement of productivity
 - Expand production capacity / additional investment in new CNC Machining Centers



ALUMINIUM ACCESSORIES

CONTENTS

PAGES

72 - 88

HANDLES

X-502
X-505
X-507
X-508
X-602
X-608
X-702
X-708
X-812
X-820

PIVOTING

XS-100
XS-400
XS-500
XS-600
XS-700
XS-200
XS-550
SS-557
SN-857

HINGES & LARGE HINGES

M-10-PR
M-13-PR
M-10-S
MBT-100
MBT-110
MBT-310
MTT-110
MM-10/52
MM-10/72
MM-10/97
MM-10/120
MM-10/182
MM-10/220
MM-10/250

LOCKES

KA-370
KA-380
KS-900
KS-949
KA-879
CYL. No85 ALU
CYL. No100 ALU
CYL. No100 PVC
KA-600
KA-601

KIT - LATCHES

KIT-100-CE
KIT-200-CE
SS-100-CE
SD-1000
SD-1200

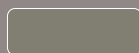
ALUMINIUM ACCESSORIES

AP-816
AP-2000/3000
KXP-300
XP-200
EP-200
BP-150/BP-230
K-100
P-10

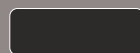
AVAILABLE SHADES



Natural
anodizing



Inox look
anodizing



Black
anodizing



Powder coating with
color options from
the RAL palette

**X-502**

-

Spring loaded double handle for all doors, with key rosette.

pieces/carton

20**X-505**

-

Left right single handle for small windows. Powder coated.

pieces/carton

30**X-507**

-

Spring loaded double handle with narrow plate.

pieces/carton

30**X-508**

-

Spring loaded double handle with plate.

pieces/carton

15

**X-602**

-

Spring loaded double handle for all doors, supplied with key rosette.

pieces/carton

20**X-608**

-

Spring loaded double handle with plate.

pieces/carton

15**X-702**

-

Spring loaded double handle for all doors, supplied with key rosette.

pieces/carton

24**X-708**

-

Spring loaded double handle for all doors, with plate.

pieces/carton

15

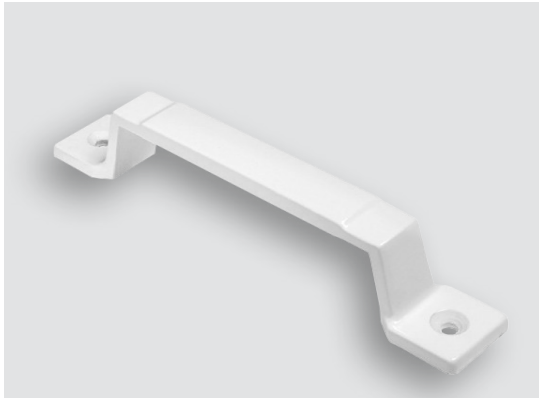
**X-812**

-

Fixed handle, powder coated.

Compatible with KS-900 & KS-949 locks.

pieces/carton

50**X-820**

-

Fixed handle, powder coated.

pieces/carton

50

**XS-100**

-

Aluminium pivoting handle for inward opening windows.

pieces/carton

20**XS-400**

-

Aluminium pivoting handle with locking cylinder for opening windows.

pieces/carton

18**XS-500**

-

Aluminium pivoting handle for inward opening windows.

pieces/carton

20**XS-600**

-

Aluminium pivoting handle for inward opening windows.

pieces/carton

20

**XS-700**

-

Aluminium pivoting handle for inward opening windows.

pieces/carton

20**XS-200**

-

Aluminium pivoting handle for shutters.

pieces/carton

20**XS-550**

-

Aluminium pivoting handle for shutters.

pieces/carton

20**SS-557**

-

Aluminium pivoting handle for sliding facing doors or windows.

pieces/carton

25

**SN-857**

-
aluminium pivoting handle for sliding facing doors
or windows.

pieces/carton

25



**M-10-PR**

-

Reversible hinge CE. External clip. Powder coated or natural anodised.

pieces/carton

100**M-13-PR**

-

Reversible hinge with three holes CE. External clip. Powder coated or natural anodised.

pieces/carton

100**M-10-S**

-

Triple Reversible hinge CE. Powder coated or natural anodised.

pieces/carton

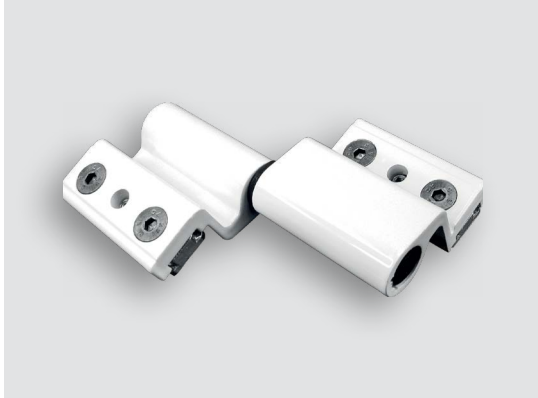
50**MBT-100**

-

Adjustable Reversible aluminum hinge, heavy duty type CE. Powder coated or natural anodised.

pieces/carton

24

**MBT-110**

-

Sideway adjustable reversible semi heavy duty hinge for Euro groove profiles.

pieces/carton

30**MBT-310**

-

Sideway adjustable heavy duty type hinge for Euro groove profiles.

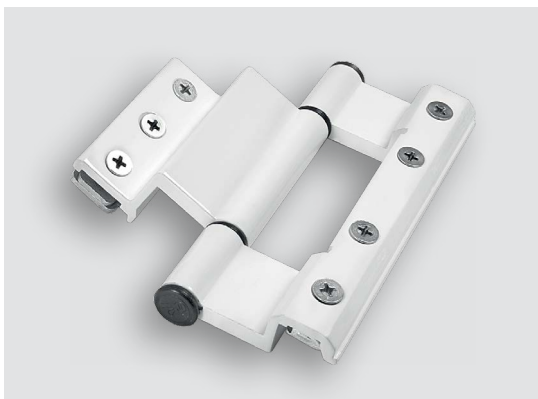
pieces/carton

30**MTT-10**

-

Hinge for three or four sashes CE. Powder coated or natural anodised.

pieces/carton

50**MM-10/52**

-

Large hinge for shutters 52mm for Euro groove profiles.

pieces/carton

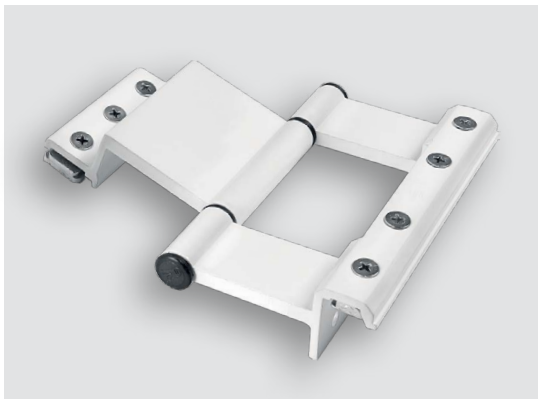
50

**MM-10/72**

-
Large hinge for shutters 72mm
for Euro groove profiles.

pieces/carton

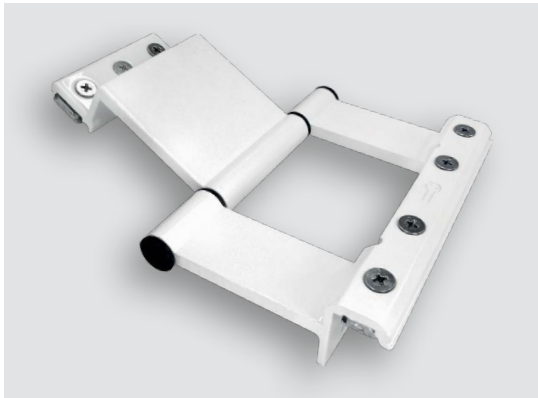
50

**MM-10/97**

-
Large hinge for shutters 97mm
for Euro groove profiles.

pieces/carton

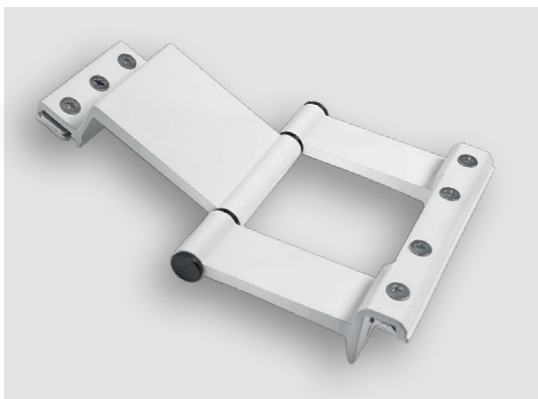
50

**MM-10/120**

-
Large hinge for shutters 120mm
for Euro groove profiles.

pieces/carton

50

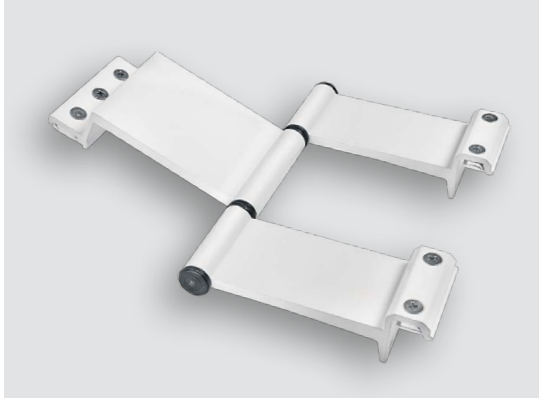
**MM-10/142**

-
Large hinge for shutters 142mm
for Euro groove profiles.

pieces/carton

50

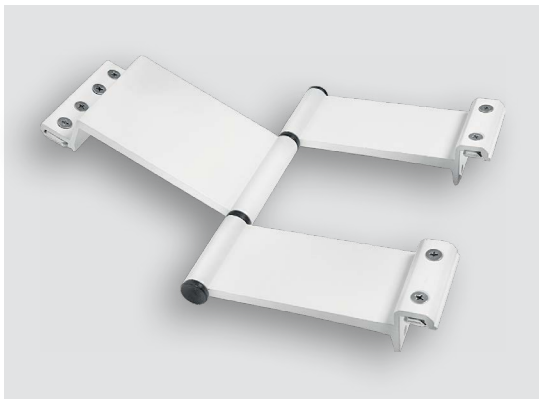


**MM-10/182**

-
Large hinge for shutters 182mm
for Euro groove profiles.

pieces/carton

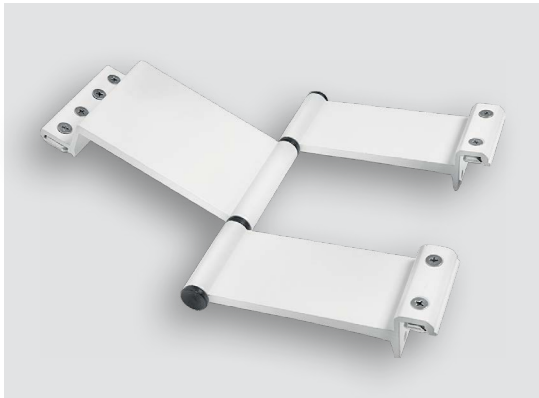
30

**MM-10/220**

-
Large hinge for shutters 220mm
for Euro groove profiles.

pieces/carton

25

**MM-10/250**

-
Large hinge for shutters 250mm
for Euro groove profiles.



**KA-370**

-

Lock for sliding door or window with lock cylinder 70mm, with inframe max 36mm.

pieces/carton

18**KA-380**

-

Lock for sliding door or window with lock cylinder 80mm, with inframe min 36mm.

pieces/carton

18**KS-900**

-

Lock for sliding doors with extra safety.

pieces/carton

40**KS-949**

-

Simple Flush Pull handles for sliding doors.

pieces/carton

50

**KA-879**

-

Opposite handle for locks KA-370 & KA-380.

pieces/carton

10&50**CYLINDER No 85, ALU**

-

Lock cylinder 30x10x45-85mm.

pieces/carton

10**CYLINDER No 100, ALU**

-

Lock cylinder 30x10x60-100mm.

pieces/carton

10**CYLINDER No 100, PVC**

-

Lock cylinder 40x10x50-100mm.

pieces/carton

10



KA-600

-
External safety P-SAFE.

pieces/carton

20



KA-601

-
External safety with lock cylinder P-SAFE.

pieces/carton

20



**KIT-100-CE**

-
Locking KIT for pivoting handle
for Euro groove profiles.

pieces/carton

50

**KIT-200-CE**

-
Kit for shutter pivoting handle CE.

pieces/carton

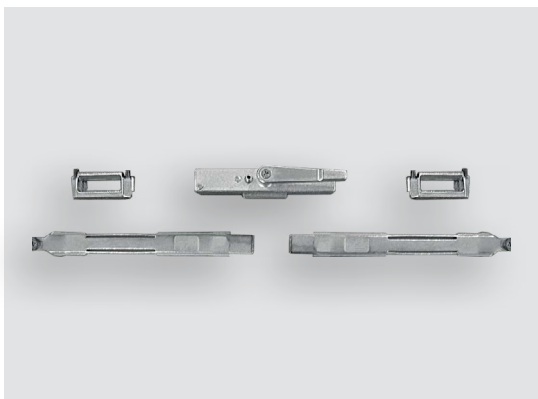
50

**SS-100-CE**

-
Latch for Euro groove profiles.

pieces/carton

50

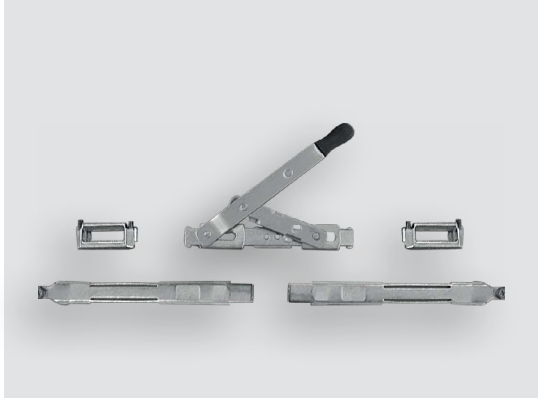
**SD-1000**

-
Mechanical latch for Euro groove profiles (internal
placement).

pieces/carton

50



**SD-1200**

-

Mechanical latch inox for Euro groove profiles.

pieces/carton

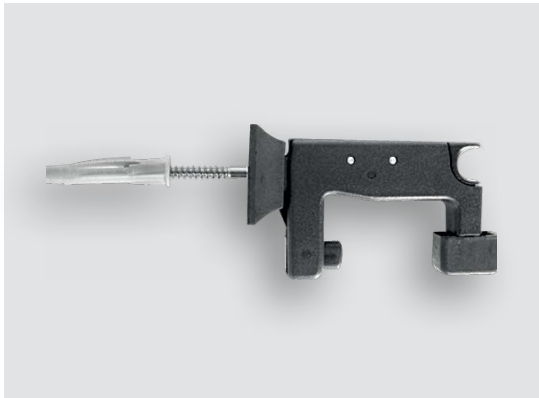
50

**AP-816**

-

Plastic finger catch for aluminium small windows.

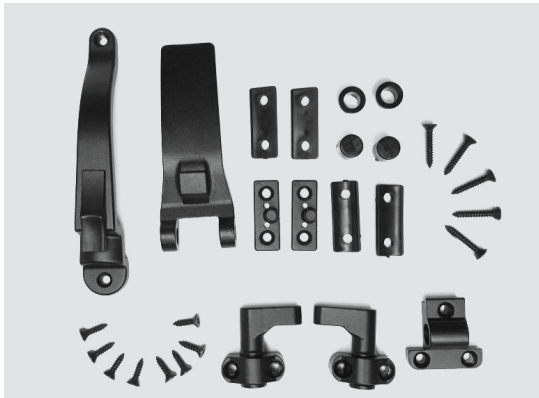
pieces/carton

100**AP-2000 / AP-3000**

-

External support element for shutters
(6x70 & 6x160).

pieces/carton

50**KXP-3000**

-

Locking handle KIT for shutters.

**XP-2000**

-

Small handle fixed simple.

**EP-2000**

-

External pin for shutters in use with KXP-3000.

**BP-150 / BP-230**

-

Galvanised rod for shutters 150 / 230cm.

**K-100**

-

Tilt hinge (stainless steel scissors).

pieces/carton

100**P-10**

-

Plastic support elements for shutters.

pieces/carton

600

Find us on social media



ΠΑΝΙΔΗΣ ΑΒΕΕ

για να κατεβάσετε τον
κατάλογο προϊόντων
κάντε click ή scan



PANIDIS-SA

click or scan to
download
the product catalogue

PANIDIS SA

Headquarters & Factory

11th km Old National Road
Thessaloniki - Kilkis
P.O. Box 141 • P.C. 570 08
Ionia • Thessaloniki • Greece

T +30 2310 0 780 352

+30 2310 784 519

F +30 2310 783 764

Athens Branch

38 Chr. Lada & Lisia
P.C. 121 32
Peristeri • Athens • Greece

T +30 210 5155 430

+30 210 5155 439

F +30 210 5155 434