

PANIDIS 
 MAKEDONIKI • ALUMINIUM SYSTEM COMPONENTS

PANIDIS S.A
 PRODUCTION OF ALUMINIUM RAILING SYSTEMS & ACCESSORIES
 TEL:+30 2310 780352-784 519, FAX: +30 2310 783764
 www.panidis-sa.com e-mail: info@panidis-sa.com

DWG NO.

MS-1500

MATERIAL:

WEIGHT:

REVISION:

DATE: 23/4/2021

DO NOT SCALE DRAWING

UNLESS OTHERWISE SPECIFIED:
 DIMENSIONS ARE IN MILLIMETERS

SHEET 1 OF 3

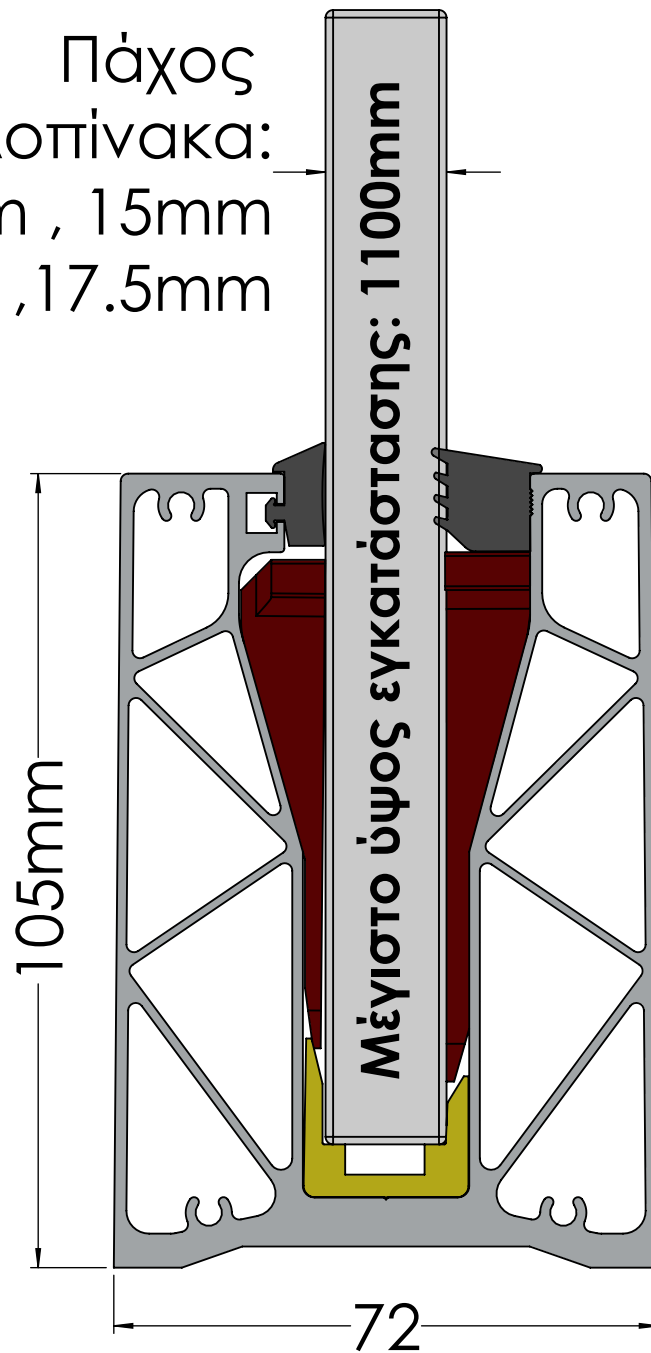
TOLERANCES:

LINEAR:
 ANGULAR:

SCALE:1:1

A4

Πάχος
υαλοπίνακα:
13mm , 15mm
16mm , 17.5mm



PANIDIS 
MAKEDONIKI • ALUMINIUM SYSTEM COMPONENTS

PANIDIS S.A.
PRODUCTION OF ALUMINIUM RAILING SYSTEMS & ACCESSORIES
TEL:+30 2310 780352-784 519, FAX: +30 2310 783764
www.panidis-sa.com e-mail: info@panidis-sa.com

DWG NO.

MS-1000

MATERIAL:

WEIGHT:

REVISION:

DATE: 23/4/2021

DO NOT SCALE DRAWING

UNLESS OTHERWISE SPECIFIED:
DIMENSIONS ARE IN MILLIMETERS

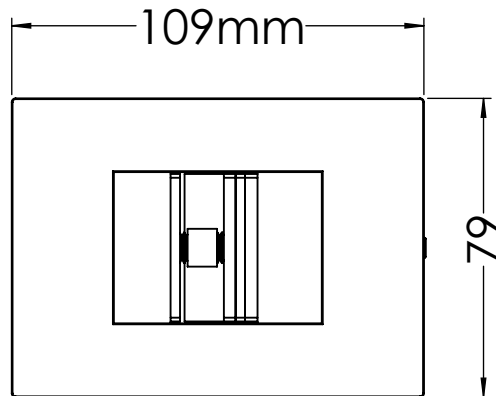
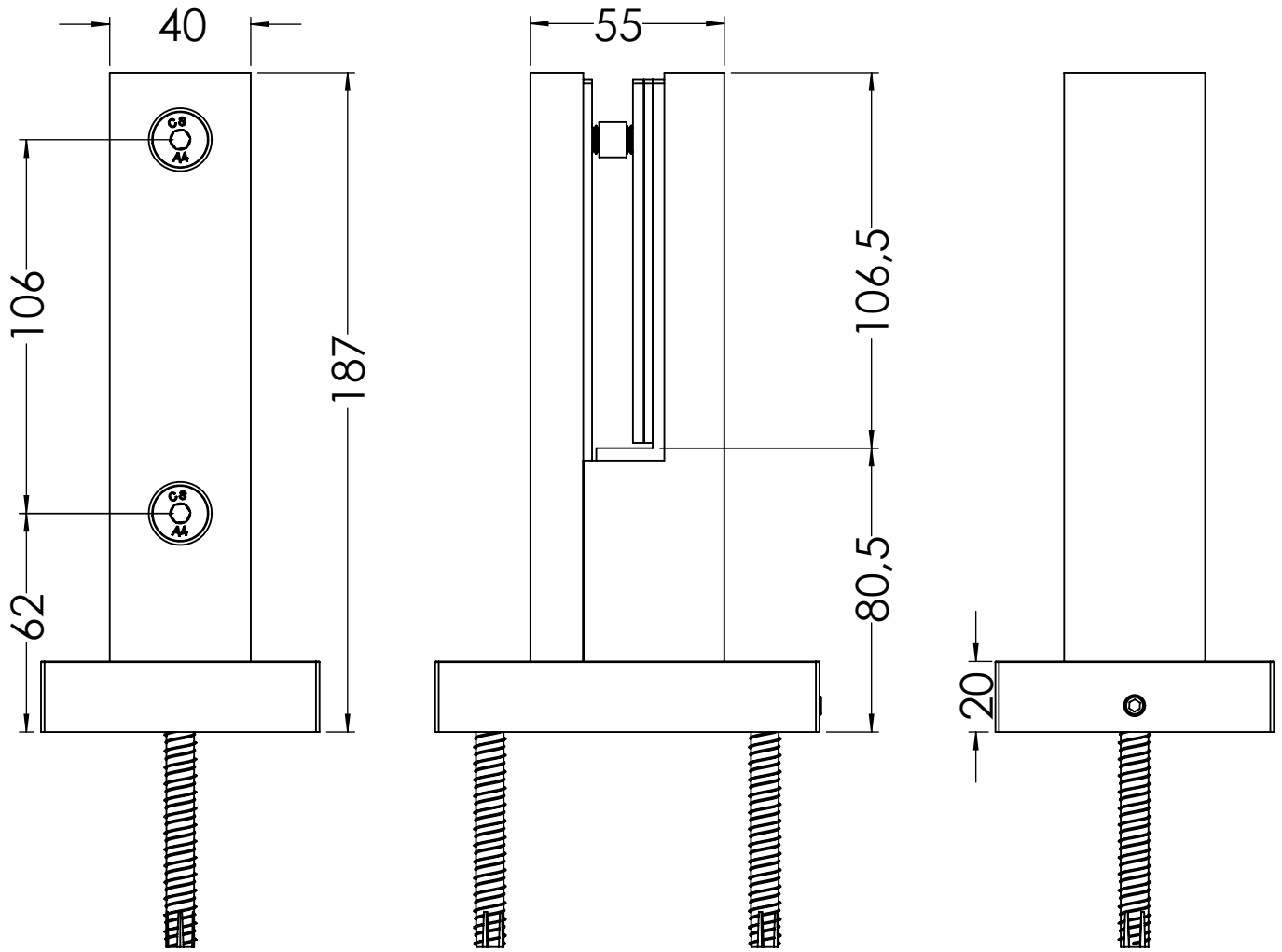
SHEET 1 OF 1

TOLERANCES:

LINEAR:
ANGULAR:

SCALE:1:1

A4



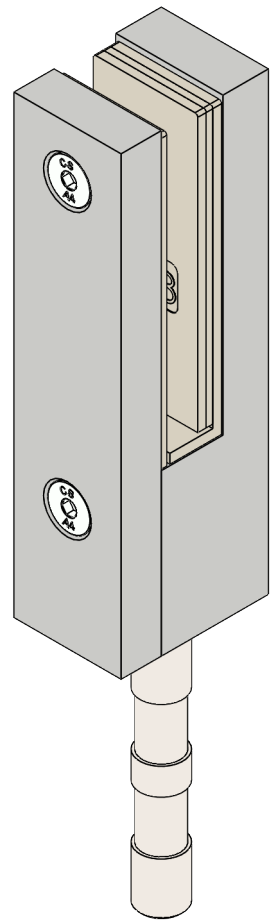
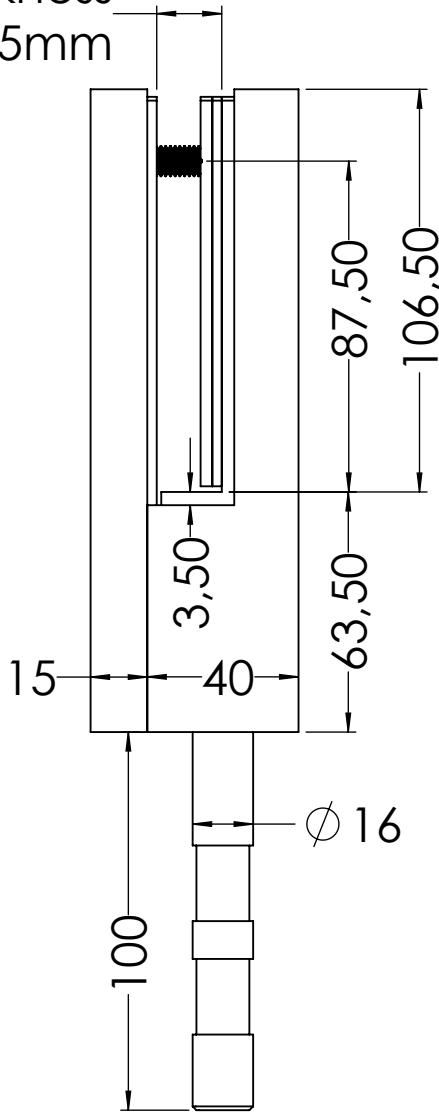
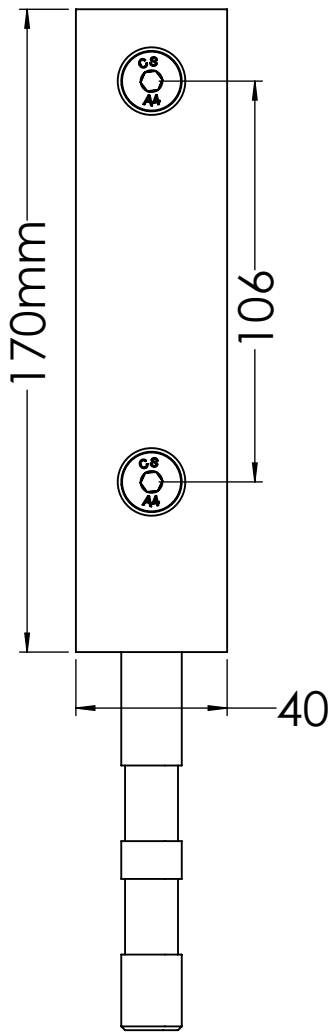
PANIDIS 
 MAKEDONIKI • ALUMINIUM SYSTEM COMPONENTS


PANIDIS S.A.
 PRODUCTION OF ALUMINIUM RAILING SYSTEMS & ACCESSORIES
 TEL:+30 2310 780352-784 519, FAX: +30 2310 783764
 www.panidis-sa.com e-mail: info@panidis-sa.com

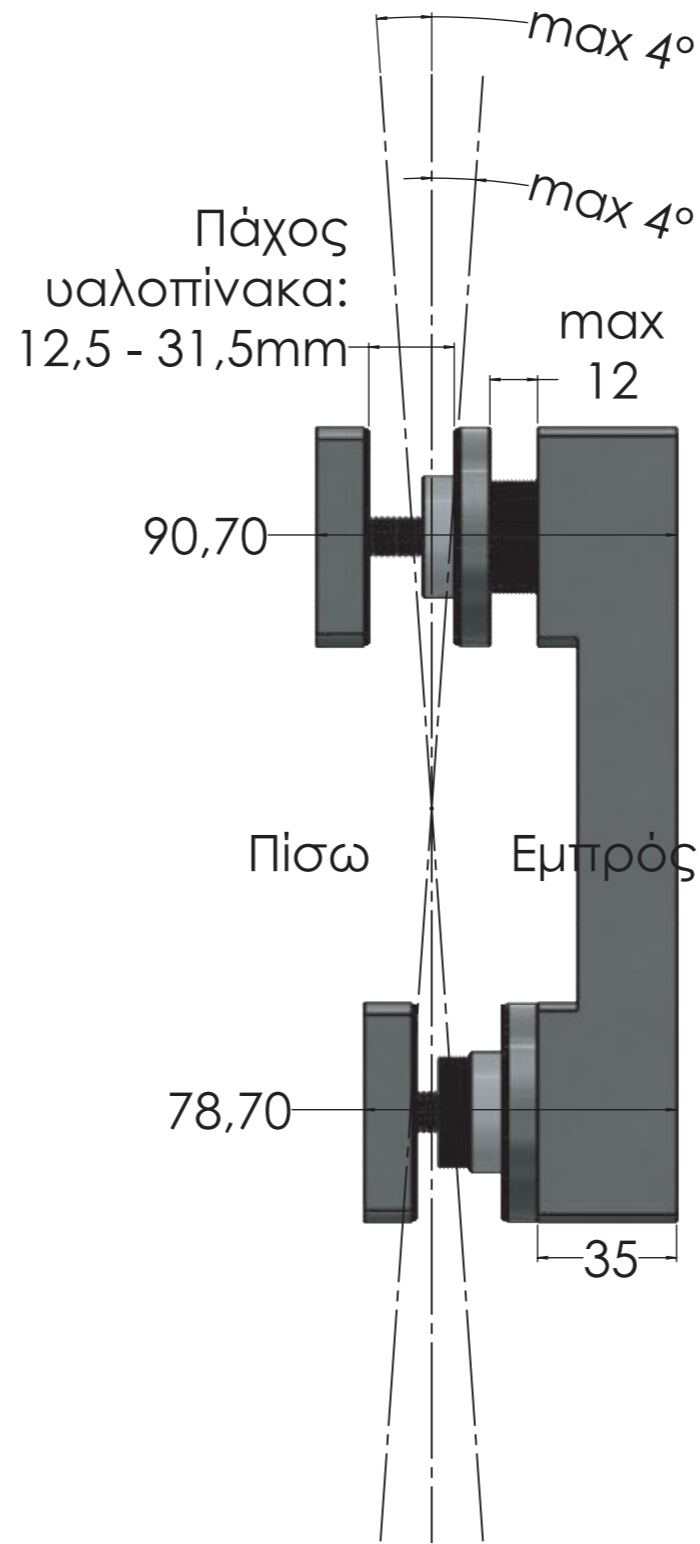
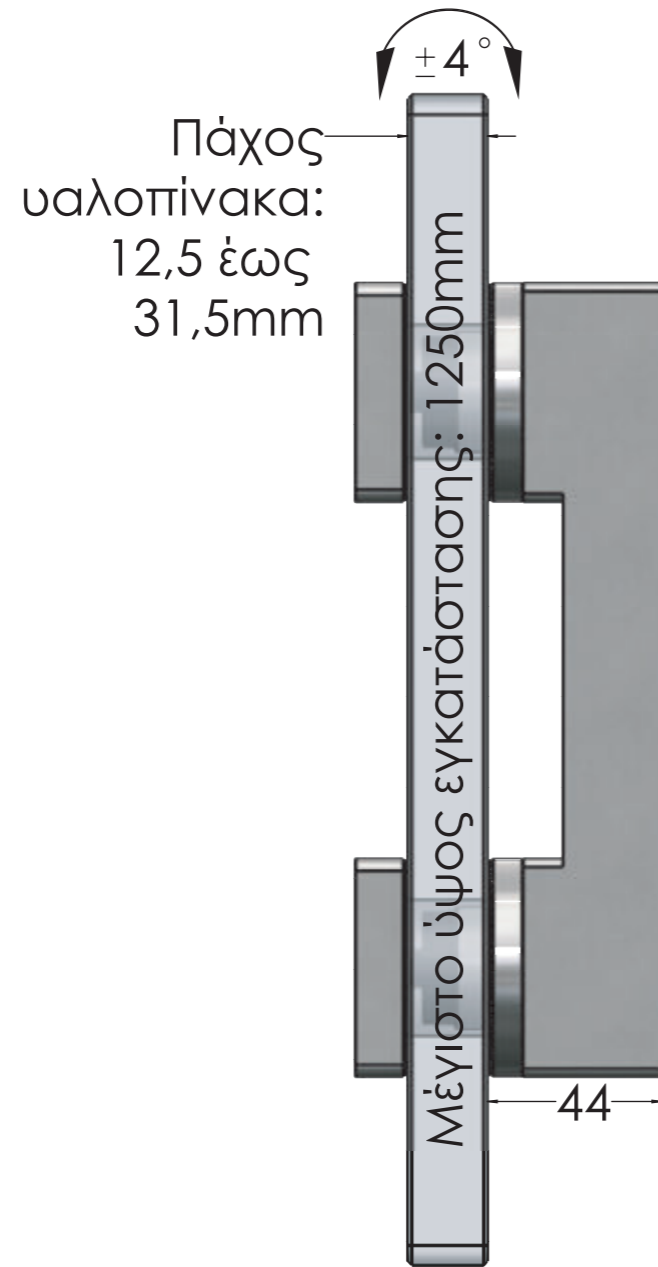
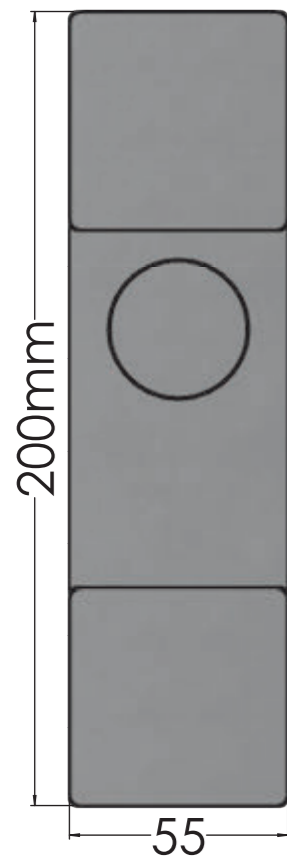
DWG NO. **MS-125**

| | | | |
|--|-----------------|----------------------|-----------|
| MATERIAL: | | WEIGHT: | |
| REVISION: | DATE: 21/4/2023 | DO NOT SCALE DRAWING | |
| UNLESS OTHERWISE SPECIFIED: DIMENSIONS ARE IN MILLIMETERS | | SHEET 1 OF 1 | |
| TOLERANCES: LINEAR: ANGULAR: | | SCALE:1:2 | A4 |

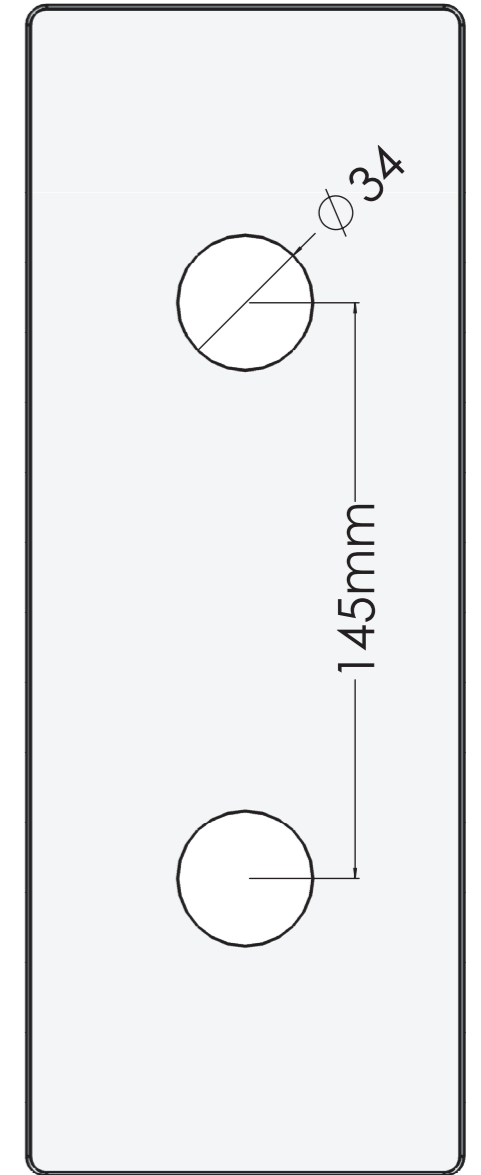
Glass thickness
12 -17,5mm



| | | |
|--|---------------------|----------------------|
|  <p>PANIDIS MAKEDONIKI • ALUMINIUM SYSTEM COMPONENTS</p> | | |
| <p>PANIDIS S.A. PRODUCTION OF ALUMINIUM RAILING SYSTEMS & ACCESSORIES TEL:+30 2310 780352-784 519, FAX: +30 2310 783764 www.panidis-sa.com e-mail: info@panidis-sa.com</p> | | |
| <p>DWG NO. MS-125-B</p> | | |
| MATERIAL: | WEIGHT: | |
| REVISION: | DATE: 22/6/2023 | DO NOT SCALE DRAWING |
| UNLESS OTHERWISE SPECIFIED: DIMENSIONS ARE IN MILLIMETERS | | SHEET 1 OF 2 |
| TOLERANCES: | LINEAR: ANGULAR: | SCALE:1:2 |
| | | A4 |



Μέγιστο ύψος εγκατάστασης: 1100mm



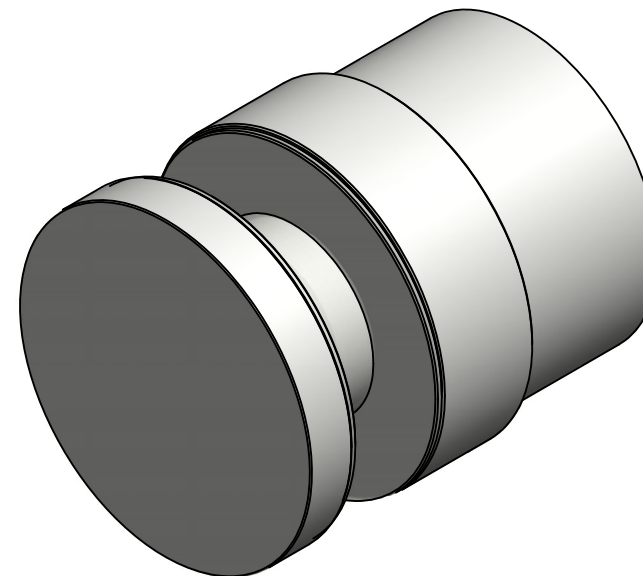
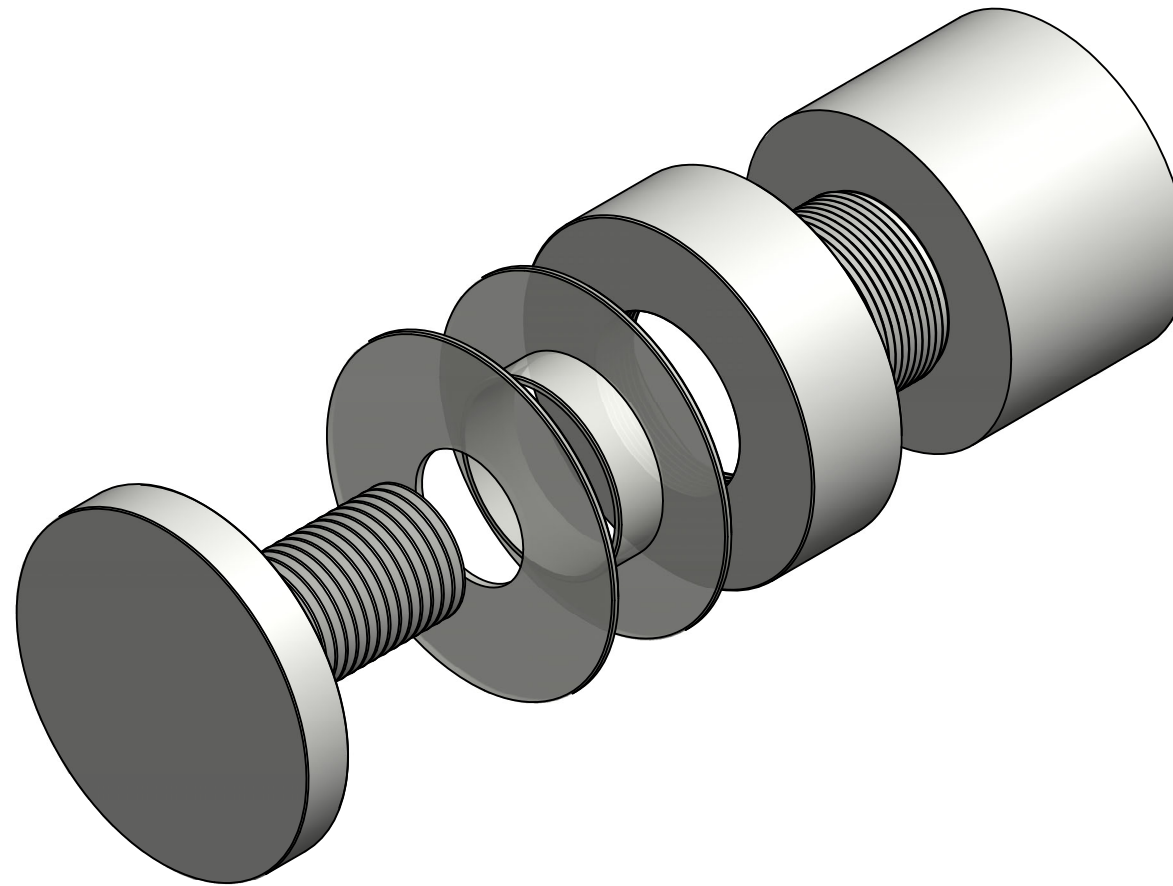
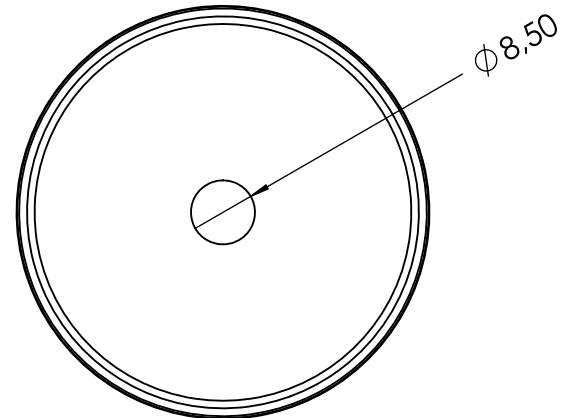
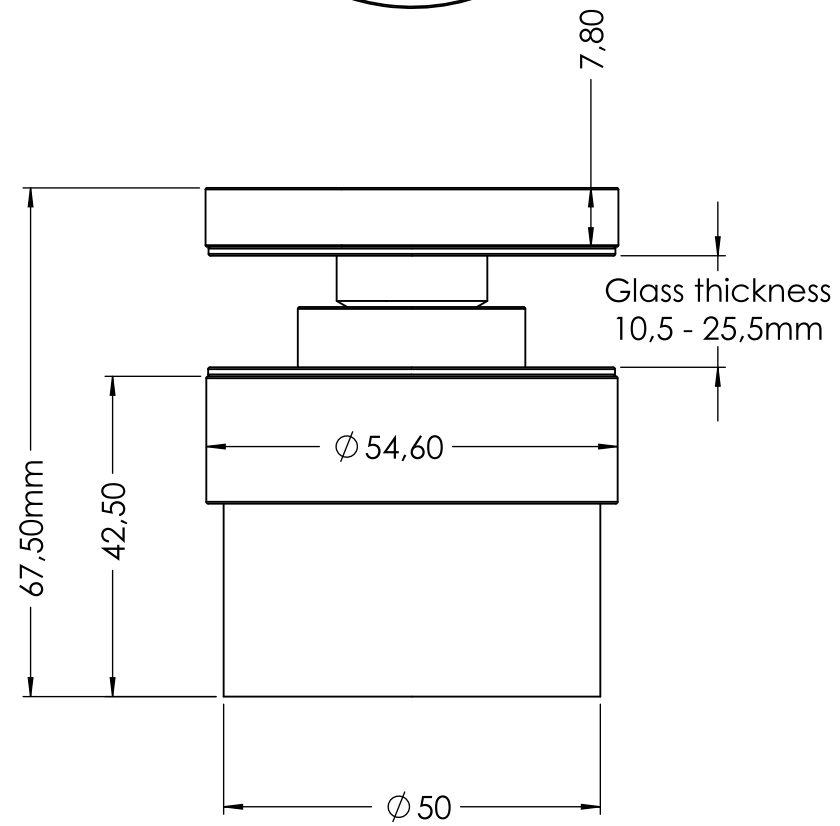
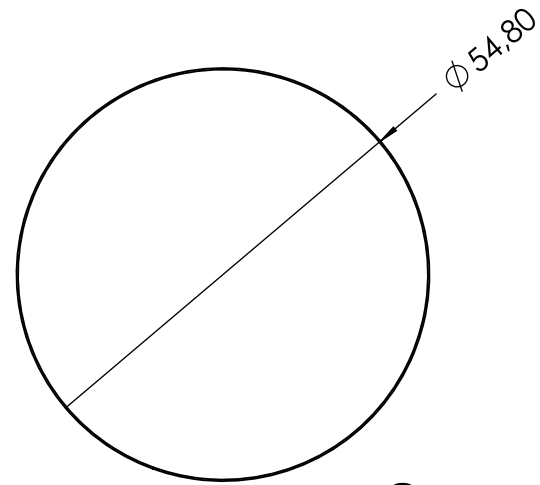
PANIDIS P
MAKEDONIKI - ALUMINIUM SYSTEM COMPONENTS

PANIDIS S.A.
PRODUCTION OF ALUMINIUM RAILING SYSTEMS & ACCESSORIES
TEL: +30 2310 780352-784 519, FAX: +30 2310 783764
www.panidis-sa.com e-mail: info@panidis-sa.com

DWG NO.

MS-124 Promotion

| | | | |
|--|----------------|--------------|----------------------|
| MATERIAL: | DATE: 1/3/2023 | WEIGHT: | DO NOT SCALE DRAWING |
| UNLESS OTHERWISE SPECIFIED: DIMENSIONS ARE IN MILLIMETERS | | SHEET 1 OF 2 | |
| TOLERANCES: | LINEAR: | SCALE: 1:1 | ANGULAR: |



PANIDIS 
 MAKEDONIKI • ALUMINIUM SYSTEM COMPONENTS

PANIDIS S.A
 PRODUCTION OF ALUMINIUM RAILING SYSTEMS & ACCESSORIES
 TEL: +30 2310 780352-784 519, FAX: +30 2310 783764
 www.panidis-sa.com e-mail: info@panidis-sa.com

DWG NO.

MS-123

MATERIAL:

WEIGHT:

REVISION:

DATE: 16/2/2021

DO NOT SCALE DRAWING

UNLESS OTHERWISE SPECIFIED:
 DIMENSIONS ARE IN MILLIMETERS

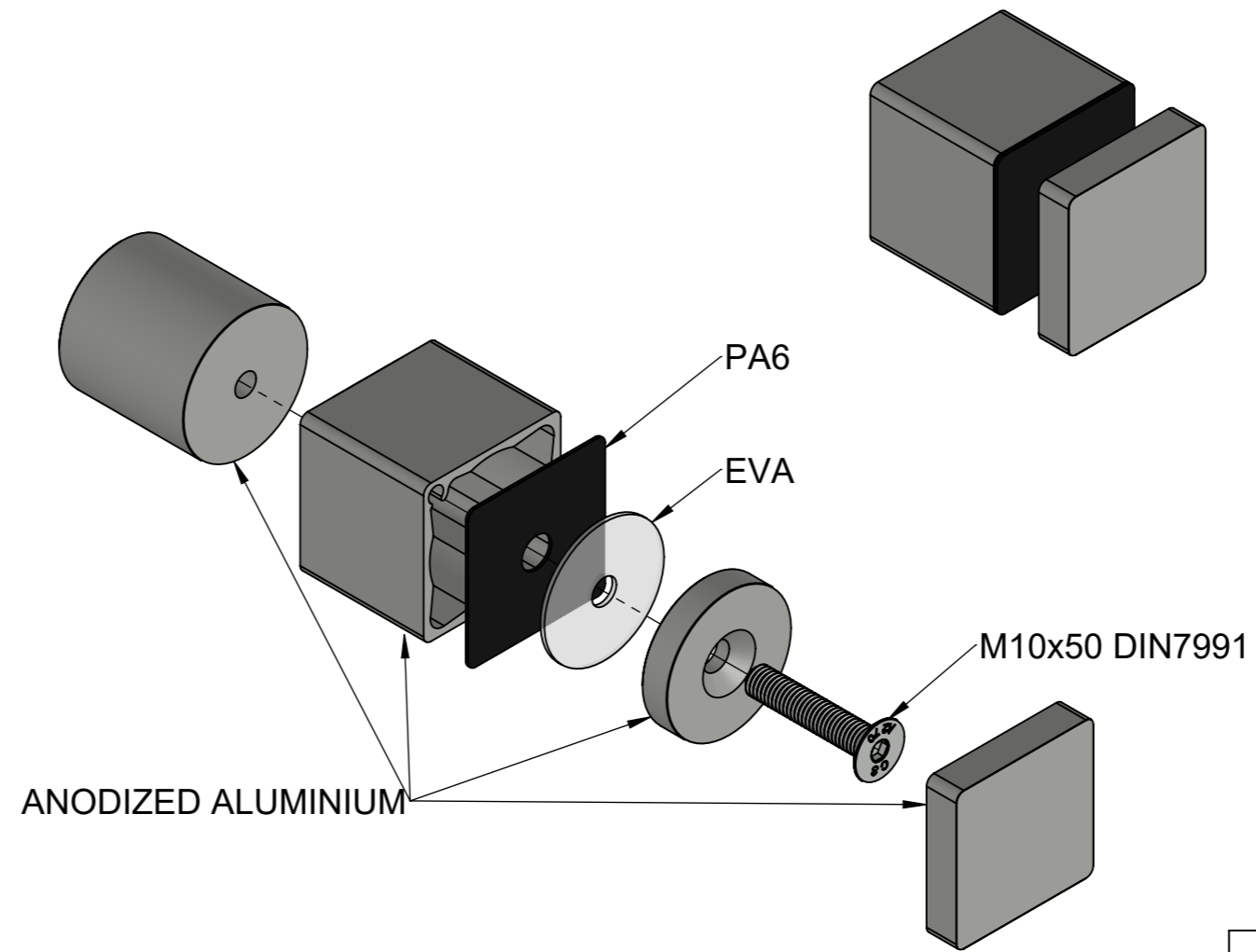
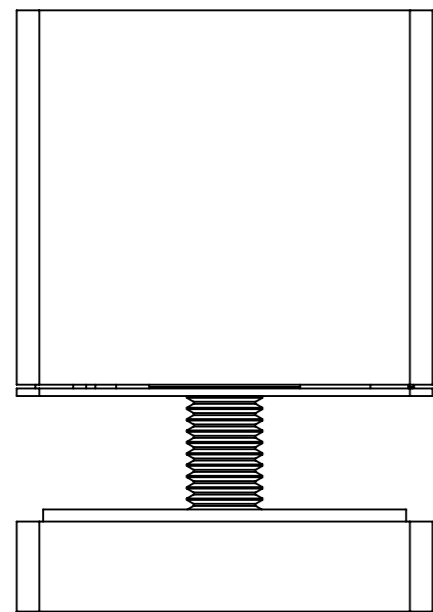
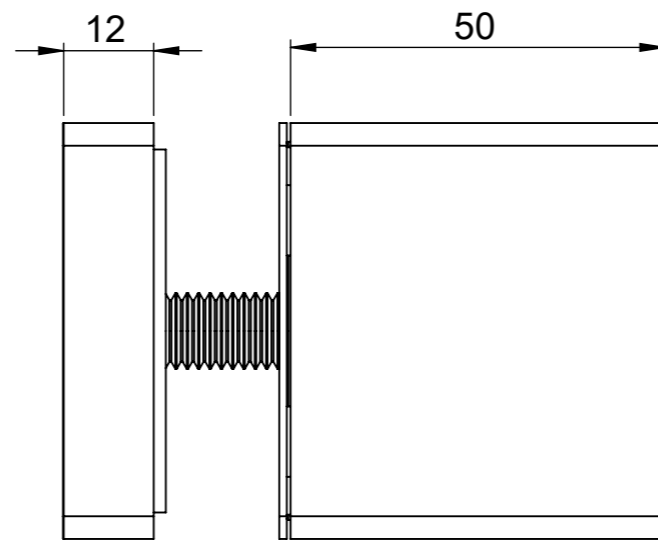
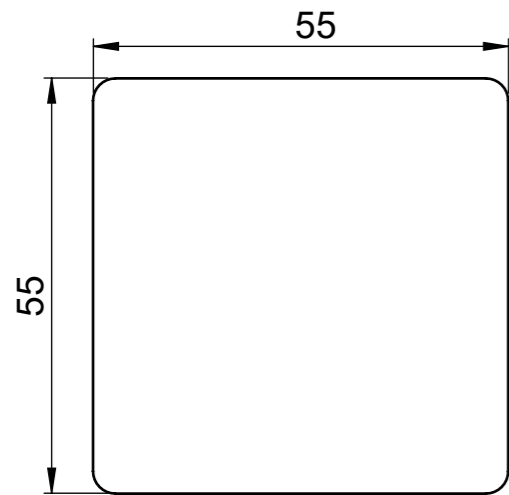
SHEET 1 OF 1

TOLERANCES:

LINEAR:
 ANGULAR:

SCALE: 1:1

A3



PANIDIS 
 MAKEDONIKI • ALUMINIUM SYSTEM COMPONENTS

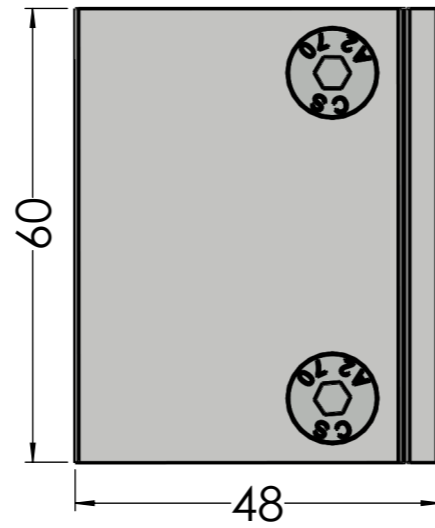
PANIDIS S.A
 PRODUCTION OF ALUMINIUM RAILING SYSTEMS & ACCESSORIES
 TEL: +30 2310 780352-784 519, FAX: +30 2310 783764
 www.panidis-sa.com e-mail: info@panidis-sa.com

DWG NO.

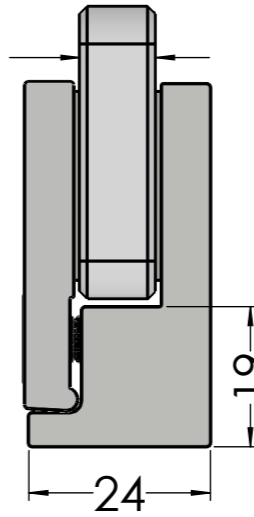
MS-120S

| | |
|--|----------------------------|
| MATERIAL: | WEIGHT: |
| REVISION: | DATE: |
| UNLESS OTHERWISE SPECIFIED: DIMENSIONS ARE IN MILLIMETERS | DO NOT SCALE DRAWING |
| TOLERANCES: LINEAR: ANGULAR: | SHEET 1 OF 1 SCALE: 1:1 |

A3



Πάχος
υαλοπίνακα:
8-10mm



PANIDIS 
MAKEDONIKI • ALUMINIUM SYSTEM COMPONENTS

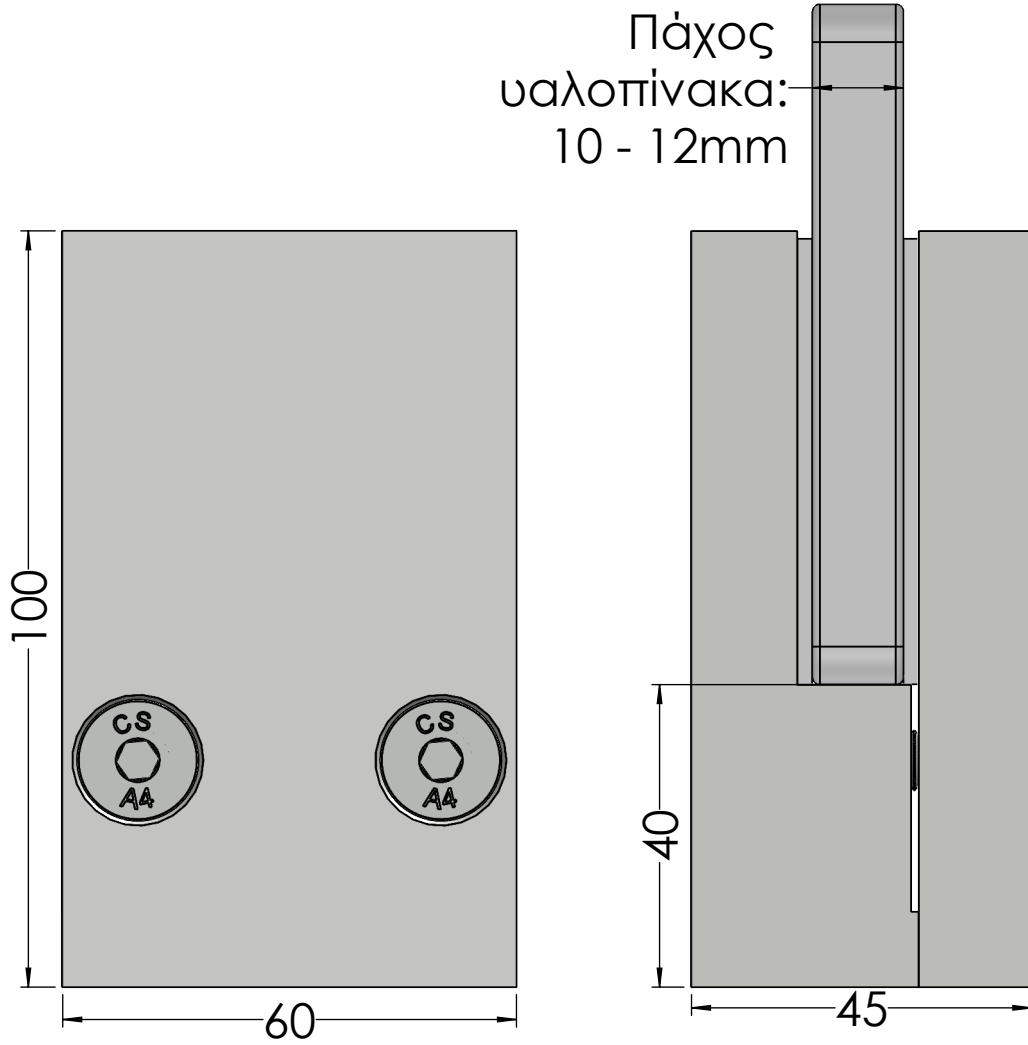
PANIDIS S.A
 PRODUCTION OF ALUMINIUM RAILING SYSTEMS & ACCESSORIES
 TEL: +30 2310 780352-784 519, FAX: +30 2310 783764
 www.panidis-sa.com e-mail: info@panidis-sa.com

DWG NO.

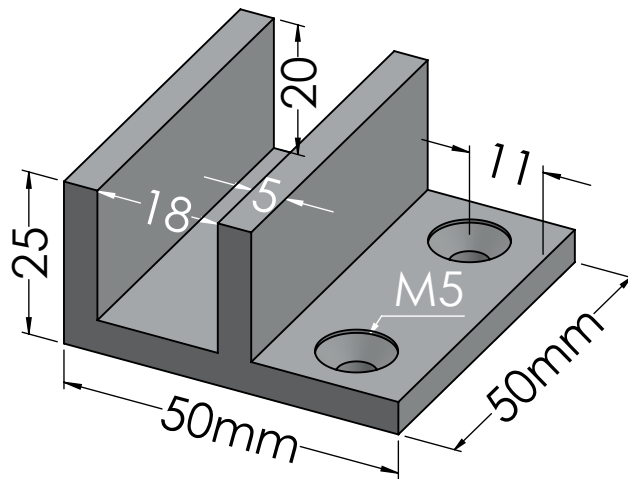
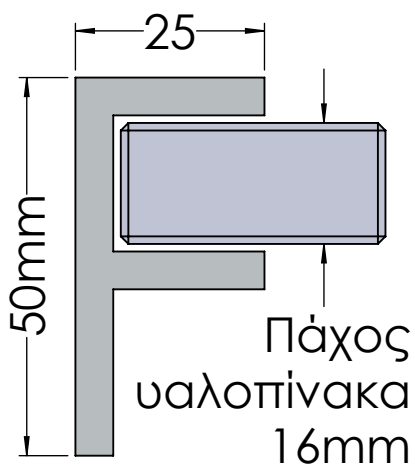
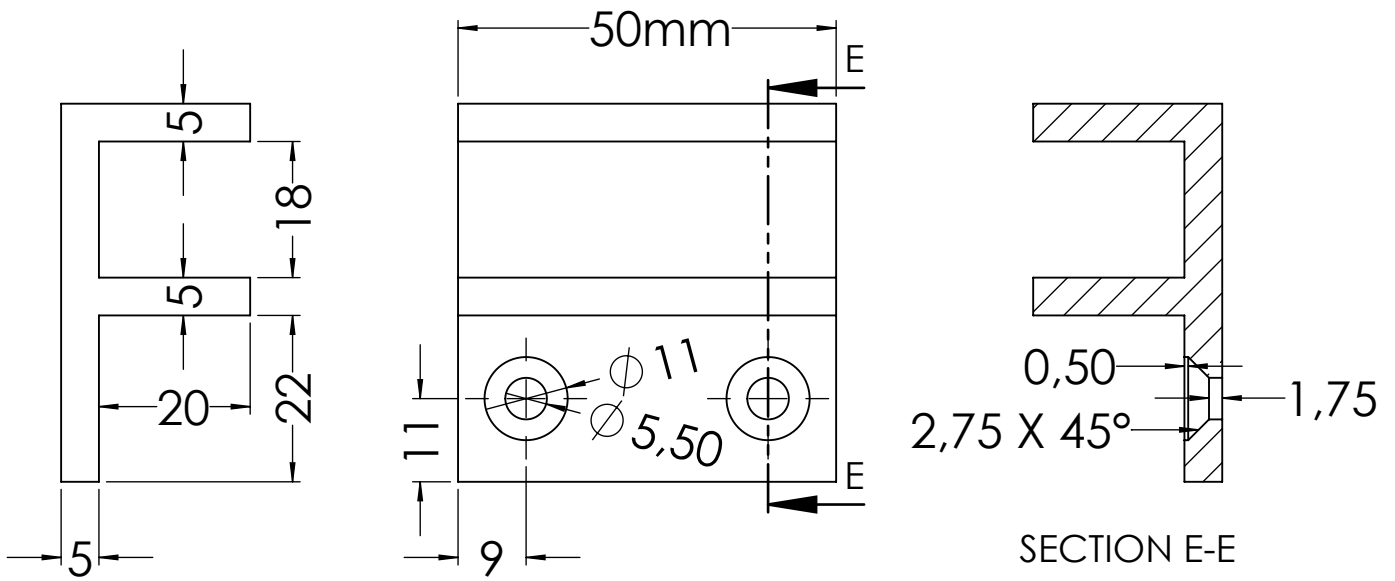
1015-L-2 Promotion


| | |
|--|----------------------|
| MATERIAL: | WEIGHT: |
| REVISION: | DATE: 23/5/2023 |
| UNLESS OTHERWISE SPECIFIED: DIMENSIONS ARE IN MILLIMETERS | DO NOT SCALE DRAWING |
| TOLERANCES: | LINEAR: ANGULAR: |
| | SHEET 1 OF 1 |
| | SCALE: 1:1 |

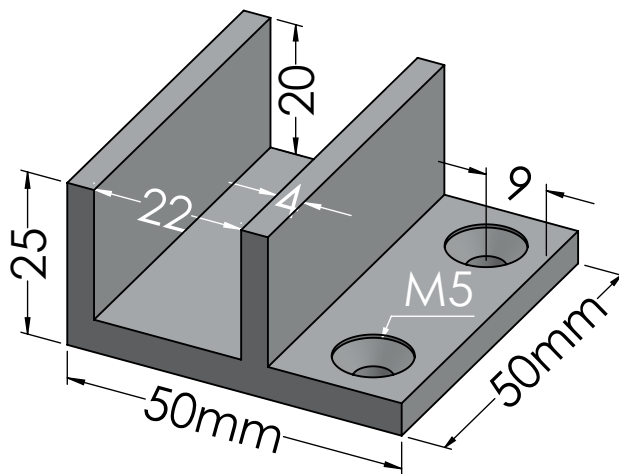
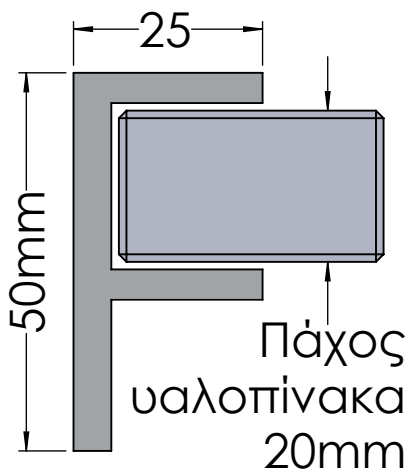
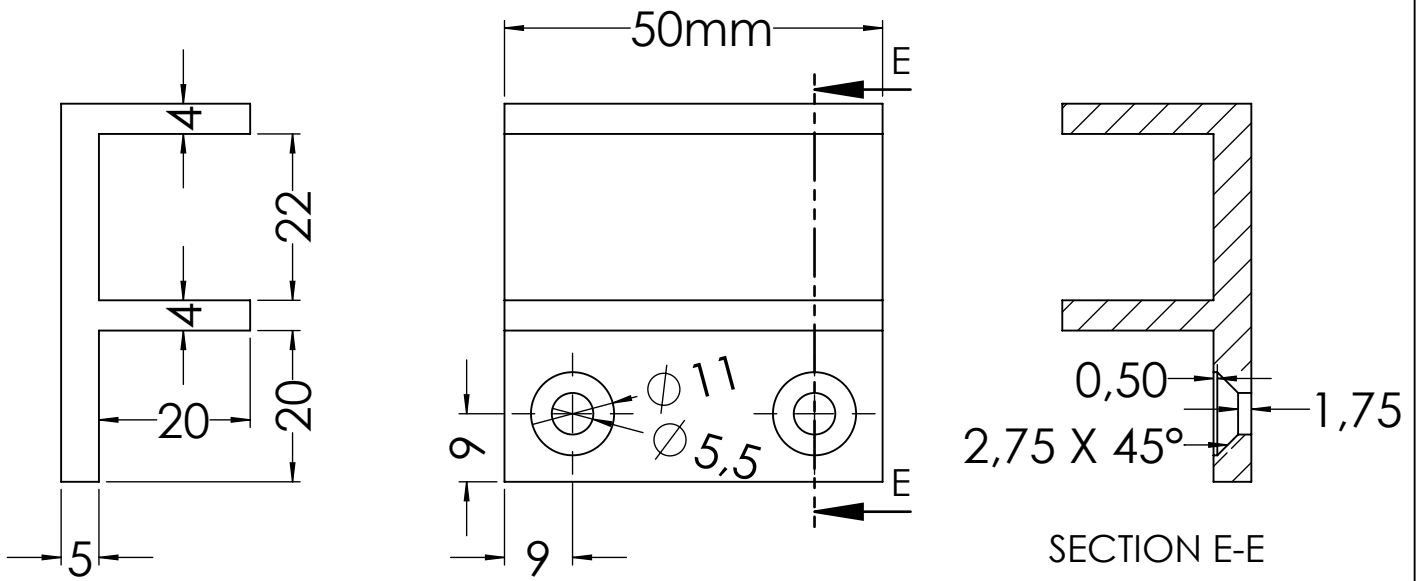
A3




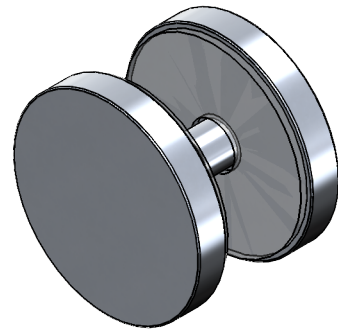
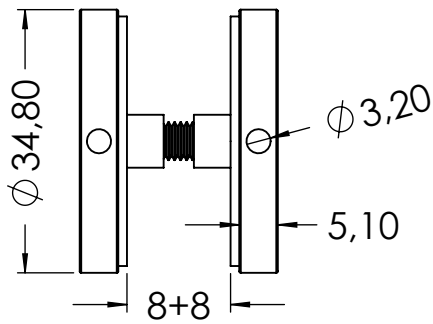
| | |
|--|-----------------|
| <p>PANIDIS MAKEDONIKI • ALUMINIUM SYSTEM COMPONENTS</p> | |
| <p>PANIDIS S.A. PRODUCTION OF ALUMINIUM RAILING SYSTEMS & ACCESSORIES TEL:+30 2310 780352-784 519, FAX: +30 2310 783764 www.panidis-sa.com e-mail: info@panidis-sa.com</p> | |
| <p>DWG NO. MS-127</p> | |
| MATERIAL: | WEIGHT: |
| REVISION: | DATE: 24/5/2023 |
| DO NOT SCALE DRAWING | |
| UNLESS OTHERWISE SPECIFIED: DIMENSIONS ARE IN MILLIMETERS | |
| SHEET 1 OF 1 | |
| TOLERANCES: | SCALE: 1:2 |
| LINEAR: | A4 |
| ANGULAR: | |



| | | |
|--|---------------------|----------------------|
| <h1>PANIDIS</h1> <p>MAKEDONIKI • ALUMINIUM SYSTEM COMPONENTS</p>  | | |
| <p>PANIDIS S.A. PRODUCTION OF ALUMINIUM RAILING SYSTEMS & ACCESSORIES TEL:+30 2310 780352-784 519, FAX: +30 2310 783764 www.panidis-sa.com e-mail: info@panidis-sa.com</p> | | |
| DWG NO. | | |
| <h2>GFH-50</h2> | | |
| MATERIAL: ANODIZED ALUMINIUM | | WEIGHT: |
| REVISION: | DATE: 11/5/2021 | DO NOT SCALE DRAWING |
| UNLESS OTHERWISE SPECIFIED: DIMENSIONS ARE IN MILLIMETERS | | SHEET 1 OF 3 |
| TOLERANCES: | LINEAR: ANGULAR: | SCALE:1:1 |
| | | A4 |



| | | |
|--|--------------------------------------|-----------------------------|
| <h1>PANIDIS</h1> <p>MAKEDONIKI • ALUMINIUM SYSTEM COMPONENTS</p>  | | |
| <p>PANIDIS S.A. PRODUCTION OF ALUMINIUM RAILING SYSTEMS & ACCESSORIES TEL:+30 2310 780352-784 519, FAX: +30 2310 783764 www.panidis-sa.com e-mail: info@panidis-sa.com</p> | | |
| <p>DWG NO. GFH-51</p> | | |
| <p>MATERIAL: ANODIZED ALUMINIUM</p> | | <p>WEIGHT:</p> |
| <p>REVISION:</p> | <p>DATE: 11/5/2021</p> | <p>DO NOT SCALE DRAWING</p> |
| <p>UNLESS OTHERWISE SPECIFIED: DIMENSIONS ARE IN MILLIMETERS</p> | | <p>SHEET 1 OF 3</p> |
| <p>TOLERANCES:</p> | <p>LINEAR: ANGULAR:</p> | <p>SCALE:1:1</p> |
| | | A4 |



PANIDIS 
 MAKEDONIKI • ALUMINIUM SYSTEM COMPONENTS

PANIDIS S.A.
 PRODUCTION OF ALUMINIUM RAILING SYSTEMS & ACCESSORIES
 TEL:+30 2310 780352-784 519, FAX: +30 2310 783764
 www.panidis-sa.com e-mail: info@panidis-sa.com

DWG NO.

MS-1000-D35

MATERIAL:

WEIGHT:

REVISION:

DATE: 24/2/2023

DO NOT SCALE DRAWING

UNLESS OTHERWISE SPECIFIED:
 DIMENSIONS ARE IN MILLIMETERS

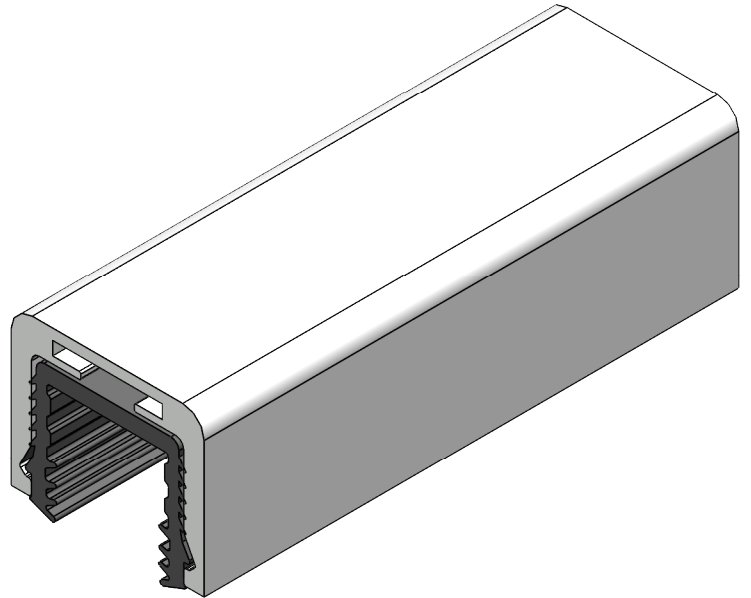
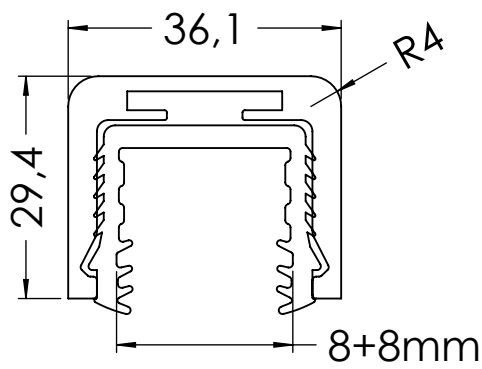
SHEET 1 OF 1

TOLERANCES:

LINEAR:
 ANGULAR:

SCALE:1:1

A4

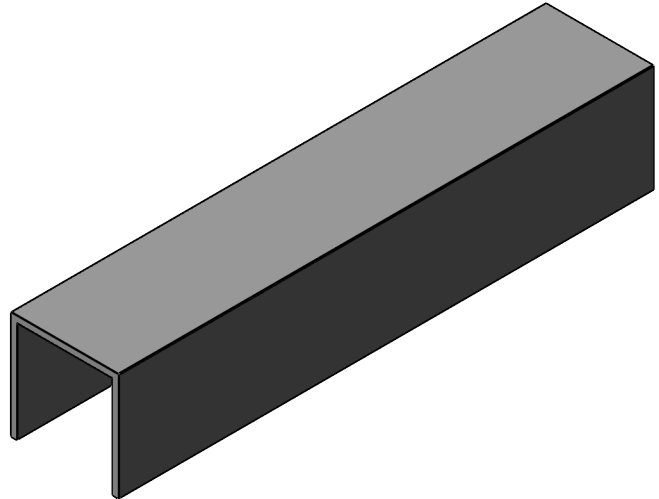
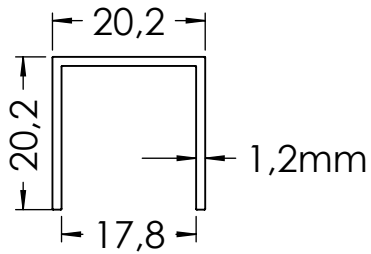


PANIDIS 
 MAKEDONIKI • ALUMINIUM SYSTEM COMPONENTS

PANIDIS S.A.
 PRODUCTION OF ALUMINIUM RAILING SYSTEMS & ACCESSORIES
 TEL:+30 2310 780352-784 519, FAX: +30 2310 783764
 www.panidis-sa.com e-mail: info@panidis-sa.com

DWG NO. **MS-1100**

| | | | |
|--|---------------------|----------------------|----|
| MATERIAL: | | WEIGHT: | |
| REVISION: | DATE: 5/9/2023 | DO NOT SCALE DRAWING | |
| UNLESS OTHERWISE SPECIFIED: DIMENSIONS ARE IN MILLIMETERS | | SHEET 1 OF 1 | A4 |
| TOLERANCES: | LINEAR: ANGULAR: | SCALE:1:1 | |

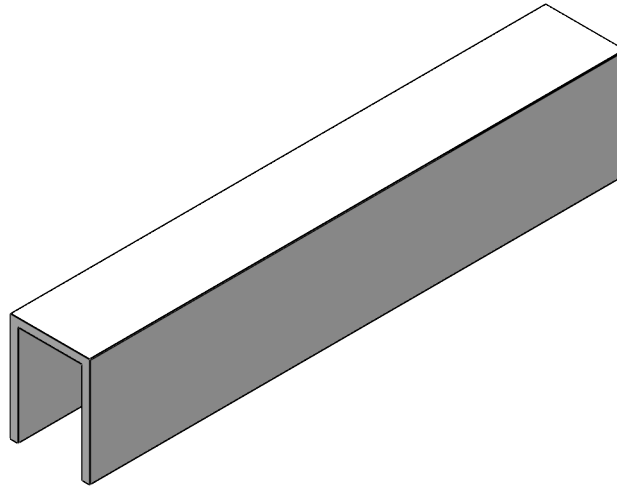
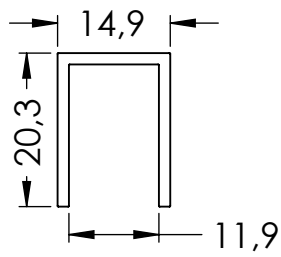


PANIDIS 
 MAKEDONIKI • ALUMINIUM SYSTEM COMPONENTS

PANIDIS S.A.
 PRODUCTION OF ALUMINIUM RAILING SYSTEMS & ACCESSORIES
 TEL:+30 2310 780352-784 519, FAX: +30 2310 783764
 www.panidis-sa.com e-mail: info@panidis-sa.com

DWG NO. **300-GHR-2019**

| | | |
|--|---------------------|----------------------|
| MATERIAL: | WEIGHT: | |
| REVISION: | DATE: 27/4/2023 | DO NOT SCALE DRAWING |
| UNLESS OTHERWISE SPECIFIED: DIMENSIONS ARE IN MILLIMETERS | | SHEET 1 OF 1 |
| TOLERANCES: | LINEAR: ANGULAR: | SCALE:1:1 |
| | | A4 |



PANIDIS 
 MAKEDONIKI • ALUMINIUM SYSTEM COMPONENTS

PANIDIS S.A.
 PRODUCTION OF ALUMINIUM RAILING SYSTEMS & ACCESSORIES
 TEL:+30 2310 780352-784 519, FAX: +30 2310 783764
 www.panidis-sa.com e-mail: info@panidis-sa.com

DWG NO. **300-GHR-2015**

| | | |
|--|---------------------|----------------------|
| MATERIAL: | WEIGHT: | |
| REVISION: | DATE: 23/5/2023 | DO NOT SCALE DRAWING |
| UNLESS OTHERWISE SPECIFIED: DIMENSIONS ARE IN MILLIMETERS | | SHEET 1 OF 1 |
| TOLERANCES: | LINEAR: ANGULAR: | SCALE:1:1 |
| | | A4 |