

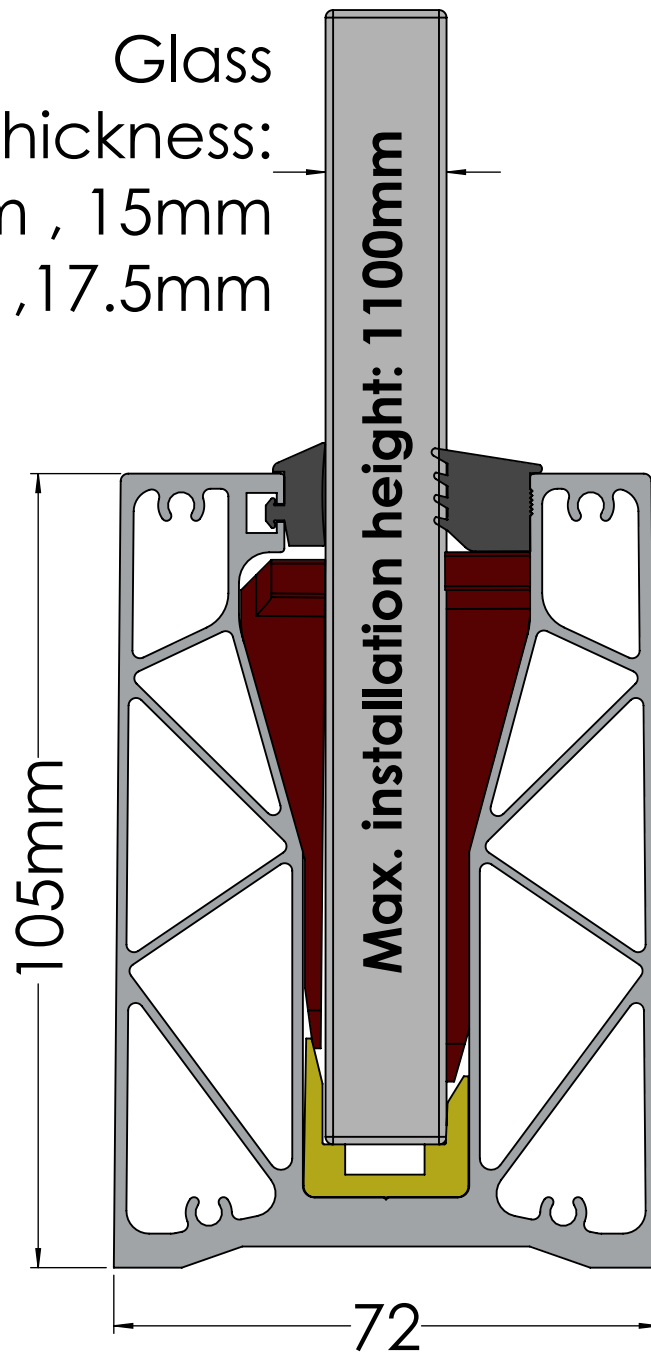
PANIDIS 
 MAKEDONIKI • ALUMINIUM SYSTEM COMPONENTS

PANIDIS S.A.
 PRODUCTION OF ALUMINIUM RAILING SYSTEMS & ACCESSORIES
 TEL:+30 2310 780352-784 519, FAX: +30 2310 783764
 www.panidis-sa.com e-mail: info@panidis-sa.com

DWG NO. **MS-1500**

MATERIAL:		WEIGHT:	
REVISION:	DATE: 27/9/2021	DO NOT SCALE DRAWING	
UNLESS OTHERWISE SPECIFIED: DIMENSIONS ARE IN MILLIMETERS		SHEET 2 OF 4	
TOLERANCES:	LINEAR: ANGULAR:	SCALE:1:1	A4

Glass
thickness:
13mm , 15mm
16mm , 17.5mm



PANIDIS 
MAKEDONIKI • ALUMINIUM SYSTEM COMPONENTS

PANIDIS S.A.
PRODUCTION OF ALUMINIUM RAILING SYSTEMS & ACCESSORIES
TEL:+30 2310 780352-784 519, FAX: +30 2310 783764
www.panidis-sa.com e-mail: info@panidis-sa.com

DWG NO.

MS-1000

MATERIAL:

WEIGHT:

REVISION:

DATE: 27/4/2021

DO NOT SCALE DRAWING

UNLESS OTHERWISE SPECIFIED:
DIMENSIONS ARE IN MILLIMETERS

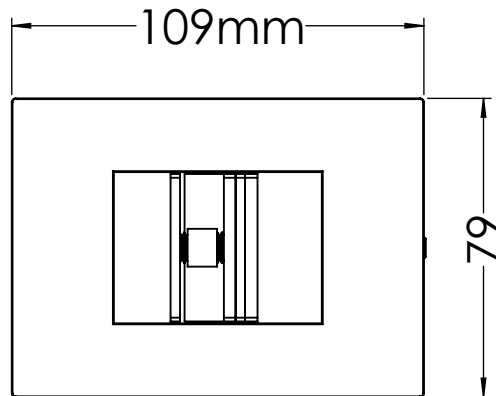
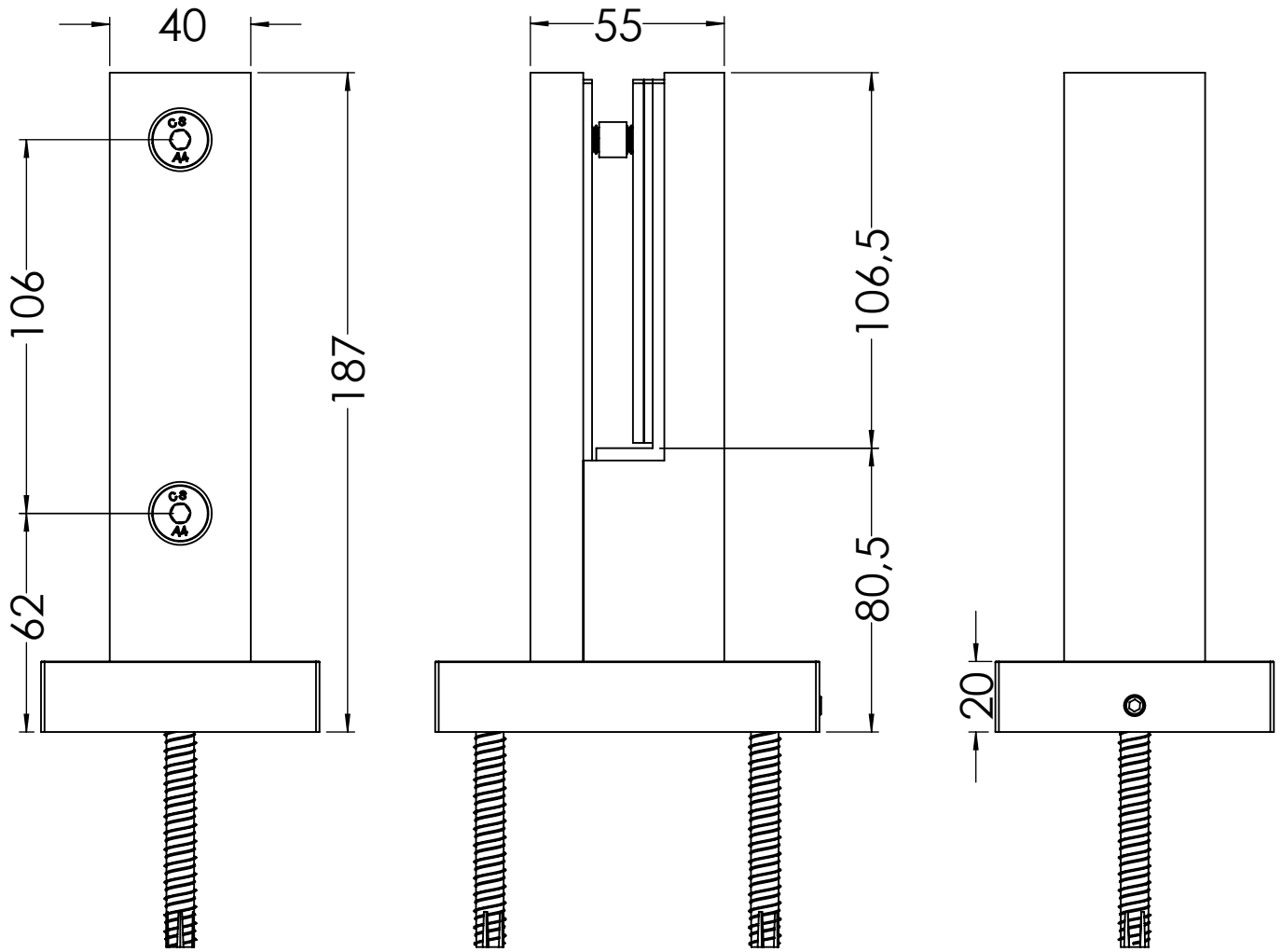
SHEET 2 OF 2

TOLERANCES:

LINEAR:
ANGULAR:

SCALE:1:1

A4



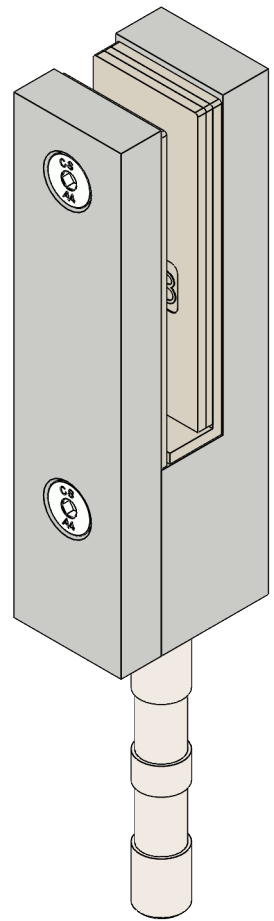
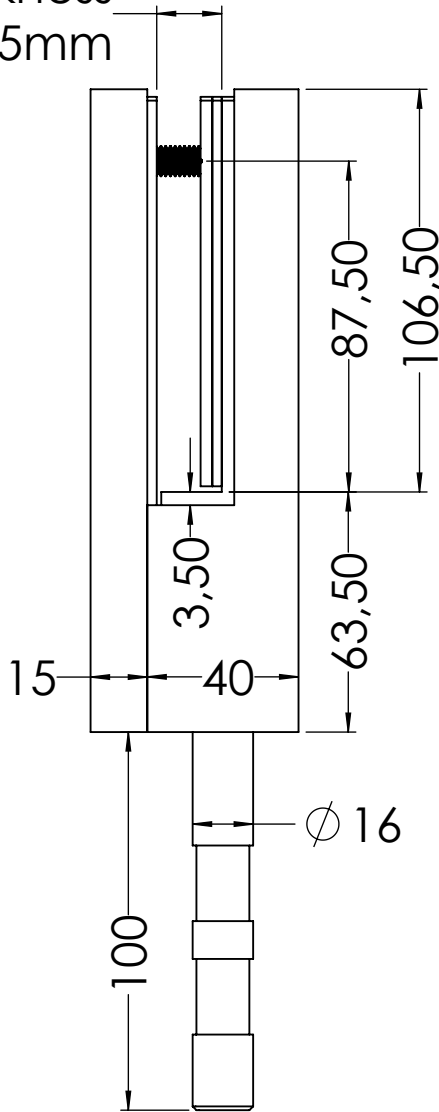
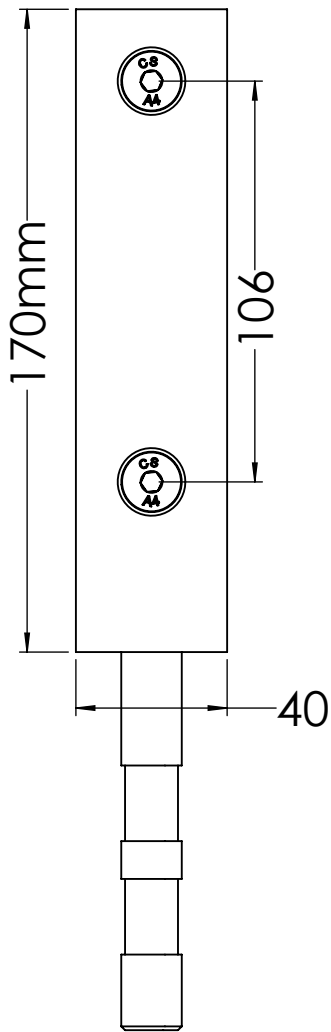
PANIDIS 
 MAKEDONIKI • ALUMINIUM SYSTEM COMPONENTS

PANIDIS S.A.
 PRODUCTION OF ALUMINIUM RAILING SYSTEMS & ACCESSORIES
 TEL:+30 2310 780352-784 519, FAX: +30 2310 783764
 www.panidis-sa.com e-mail: info@panidis-sa.com

DWG NO. **MS-125**

MATERIAL:		WEIGHT:	
REVISION:	DATE: 21/4/2023	DO NOT SCALE DRAWING	
UNLESS OTHERWISE SPECIFIED: DIMENSIONS ARE IN MILLIMETERS		SHEET 1 OF 1	
TOLERANCES:	LINEAR: ANGULAR:	SCALE:1:2	A4

Glass thickness
12 -17,5mm



PANIDIS 
MAKEDONIKI • ALUMINIUM SYSTEM COMPONENTS

PANIDIS S.A.
PRODUCTION OF ALUMINIUM RAILING SYSTEMS & ACCESSORIES
TEL:+30 2310 780352-784 519, FAX: +30 2310 783764
www.panidis-sa.com e-mail: info@panidis-sa.com

DWG NO.

MS-125-B

MATERIAL:

WEIGHT:

REVISION:

DATE: 22/6/2023

DO NOT SCALE DRAWING

UNLESS OTHERWISE SPECIFIED:
DIMENSIONS ARE IN MILLIMETERS

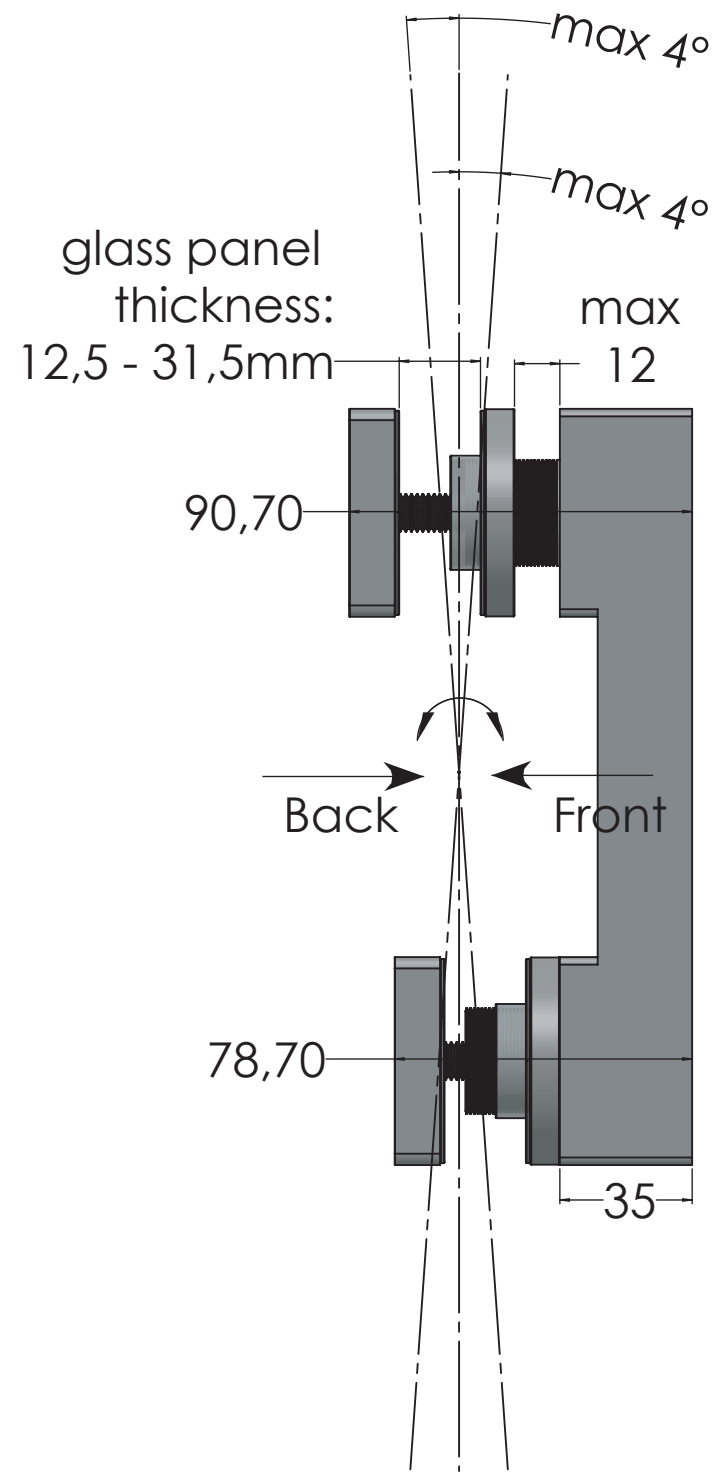
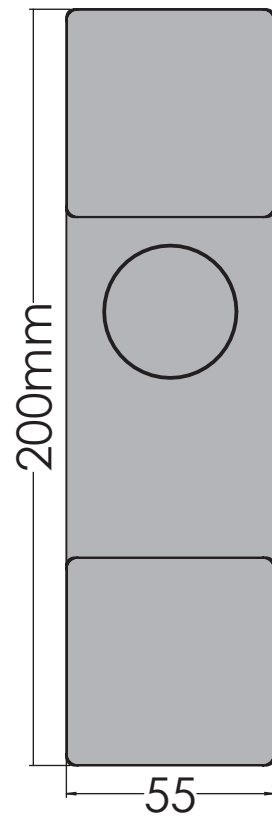
SHEET 1 OF 2

TOLERANCES:

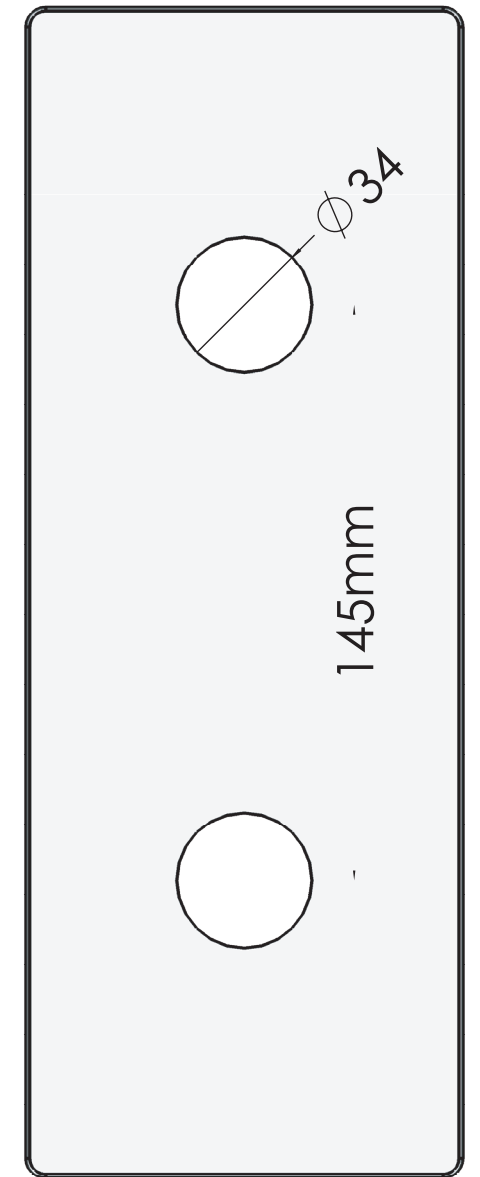
LINEAR:
ANGULAR:

SCALE:1:2

A4



max. installation height: 1250mm



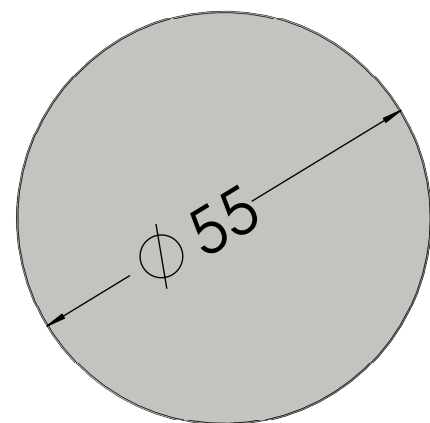
PANIDIS P
MAKEDONSKI - ALUMINIUM SYSTEM COMPONENTS

PANIDIS S.A.
PRODUCTION OF ALUMINIUM RAILING SYSTEMS & ACCESSORIES
TEL: +30 2310 780352-784 519, FAX: +30 2310 783764
www.panidis-sa.com e-mail: info@panidis-sa.com

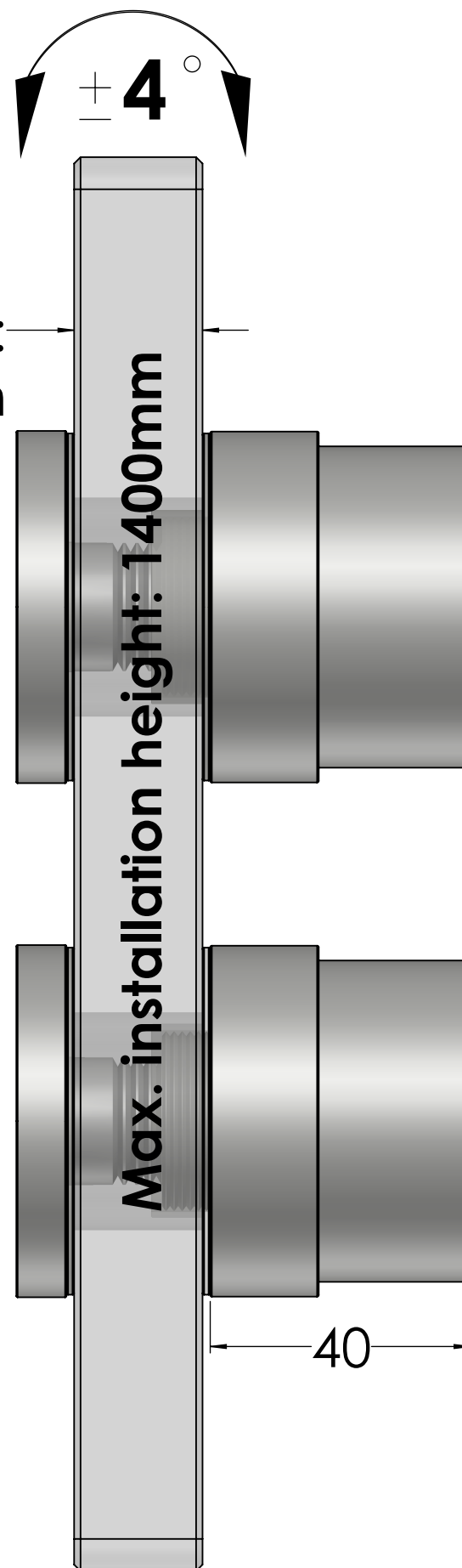
DWG NO.

MS-124 Promotion

MATERIAL:	WEIGHT:
REVISION:	DATE: 1/3/2023
UNLESS OTHERWISE SPECIFIED: DIMENSIONS ARE IN MILLIMETERS	DO NOT SCALE DRAWING
TOLERANCES:	LINEAR: SHEET 1 OF 2
ANGULAR:	SCALE: 1:1



glass panel
thickness:
10mm - 25,5mm



PANIDIS 
MAKEDONIKI • ALUMINIUM SYSTEM COMPONENTS

PANIDIS S.A
PRODUCTION OF ALUMINIUM RAILING SYSTEMS & ACCESSORIES
TEL: +30 2310 780352-784 519, FAX: +30 2310 783764
www.panidis-sa.com e-mail: info@panidis-sa.com

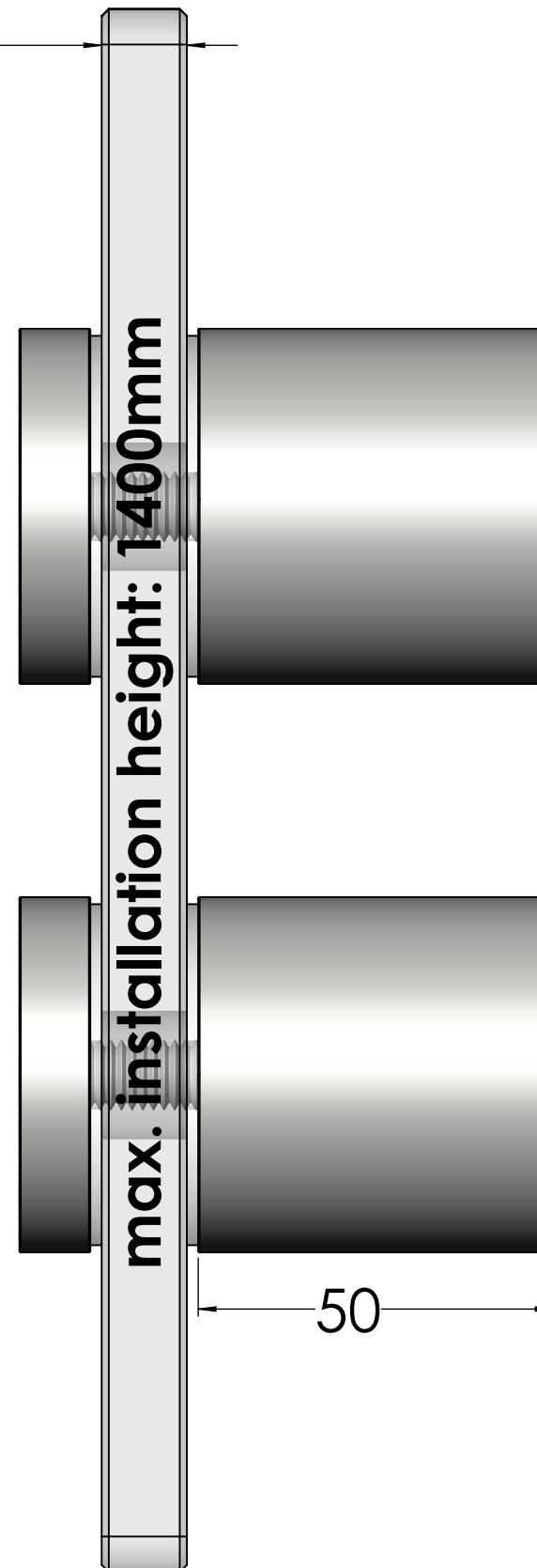
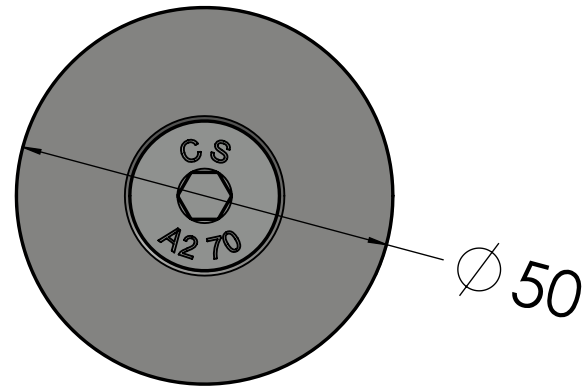
DWG NO.

MS-123 Promotion

MATERIAL:	WEIGHT:
REVISION:	DATE: 27/9/2021
UNLESS OTHERWISE SPECIFIED: DIMENSIONS ARE IN MILLIMETERS	DO NOT SCALE DRAWING
TOLERANCES:	LINEAR: ANGULAR:
	SHEET 2 OF 3
	SCALE: 1:1

A3

glass panel
thickness:
10mm - 17,5mm



PANIDIS 
MAKEDONIKI • ALUMINIUM SYSTEM COMPONENTS

PANIDIS S.A
PRODUCTION OF ALUMINIUM RAILING SYSTEMS & ACCESSORIES
TEL: +30 2310 780352-784 519, FAX: +30 2310 783764
www.panidis-sa.com e-mail: info@panidis-sa.com

DWG NO.

MS-120

MATERIAL:

WEIGHT:

REVISION: DATE: 27/9/2021

DO NOT SCALE DRAWING

UNLESS OTHERWISE SPECIFIED:
DIMENSIONS ARE IN MILLIMETERS

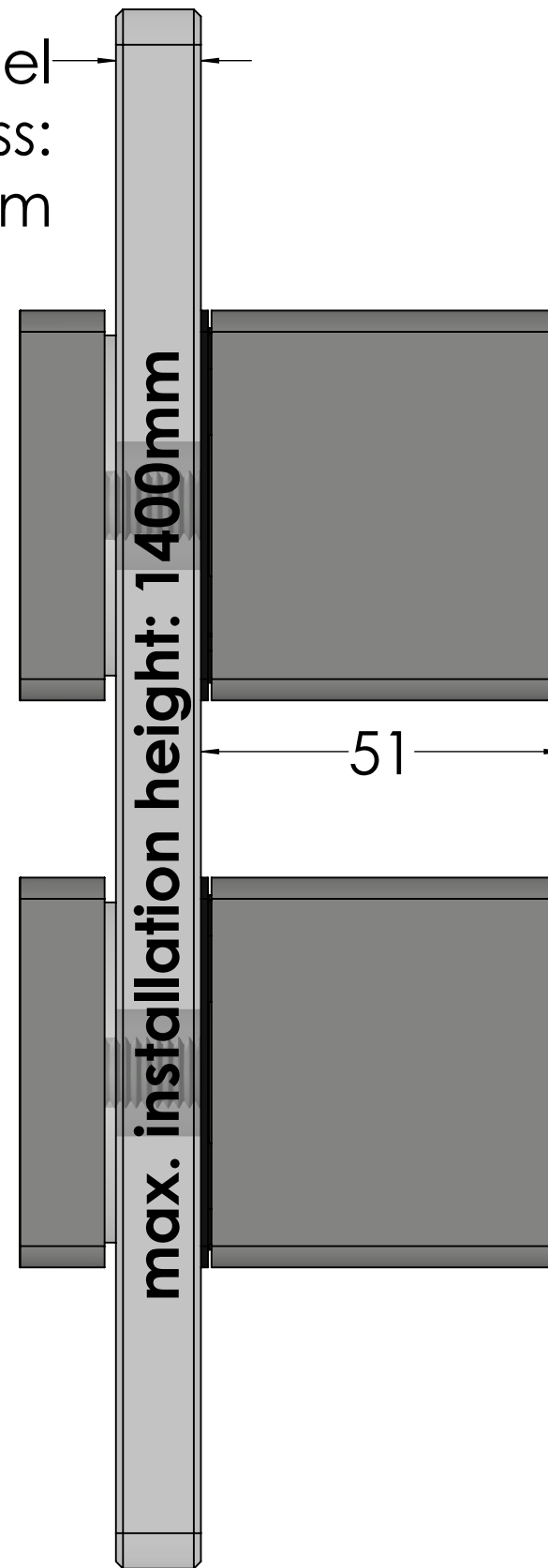
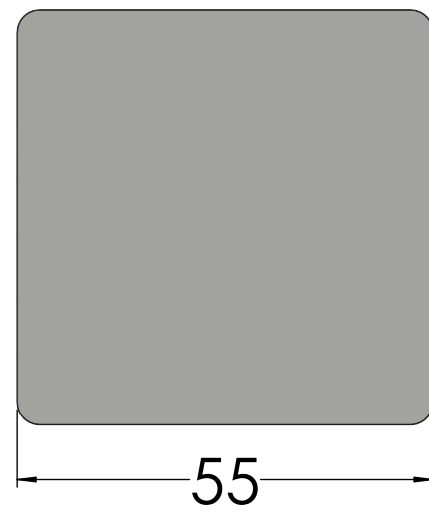
SHEET 2 OF 3

TOLERANCES: LINEAR:
ANGULAR:

SCALE: 1:1

A3

glass panel
thickness:
10mm - 17,5mm



PANIDIS 
MAKEDONIKI • ALUMINIUM SYSTEM COMPONENTS

PANIDIS S.A
PRODUCTION OF ALUMINIUM RAILING SYSTEMS & ACCESSORIES
TEL: +30 2310 780352-784 519, FAX: +30 2310 783764
www.panidis-sa.com e-mail: info@panidis-sa.com

DWG NO.

MS-120-S

MATERIAL:

WEIGHT:

REVISION: DATE: 27/9/2021

DO NOT SCALE DRAWING

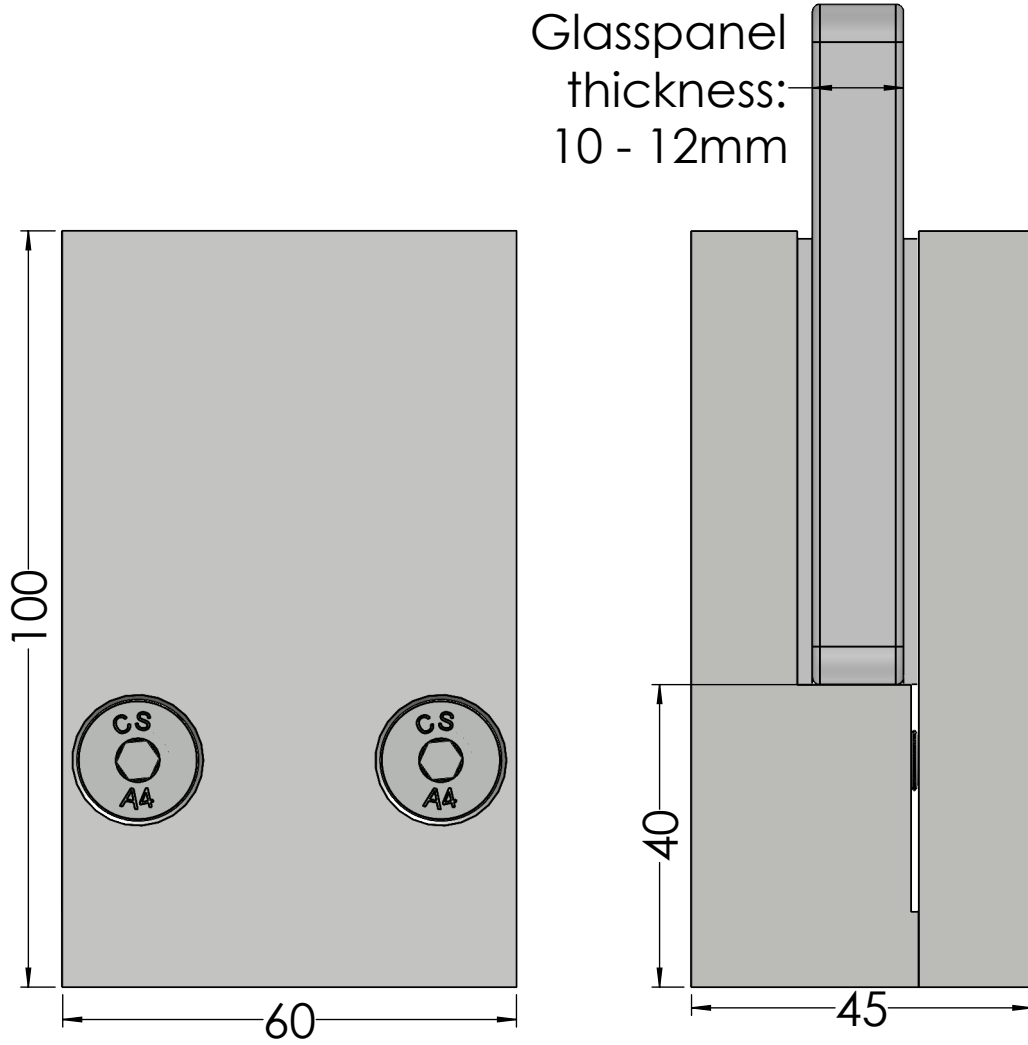
UNLESS OTHERWISE SPECIFIED:
DIMENSIONS ARE IN MILLIMETERS


SHEET 2 OF 2

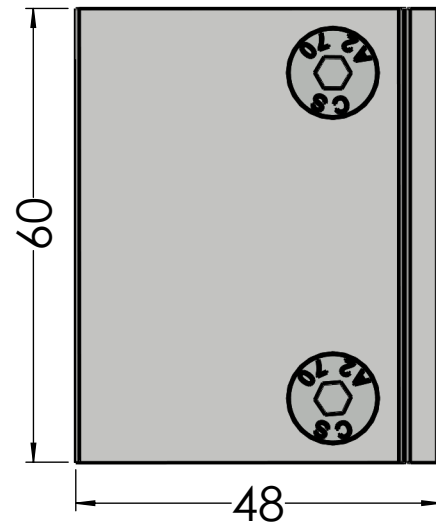
TOLERANCES: LINEAR:
ANGULAR:

SCALE: 1:5

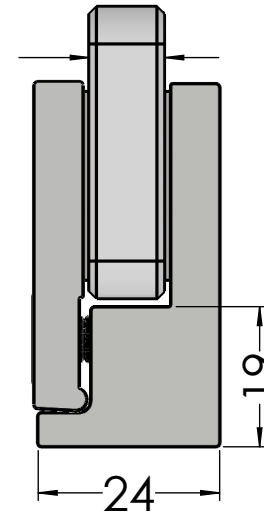
A3



<h1>PANIDIS</h1> <p>MAKEDONIKI • ALUMINIUM SYSTEM COMPONENTS</p> 		
<p>PANIDIS S.A. PRODUCTION OF ALUMINIUM RAILING SYSTEMS & ACCESSORIES TEL:+30 2310 780352-784 519, FAX: +30 2310 783764 www.panidis-sa.com e-mail: info@panidis-sa.com</p>		
DWG NO.		MS-127
MATERIAL:	WEIGHT:	
REVISION:	DATE: 24/5/2023	DO NOT SCALE DRAWING
UNLESS OTHERWISE SPECIFIED: DIMENSIONS ARE IN MILLIMETERS		SHEET 1 OF 1
TOLERANCES:	LINEAR: ANGULAR:	SCALE:1:2



Glasspanel
thickness:
8-10mm



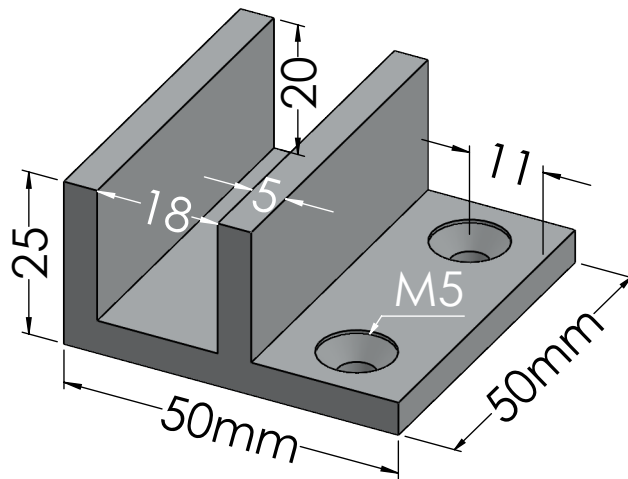
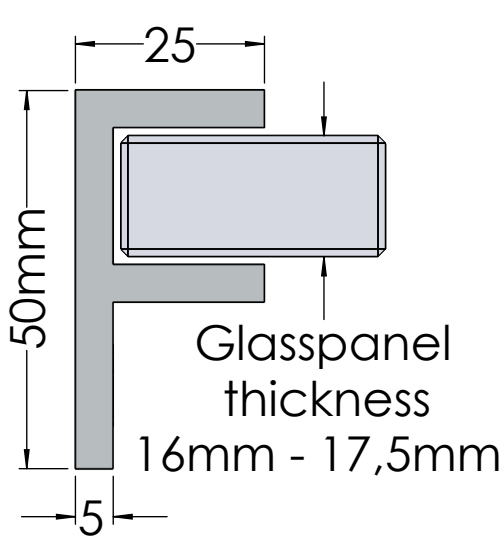
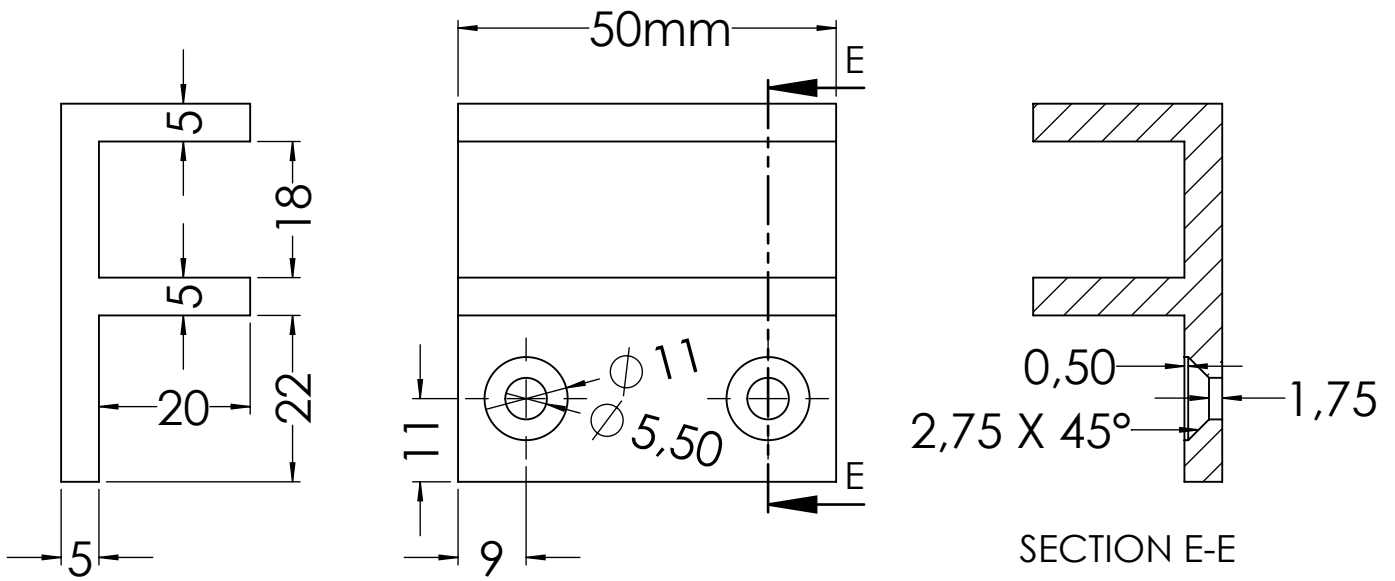
PANIDIS S.A
PRODUCTION OF ALUMINIUM RAILING SYSTEMS & ACCESSORIES
TEL: +30 2310 780352-784 519, FAX: +30 2310 783764
www.panidis-sa.com e-mail: info@panidis-sa.com

DWG NO.

1015-L

MATERIAL:	WEIGHT:
REVISION:	DATE: 23/5/2023
UNLESS OTHERWISE SPECIFIED: DIMENSIONS ARE IN MILLIMETERS	DO NOT SCALE DRAWING
TOLERANCES:	LINEAR: ANGULAR:
	SHEET 1 OF 1
	SCALE: 1:1

A3



PANIDIS 
 MAKEDONIKI • ALUMINIUM SYSTEM COMPONENTS

PANIDIS S.A.
 PRODUCTION OF ALUMINIUM RAILING SYSTEMS & ACCESSORIES
 TEL:+30 2310 780352-784 519, FAX: +30 2310 783764
 www.panidis-sa.com e-mail: info@panidis-sa.com

DWG NO.

GFH-50

MATERIAL: ANODIZED ALUMINIUM

WEIGHT:

REVISION: DATE: 23/5/2023

DO NOT SCALE DRAWING

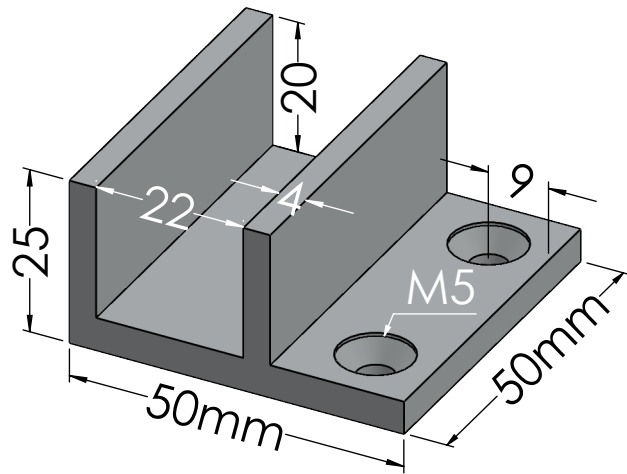
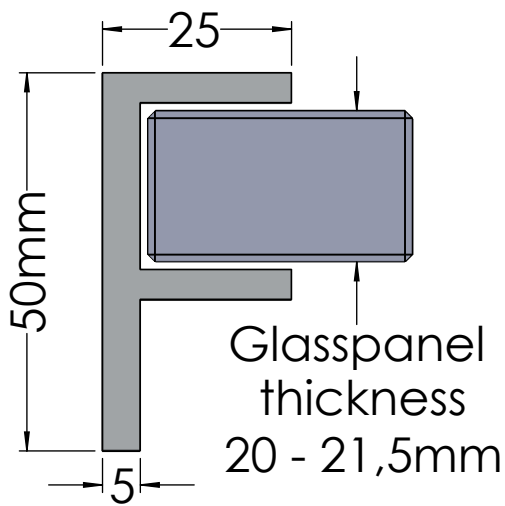
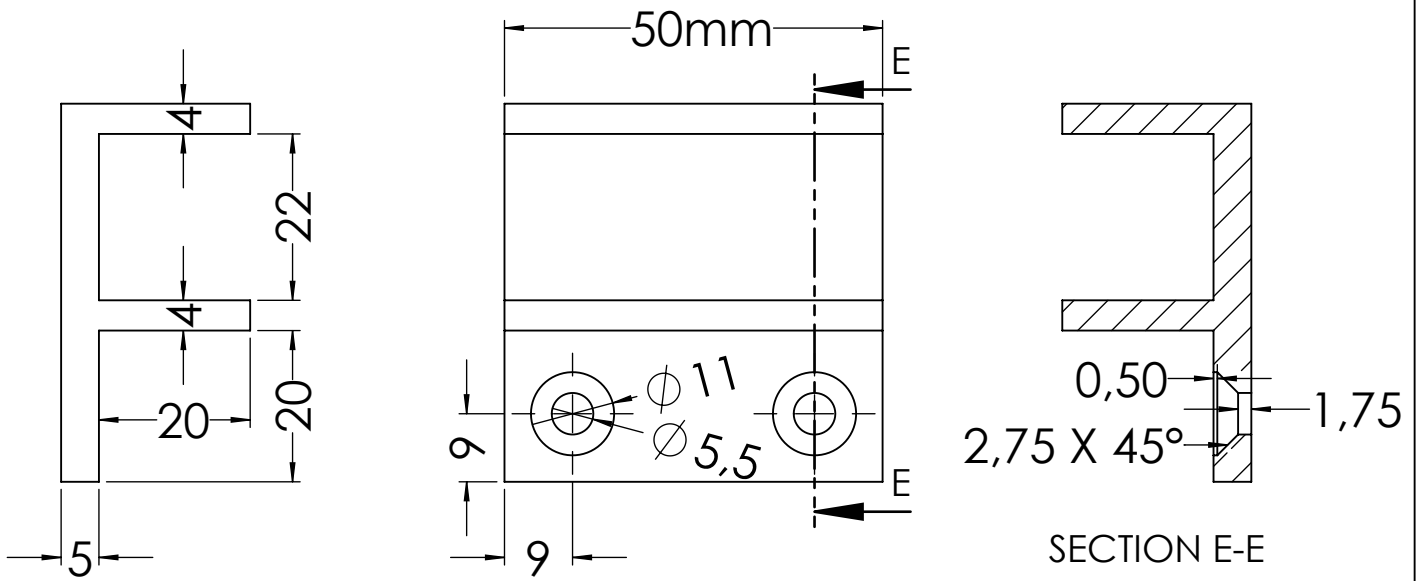
UNLESS OTHERWISE SPECIFIED:
 DIMENSIONS ARE IN MILLIMETERS


SHEET 1 OF 3

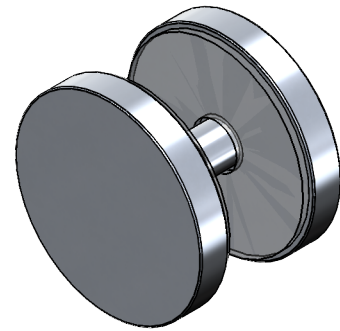
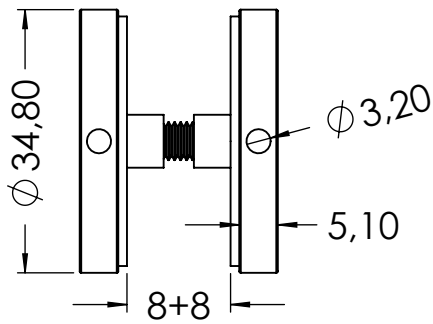
TOLERANCES: LINEAR:
 ANGULAR:

SCALE:1:1

A4



 <p>MAKEDONIKI • ALUMINIUM SYSTEM COMPONENTS</p>		
<p>PANIDIS S.A. PRODUCTION OF ALUMINIUM RAILING SYSTEMS & ACCESSORIES TEL:+30 2310 780352-784 519, FAX: +30 2310 783764 www.panidis-sa.com e-mail: info@panidis-sa.com</p>		
<p>DWG NO. GFH-51</p>		
<p>MATERIAL: ANODIZED ALUMINIUM</p>		<p>WEIGHT:</p>
<p>REVISION:</p>	<p>DATE: 23/5/2023</p>	<p>DO NOT SCALE DRAWING</p>
<p>UNLESS OTHERWISE SPECIFIED: DIMENSIONS ARE IN MILLIMETERS</p>		<p>SHEET 1 OF 3</p>
<p>TOLERANCES: LINEAR: ANGULAR:</p>		<p>SCALE:1:1</p>
		A4

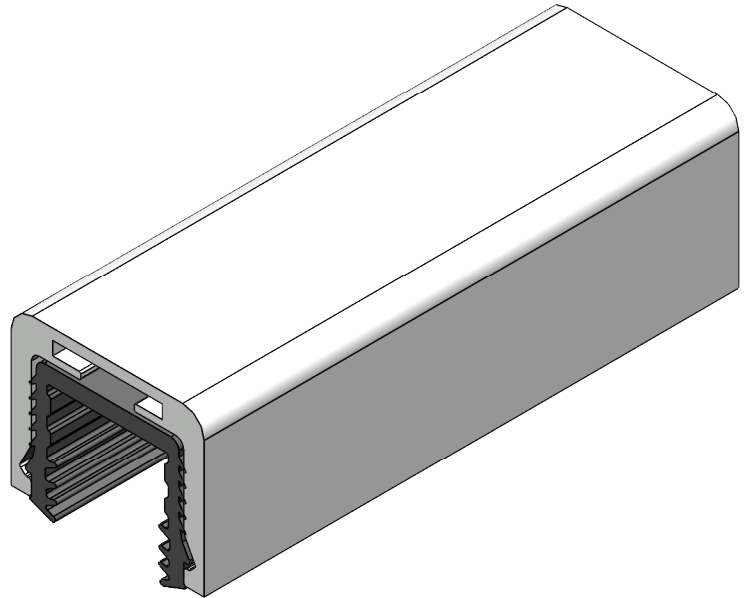
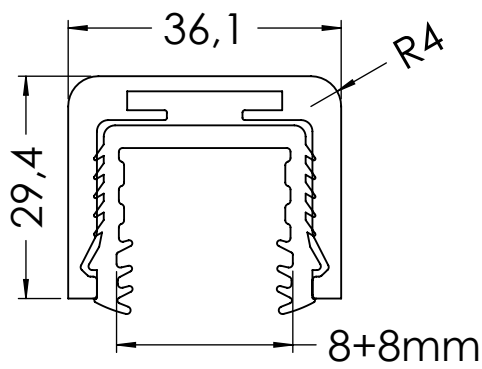


PANIDIS 
 MAKEDONIKI • ALUMINIUM SYSTEM COMPONENTS

PANIDIS S.A.
 PRODUCTION OF ALUMINIUM RAILING SYSTEMS & ACCESSORIES
 TEL:+30 2310 780352-784 519, FAX: +30 2310 783764
 www.panidis-sa.com e-mail: info@panidis-sa.com

DWG NO. **MS-1000-D35**

MATERIAL:	WEIGHT:	
REVISION:	DATE: 24/2/2023	DO NOT SCALE DRAWING
UNLESS OTHERWISE SPECIFIED: DIMENSIONS ARE IN MILLIMETERS		SHEET 1 OF 1
TOLERANCES:	LINEAR: ANGULAR:	SCALE:1:1
		A4

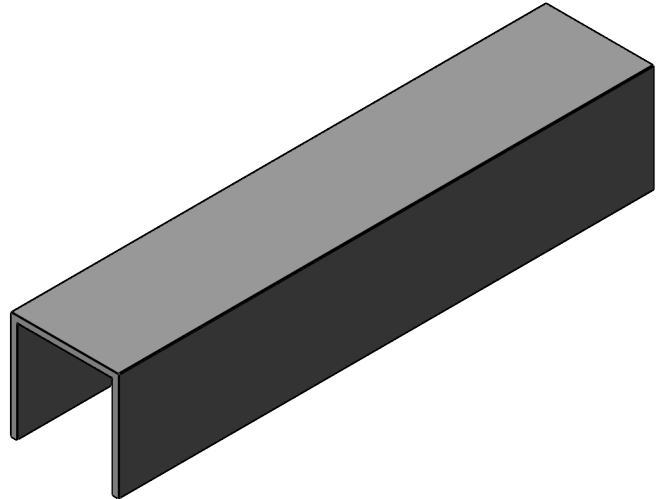
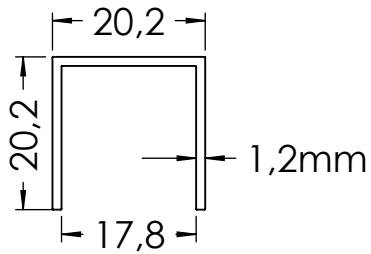


PANIDIS 
 MAKEDONIKI • ALUMINIUM SYSTEM COMPONENTS

PANIDIS S.A.
 PRODUCTION OF ALUMINIUM RAILING SYSTEMS & ACCESSORIES
 TEL:+30 2310 780352-784 519, FAX: +30 2310 783764
 www.panidis-sa.com e-mail: info@panidis-sa.com

DWG NO. **MS-1100**

MATERIAL:		WEIGHT:	
REVISION:	DATE: 5/9/2023	DO NOT SCALE DRAWING	
UNLESS OTHERWISE SPECIFIED: DIMENSIONS ARE IN MILLIMETERS		SHEET 1 OF 1	A4
TOLERANCES:	LINEAR: ANGULAR:	SCALE:1:1	

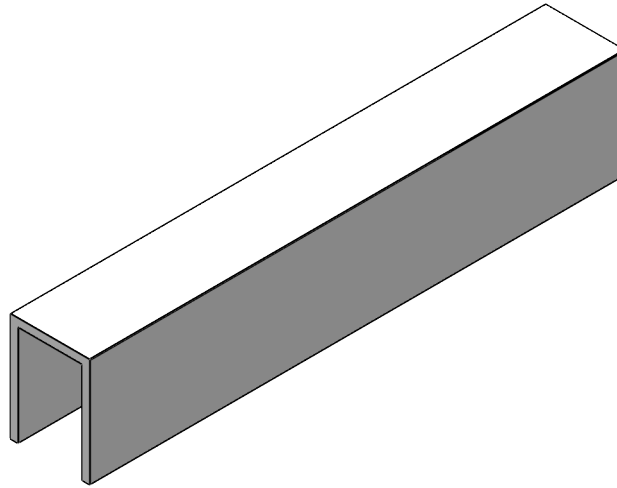
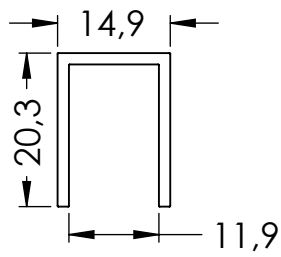


PANIDIS S.A.
PRODUCTION OF ALUMINIUM RAILING SYSTEMS & ACCESSORIES
TEL:+30 2310 780352-784 519, FAX: +30 2310 783764
www.panidis-sa.com e-mail: info@panidis-sa.com

DWG NO. **300-GHR-2019**

MATERIAL:	WEIGHT:
REVISION:	DATE: 27/4/2023
DO NOT SCALE DRAWING	
UNLESS OTHERWISE SPECIFIED: DIMENSIONS ARE IN MILLIMETERS	SHEET 1 OF 1
TOLERANCES:	LINEAR: ANGULAR:
	SCALE:1:1

A4



PANIDIS 
 MAKEDONIKI • ALUMINIUM SYSTEM COMPONENTS

PANIDIS S.A.
 PRODUCTION OF ALUMINIUM RAILING SYSTEMS & ACCESSORIES
 TEL:+30 2310 780352-784 519, FAX: +30 2310 783764
 www.panidis-sa.com e-mail: info@panidis-sa.com

DWG NO. **300-GHR-2015**

MATERIAL:		WEIGHT:	
REVISION:	DATE: 23/5/2023	DO NOT SCALE DRAWING	
UNLESS OTHERWISE SPECIFIED: DIMENSIONS ARE IN MILLIMETERS		SHEET 1 OF 1	A4
TOLERANCES:	LINEAR: ANGULAR:	SCALE:1:1	