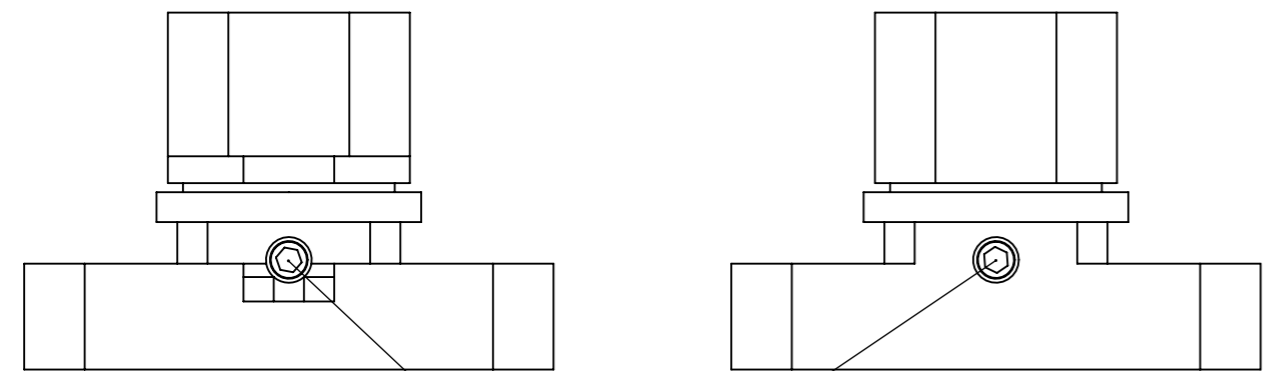
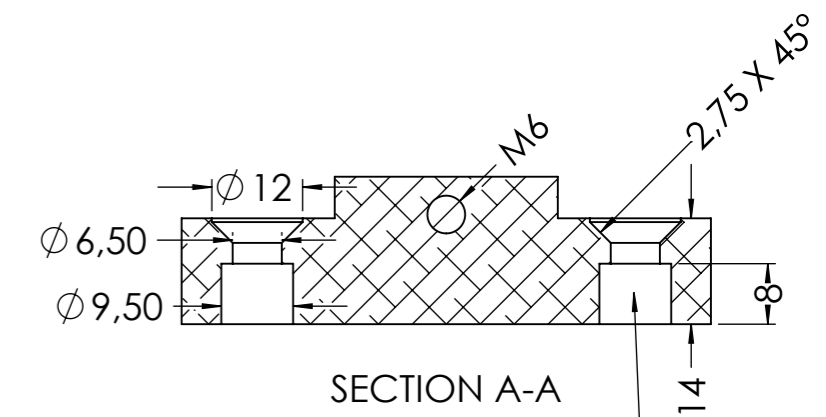
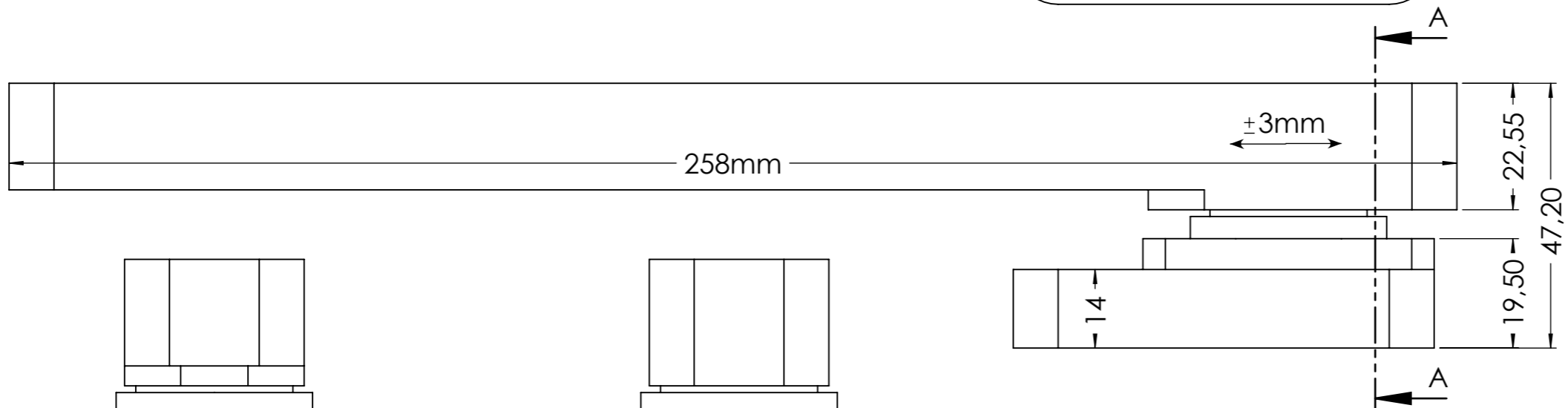
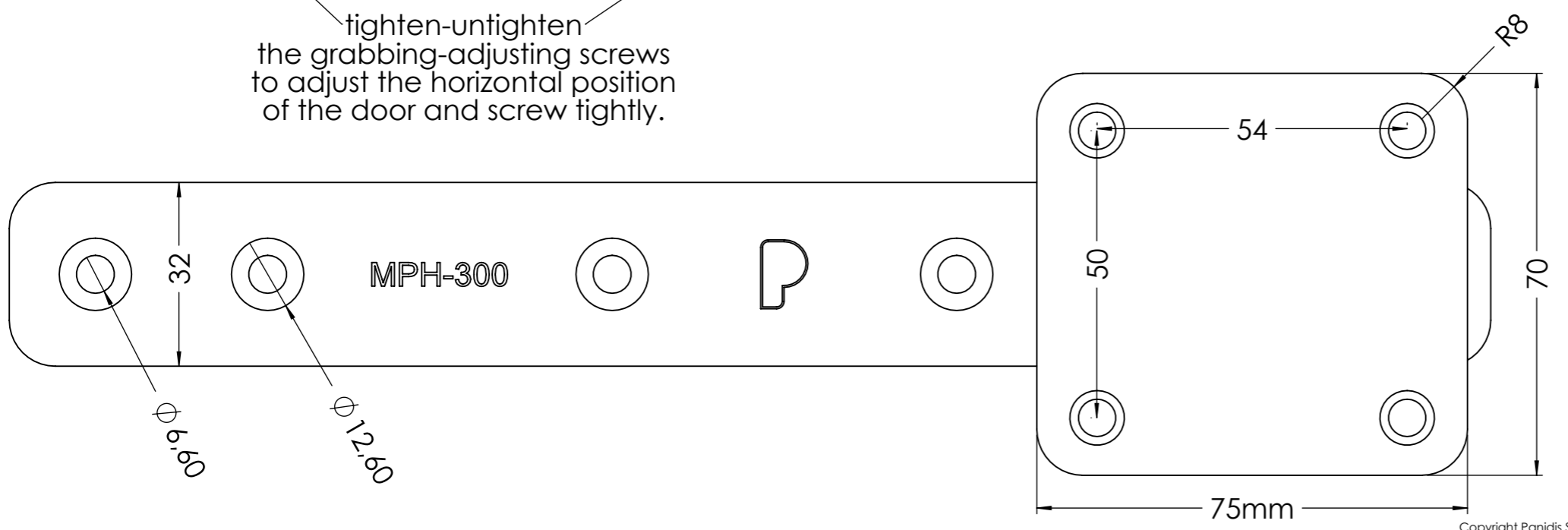



SCALE 1 : 2

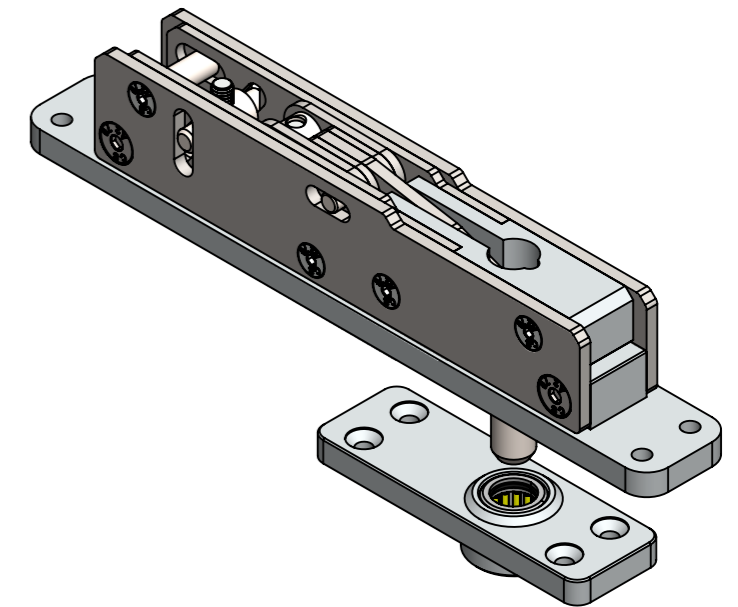
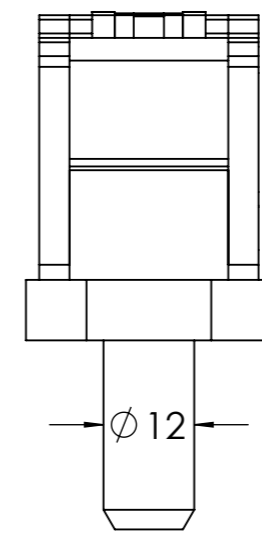
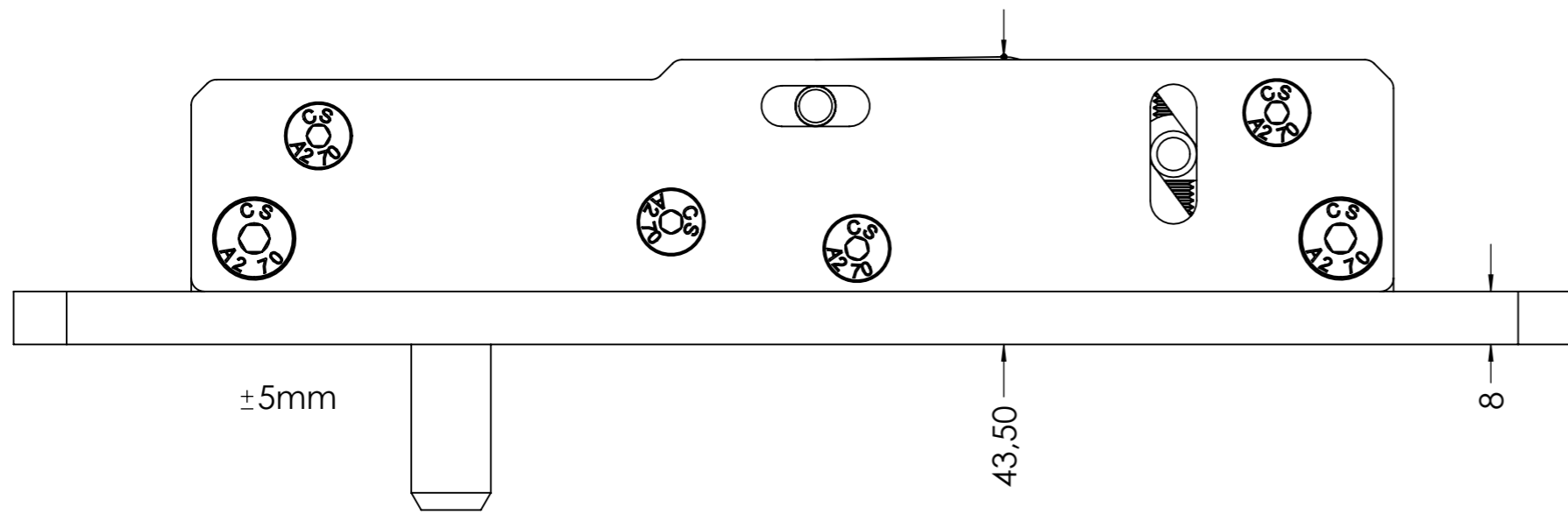


tighten-untighten the grabbing-adjusting screws to adjust the horizontal position of the door and screw tightly.

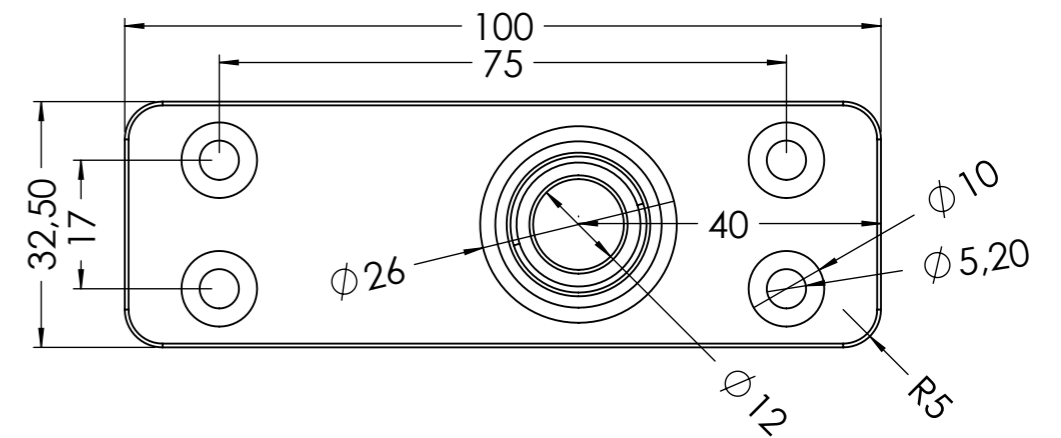
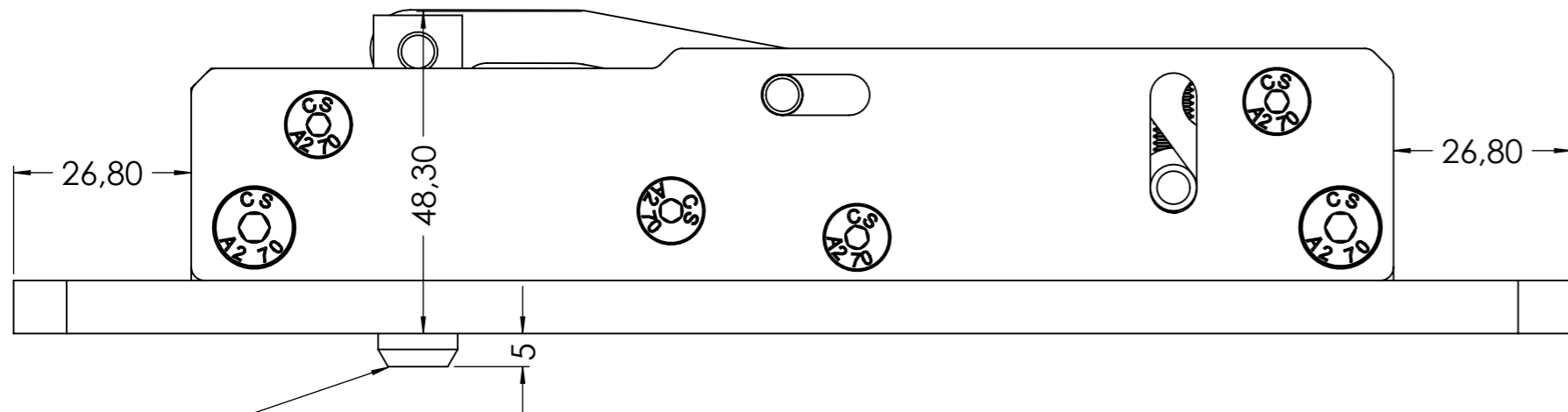


 <p><b>PANIDIS</b> MAKEDONIKI • ALUMINIUM SYSTEM COMPONENTS</p>	
<p>PANIDIS S.A. PRODUCTION OF ALUMINIUM RAILING SYSTEMS &amp; ACCESSORIES TEL: +30 2310 780352-784 519, FAX: +30 2310 783764 www.panidis-sa.com e-mail: info@panidis-sa.com</p>	
DWG NO.	
<h1>MPH-301</h1>	
MATERIAL: ANODIZED ALUMINIUM	WEIGHT:
REVISION:	DATE: 22/2/2022
UNLESS OTHERWISE SPECIFIED: DIMENSIONS ARE IN MILLIMETERS	DO NOT SCALE DRAWING
TOLERANCES: LINEAR: ANGULAR:	SHEET 1 OF 9
	SCALE: 1:1

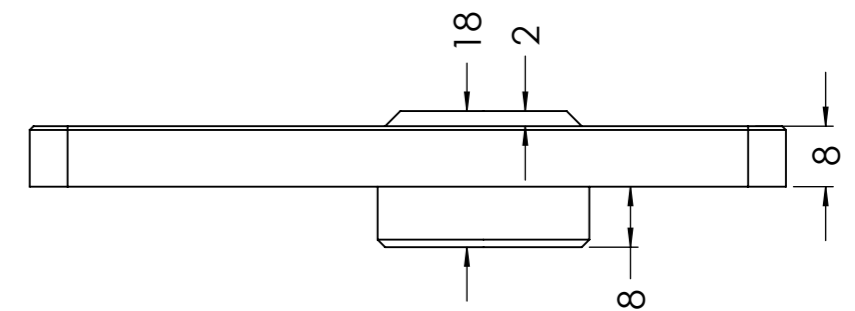
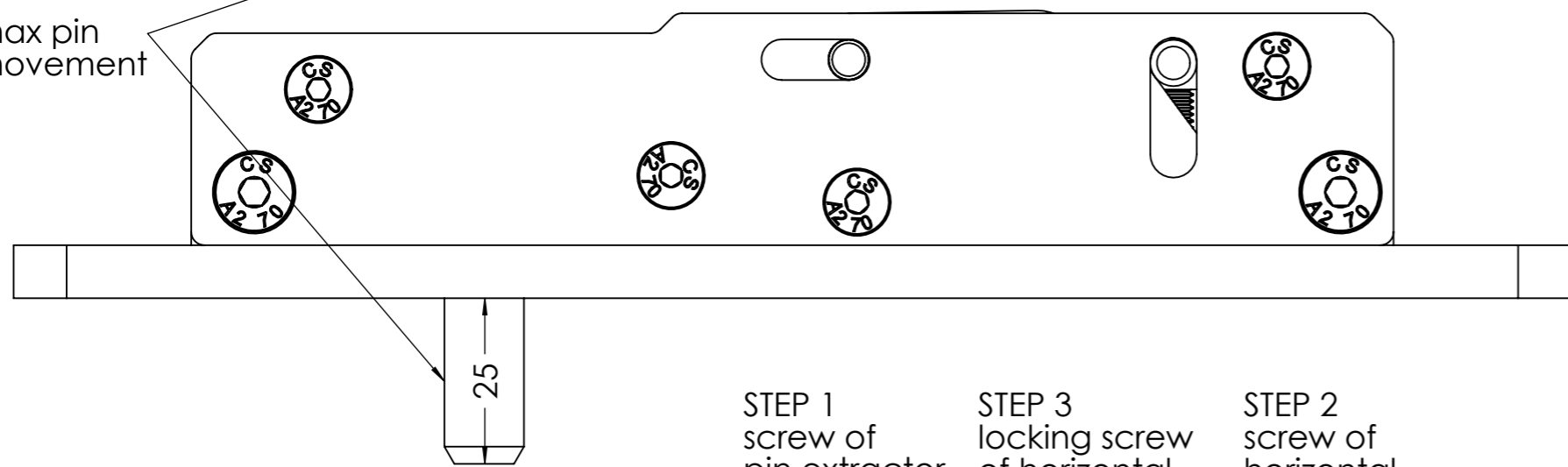
# HINGE PIVOT - MPH-300 & MPH-300-S



SCALE 1 : 2



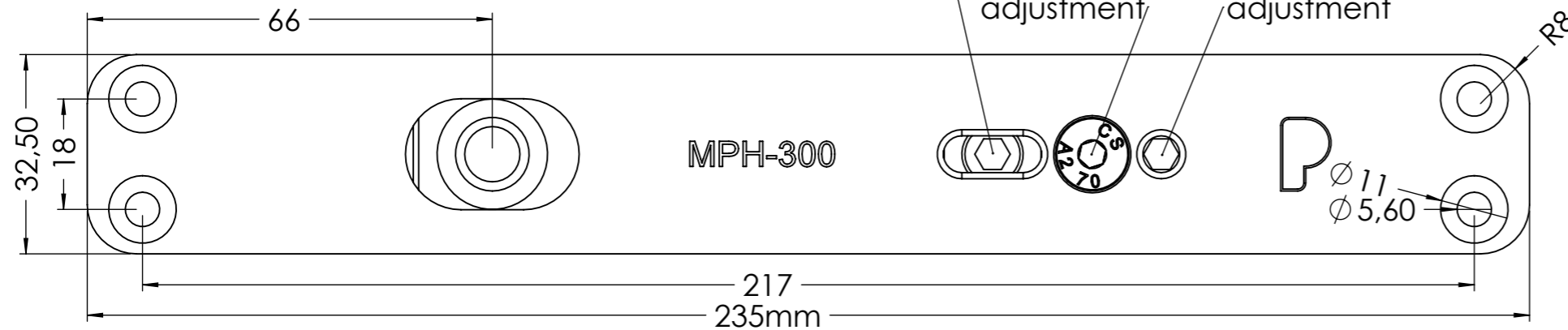
max pin movement



STEP 1  
screw of  
pin extractor

STEP 3  
locking screw  
of horizontal  
adjustment

STEP 2  
screw of  
horizontal  
adjustment



**PANIDIS**  
MAKEDONIKI • ALUMINIUM SYSTEM COMPONENTS

PANIDIS S.A.  
PRODUCTION OF ALUMINIUM RAILING SYSTEMS & ACCESSORIES  
TEL: +30 2310 780352-784 519, FAX: +30 2310 783764  
www.panidis-sa.com e-mail: info@panidis-sa.com

DWG NO.

**MPH-302**

MATERIAL: ANODIZED ALUMINIUM

WEIGHT:

REVISION: DATE: 22/2/2022

DO NOT SCALE DRAWING

UNLESS OTHERWISE SPECIFIED:  
DIMENSIONS ARE IN MILLIMETERS

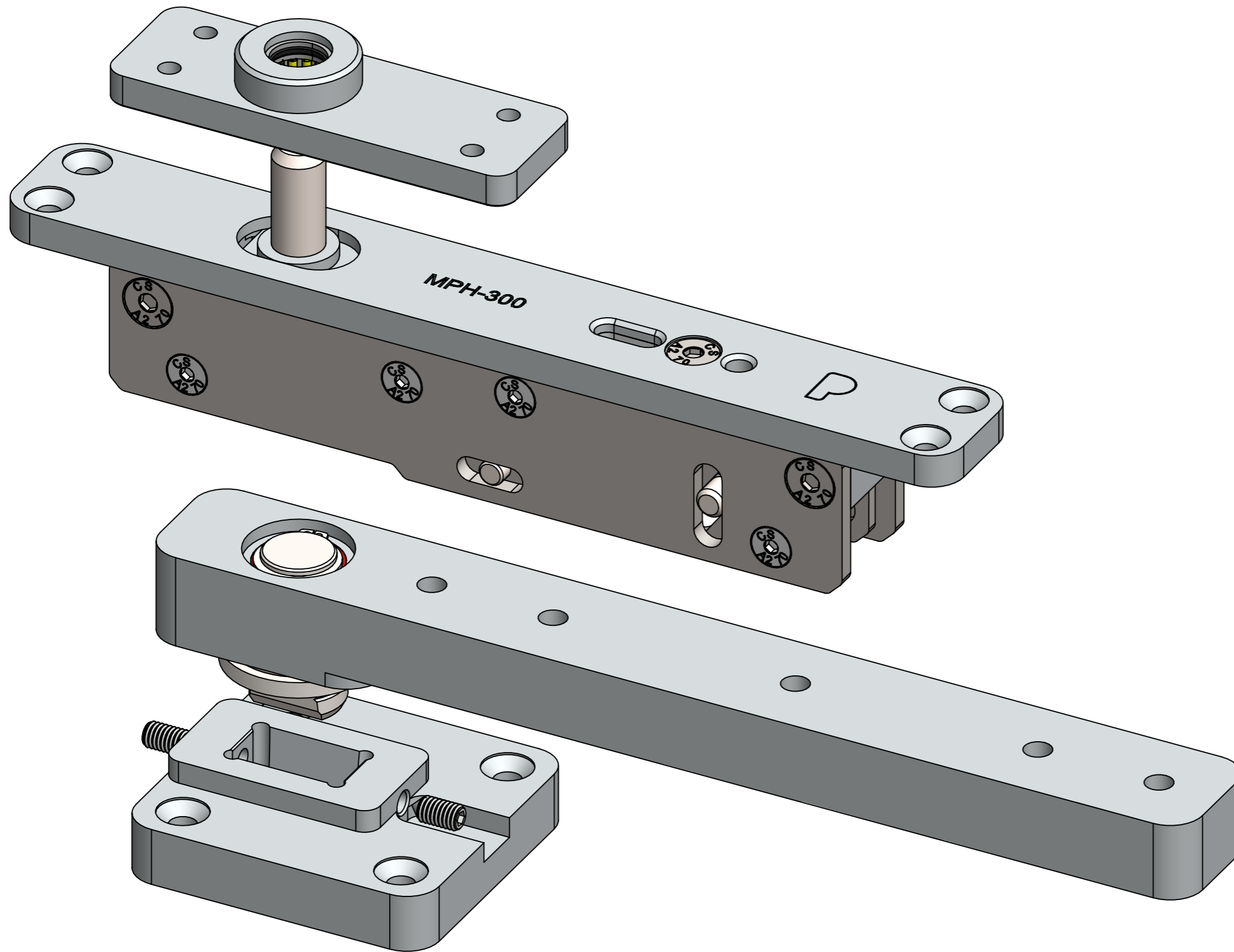
SHEET 4 OF 9

TOLERANCES: LINEAR: ANGULAR:

SCALE: 1:1

A3

HINGE PIVOT - MPH-300



**PANIDIS**   
 MAKEDONIKI • ALUMINIUM SYSTEM COMPONENTS

PANIDIS S.A.  
 PRODUCTION OF ALUMINIUM RAILING SYSTEMS & ACCESSORIES  
 TEL: +30 2310 780352-784 519, FAX: +30 2310 783764  
 www.panidis-sa.com e-mail: info@panidis-sa.com

DWG NO.

**MPH-300**

MATERIAL: ANODIZED ALUMINIUM

WEIGHT:

REVISION: DATE:

DO NOT SCALE DRAWING

UNLESS OTHERWISE SPECIFIED:  
 DIMENSIONS ARE IN MILLIMETERS

SHEET 6 OF 9

TOLERANCES: LINEAR: ANGULAR:

SCALE: 1:1

**A3**