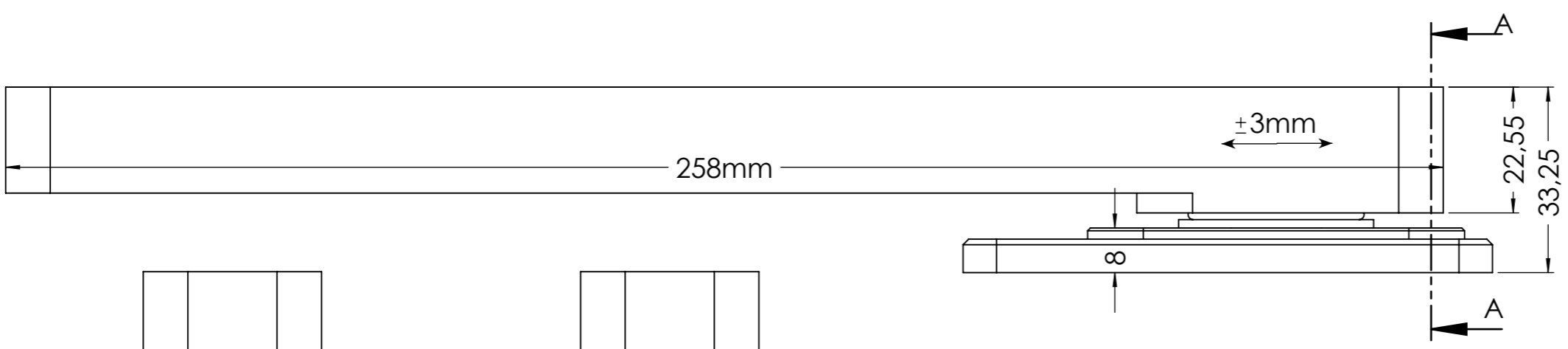
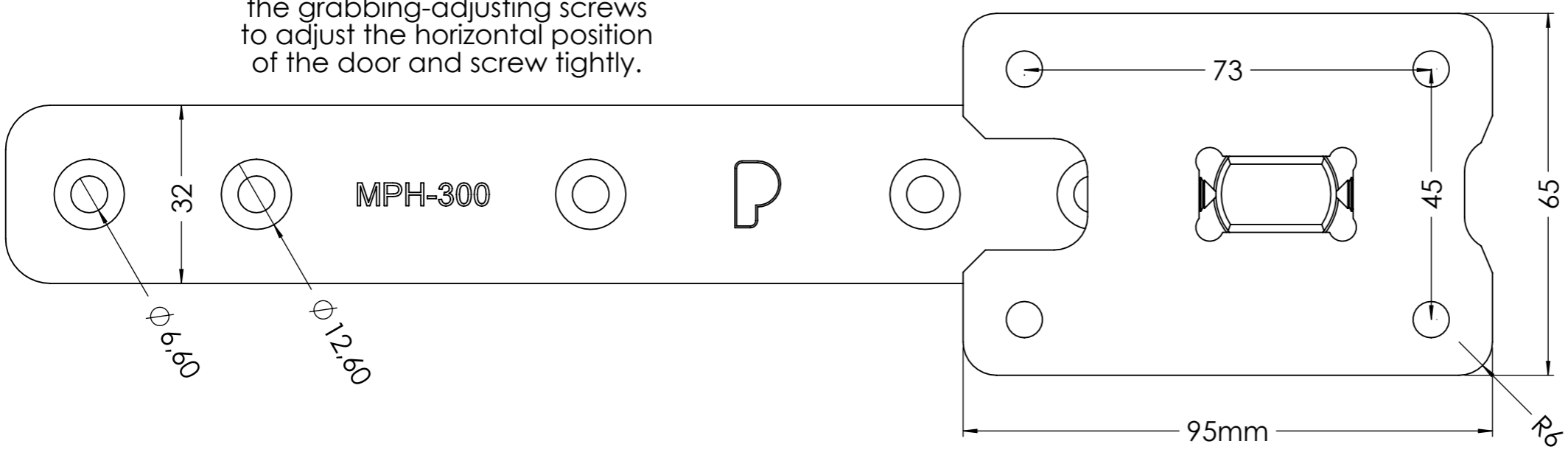
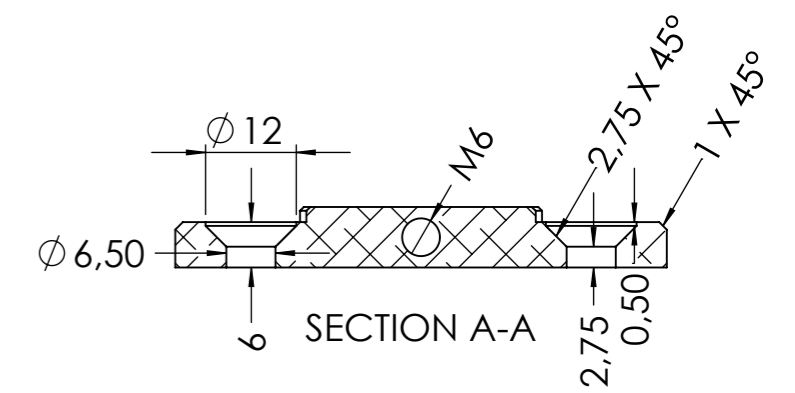



SCALE 1 : 2

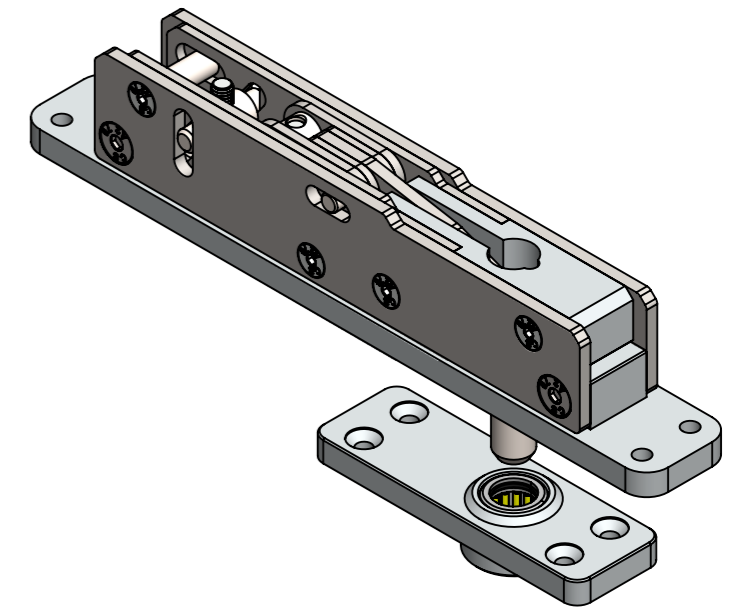
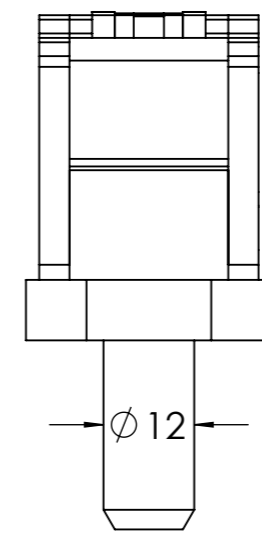
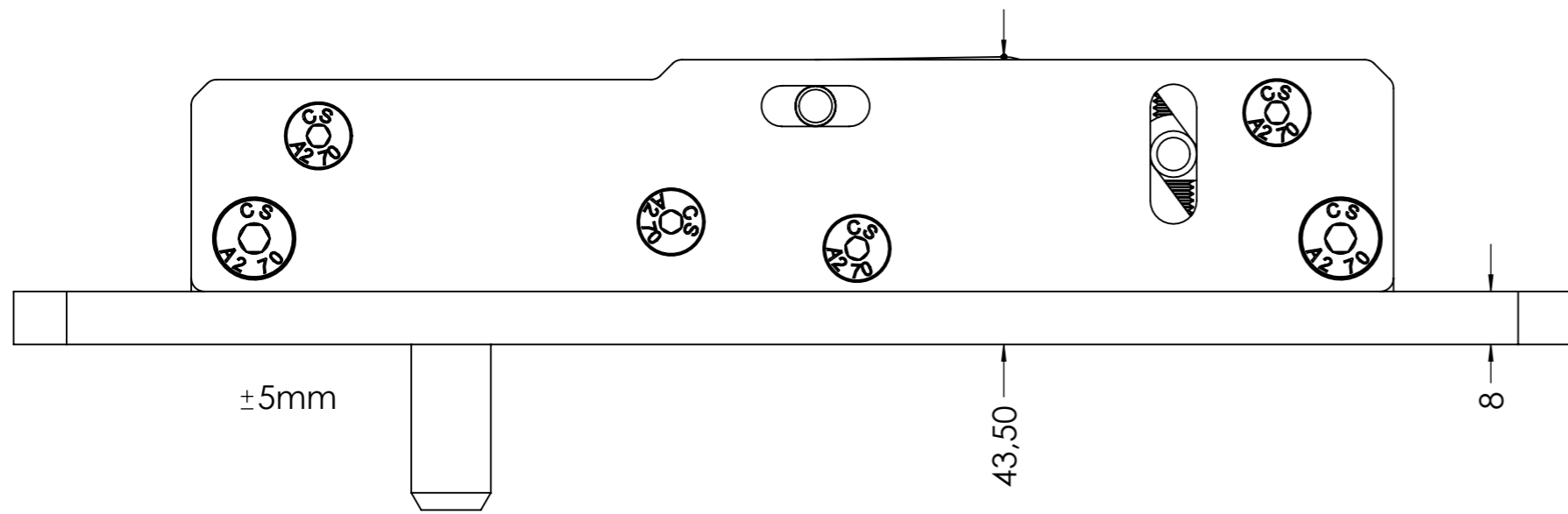


tighten-untighten  
the grabbing-adjusting screws  
to adjust the horizontal position  
of the door and screw tightly.

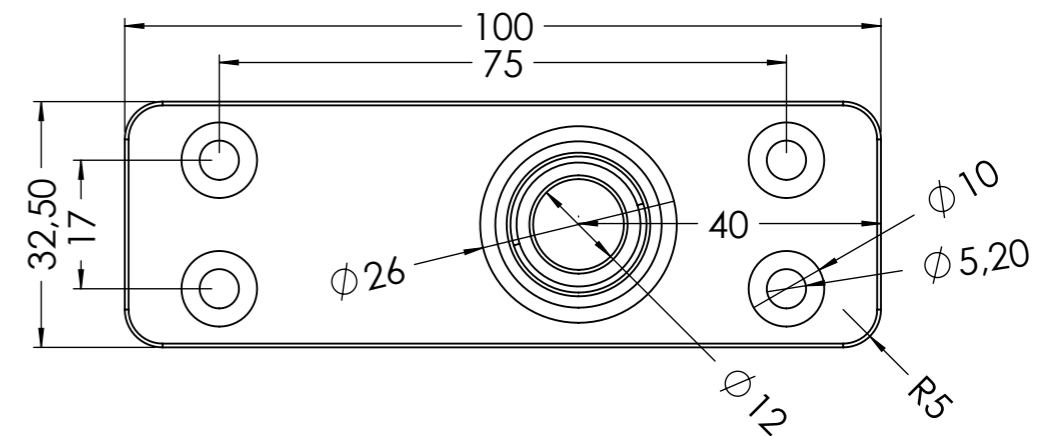
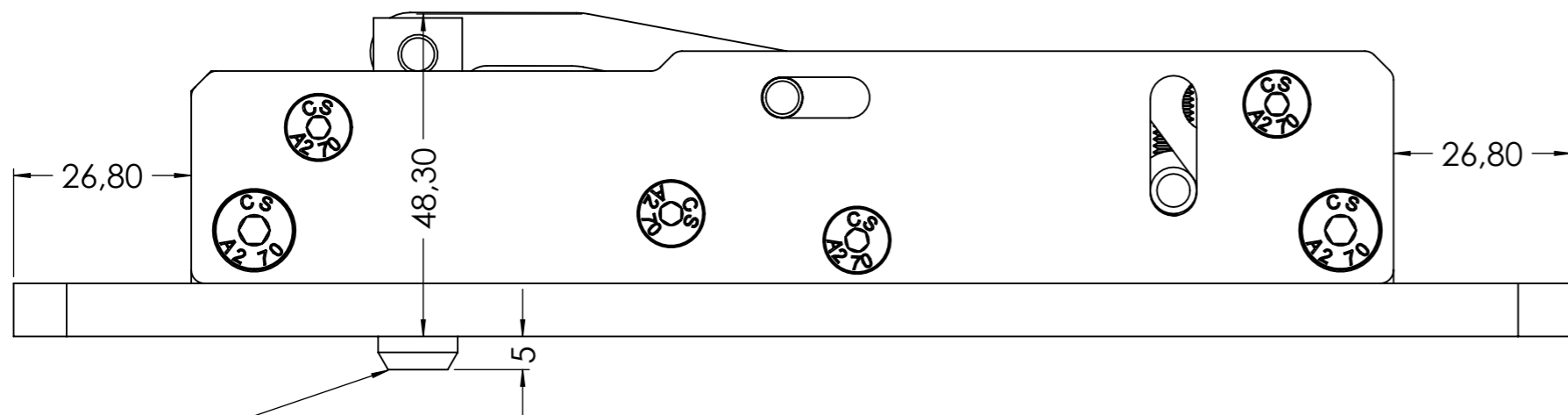


 <p><b>PANIDIS</b> MAKEDONIKI • ALUMINIUM SYSTEM COMPONENTS</p>	
<p>PANIDIS S.A. PRODUCTION OF ALUMINIUM RAILING SYSTEMS &amp; ACCESSORIES TEL: +30 2310 780352-784 519, FAX: +30 2310 783764 www.panidis-sa.com e-mail: info@panidis-sa.com</p>	
DWG NO.	
<h1>MPH-301-S</h1>	
MATERIAL: ANODIZED ALUMINIUM	WEIGHT:
REVISION:	DATE:
DO NOT SCALE DRAWING	
UNLESS OTHERWISE SPECIFIED: DIMENSIONS ARE IN MILLIMETERS	
SHEET 2 OF 9	
TOLERANCES:	LINEAR: ANGULAR:
SCALE: 1:1	

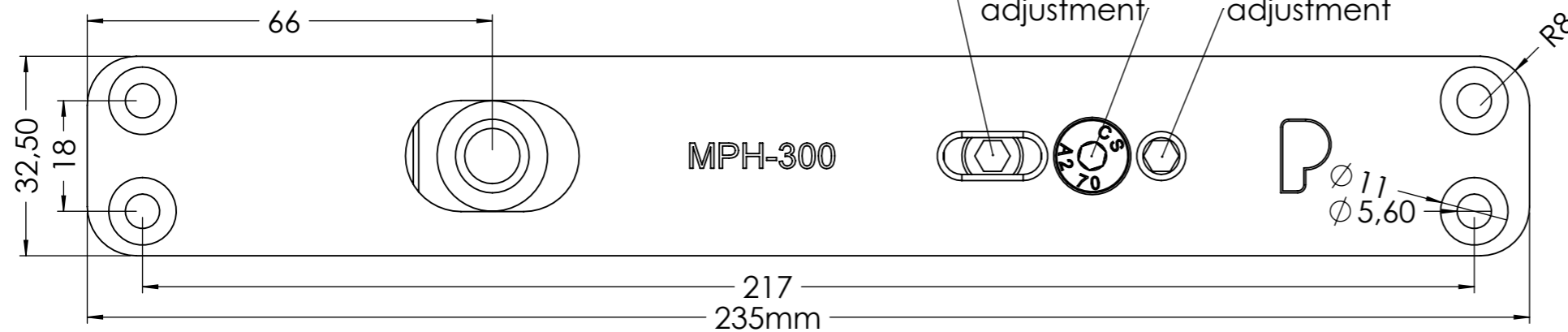
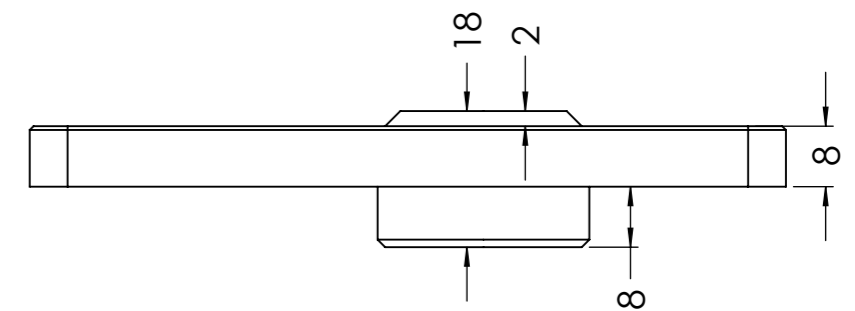
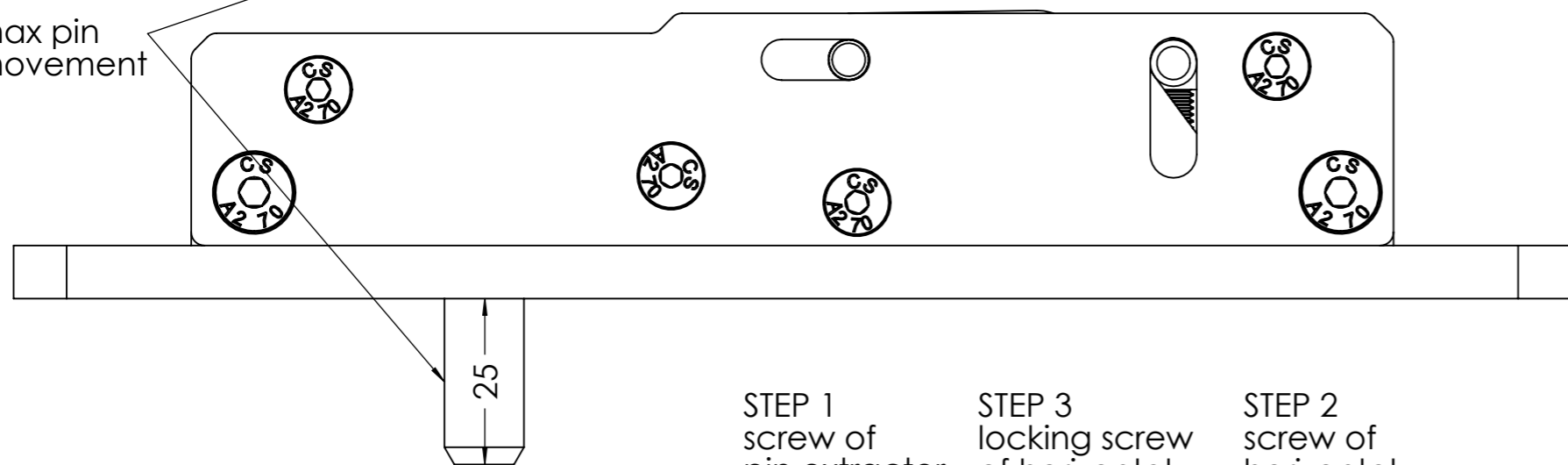
**HINGE PIVOT - MPH-300 & MPH-300-S**



SCALE 1 : 2



max pin movement



**PANIDIS**  
MAKEDONIKI • ALUMINIUM SYSTEM COMPONENTS

PANIDIS S.A.  
PRODUCTION OF ALUMINIUM RAILING SYSTEMS & ACCESSORIES  
TEL: +30 2310 780352-784 519, FAX: +30 2310 783764  
www.panidis-sa.com e-mail: info@panidis-sa.com

DWG NO.

**MPH-302**

MATERIAL: ANODIZED ALUMINIUM

WEIGHT:

REVISION: DATE: 22/2/2022

DO NOT SCALE DRAWING

UNLESS OTHERWISE SPECIFIED:  
DIMENSIONS ARE IN MILLIMETERS

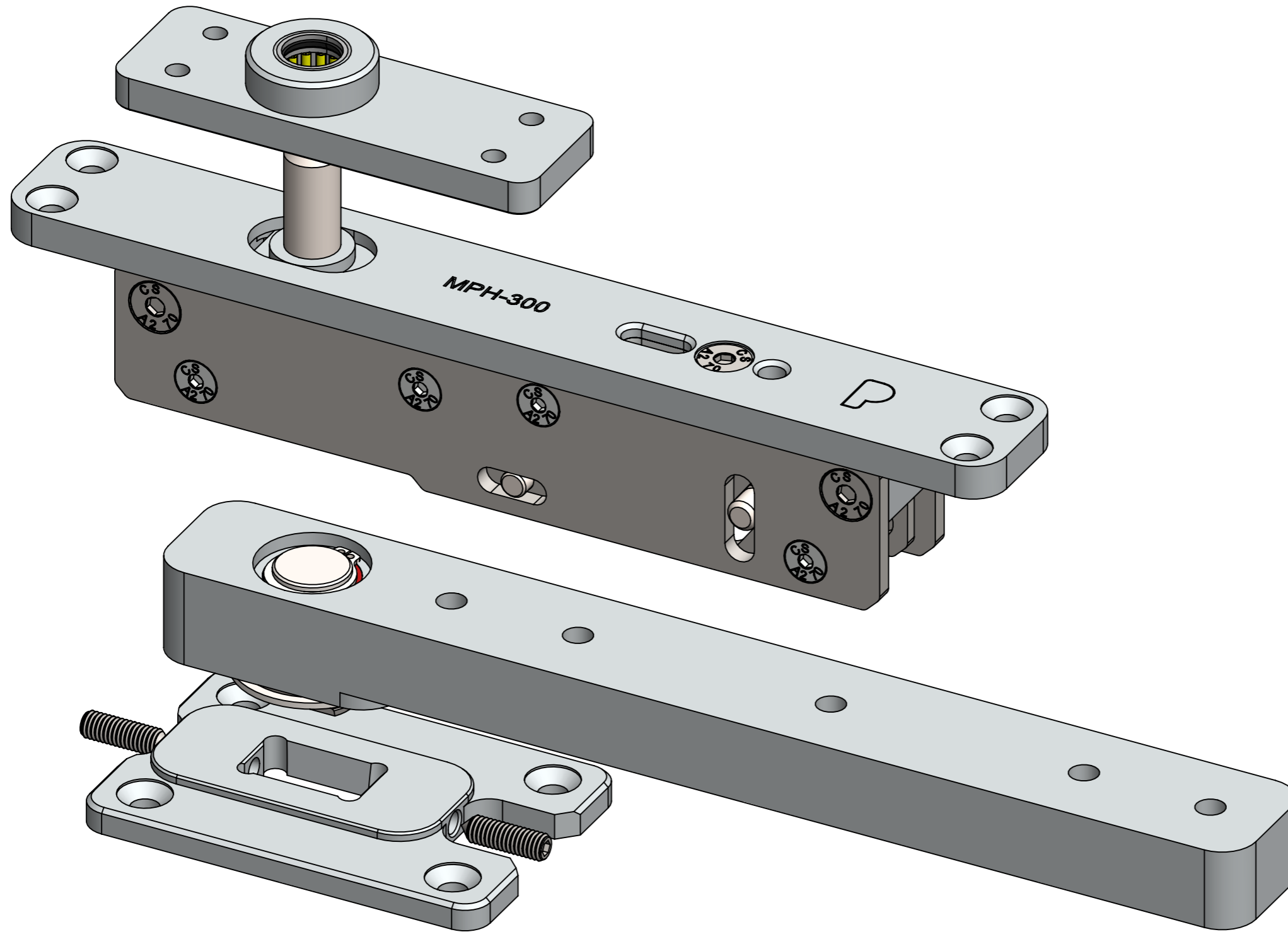
SHEET 4 OF 9

TOLERANCES: LINEAR: ANGULAR:

SCALE: 1:1

**A3**

HINGE PIVOT - MPH-300-S



**PANIDIS**   
 MAKEDONIKI • ALUMINIUM SYSTEM COMPONENTS

PANIDIS S.A.  
 PRODUCTION OF ALUMINIUM RAILING SYSTEMS & ACCESSORIES  
 TEL: +30 2310 780352-784 519, FAX: +30 2310 783764  
 www.panidis-sa.com e-mail: info@panidis-sa.com

DWG NO.

**MPH-300-S**

MATERIAL: ANODIZED ALUMINIUM

WEIGHT:

REVISION: DATE:

DO NOT SCALE DRAWING

UNLESS OTHERWISE SPECIFIED:  
 DIMENSIONS ARE IN MILLIMETERS

SHEET 7 OF 9

TOLERANCES: LINEAR: ANGULAR:

SCALE: 1:1

**A3**