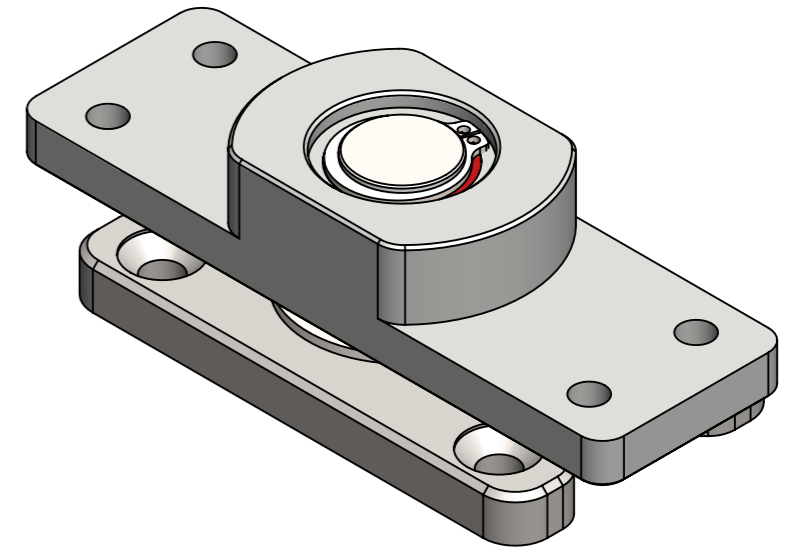
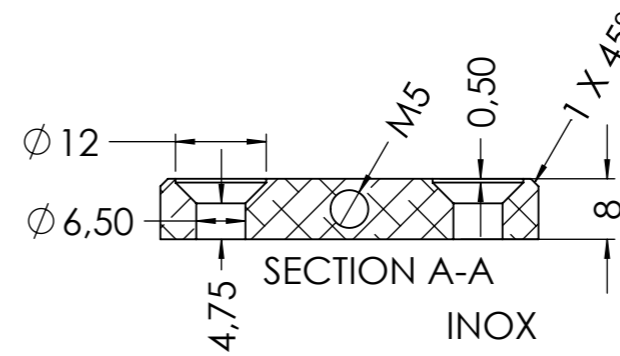
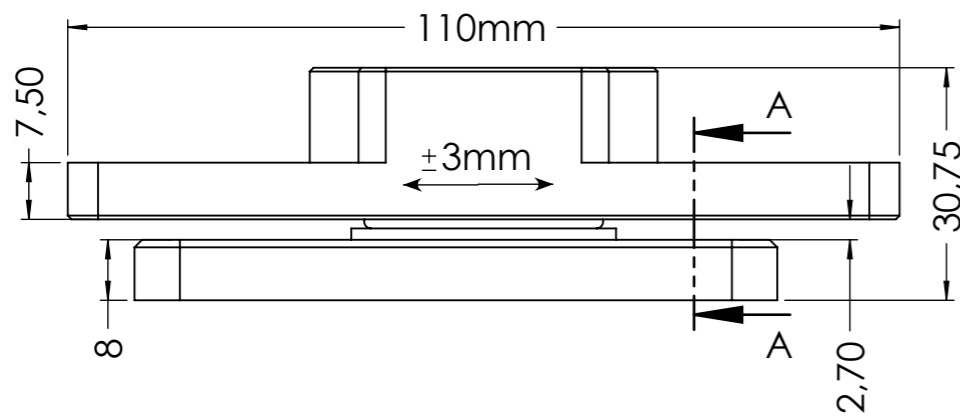
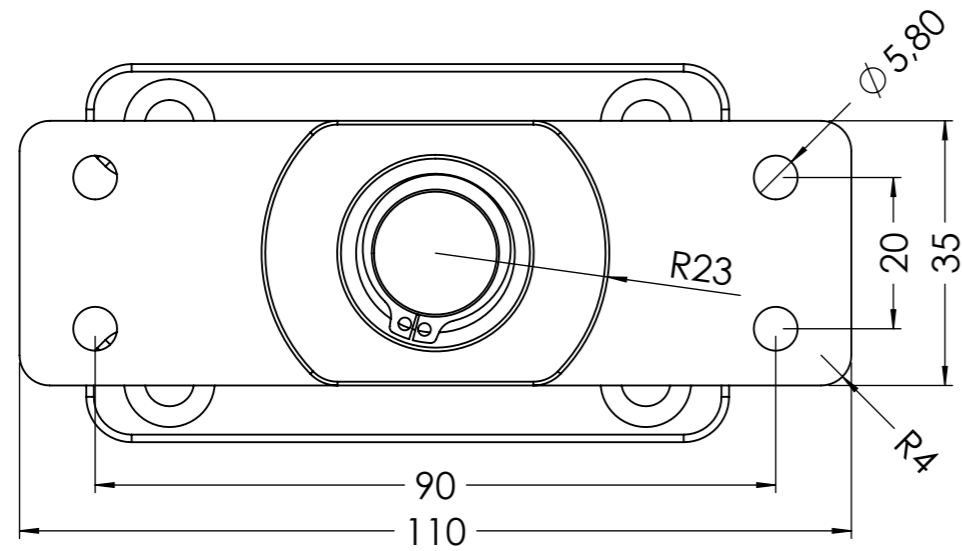


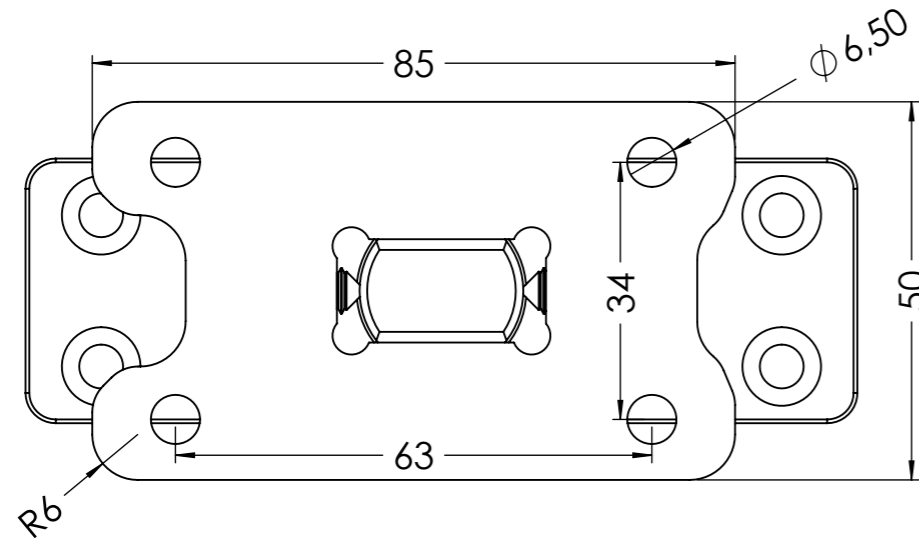
**HINGE PIVOT - MPH-300-B (for security doors)**




SCALE 1:1

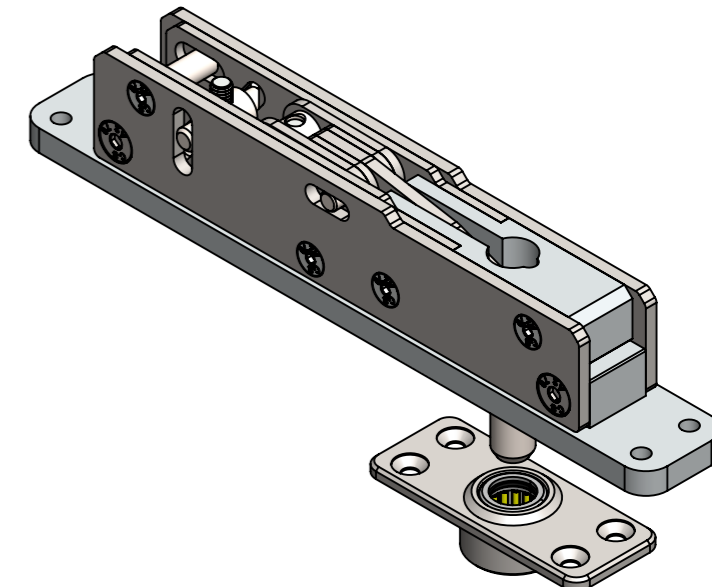
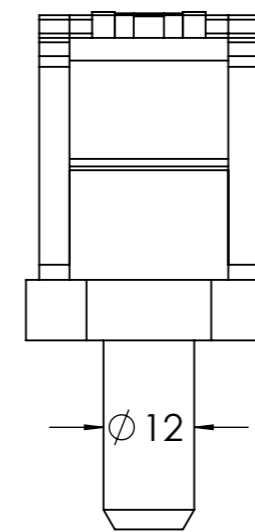
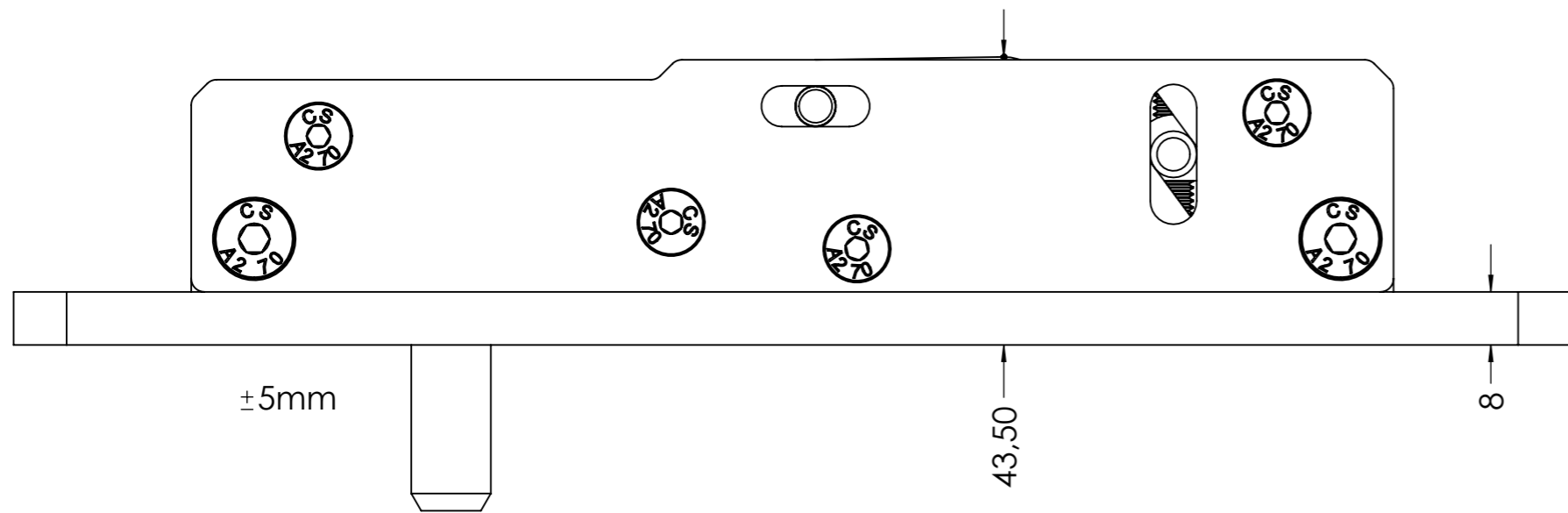


tighten-untighten  
the grabbing-adjusting screws  
to adjust the horizontal position  
of the door and screw tightly.

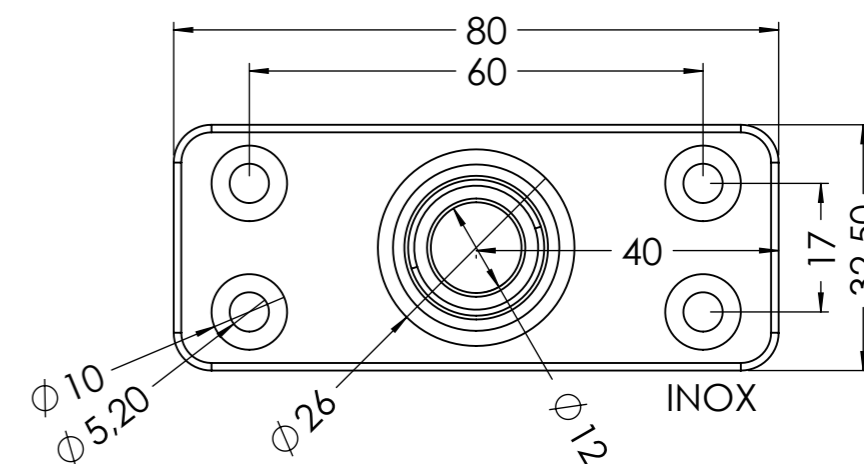
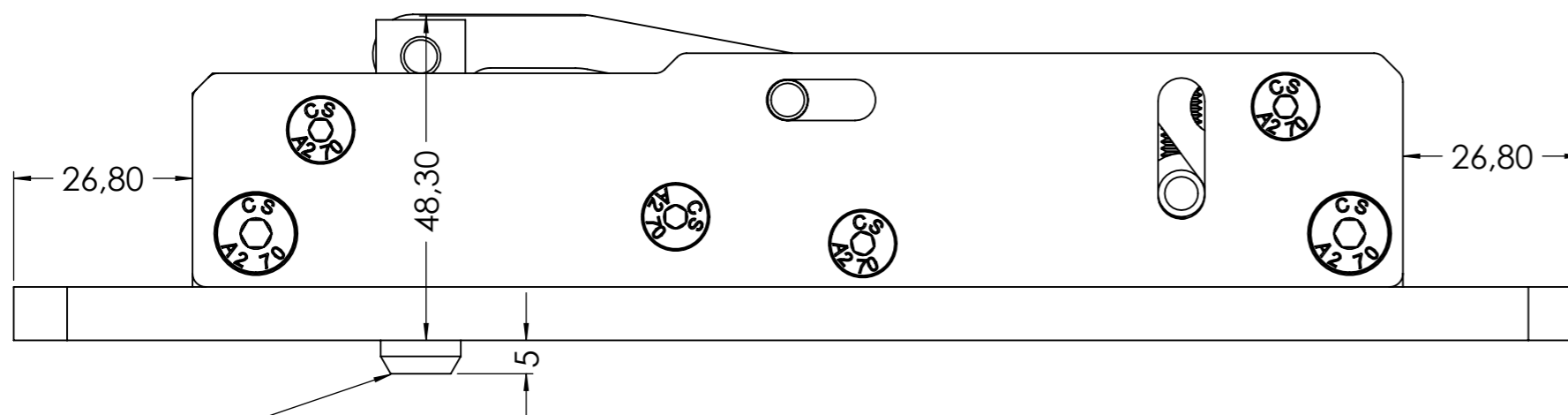


 <p><b>PANIDIS</b> MAKEDONIKI • ALUMINIUM SYSTEM COMPONENTS</p>	
<p>PANIDIS S.A. PRODUCTION OF ALUMINIUM RAILING SYSTEMS &amp; ACCESSORIES TEL: +30 2310 780352-784 519, FAX: +30 2310 783764 www.panidis-sa.com e-mail: info@panidis-sa.com</p>	
DWG NO.	
<h1>MPH-301-B</h1>	
MATERIAL: ANODIZED ALUMINIUM	WEIGHT:
REVISION:	DATE:
DO NOT SCALE DRAWING	
UNLESS OTHERWISE SPECIFIED: DIMENSIONS ARE IN MILLIMETERS	
SHEET 3 OF 9	
TOLERANCES:	LINEAR: ANGULAR:
SCALE: 1:1	

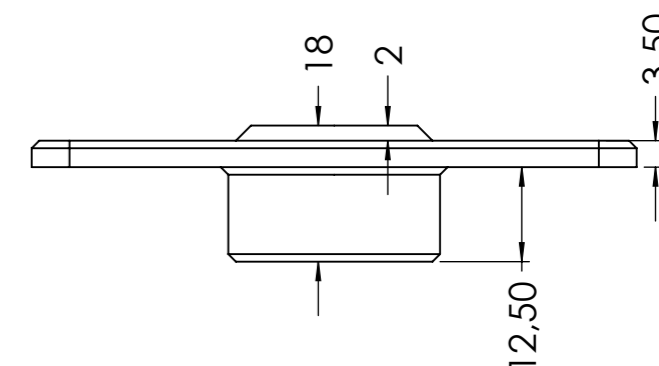
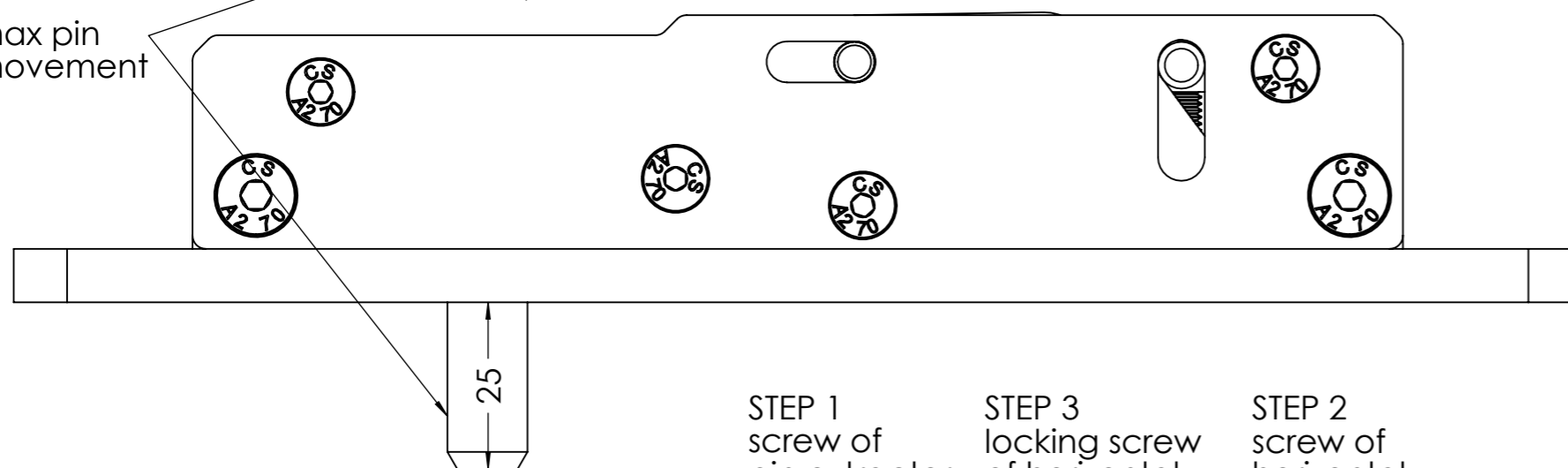
**HINGE PIVOT - MPH-300-B (for security doors)**



SCALE 1 : 2



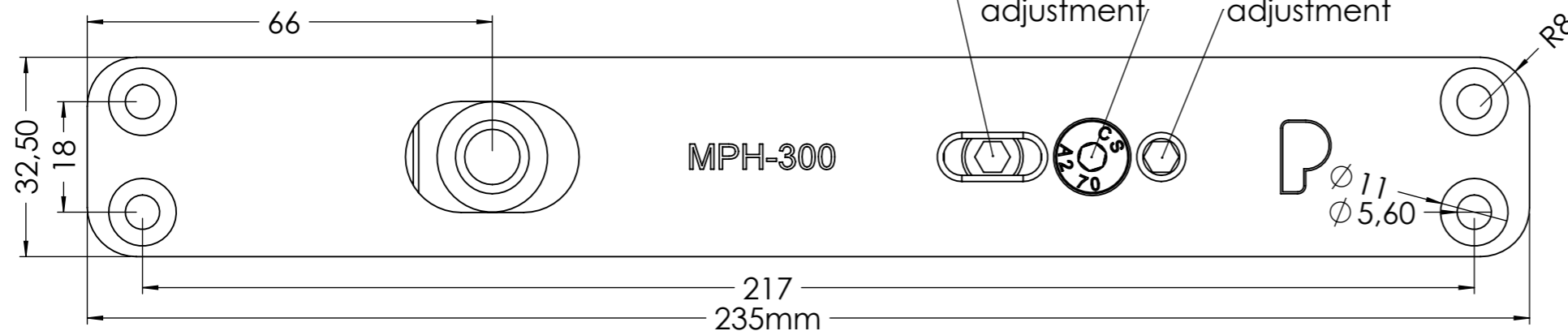
max pin movement



STEP 1  
screw of  
pin extractor

STEP 3  
locking screw  
of horizontal  
adjustment

STEP 2  
screw of  
horizontal  
adjustment



MPH-300



**PANIDIS**  
MAKEDONIKI • ALUMINIUM SYSTEM COMPONENTS

PANIDIS S.A.  
PRODUCTION OF ALUMINIUM RAILING SYSTEMS & ACCESSORIES  
TEL: +30 2310 780352-784 519, FAX: +30 2310 783764  
www.panidis-sa.com e-mail: info@panidis-sa.com

DWG NO.

**MPH-302-B**

MATERIAL: ANODIZED ALUMINIUM

WEIGHT:

REVISION: DATE: 22/2/2022

DO NOT SCALE DRAWING

UNLESS OTHERWISE SPECIFIED:  
DIMENSIONS ARE IN MILLIMETERS

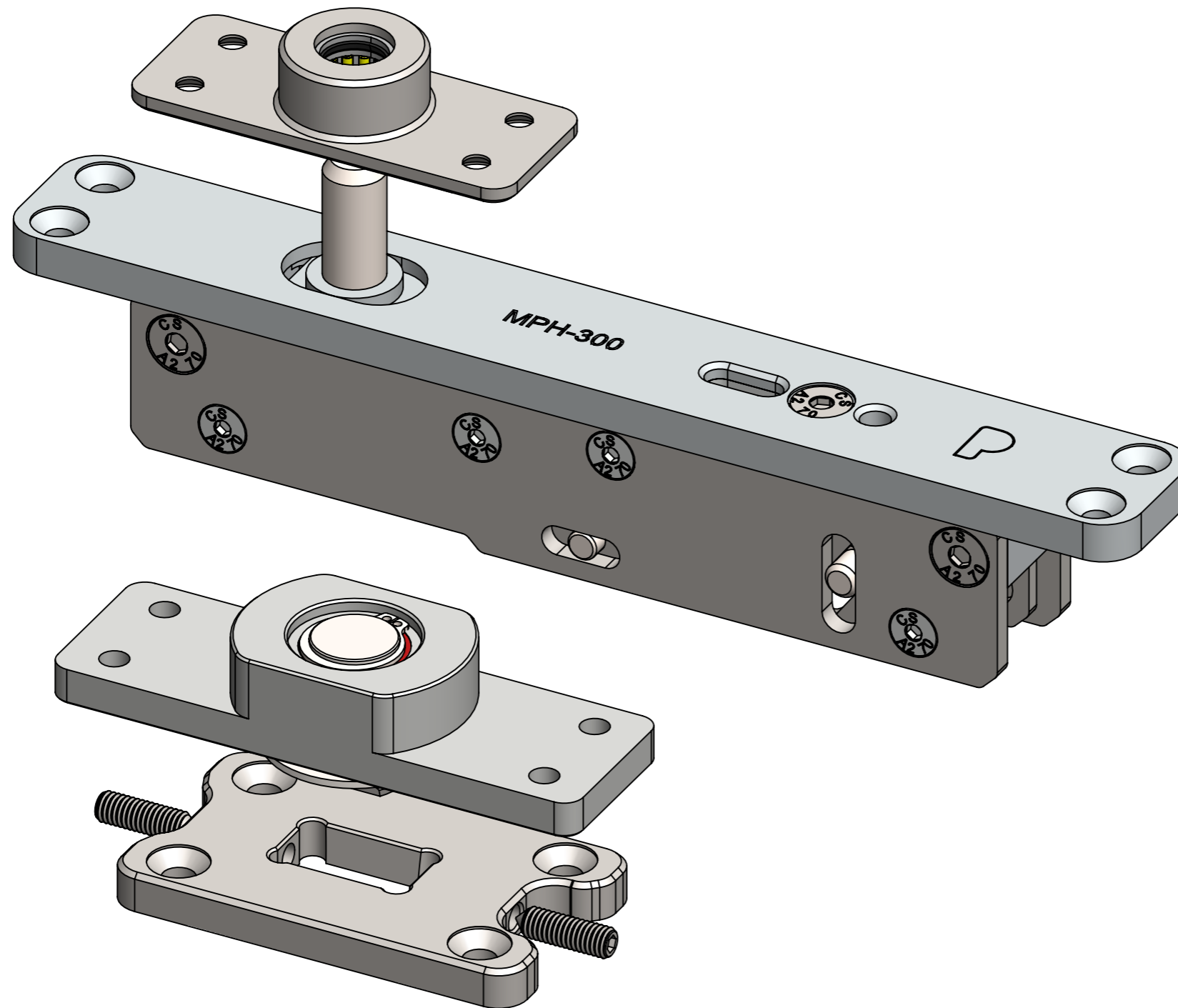
SHEET 5 OF 9

TOLERANCES: LINEAR: ANGULAR:

SCALE: 1:1

A3

HINGE PIVOT - MPH-300-B



**PANIDIS**   
 MAKEDONIKI • ALUMINIUM SYSTEM COMPONENTS

PANIDIS S.A.  
 PRODUCTION OF ALUMINIUM RAILING SYSTEMS & ACCESSORIES  
 TEL: +30 2310 780352-784 519, FAX: +30 2310 783764  
 www.panidis-sa.com e-mail: info@panidis-sa.com

DWG NO.

**MPH-300-B**

MATERIAL: ANODIZED ALUMINIUM

WEIGHT:

REVISION: DATE:

DO NOT SCALE DRAWING

UNLESS OTHERWISE SPECIFIED:  
 DIMENSIONS ARE IN MILLIMETERS

SHEET 8 OF 9

TOLERANCES: LINEAR: ANGULAR:

SCALE: 1:1

**A3**