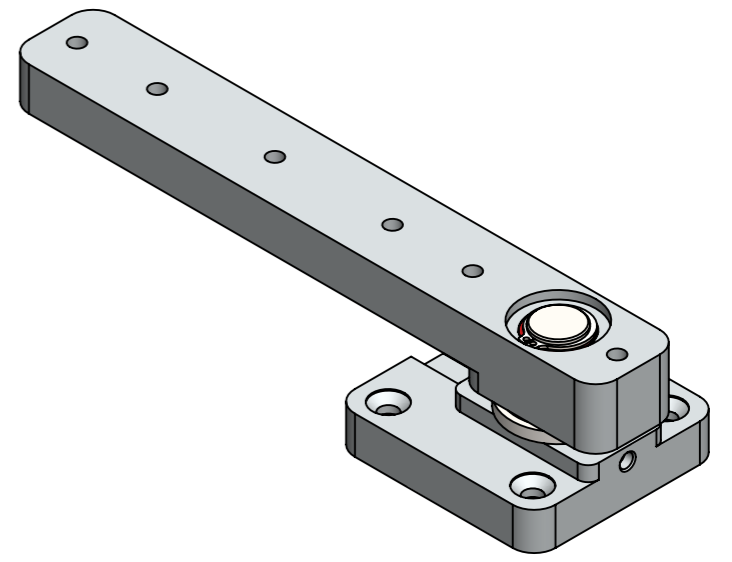
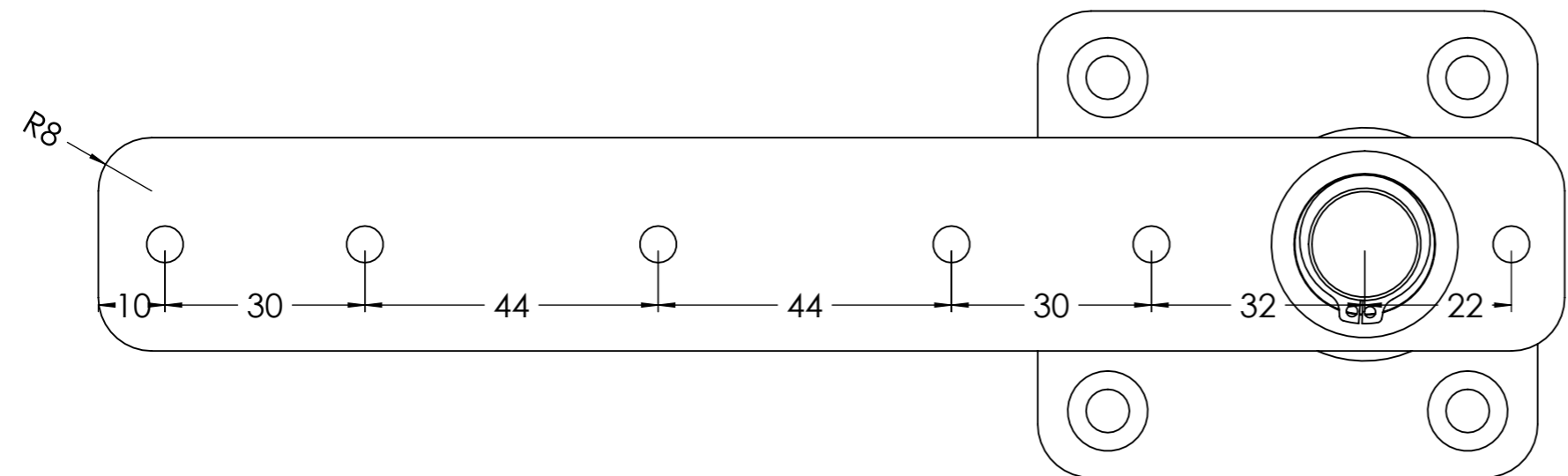
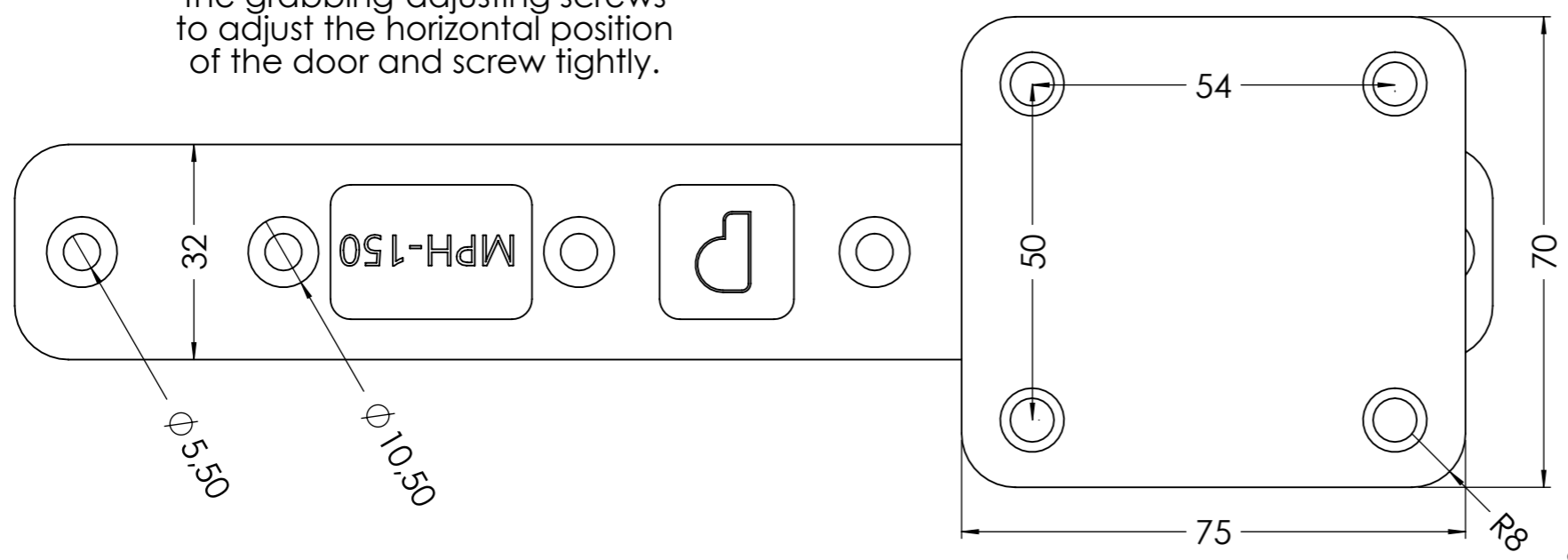
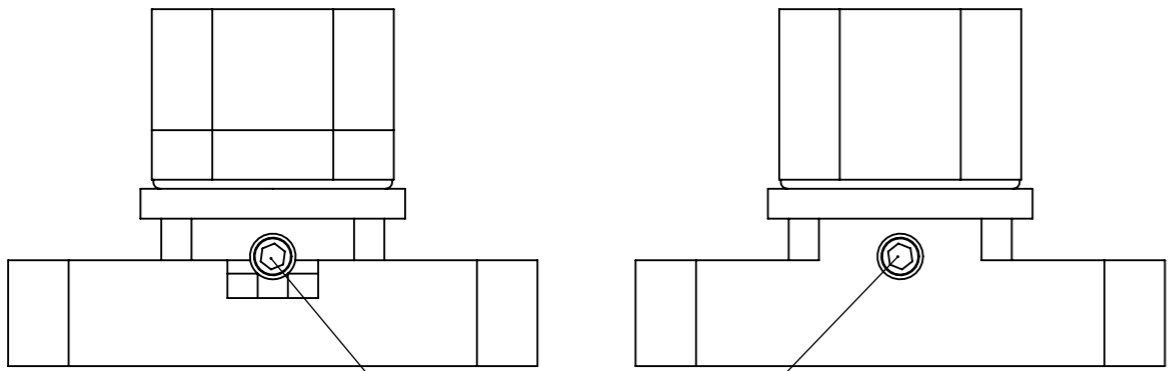
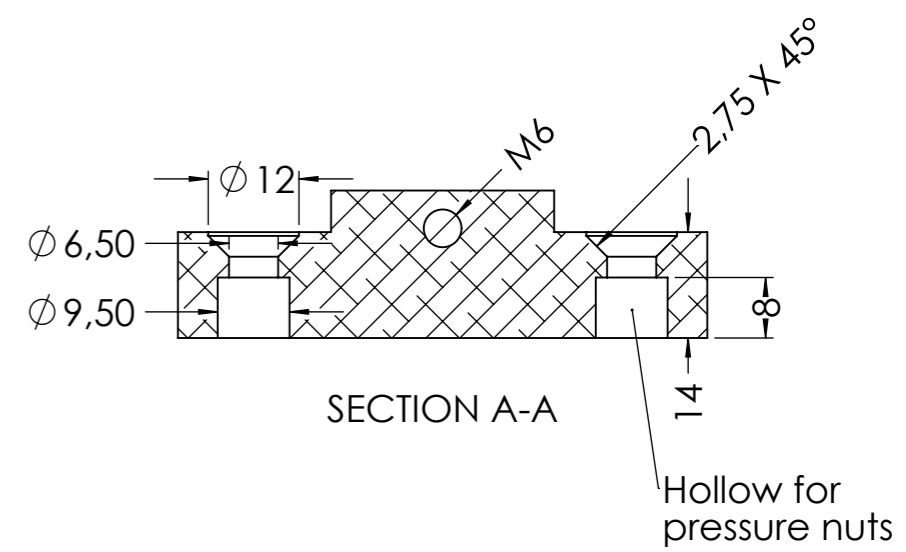
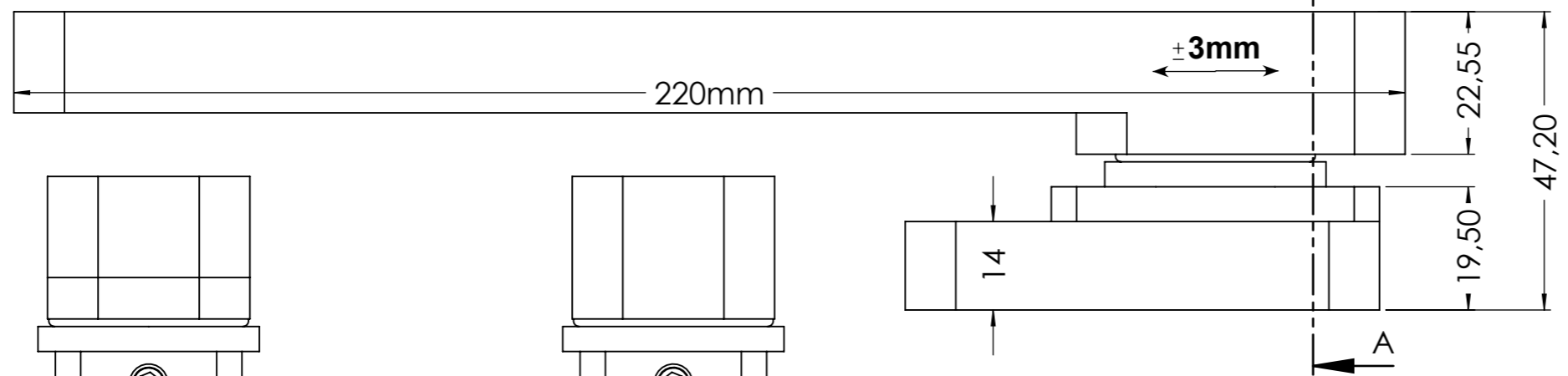



# HINGE PIVOT - MPH-150



SCALE 1 : 2

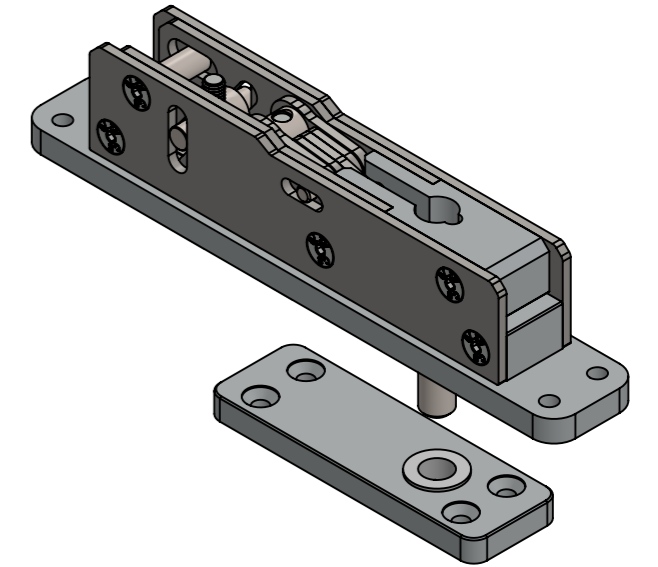
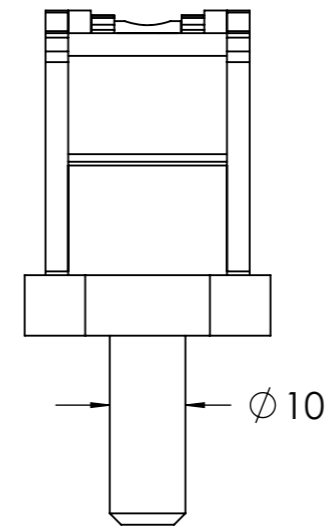
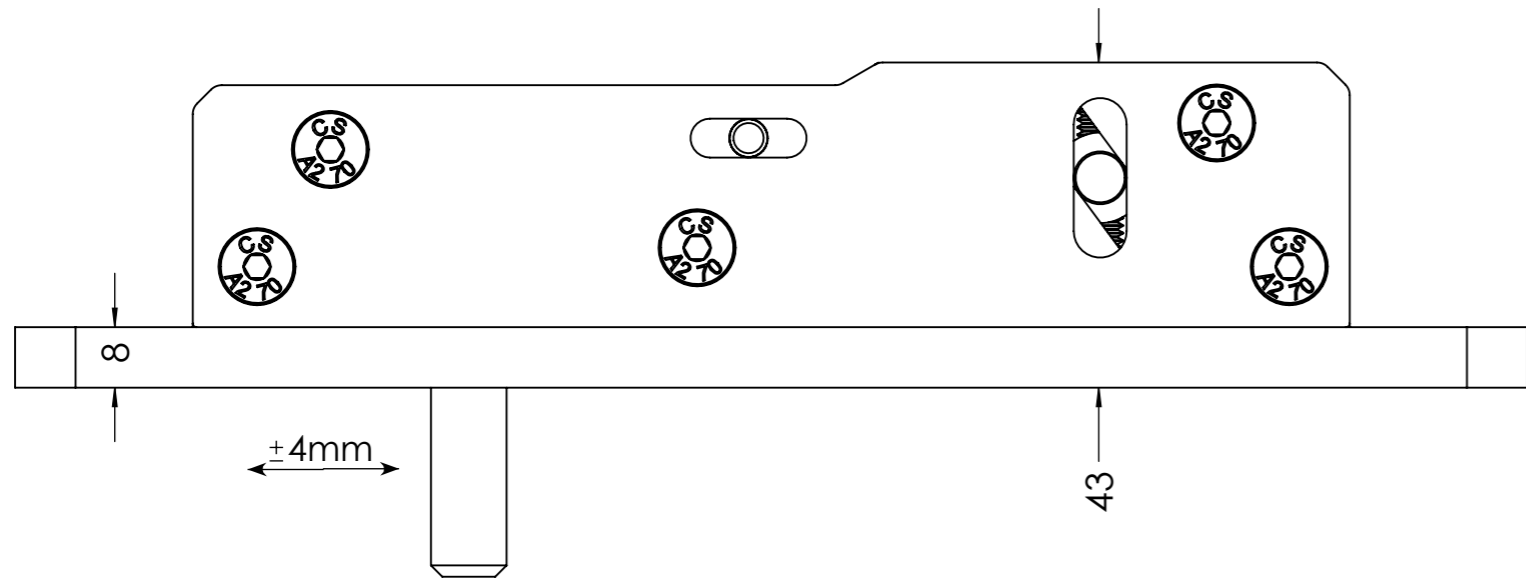


Copyright Panidis SA. All rights reserved.

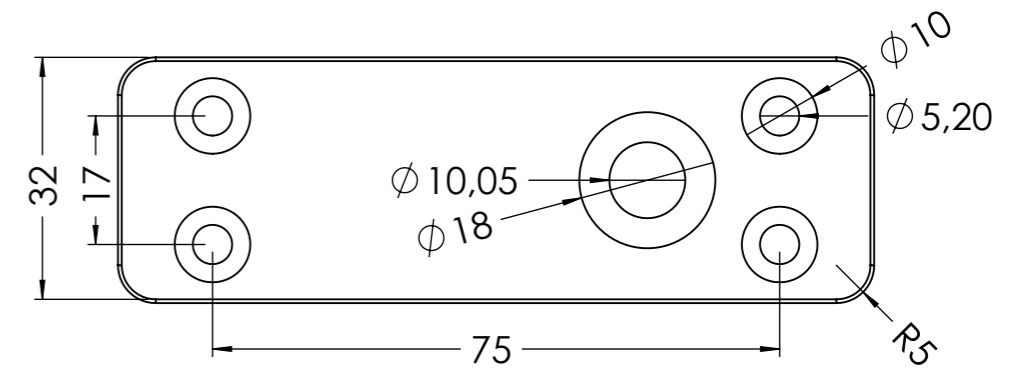
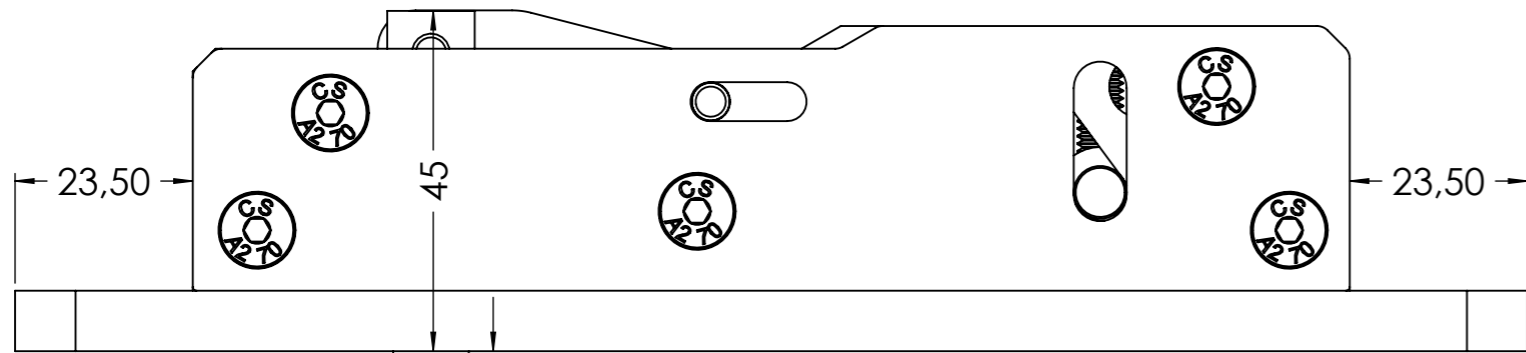
 <p><b>PANIDIS</b> MAKEDONIKI • ALUMINIUM SYSTEM COMPONENTS</p>	
<p><b>PANIDIS S.A</b> PRODUCTION OF ALUMINIUM RAILING SYSTEMS &amp; ACCESSORIES TEL: +30 2310 780352-784 519, FAX: +30 2310 783764 www.panidis-sa.com e-mail: info@panidis-sa.com</p>	
DWG NO.	
<h2>MPH-151</h2>	
MATERIAL: ANODIZED ALUMINIUM	WEIGHT:
REVISION:	DATE: 30/11/2020
DO NOT SCALE DRAWING	
UNLESS OTHERWISE SPECIFIED: DIMENSIONS ARE IN MILLIMETERS	
SHEET 1 OF 9	
TOLERANCES: LINEAR:	ANGULAR:
SCALE: 1:1	

A3

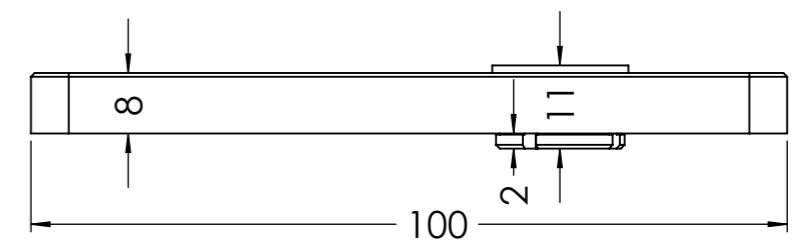
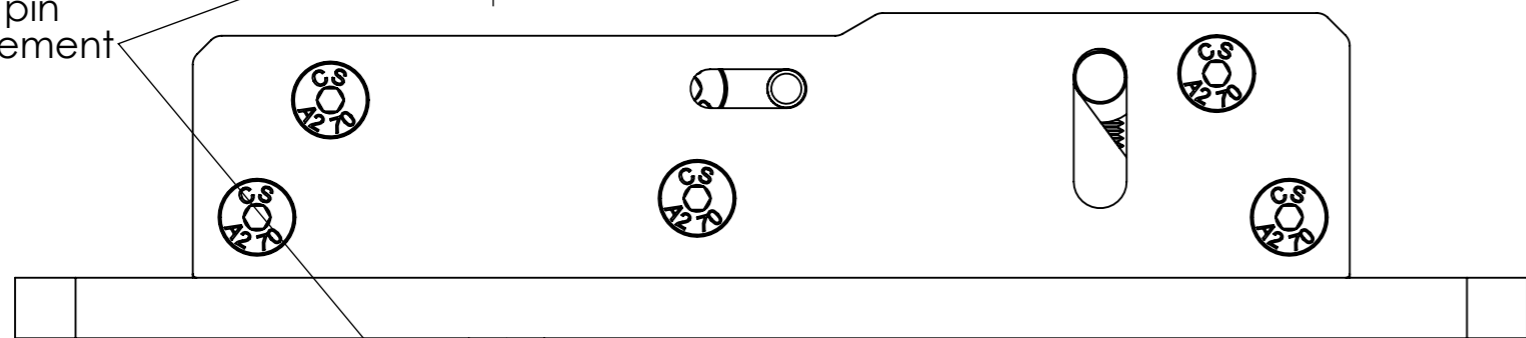
# HINGE PIVOT - MPH-150



SCALE 1 : 2



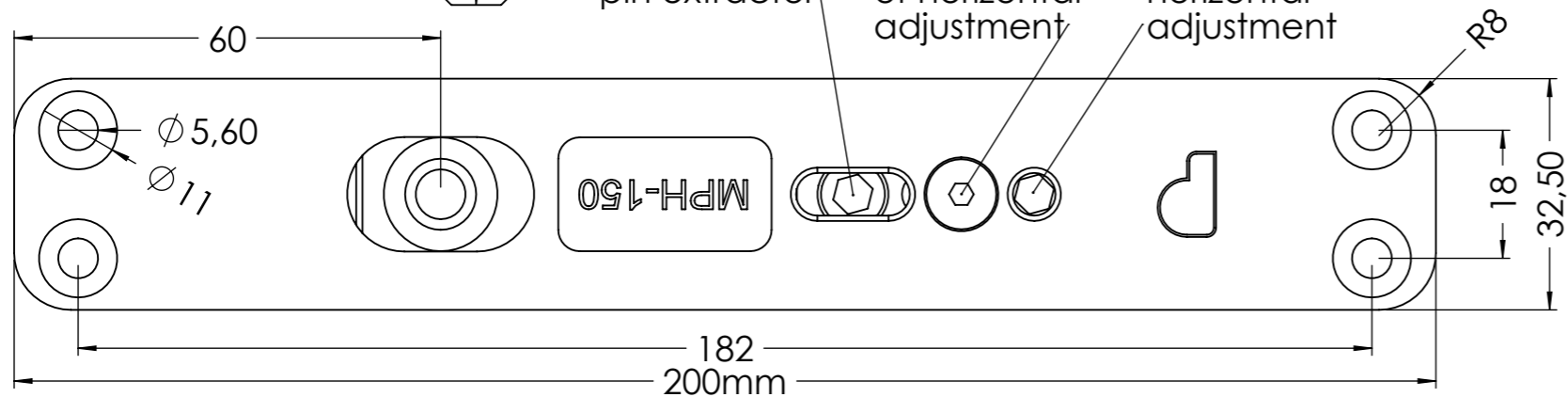
max pin movement



STEP 1  
screw of  
pin extractor

STEP 3  
locking screw  
of horizontal  
adjustment

STEP 2  
screw of  
horizontal  
adjustment



**PANIDIS**  
MAKEDONIKI • ALUMINIUM SYSTEM COMPONENTS

PANIDIS S.A.  
PRODUCTION OF ALUMINIUM RAILING SYSTEMS & ACCESSORIES  
TEL: +30 2310 780352-784 519, FAX: +30 2310 783764  
www.panidis-sa.com e-mail: info@panidis-sa.com

DWG NO.

**MPH-152**

MATERIAL: ANODIZED ALUMINIUM

WEIGHT:

REVISION: DATE: 30/11/2020

DO NOT SCALE DRAWING

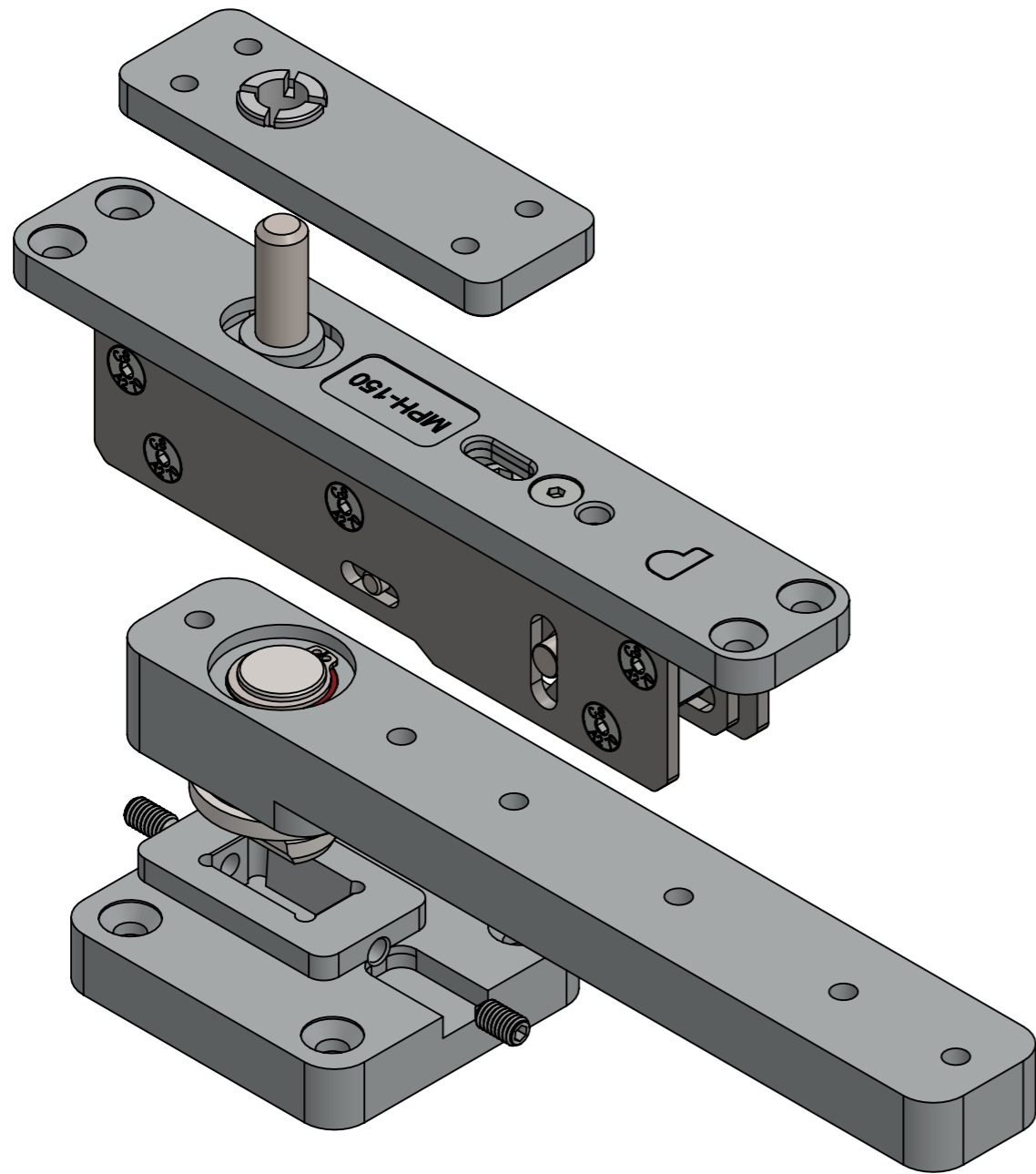
UNLESS OTHERWISE SPECIFIED:  
DIMENSIONS ARE IN MILLIMETERS

SHEET 3 OF 9

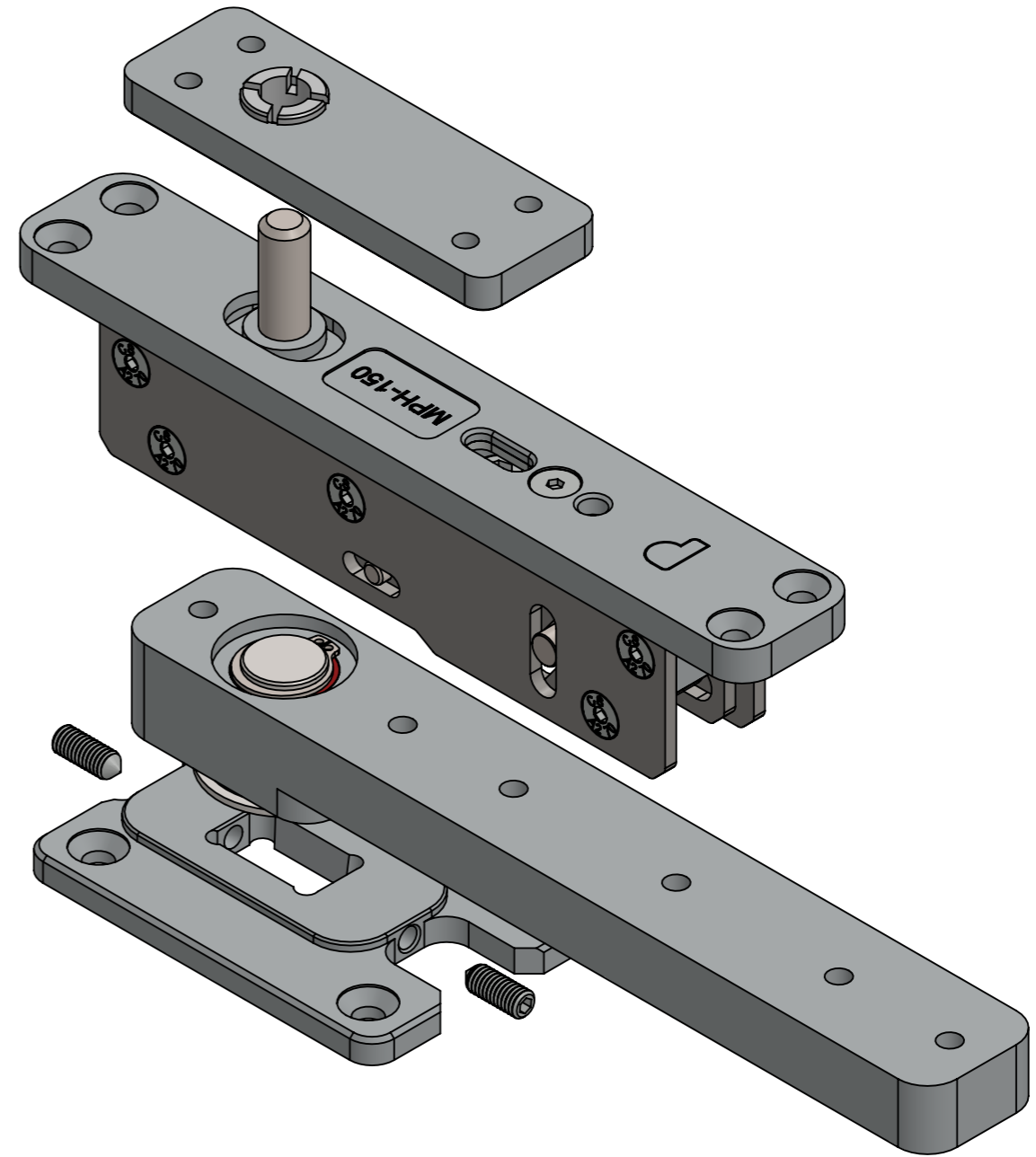
TOLERANCES: LINEAR: ANGULAR:

SCALE: 1:1

A3



**MPH-150**



**MPH-150S**



**PANIDIS S.A**  
 PRODUCTION OF ALUMINIUM RAILING SYSTEMS & ACCESSORIES  
 TEL: +30 2310 780352-784 519, FAX: +30 2310 783764  
 www.panidis-sa.com e-mail: info@panidis-sa.com

DWG NO. **MPH-150 & MPH-150S**  
**Overview**

<b>MATERIAL:</b> ANODIZED ALUMINIUM	WEIGHT:
REVISION:	DATE: 30/11/2020
UNLESS OTHERWISE SPECIFIED: DIMENSIONS ARE IN MILLIMETERS	DO NOT SCALE DRAWING
TOLERANCES: LINEAR: ANGULAR:	SHEET 4 OF 9 SCALE: