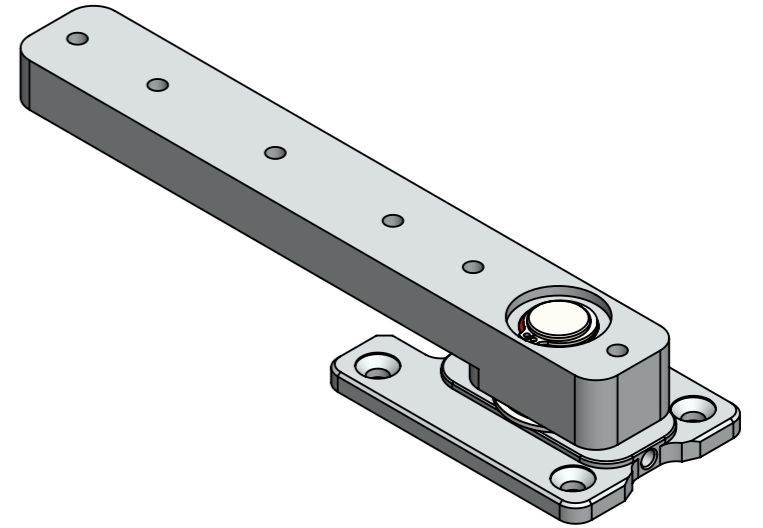
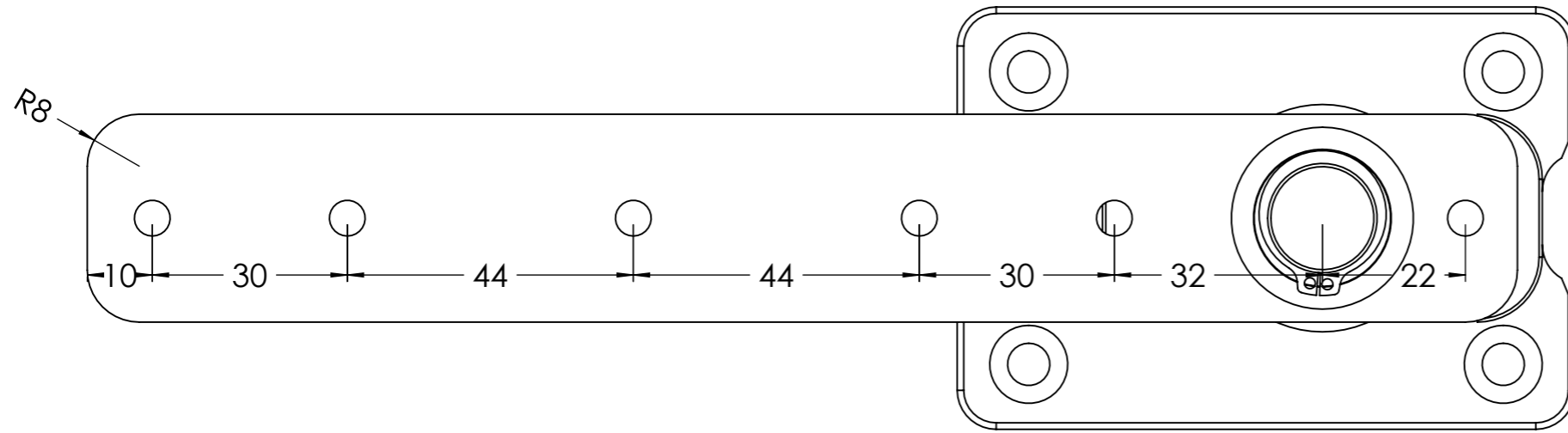
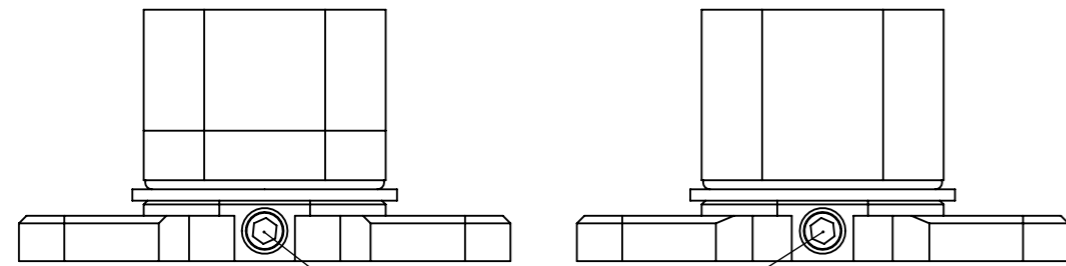
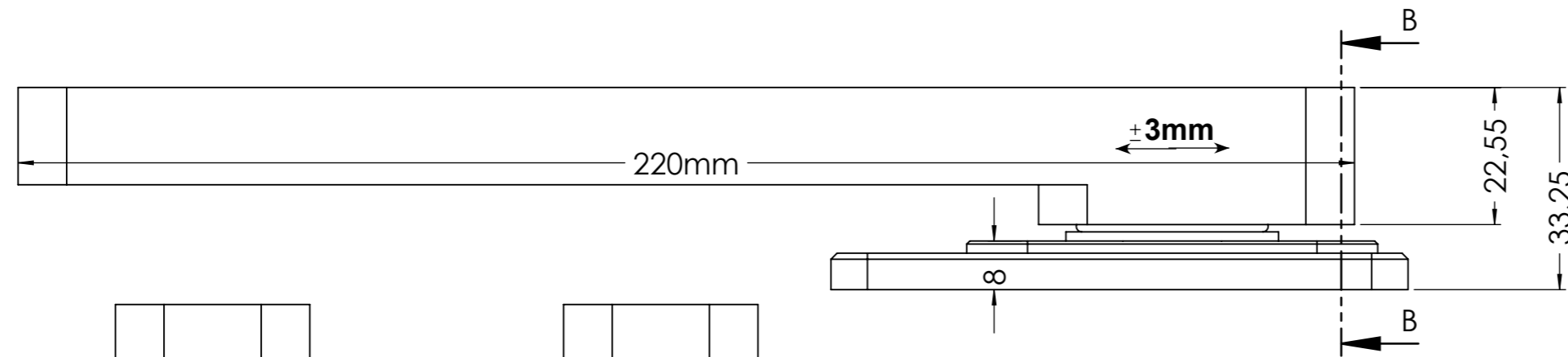


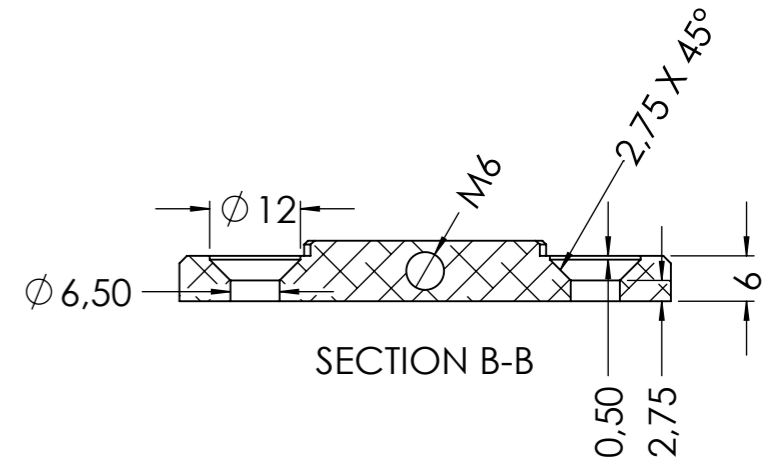
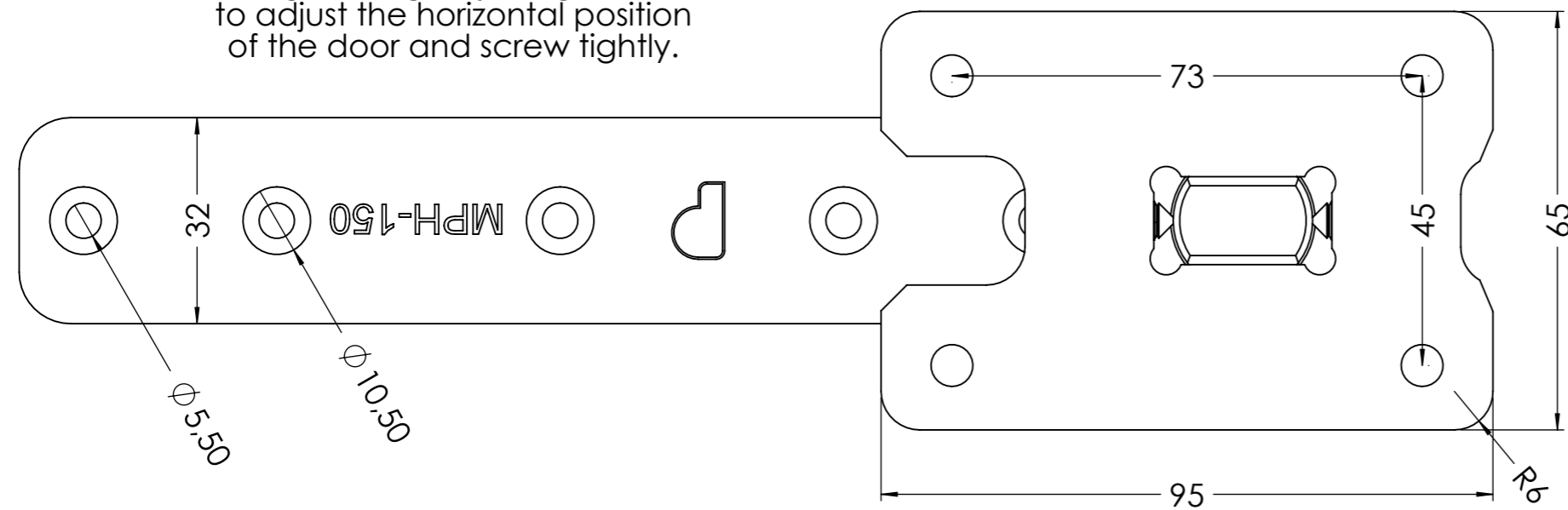
HINGE PIVOT - MPH-150 Slim Base




SCALE 1 : 2

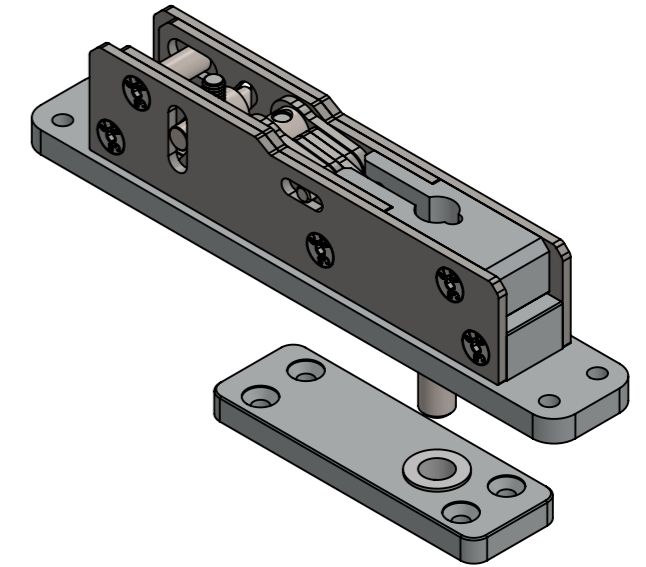
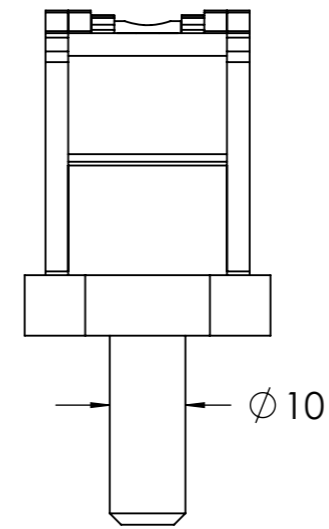
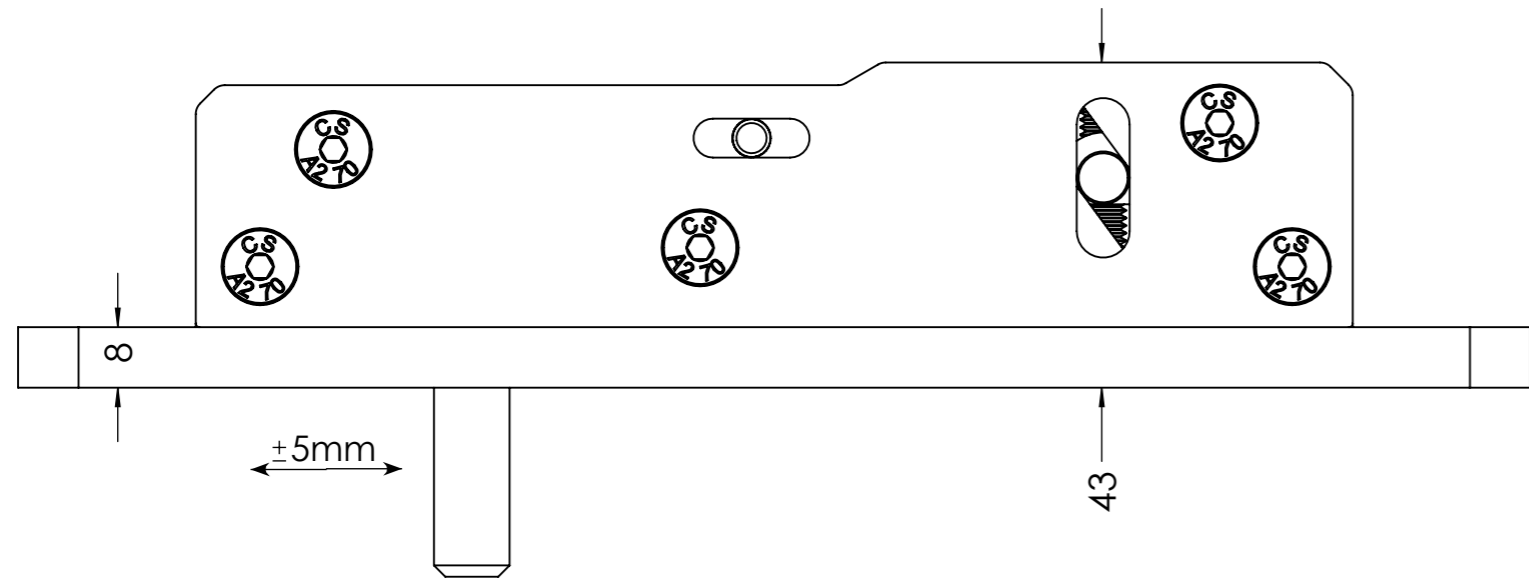


tighten-untighten
the grabbing-adjusting screws
to adjust the horizontal position
of the door and screw tightly.

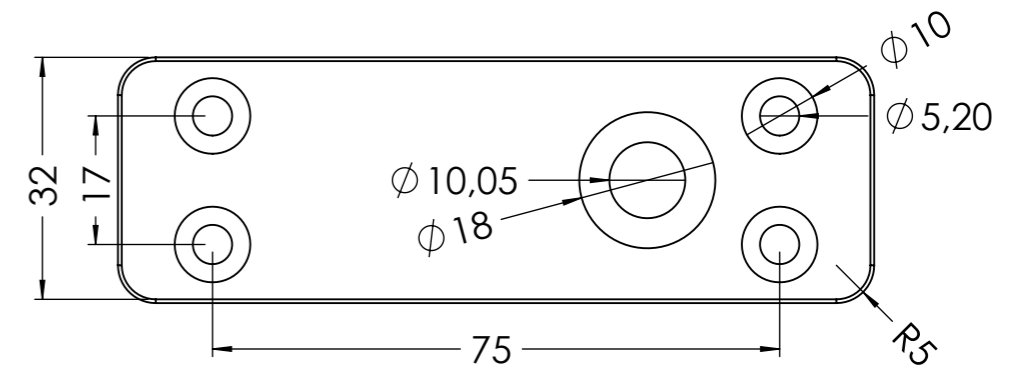
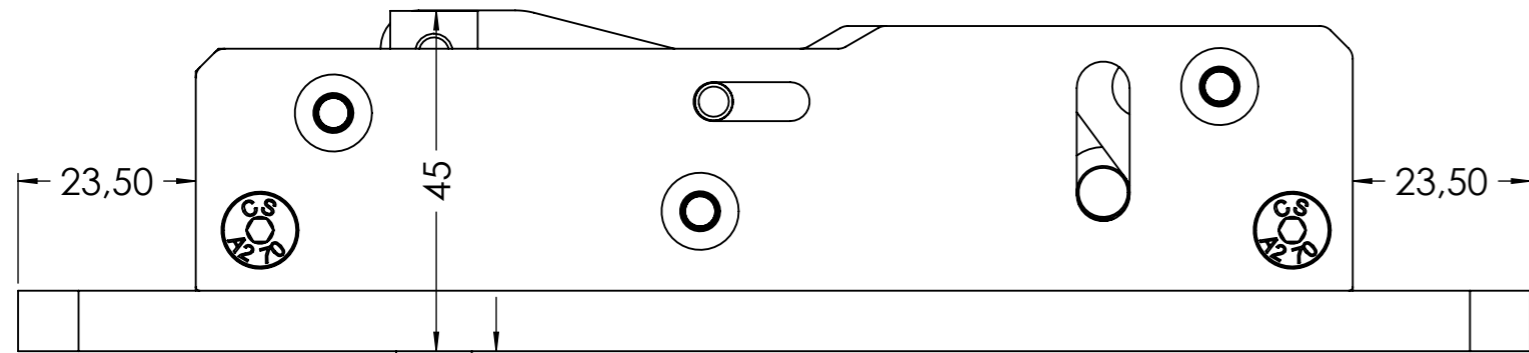


 <p>PANIDIS MAKEDONIKI • ALUMINIUM SYSTEM COMPONENTS</p>	
<p>PANIDIS S.A PRODUCTION OF ALUMINIUM RAILING SYSTEMS & ACCESSORIES TEL: +30 2310 780352-784 519, FAX: +30 2310 783764 www.panidis-sa.com e-mail: info@panidis-sa.com</p>	
DWG NO.	
<h2>MPH-151-S</h2>	
MATERIAL: ANODIZED ALUMINIUM	WEIGHT:
REVISION:	DATE: 15/6/2021
UNLESS OTHERWISE SPECIFIED: DIMENSIONS ARE IN MILLIMETERS	
TOLERANCES:	LINEAR: DO NOT SCALE DRAWING
	ANGULAR: SHEET 2 OF 9
	SCALE: 1:1

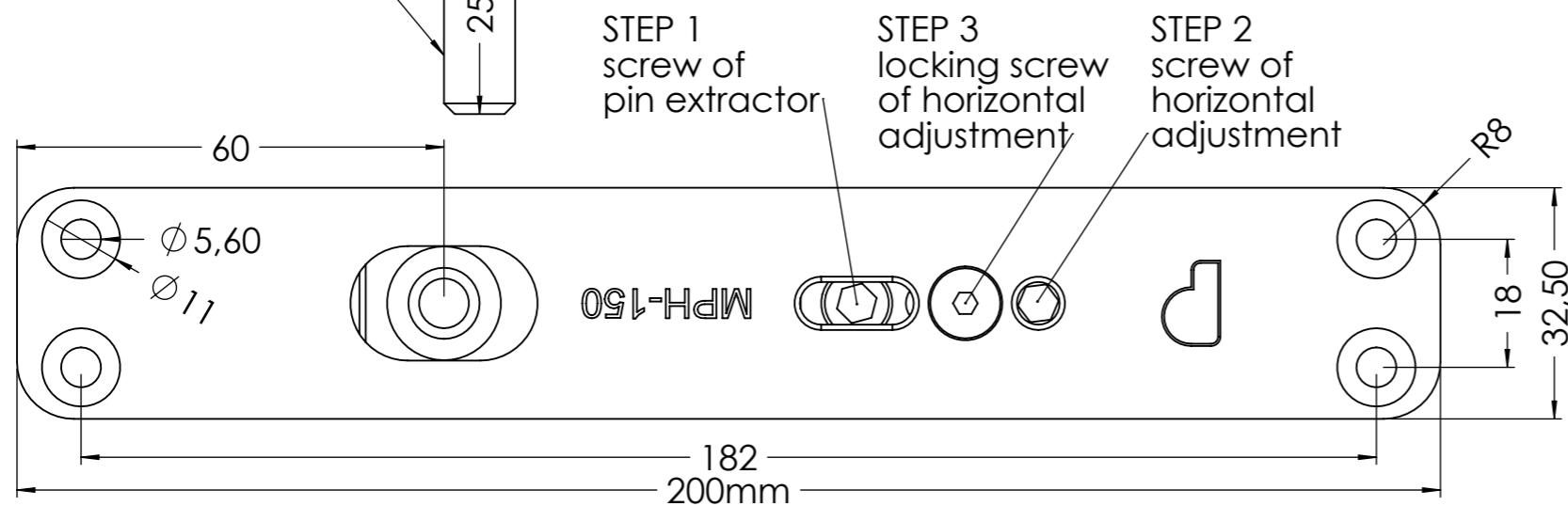
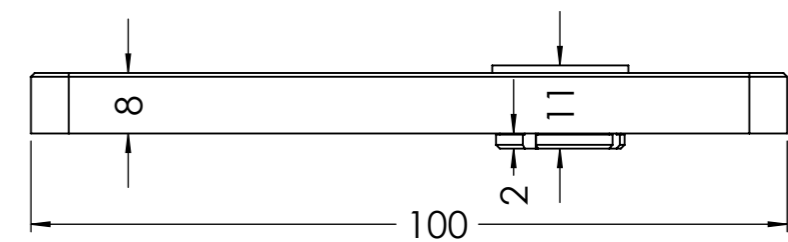
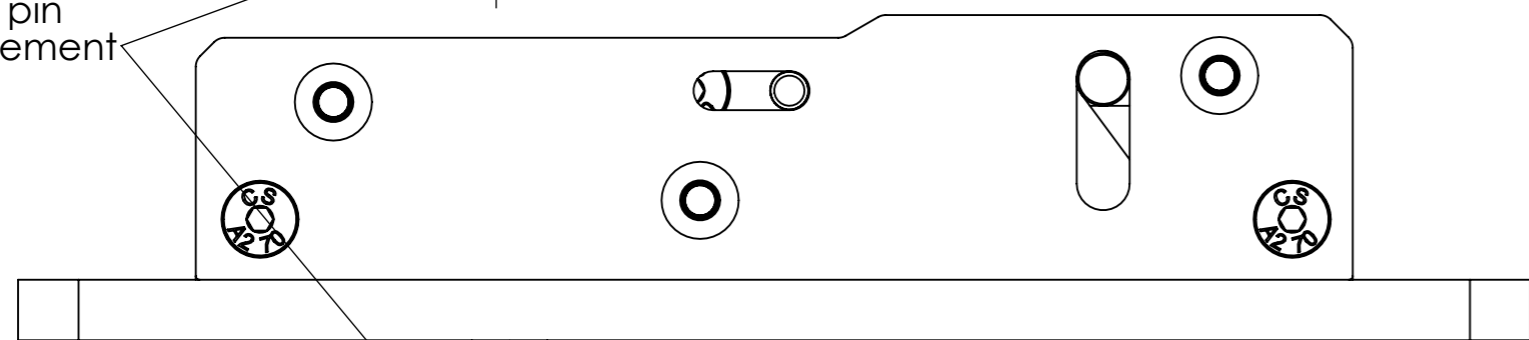
HINGE PIVOT - MPH-150



SCALE 1 : 2



max pin movement



STEP 1
screw of
pin extractor

STEP 3
locking screw
of horizontal
adjustment

STEP 2
screw of
horizontal
adjustment

PANIDIS
MAKEDONIKI • ALUMINIUM SYSTEM COMPONENTS

PANIDIS S.A.
PRODUCTION OF ALUMINIUM RAILING SYSTEMS & ACCESSORIES
TEL: +30 2310 780352-784 519, FAX: +30 2310 783764
www.panidis-sa.com e-mail: info@panidis-sa.com

DWG NO.

MPH-152

MATERIAL: ANODIZED ALUMINIUM

WEIGHT:

REVISION: DATE: 15/6/2021

DO NOT SCALE DRAWING

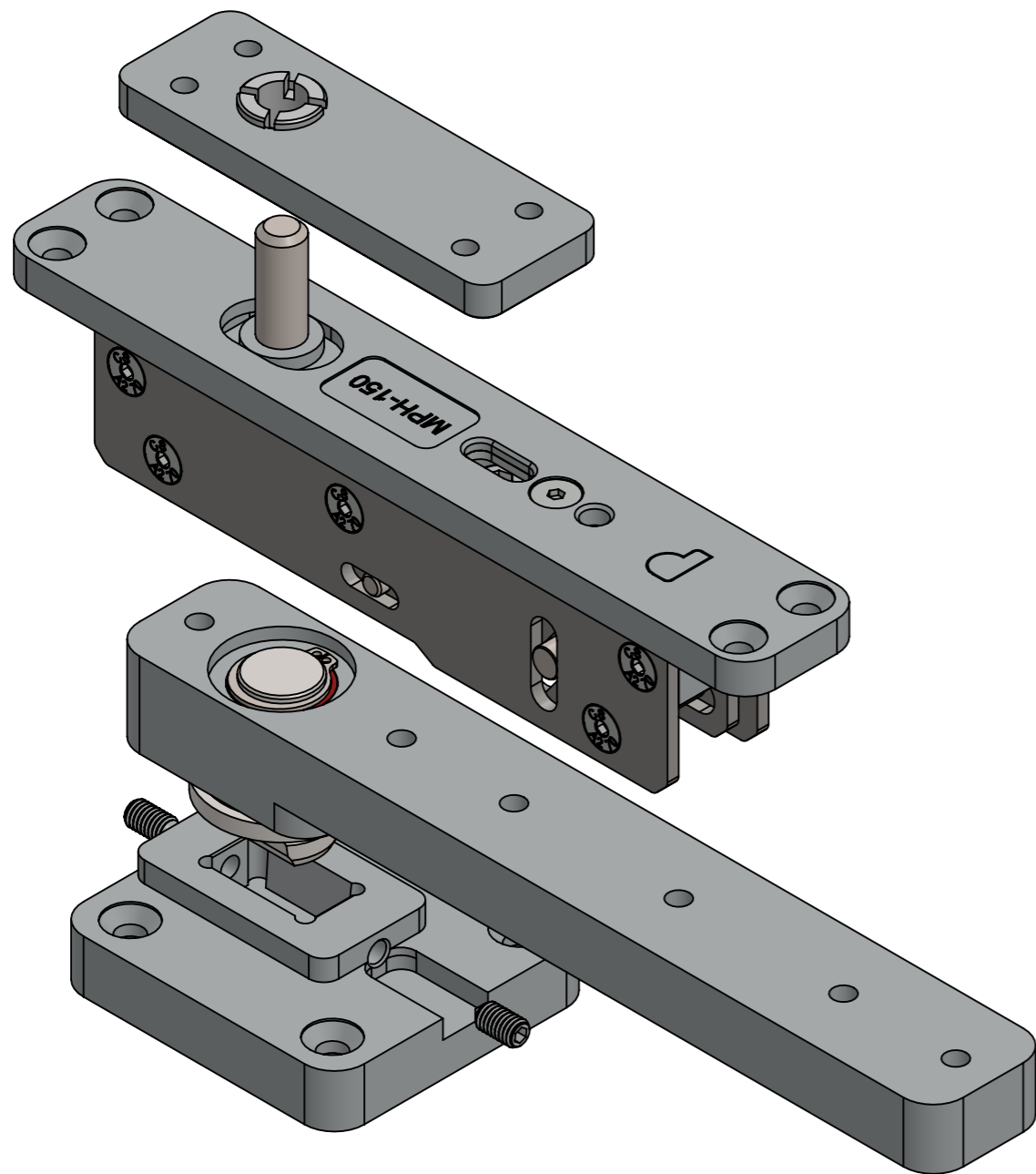
UNLESS OTHERWISE SPECIFIED:
DIMENSIONS ARE IN MILLIMETERS

SHEET 3 OF 9

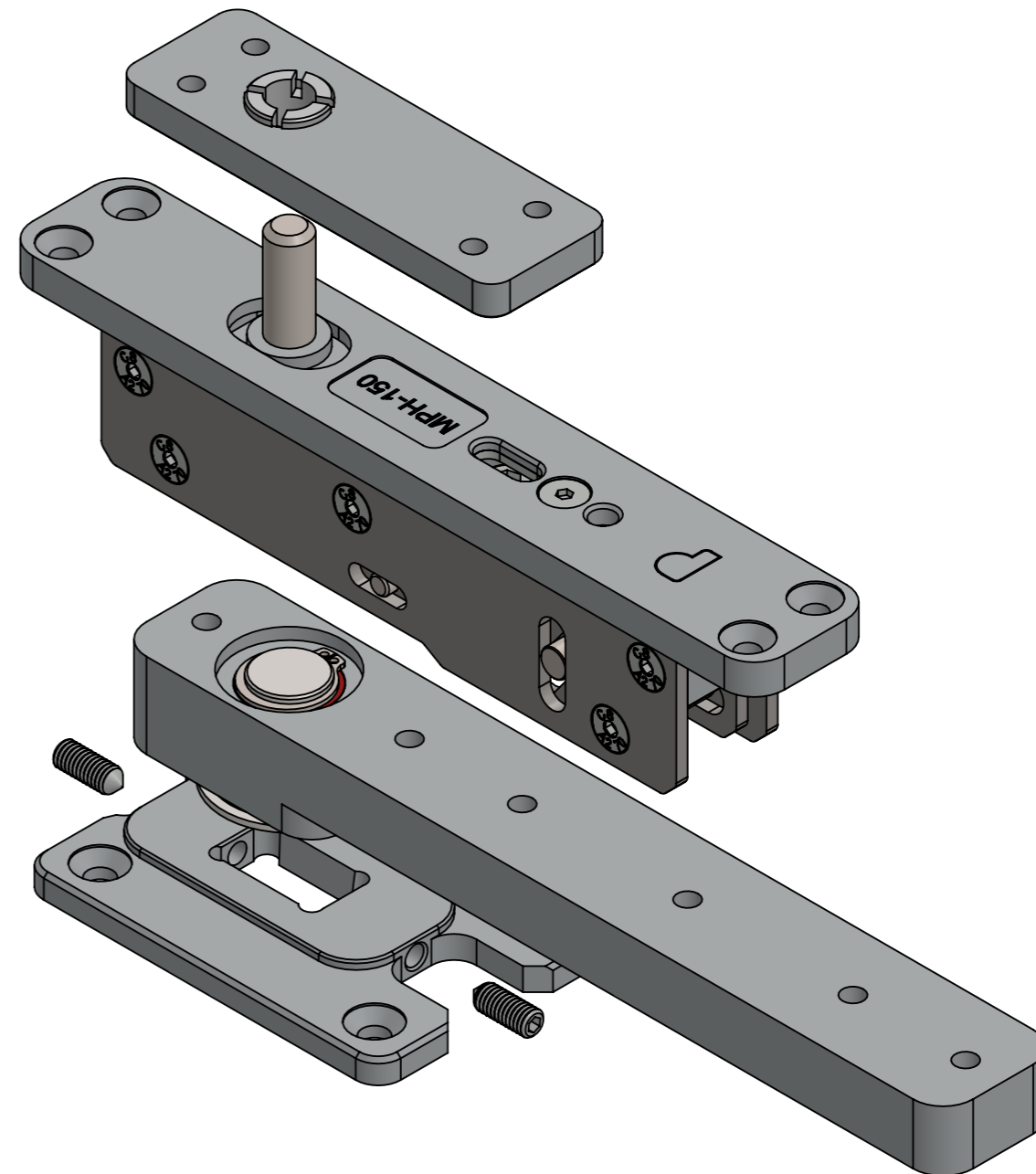
TOLERANCES: LINEAR: ANGULAR:

SCALE: 1:1

A3



MPH-150



MPH-150S

PANIDIS 
 MAKEDONIKI • ALUMINIUM SYSTEM COMPONENTS

PANIDIS S.A
 PRODUCTION OF ALUMINIUM RAILING SYSTEMS & ACCESSORIES
 TEL: +30 2310 780352-784 519, FAX: +30 2310 783764
 www.panidis-sa.com e-mail: info@panidis-sa.com

DWG NO. **MPH-150 & MPH-150S**
Overview

MATERIAL: ANODIZED ALUMINIUM	WEIGHT:
REVISION:	DATE: 30/11/2020
UNLESS OTHERWISE SPECIFIED: DIMENSIONS ARE IN MILLIMETERS	DO NOT SCALE DRAWING
TOLERANCES: LINEAR: ANGULAR:	SHEET 4 OF 9 SCALE:

A3