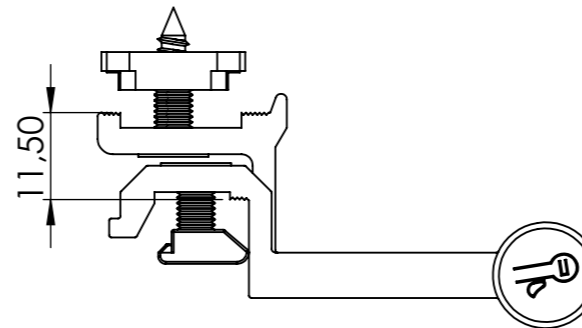
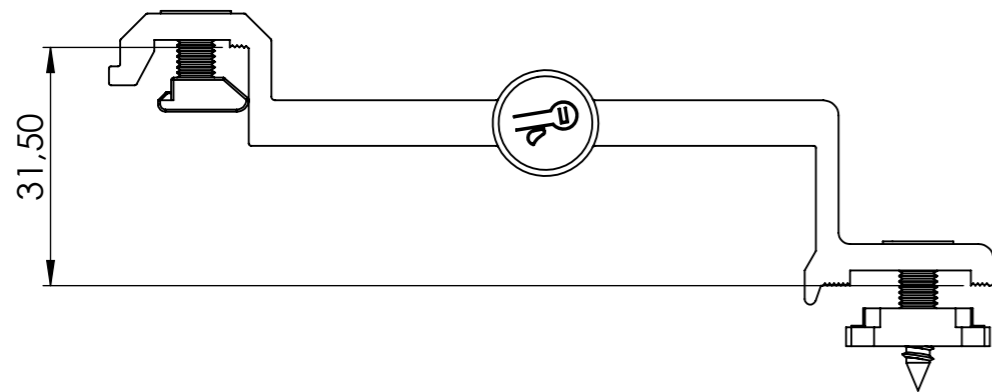
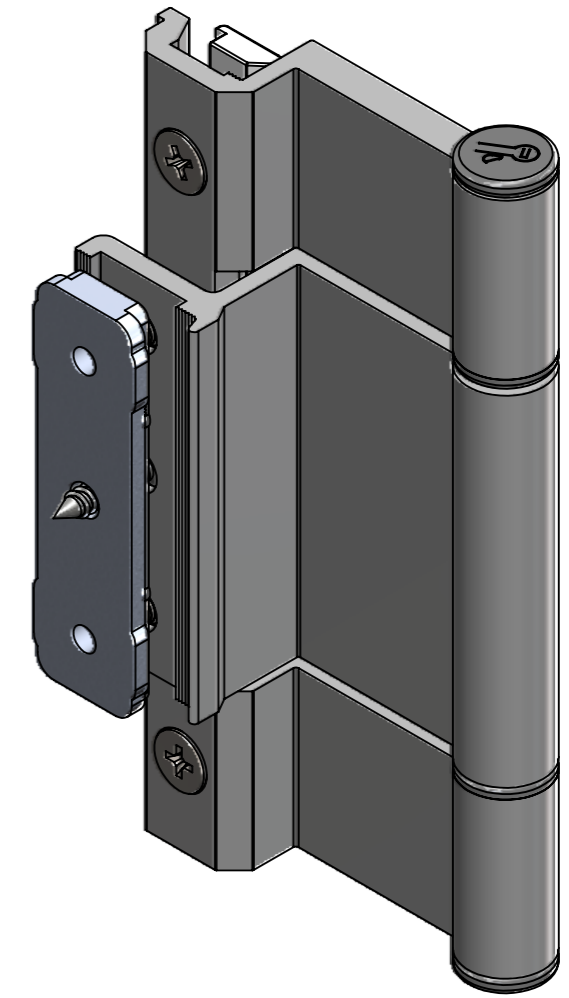
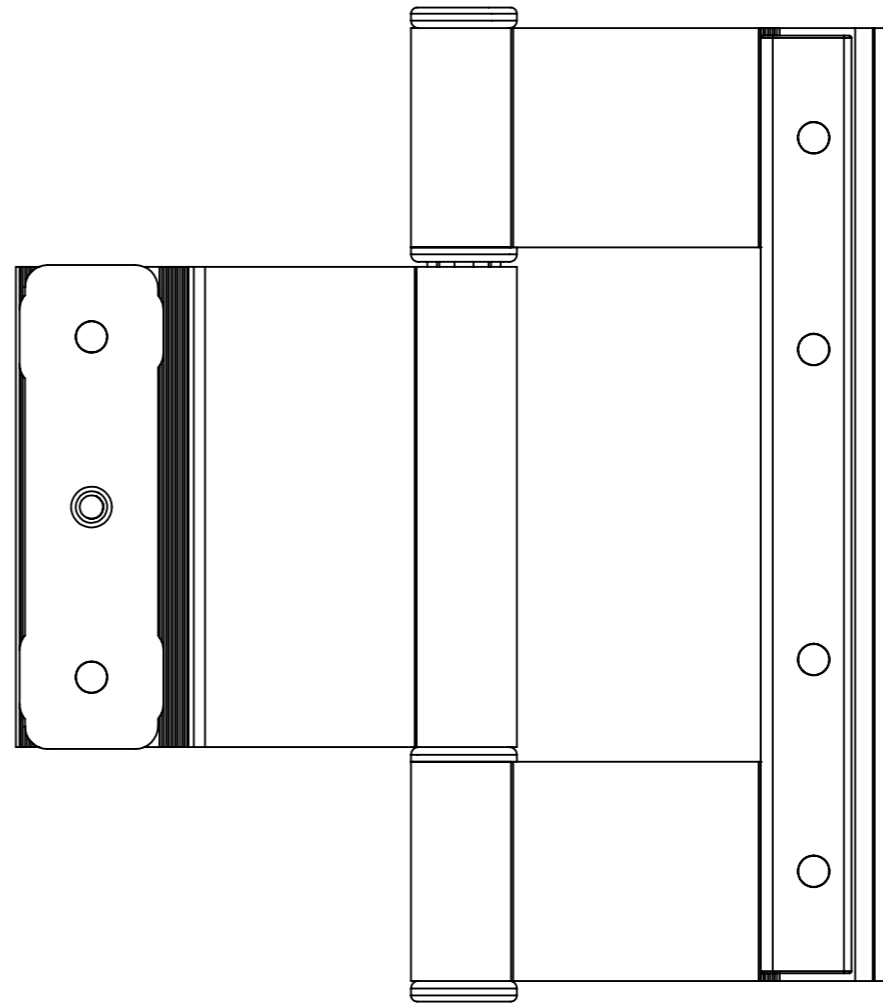
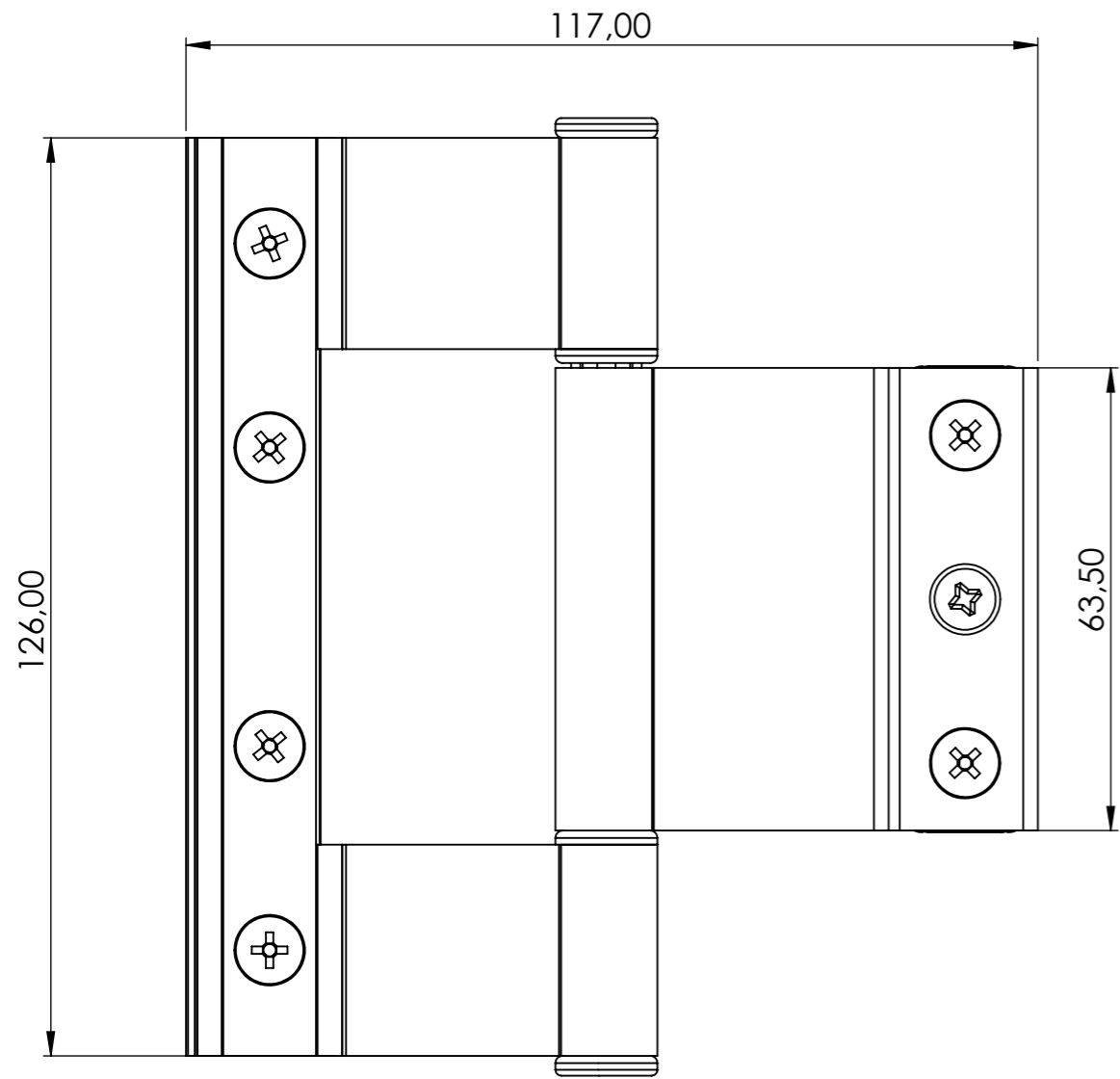
 <p>PANIDIS ΠΑΡΑΓΩΓΗ ΑΛΥΣΗΜΑΤΩΝ ΚΑΙ ΕΞΑΡΤΗΜΑΤΩΝ</p>	
<p>PANIDIS S.A. PRODUCTION OF ALUMINUM RAILING SYSTEMS & ACCESSORIES TEL: +30 2310 780352-784 519, FAX: +30 2310 783764 www.panidis-sa.com e-mail: info@panidis-sa.com</p>	
<p>DWG NO. MM-10-52</p>	
MATERIAL:	WEIGHT:
REVISION:	DO NOT SCALE DRAWING
<p>UNLESS OTHERWISE SPECIFIED: DIMENSIONS ARE IN MILLIMETERS</p>	
TOLERANCES:	<p>LINEAR: ANGULAR:</p>



PANIDIS 
 ΠΑΝΙΔΙΣ - ΑΛΥΜΙΝΙΟΥ ΣΥΣΤΗΜΑ ΕΚΠΟΜΠΗΣ

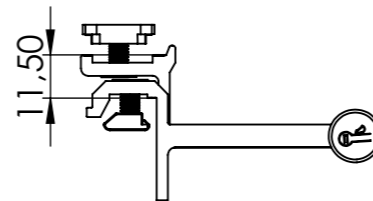
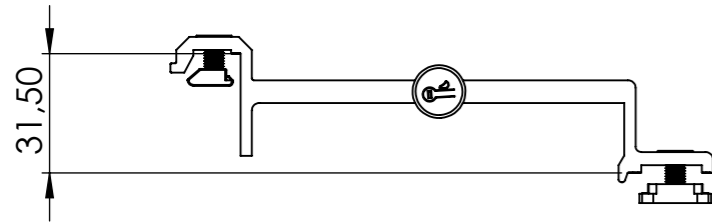
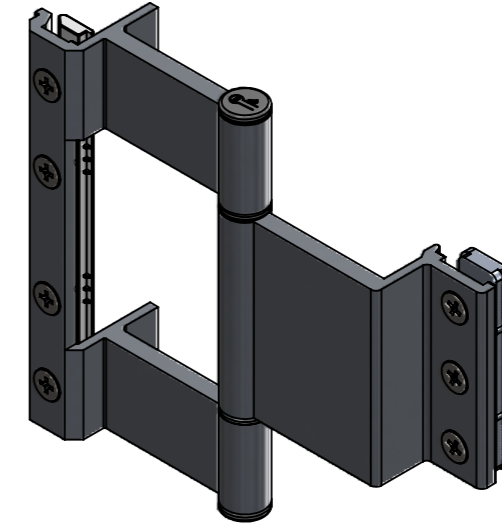
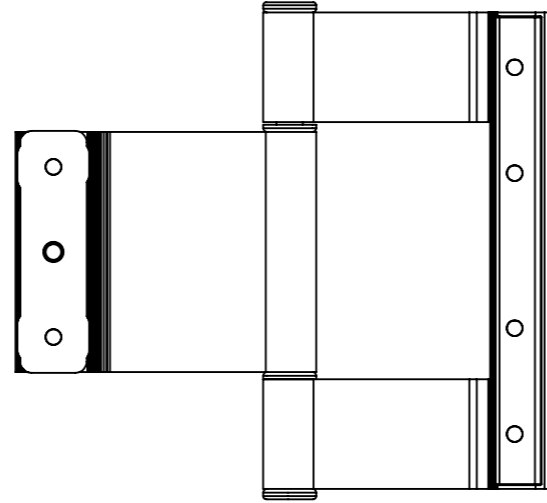
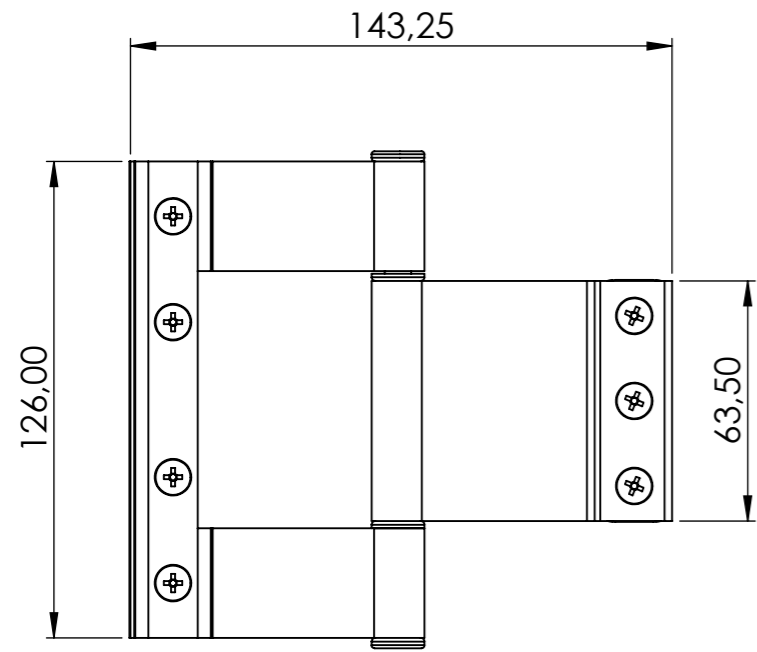
PANIDIS S.A.
 PRODUCTION OF ALUMINUM RAILING SYSTEMS & ACCESSORIES
 TEL: +30 2310 780352-784 519, FAX: +30 2310 783764
 www.panidis-sa.com e-mail: info@panidis-sa.com

DWG NO.

MM-10-72

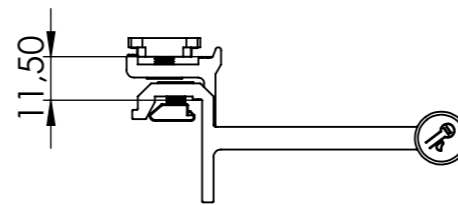
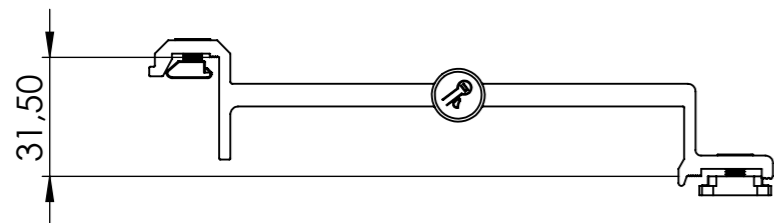
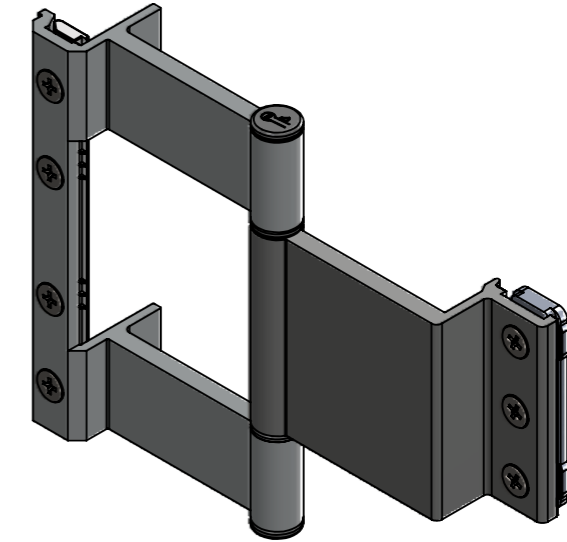
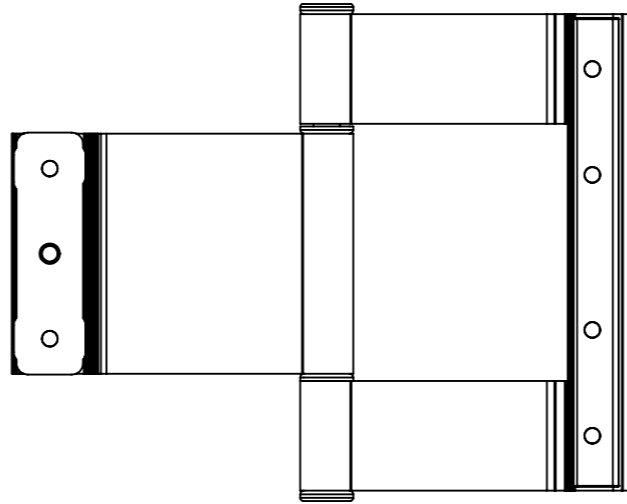
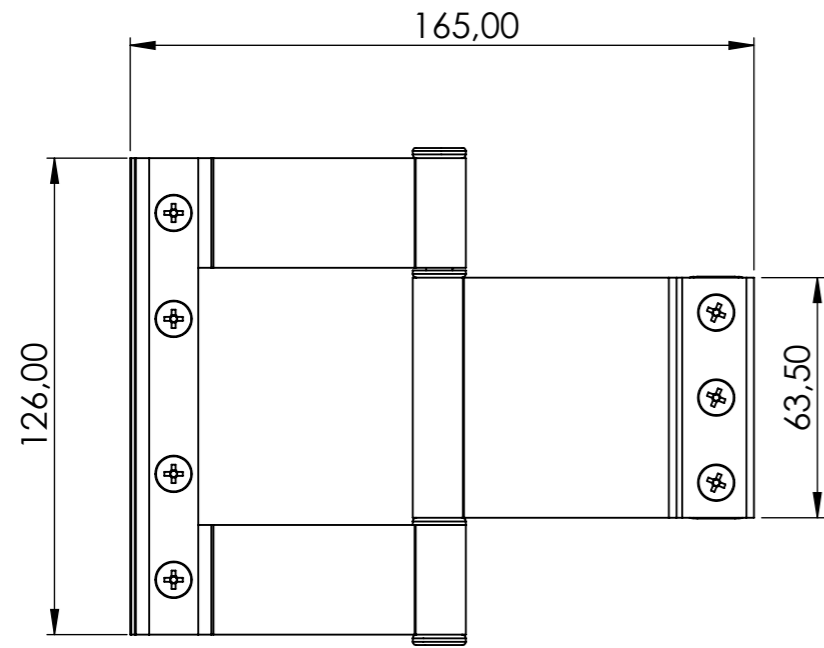
MATERIAL:	WEIGHT:
DATE: 20/11/2023	DO NOT SCALE DRAWING
UNLESS OTHERWISE SPECIFIED: DIMENSIONS ARE IN MILLIMETERS	SHEET 1 OF 1
TOLERANCES: LINEAR: ANGULAR:	SCALE: 1:1

A3



PANIDIS S.A
 PRODUCTION OF ALUMINUM RAILING SYSTEMS & ACCESSORIES
 TEL: +30 2310 780352-784 519, FAX: +30 2310 783764
 www.panidis-sa.com e-mail: info@panidis-sa.com

DWG NO.		MM-10-97	
MATERIAL:	WEIGHT:		
REVISION:	DATE: 16/11/2023	DO NOT SCALE DRAWING	
UNLESS OTHERWISE SPECIFIED: DIMENSIONS ARE IN MILLIMETERS		SHEET 1 OF 1	
TOLERANCES:	LINEAR: ANGULAR:	SCALE: 1:2	A3



PANIDIS 
 ΠΑΝΙΔΙΣ - ΑΛΥΜΙΝΙΟ ΣΥΣΤΗΜΑ ΕΞΑΡΤΗΜΑΤΩΝ

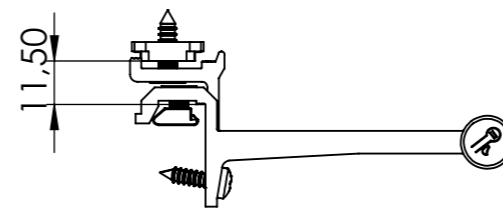
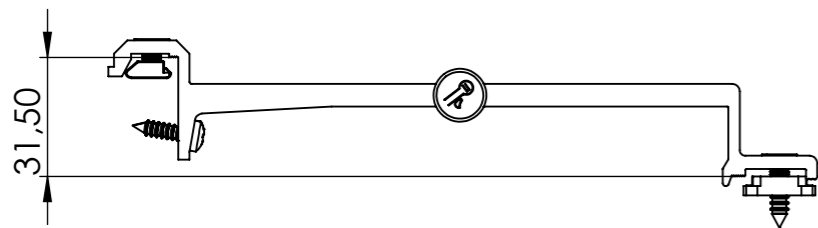
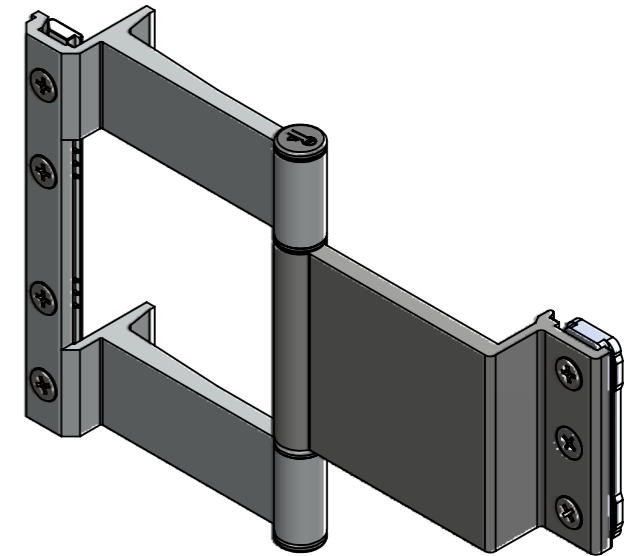
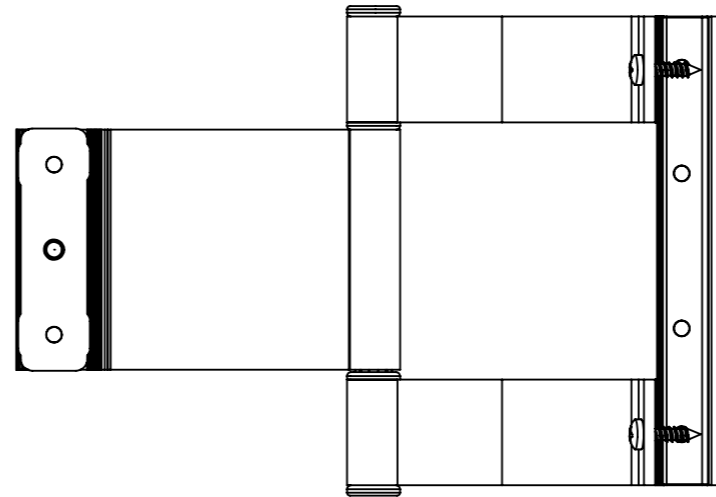
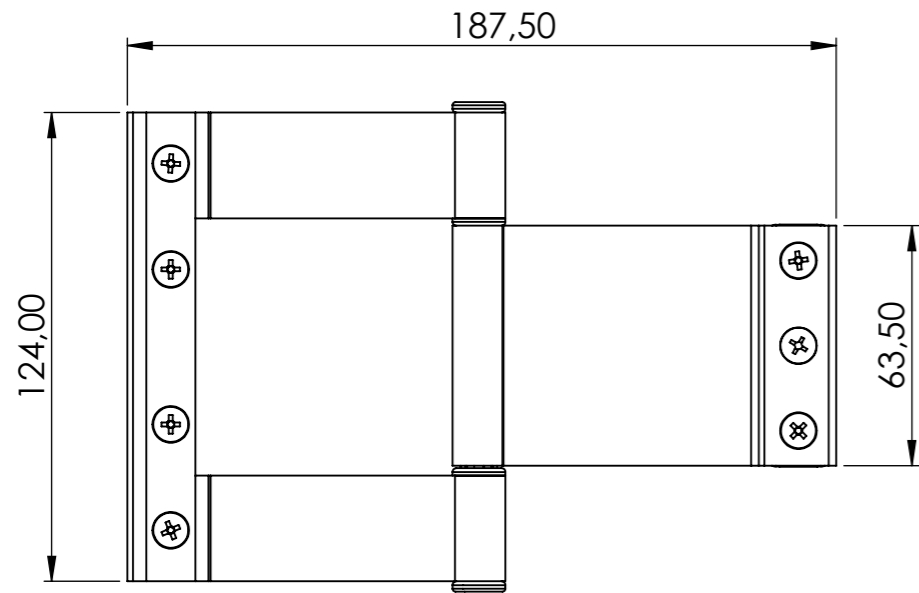
PANIDIS S.A
 PRODUCTION OF ALUMINUM RAILING SYSTEMS & ACCESSORIES
 TEL: +30 2310 780352-784 519, FAX: +30 2310 783764
 www.panidis-sa.com e-mail: info@panidis-sa.com

DWG NO.

MM-10-120

MATERIAL:	WEIGHT:
REVISION:	DATE: 17/11/2023
DO NOT SCALE DRAWING	
UNLESS OTHERWISE SPECIFIED: DIMENSIONS ARE IN MILLIMETERS	SHEET 1 OF 1
TOLERANCES: LINEAR: ANGULAR:	SCALE: 1:2

A3



PANIDIS 
 ΠΑΝΙΔΙΣ - ΑΛΥΜΙΝΙΟΥ ΣΥΣΤΗΜΑΤΩΝ ΚΑΙ ΠΡΟΣΘΕΤΩΝ

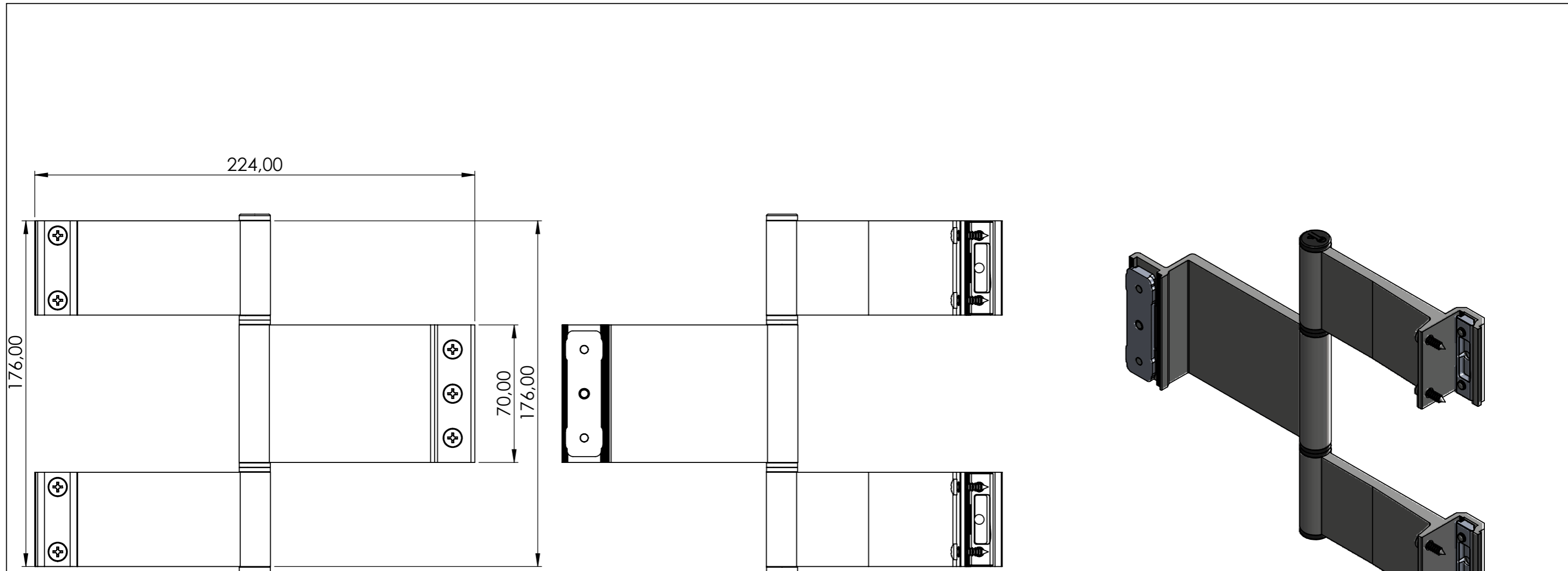
PANIDIS S.A.
 PRODUCTION OF ALUMINUM RAILING SYSTEMS & ACCESSORIES
 TEL: +30 2310 780352-784 519, FAX: +30 2310 783764
 www.panidis-sa.com e-mail: info@panidis-sa.com


DWG NO.

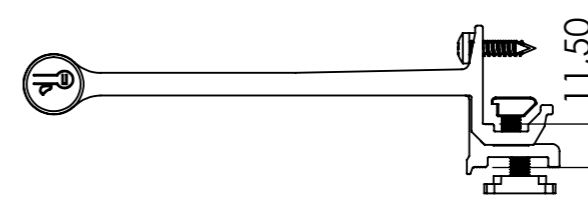
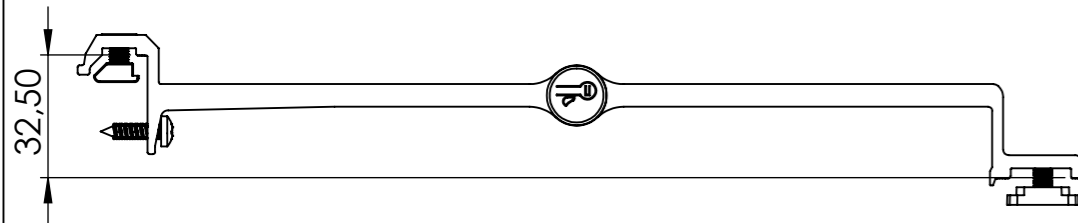
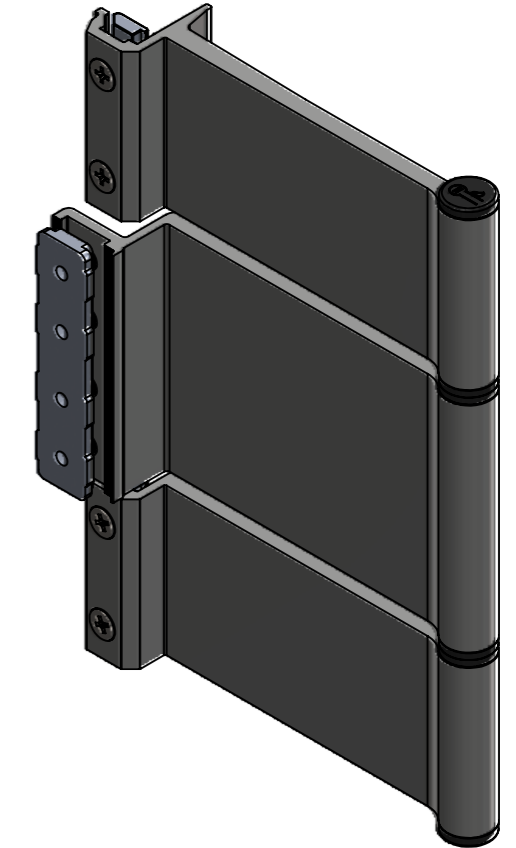
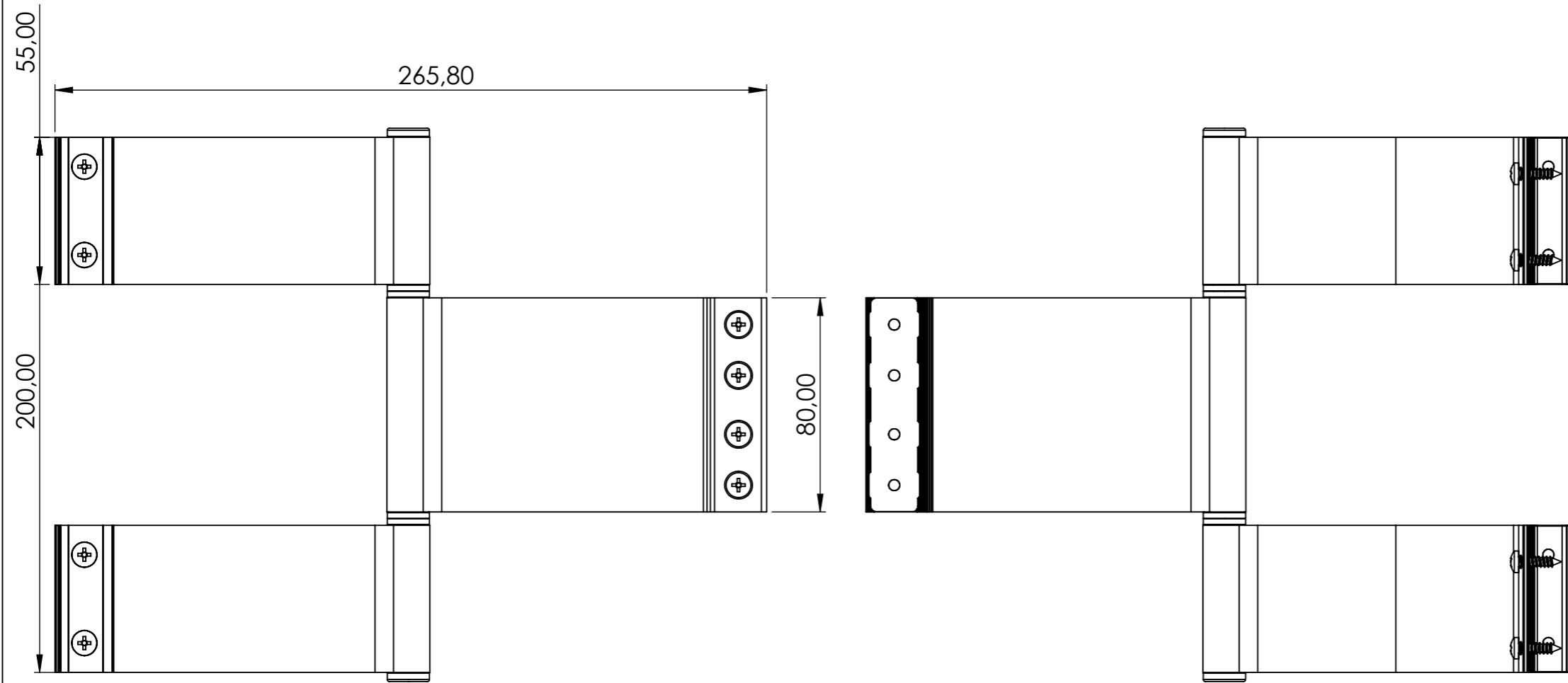
MM-10-142

MATERIAL:	WEIGHT:
REVISION:	DATE: 17/11/2023
DO NOT SCALE DRAWING	
UNLESS OTHERWISE SPECIFIED: DIMENSIONS ARE IN MILLIMETERS	SHEET 1 OF 1
TOLERANCES: LINEAR: ANGULAR:	SCALE: 1:2

A3

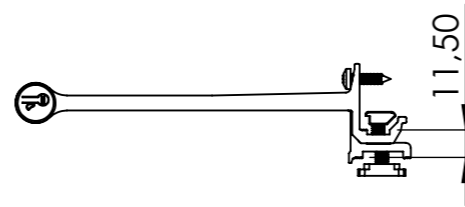
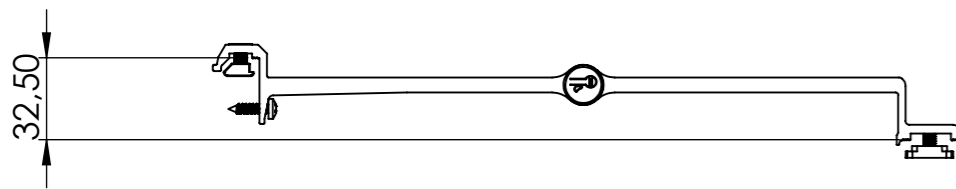
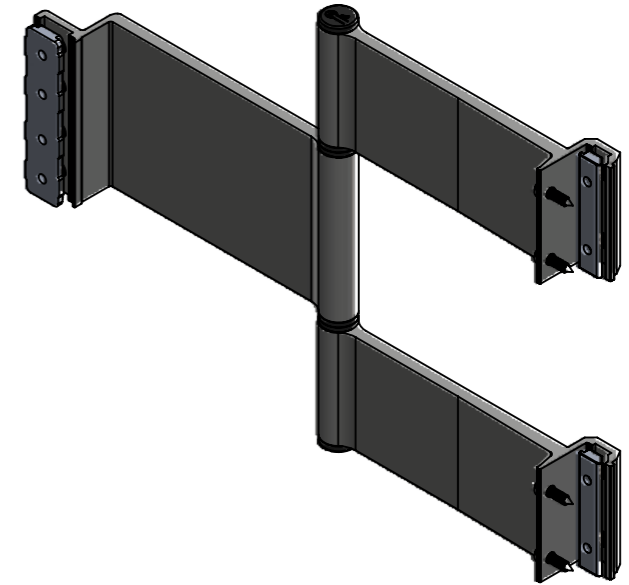
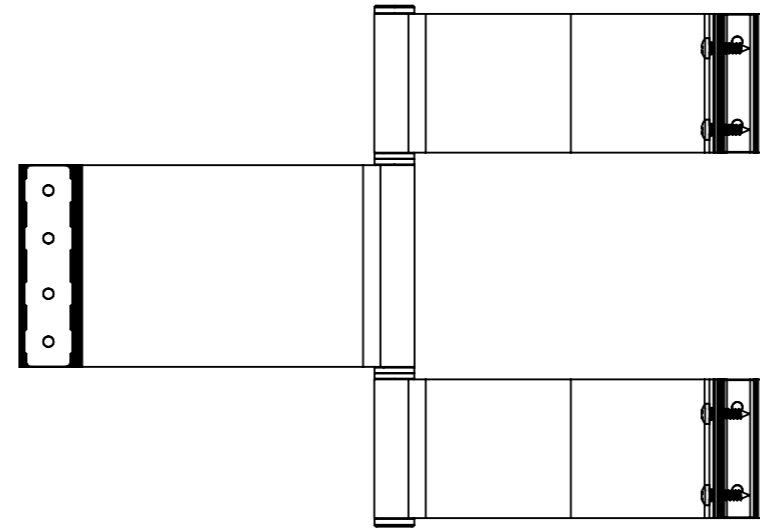
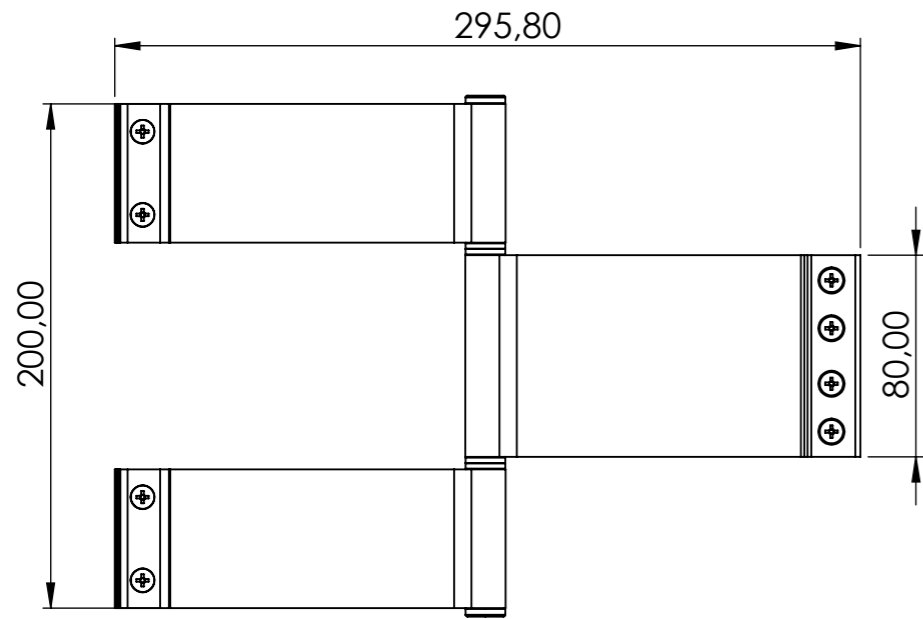


 <p>PANIDIS ΠΑΝΙΔΙΣ Σ.Α. ΑΛΥΜΙΝΙΟΥ ΣΥΣΤΗΜΑΤΩΝ ΚΑΙ ΠΡΟΪΚΤΩΝ</p>		
<p>PANIDIS S.A. PRODUCTION OF ALUMINUM RAILING SYSTEMS & ACCESSORIES TEL: +30 2310 780352-784 519, FAX: +30 2310 783764 www.panidis-sa.com e-mail: info@panidis-sa.com</p>		
DWG NO.		
MM-10-182		
MATERIAL:	DATE: 17/11/2023	WEIGHT:
REVISION:	DO NOT SCALE DRAWING	
UNLESS OTHERWISE SPECIFIED: DIMENSIONS ARE IN MILLIMETERS		SHEET 1 OF 1
TOLERANCES:	LINEAR: ANGULAR:	SCALE: 1:2



PANIDIS S.A.
 PRODUCTION OF ALUMINUM RAILING SYSTEMS & ACCESSORIES
 TEL: +30 2310 780352-784 519, FAX: +30 2310 783764
 www.panidis-sa.com e-mail: info@panidis-sa.com

DWG NO.		MM-10-220	
MATERIAL:	WEIGHT:	DO NOT SCALE DRAWING	
REVISION:	DATE: 17/11/2023	SHEET 1 OF 1	
UNLESS OTHERWISE SPECIFIED: DIMENSIONS ARE IN MILLIMETERS		SCALE: 1:2	
TOLERANCES:		LINEAR:	ANGULAR:



PANIDIS 
 ΠΑΝΙΔΙΣ Σ.Α. ΑΛΥΜΙΝΙΟ ΣΥΣΤΗΜΑΤΑ ΚΑΙ ΑΝΕΞΑΡΤΗΤΑ ΕΞΑΡΤΗΜΑΤΑ

PANIDIS S.A.
 PRODUCTION OF ALUMINUM RAILING SYSTEMS & ACCESSORIES
 TEL: +30 2310 780352-784 519, FAX: +30 2310 783764
 www.panidis-sa.com e-mail: info@panidis-sa.com

DWG NO.		MM-10-250	
MATERIAL:	DATE: 17/11/2023	WEIGHT:	DO NOT SCALE DRAWING
UNLESS OTHERWISE SPECIFIED: DIMENSIONS ARE IN MILLIMETERS		SHEET 1 OF 1	
TOLERANCES:	LINEAR:	SCALE: 1:3	A3
	ANGULAR:		