

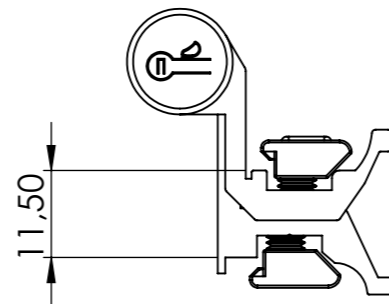
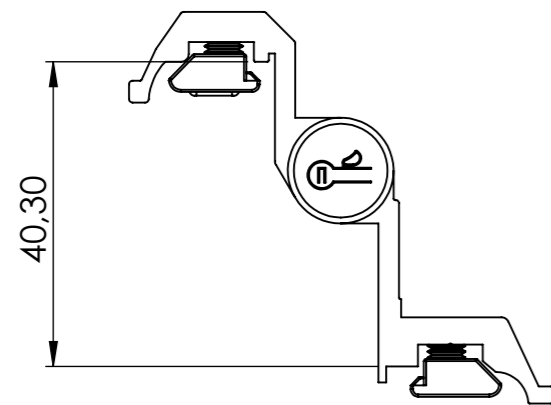
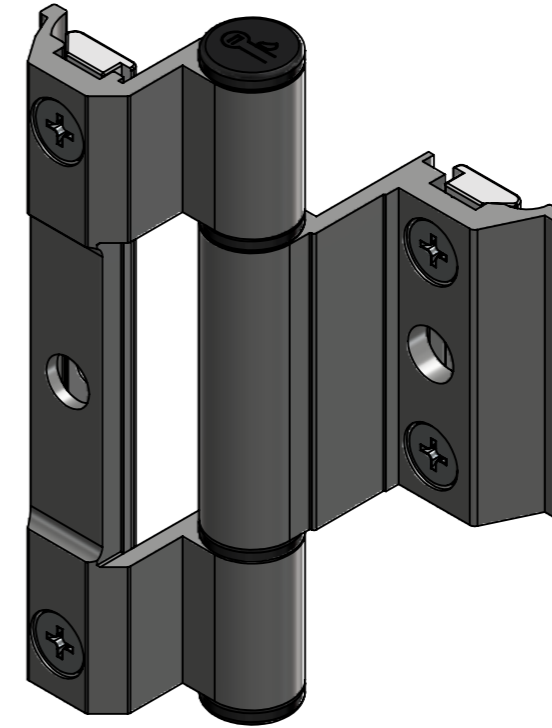
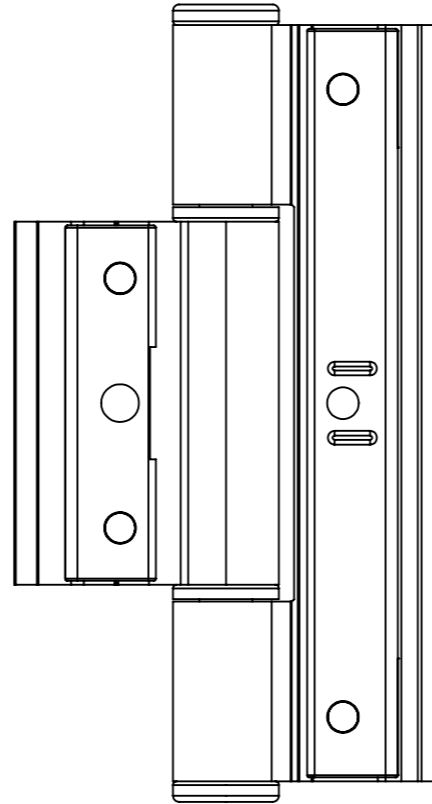
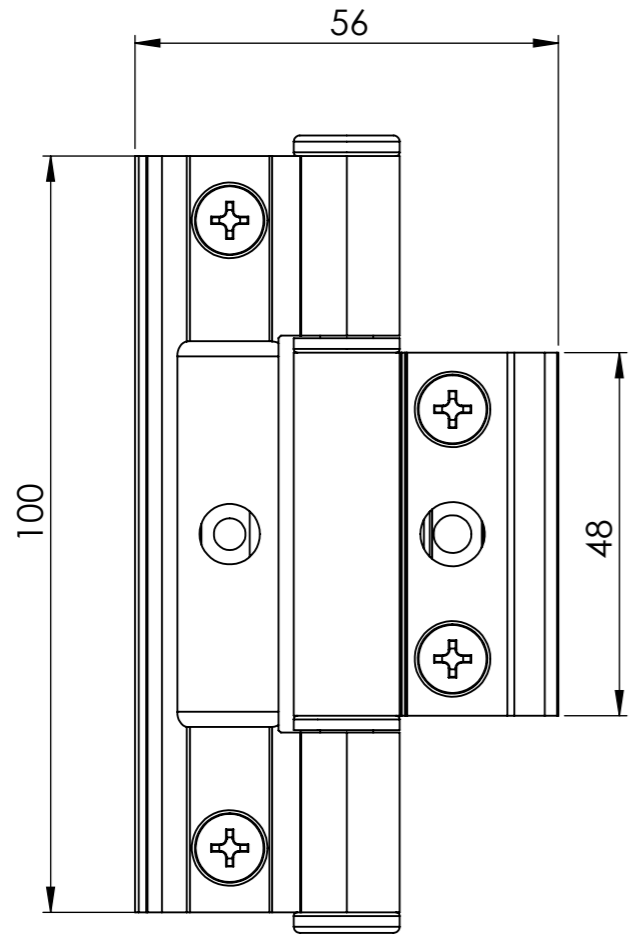
PANIDIS 
 MAKEDONIKI • ALUMINIUM SYSTEM COMPONENTS

PANIDIS S.A.
 PRODUCTION OF ALUMINIUM RAILING SYSTEMS & ACCESSORIES
 TEL: +30 2310 780352-784 519, FAX: +30 2310 783764
 www.panidis-sa.com e-mail: info@panidis-sa.com

DWG NO. **M-10-PR**

MATERIAL:	WEIGHT:
REVISION:	DATE: 13/3/2023
UNLESS OTHERWISE SPECIFIED: DIMENSIONS ARE IN MILLIMETERS	DO NOT SCALE DRAWING
TOLERANCES: LINEAR: ANGULAR:	SHEET 1 OF 2 SCALE: 1:1

A3



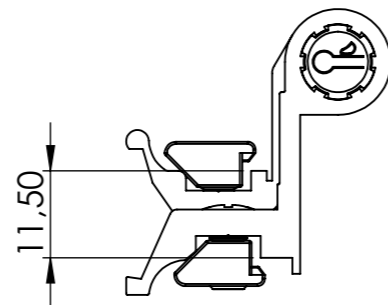
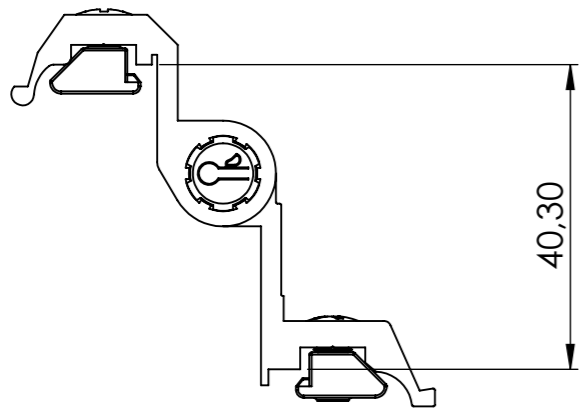
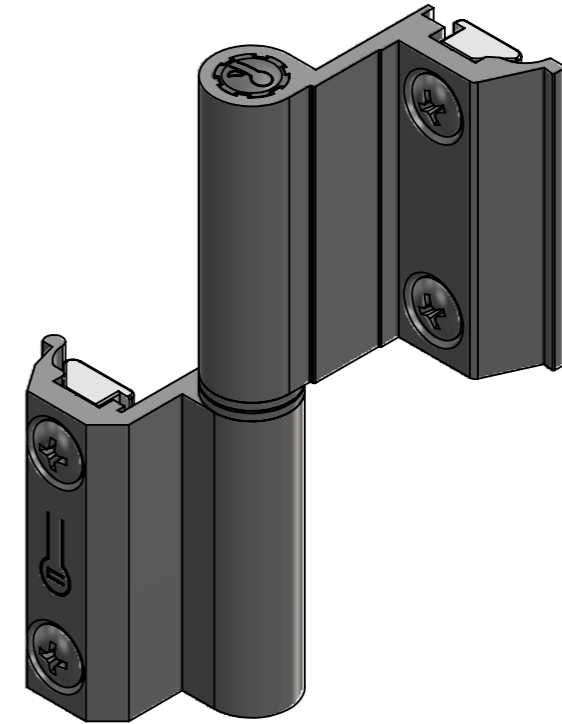
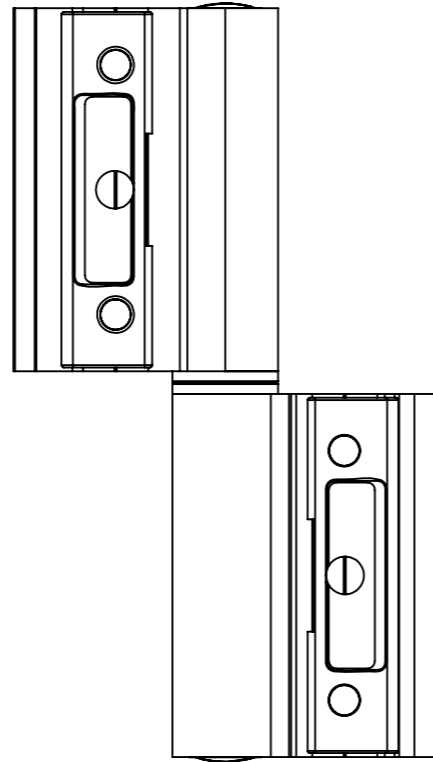
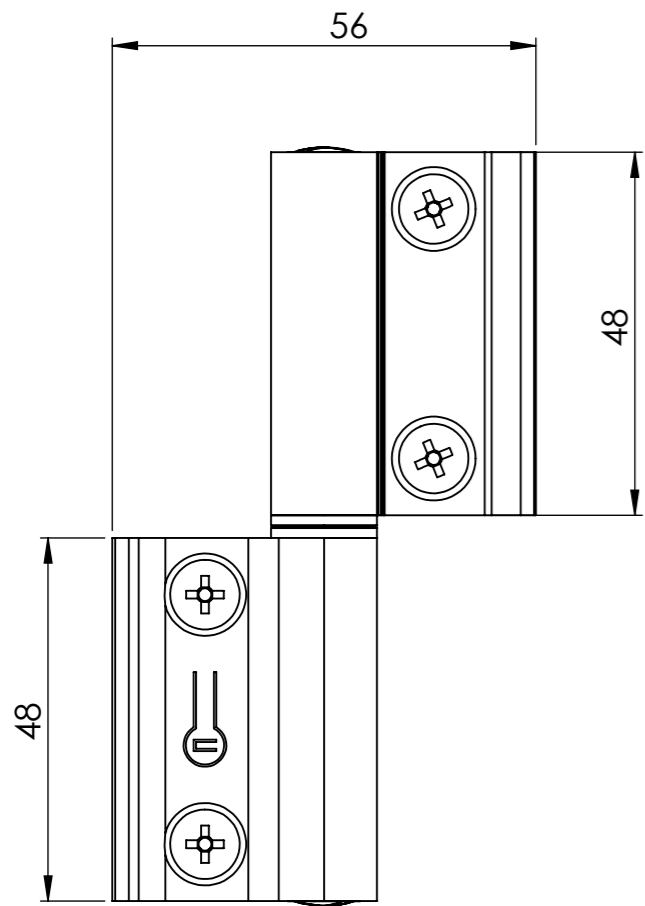
PANIDIS 
 ΠΑΝΙΔΙΣ - ΑΛΥΜΙΝΙΟΥ ΣΥΣΤΗΜΑΤΑ ΚΑΙ ΑΝΕΞΑΡΤΗΤΑ

PANIDIS S.A.
 PRODUCTION OF ALUMINUM RAILING SYSTEMS & ACCESSORIES
 TEL: +30 2310 780352-784 519, FAX: +30 2310 783764
 www.panidis-sa.com e-mail: info@panidis-sa.com

DWG NO.

M-10-S

MATERIAL:	WEIGHT:
REVISION:	DO NOT SCALE DRAWING
UNLESS OTHERWISE SPECIFIED: DIMENSIONS ARE IN MILLIMETERS	
TOLERANCES:	LINEAR: ANGULAR:

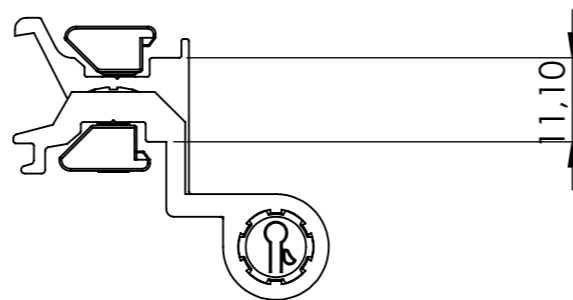
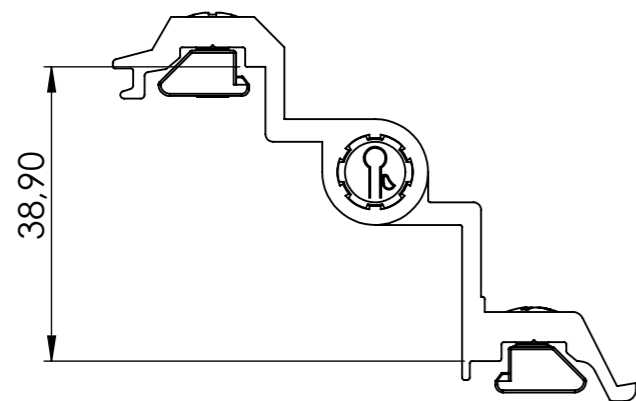
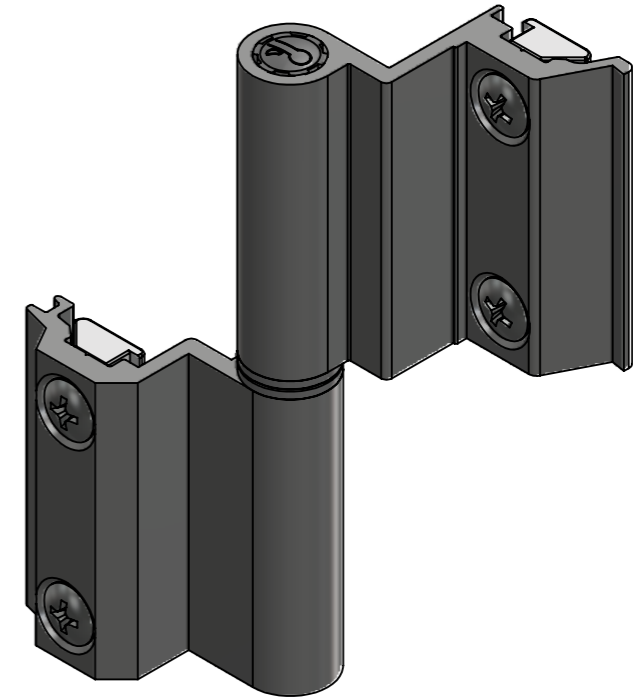
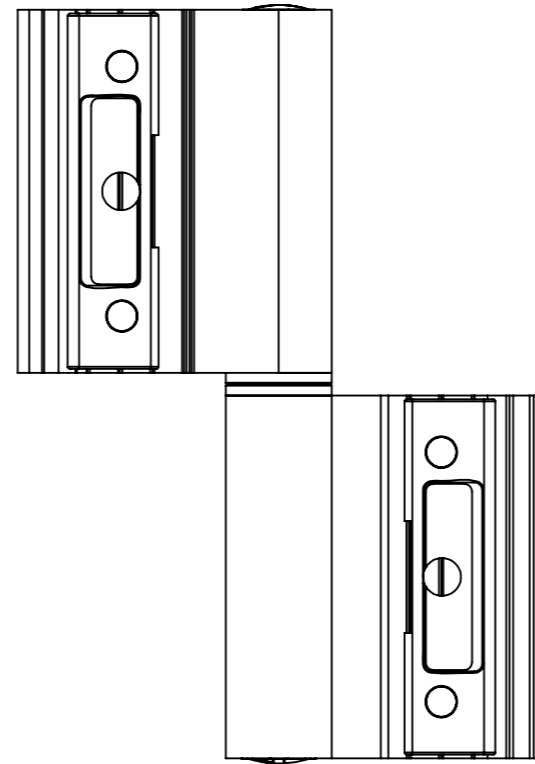
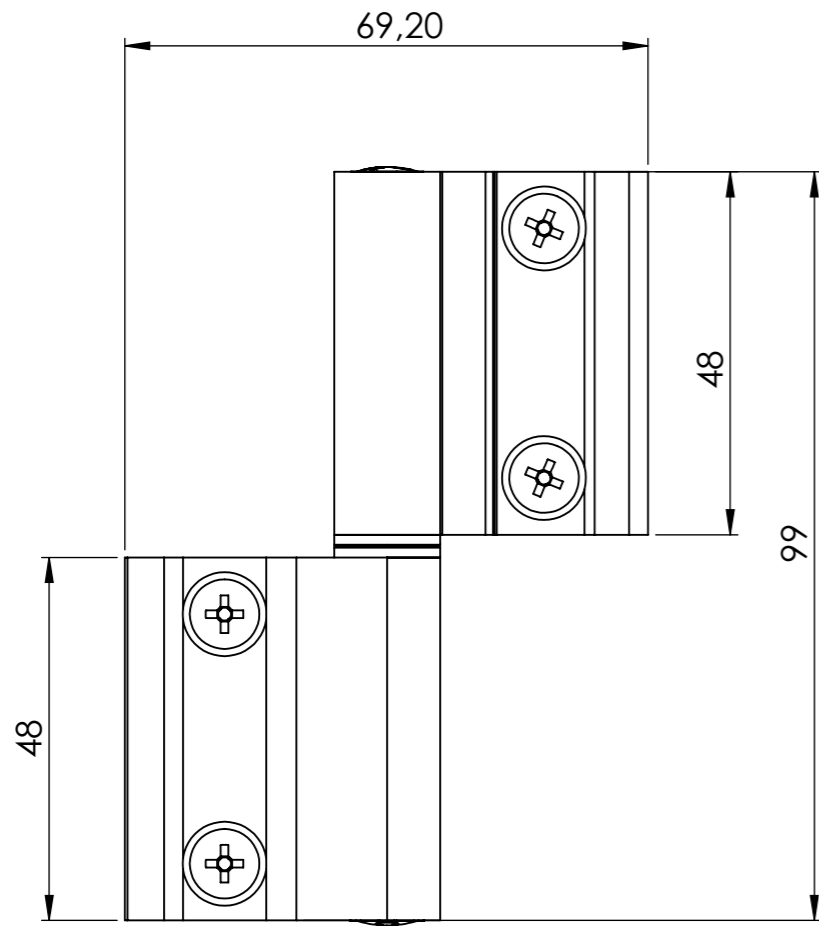


PANIDIS 
 ΠΑΝΙΔΙΣ - ΑΛΥΜΙΝΙΟ ΣΥΣΤΗΜΑ ΕΞΟΡΧΗΣ

PANIDIS S.A.
 PRODUCTION OF ALUMINUM RAILING SYSTEMS & ACCESSORIES
 TEL: +30 2310 780352-784 519, FAX: +30 2310 783764
 www.panidis-sa.com e-mail: info@panidis-sa.com

DWG NO. **M-13-PR**

MATERIAL:	WEIGHT:
REVISION:	DO NOT SCALE DRAWING
UNLESS OTHERWISE SPECIFIED: DIMENSIONS ARE IN MILLIMETERS	SHEET 2 OF 2
TOLERANCES: LINEAR: ANGULAR:	



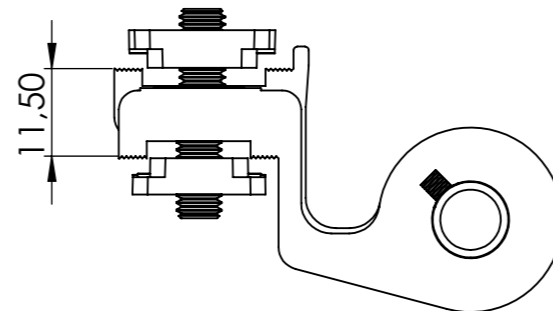
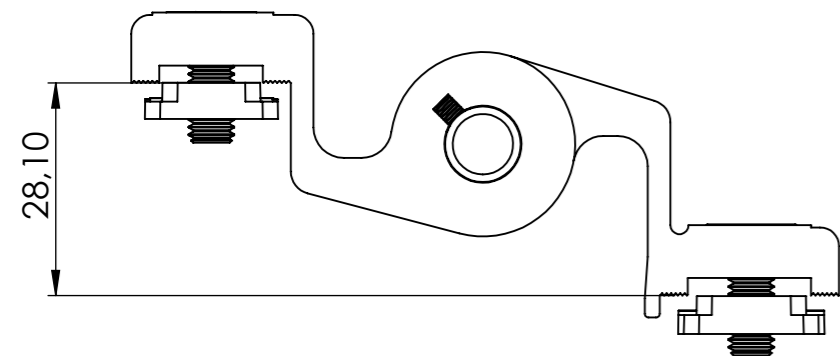
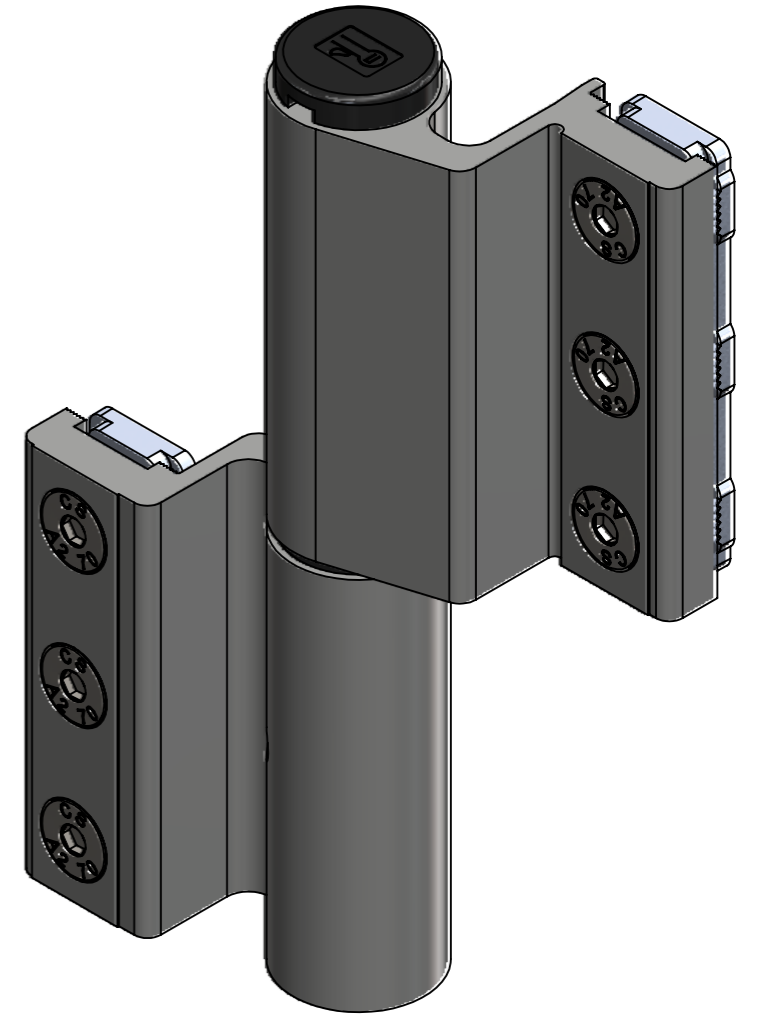
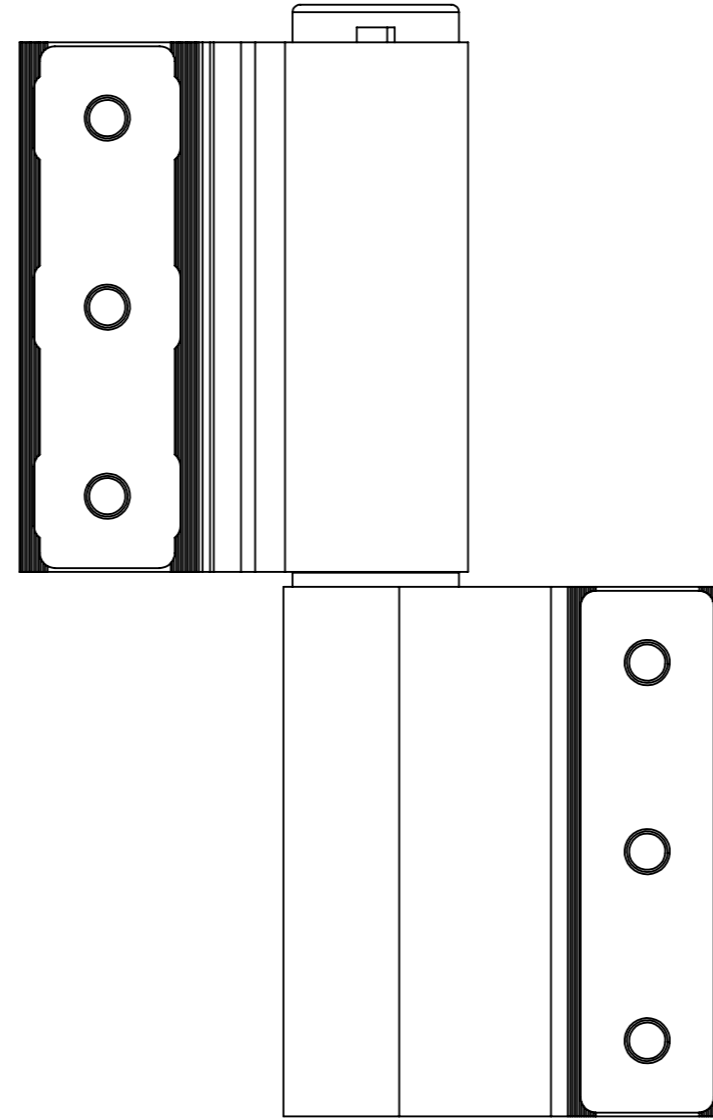
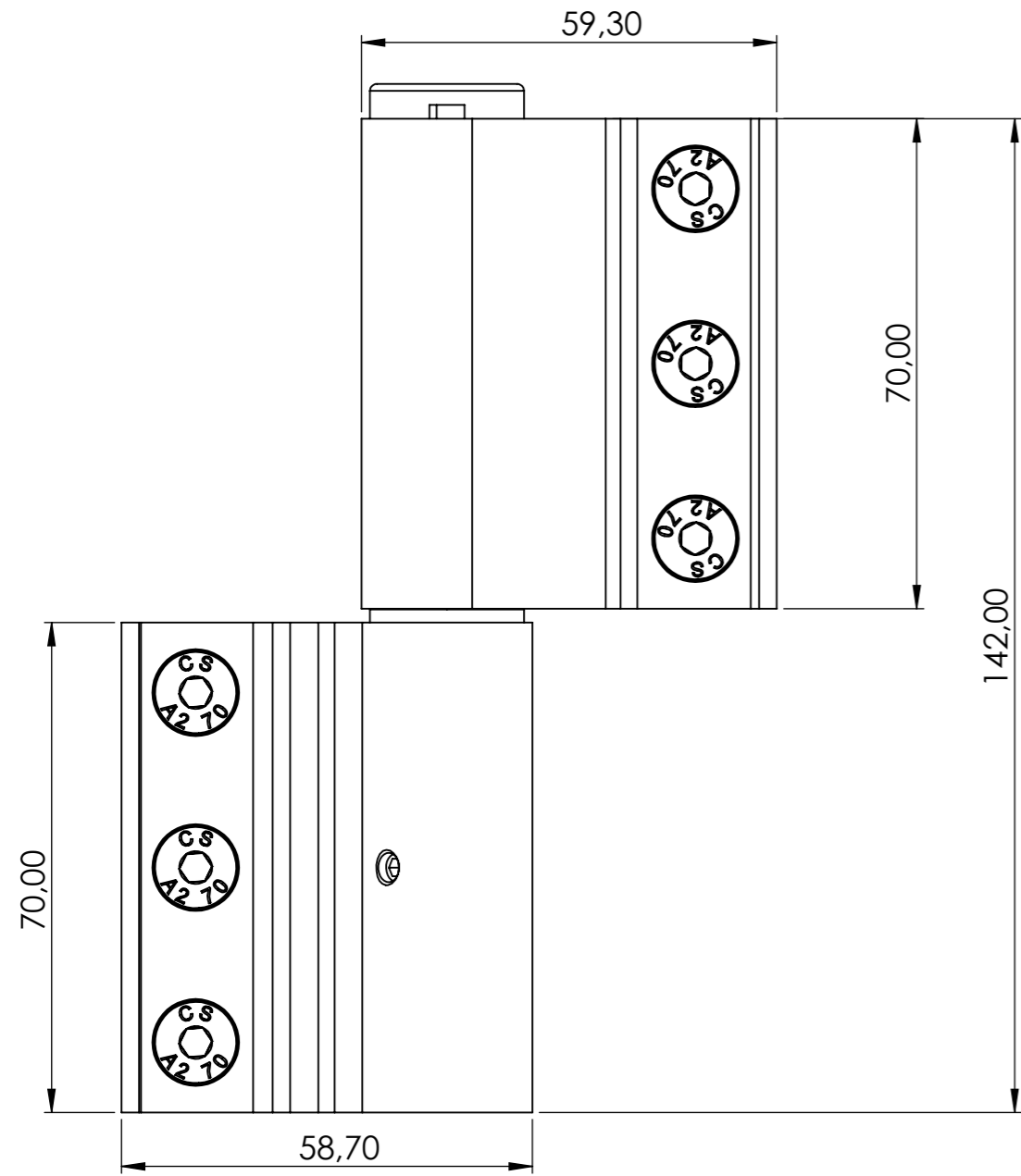
PANIDIS 
 ΠΑΝΙΔΙΣ - ΑΛΥΜΙΝΙΟΥ ΣΥΣΤΗΜΑ ΕΚΠΟΜΠΗΣ


PANIDIS S.A.
 PRODUCTION OF ALUMINUM RAILING SYSTEMS & ACCESSORIES
 TEL: +30 2310 780352-784 519, FAX: +30 2310 783764
 www.panidis-sa.com e-mail: info@panidis-sa.com

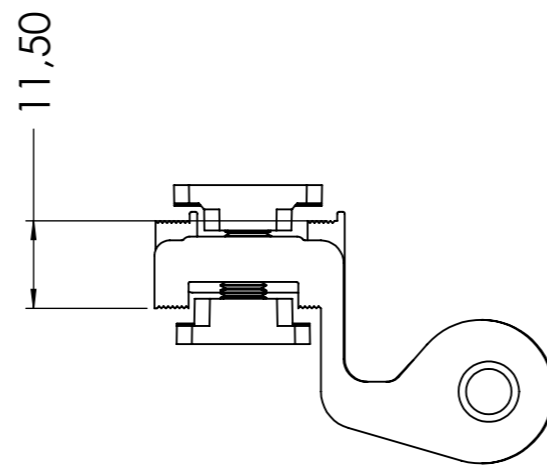
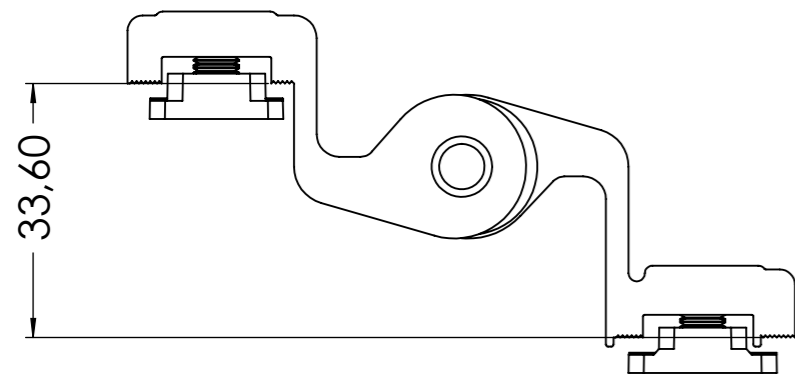
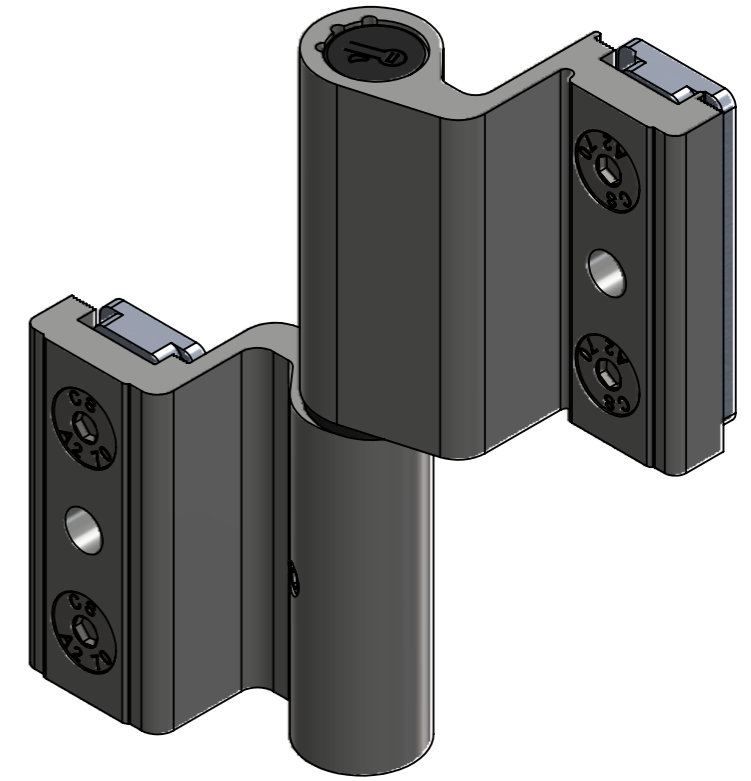
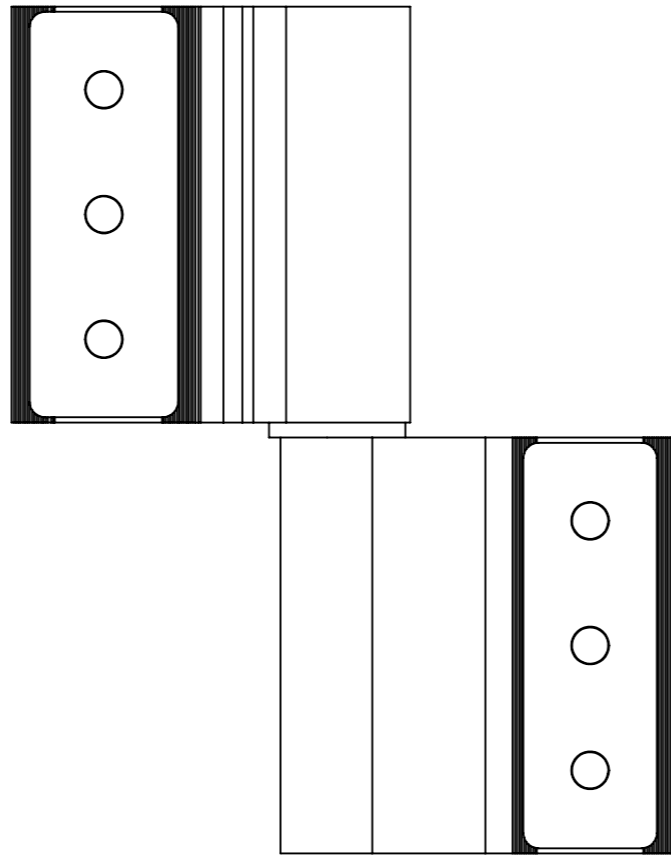
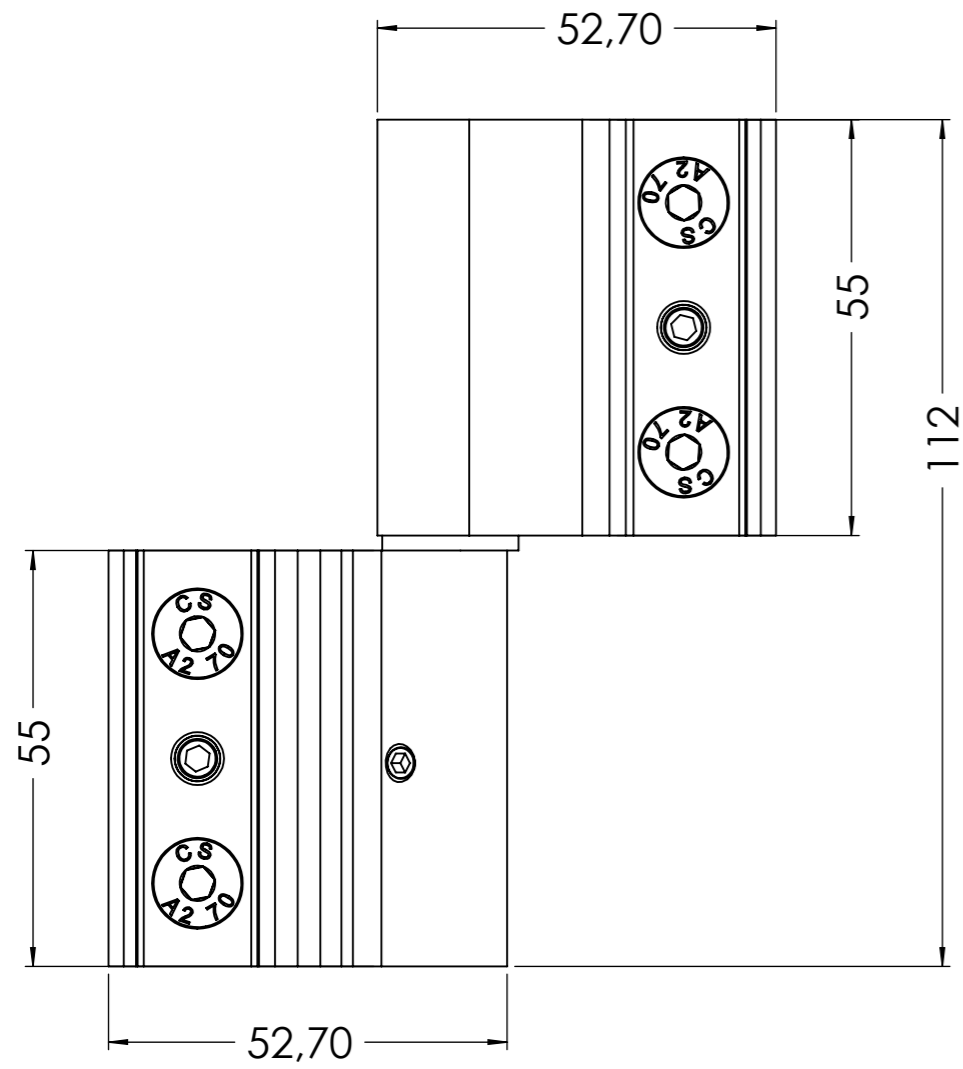
DWG NO.


MTT-10

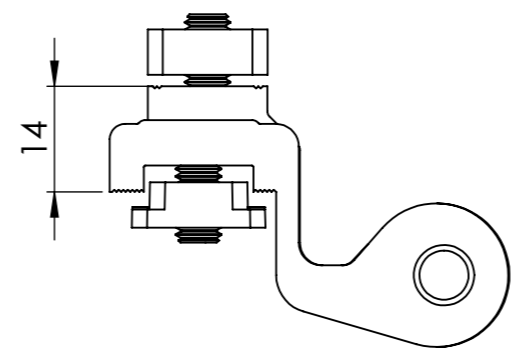
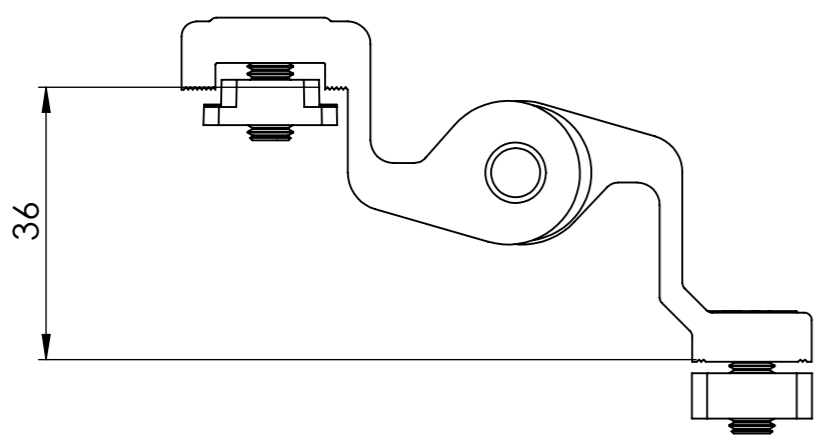
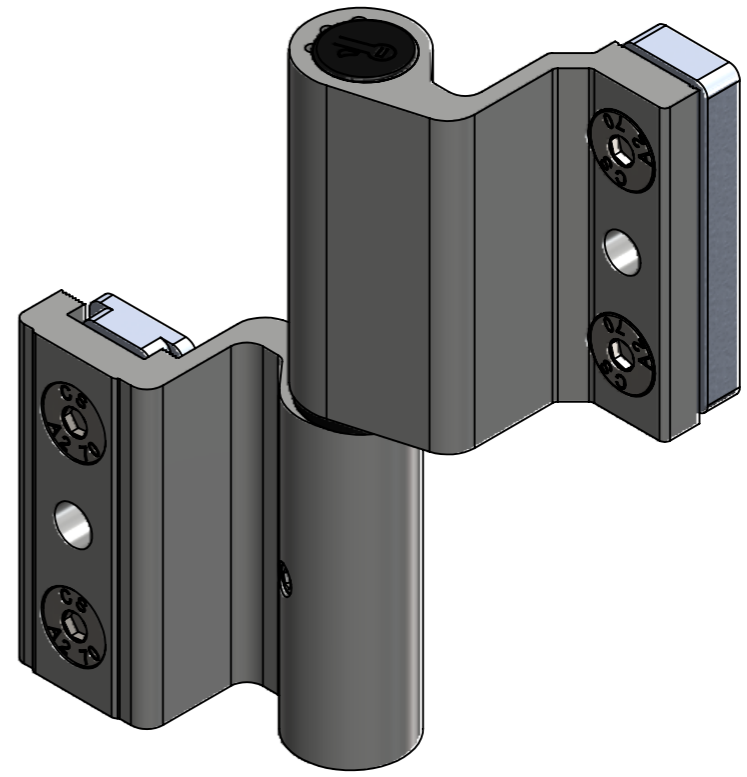
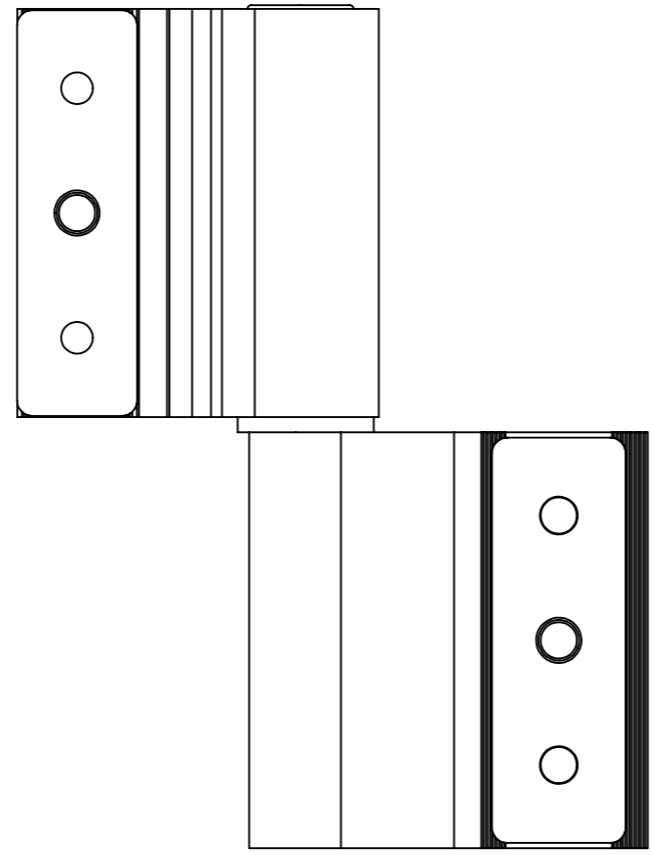
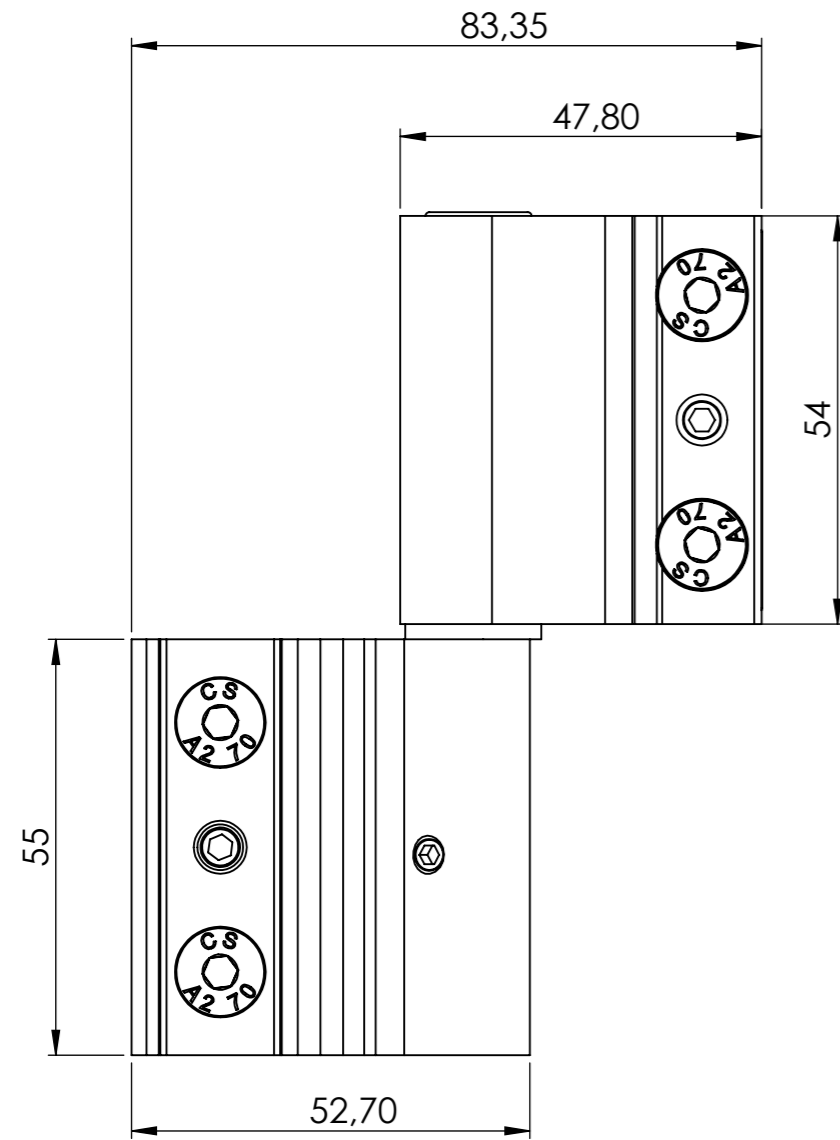
MATERIAL:	WEIGHT:
REVISION:	DO NOT SCALE DRAWING
UNLESS OTHERWISE SPECIFIED: DIMENSIONS ARE IN MILLIMETERS	
TOLERANCES:	LINEAR: ANGULAR:




	
PANIDIS S.A. PRODUCTION OF ALUMINUM RAILING SYSTEMS & ACCESSORIES TEL: +30 2310 780352-784 519, FAX: +30 2310 783764 www.panidis-sa.com e-mail: info@panidis-sa.com	
DWG NO. <h2 style="margin: 0;">MBT-100</h2>	
MATERIAL:	WEIGHT:
REVISION:	DO NOT SCALE DRAWING
UNLESS OTHERWISE SPECIFIED: DIMENSIONS ARE IN MILLIMETERS	
TOLERANCES:	LINEAR: ANGULAR:



 <p>PANIDIS ΠΑΝΙΔΙΣ Σ.Α. ΑΛΥΜΙΝΙΟΥ ΣΥΣΤΗΜΑΤΩΝ ΚΑΙ ΠΡΟΣΒΑΝΤΩΝ</p>	
<p>PANIDIS S.A. PRODUCTION OF ALUMINUM RAILING SYSTEMS & ACCESSORIES TEL: +30 2310 780352-784 519, FAX: +30 2310 783764 www.panidis-sa.com e-mail: info@panidis-sa.com</p>	
<p>DWG NO. MBT-110</p>	
MATERIAL:	WEIGHT:
REVISION:	DO NOT SCALE DRAWING
<p>UNLESS OTHERWISE SPECIFIED: DIMENSIONS ARE IN MILLIMETERS</p>	
TOLERANCES:	LINEAR: ANGULAR:



	
PANIDIS S.A. PRODUCTION OF ALUMINUM RAILING SYSTEMS & ACCESSORIES TEL: +30 2310 780352-784 519, FAX: +30 2310 783764 www.panidis-sa.com e-mail: info@panidis-sa.com	
DWG NO. <h2 style="margin: 0;">MBT-310</h2>	
MATERIAL:	WEIGHT:
REVISION:	DO NOT SCALE DRAWING
UNLESS OTHERWISE SPECIFIED: DIMENSIONS ARE IN MILLIMETERS	
TOLERANCES:	LINEAR: ANGULAR: