

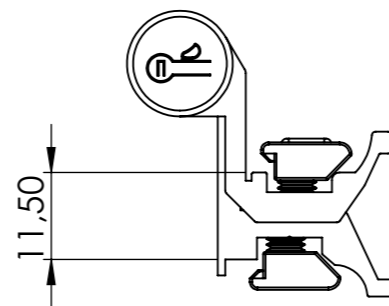
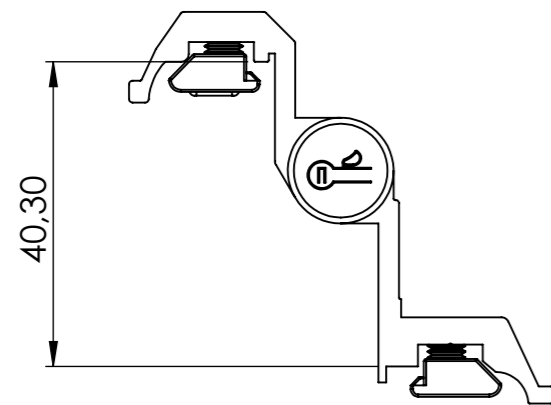
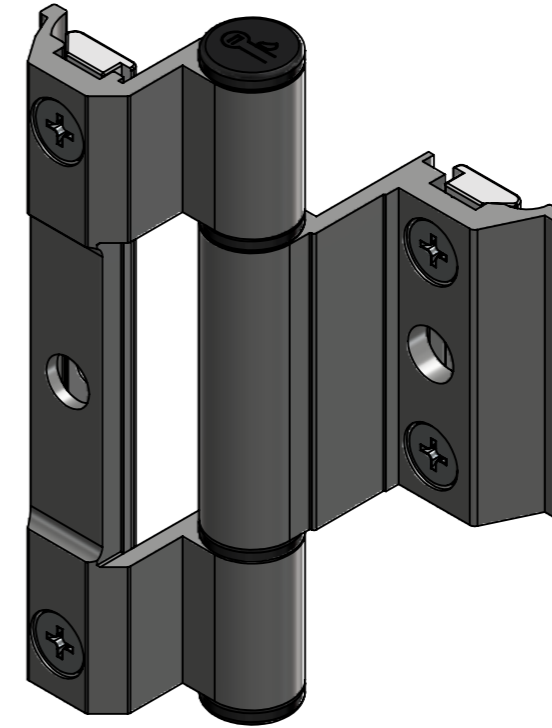
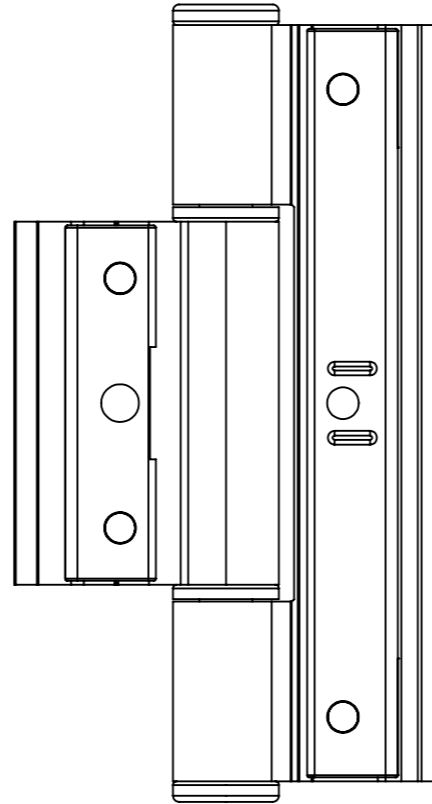
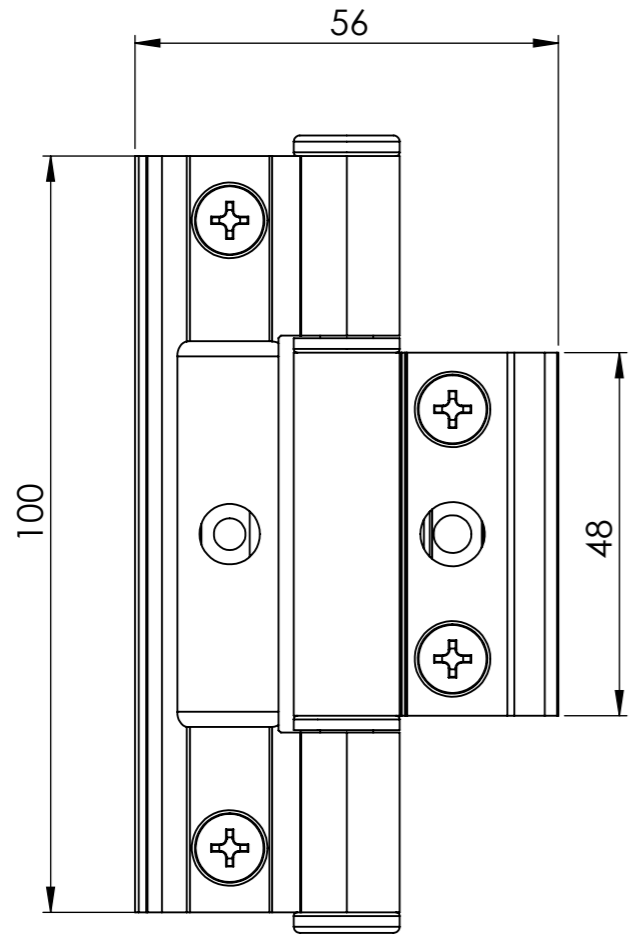
PANIDIS 
 MAKEDONIKI • ALUMINIUM SYSTEM COMPONENTS

PANIDIS S.A.
 PRODUCTION OF ALUMINIUM RAILING SYSTEMS & ACCESSORIES
 TEL: +30 2310 780352-784 519, FAX: +30 2310 783764
 www.panidis-sa.com e-mail: info@panidis-sa.com

DWG NO. **M-10-PR**

| | |
|--|----------------------------|
| MATERIAL: | WEIGHT: |
| REVISION: | DATE: 13/3/2023 |
| UNLESS OTHERWISE SPECIFIED: DIMENSIONS ARE IN MILLIMETERS | DO NOT SCALE DRAWING |
| TOLERANCES: | LINEAR: ANGULAR: |
| | SHEET 1 OF 2 SCALE: 1:1 |

A3



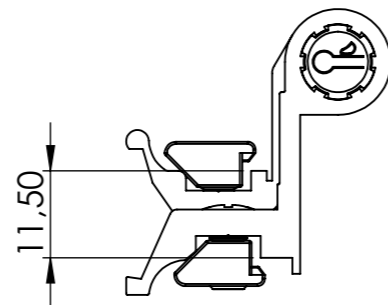
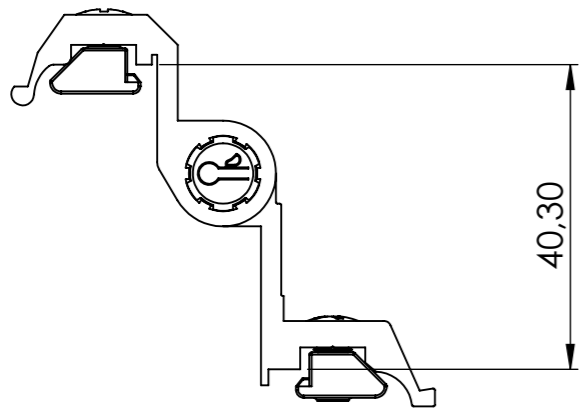
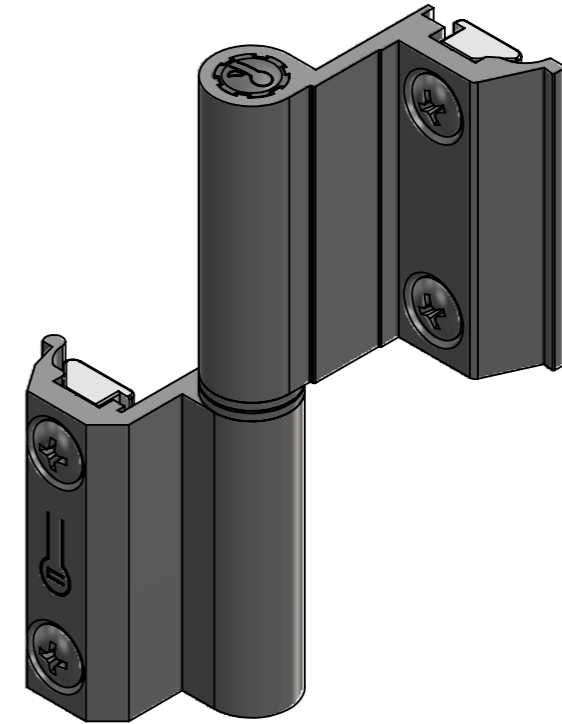
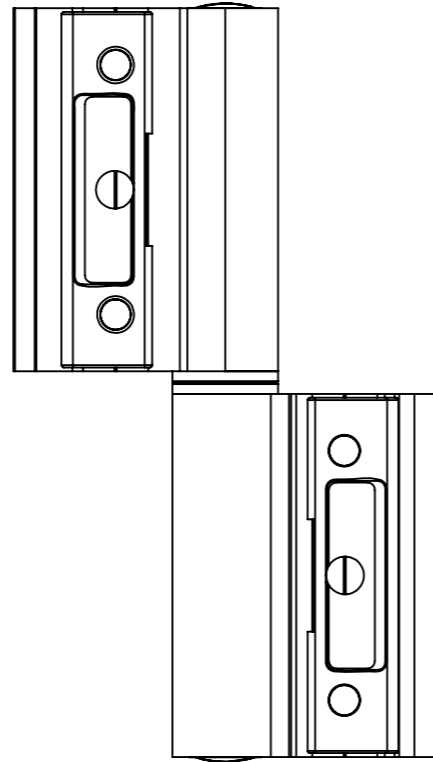
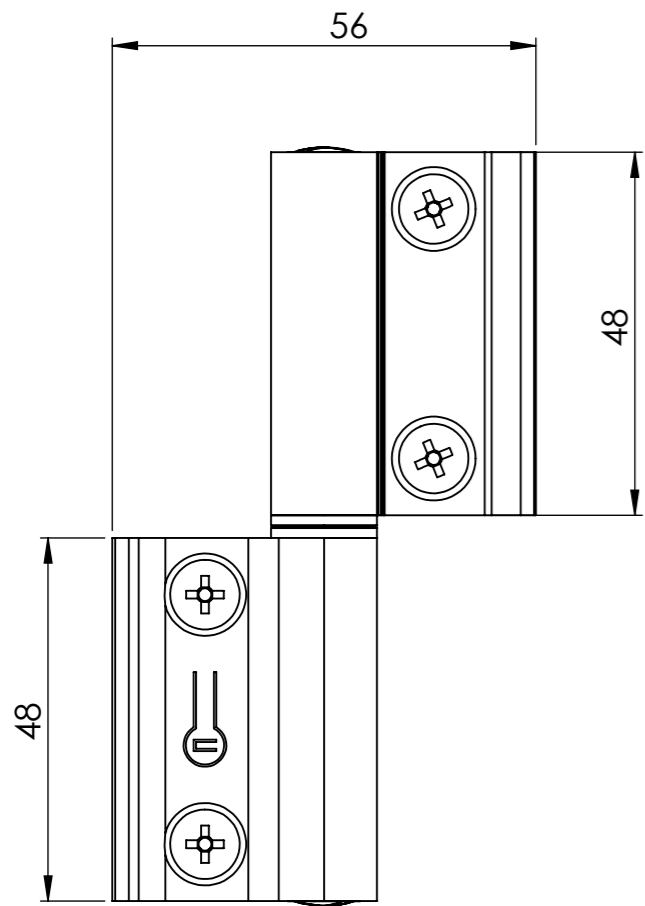
PANIDIS 
 ΠΑΝΙΔΙΣ - ΑΛΥΜΙΝΙΟΥ ΣΥΣΤΗΜΑ ΕΚΠΟΜΠΩΝ

PANIDIS S.A.
 PRODUCTION OF ALUMINUM RAILING SYSTEMS & ACCESSORIES
 TEL: +30 2310 780352-784 519, FAX: +30 2310 783764
 www.panidis-sa.com e-mail: info@panidis-sa.com

DWG NO.

M-10-S

| | |
|--|----------------------|
| MATERIAL: | WEIGHT: |
| REVISION: | DO NOT SCALE DRAWING |
| UNLESS OTHERWISE SPECIFIED: DIMENSIONS ARE IN MILLIMETERS | |
| TOLERANCES: | LINEAR: ANGULAR: |

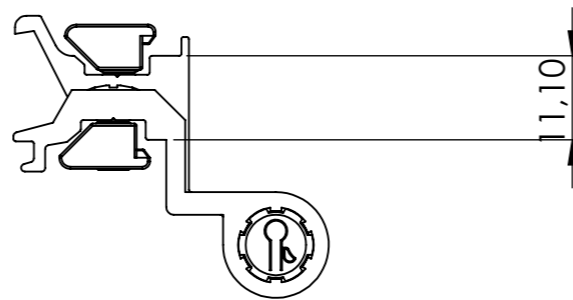
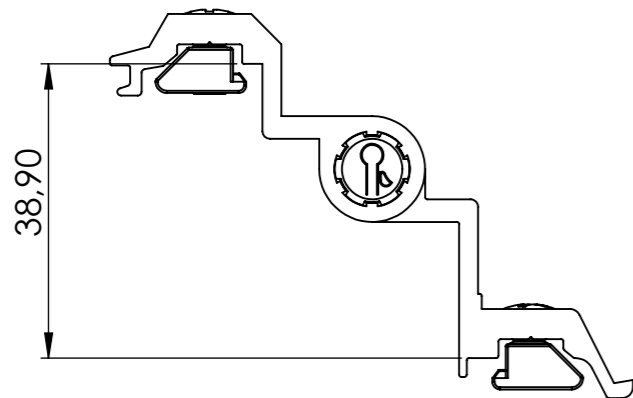
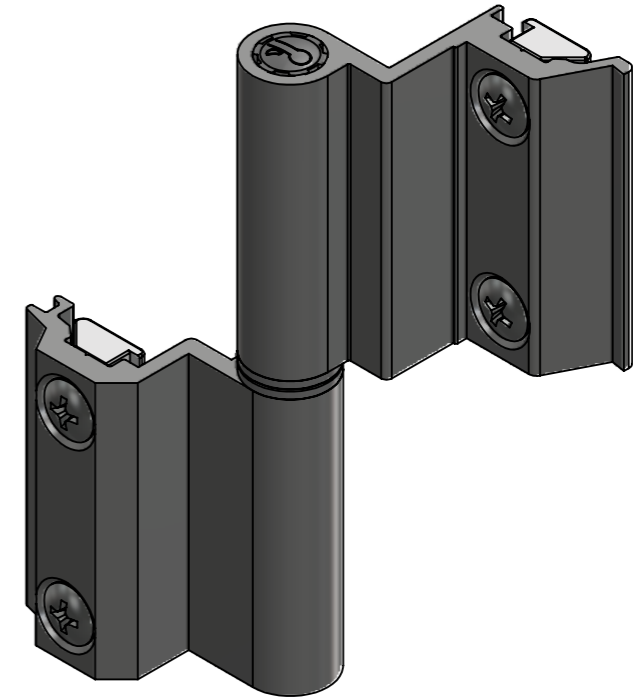
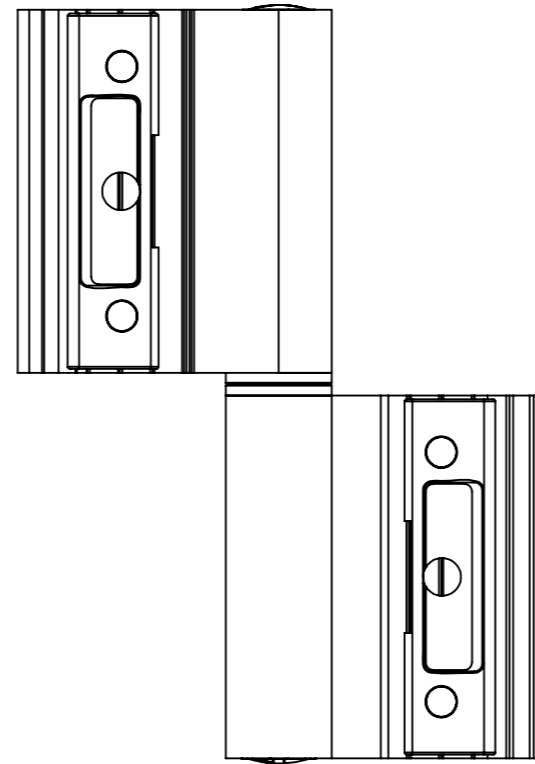
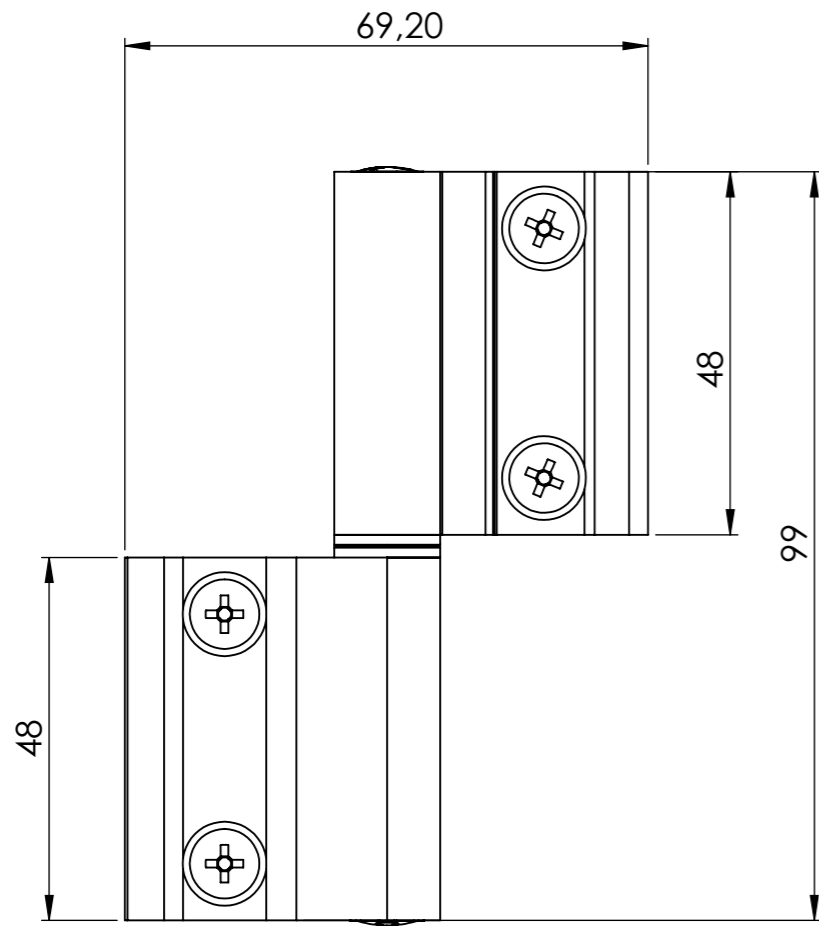


PANIDIS 
 ΠΑΝΙΔΙΣ - ΑΛΥΜΙΝΙΟΥ ΣΥΣΤΗΜΑ ΚΑΙ ΑΝΕΞΑΡΤΗΤΑ

PANIDIS S.A.
 PRODUCTION OF ALUMINUM RAILING SYSTEMS & ACCESSORIES
 TEL: +30 2310 780352-784 519, FAX: +30 2310 783764
 www.panidis-sa.com e-mail: info@panidis-sa.com

DWG NO. **M-13-PR**

| | |
|--|----------------------|
| MATERIAL: | WEIGHT: |
| REVISION: | DO NOT SCALE DRAWING |
| UNLESS OTHERWISE SPECIFIED: DIMENSIONS ARE IN MILLIMETERS | SHEET 2 OF 2 |
| TOLERANCES: LINEAR: ANGULAR: | |



PANIDIS 
 ΠΑΝΙΔΙΣ - ΑΛΥΜΙΝΙΟΥ ΣΥΣΤΗΜΑΤΑ ΚΑΙ ΠΡΟΪΟΝΤΑ

PANIDIS S.A.
 PRODUCTION OF ALUMINUM RAILING SYSTEMS & ACCESSORIES
 TEL: +30 2310 780352-784 519, FAX: +30 2310 783764
 www.panidis-sa.com e-mail: info@panidis-sa.com

DWG NO.

MTT-10

MATERIAL:

WEIGHT:

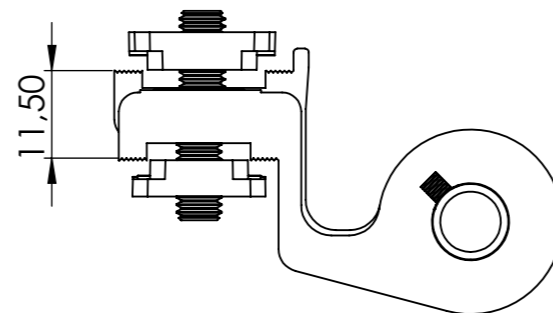
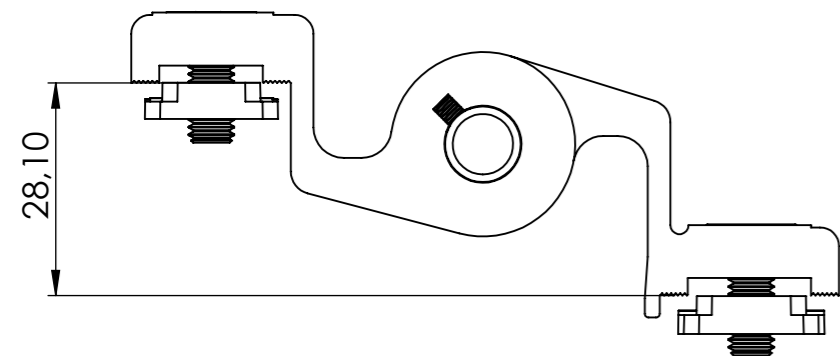
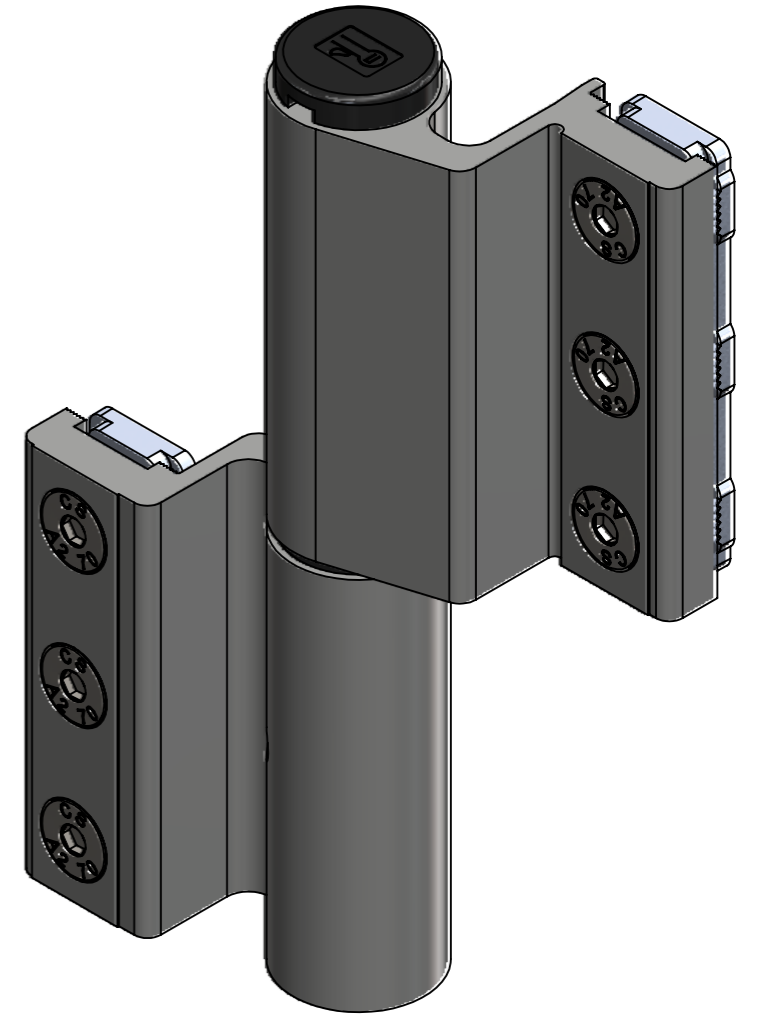
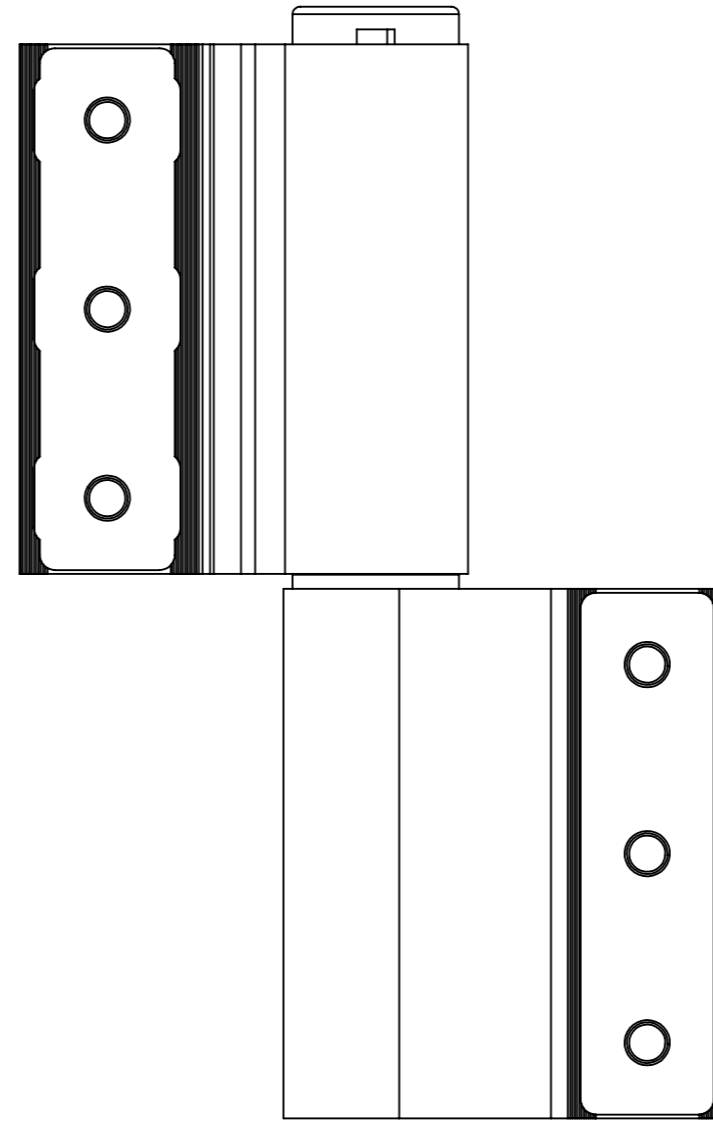
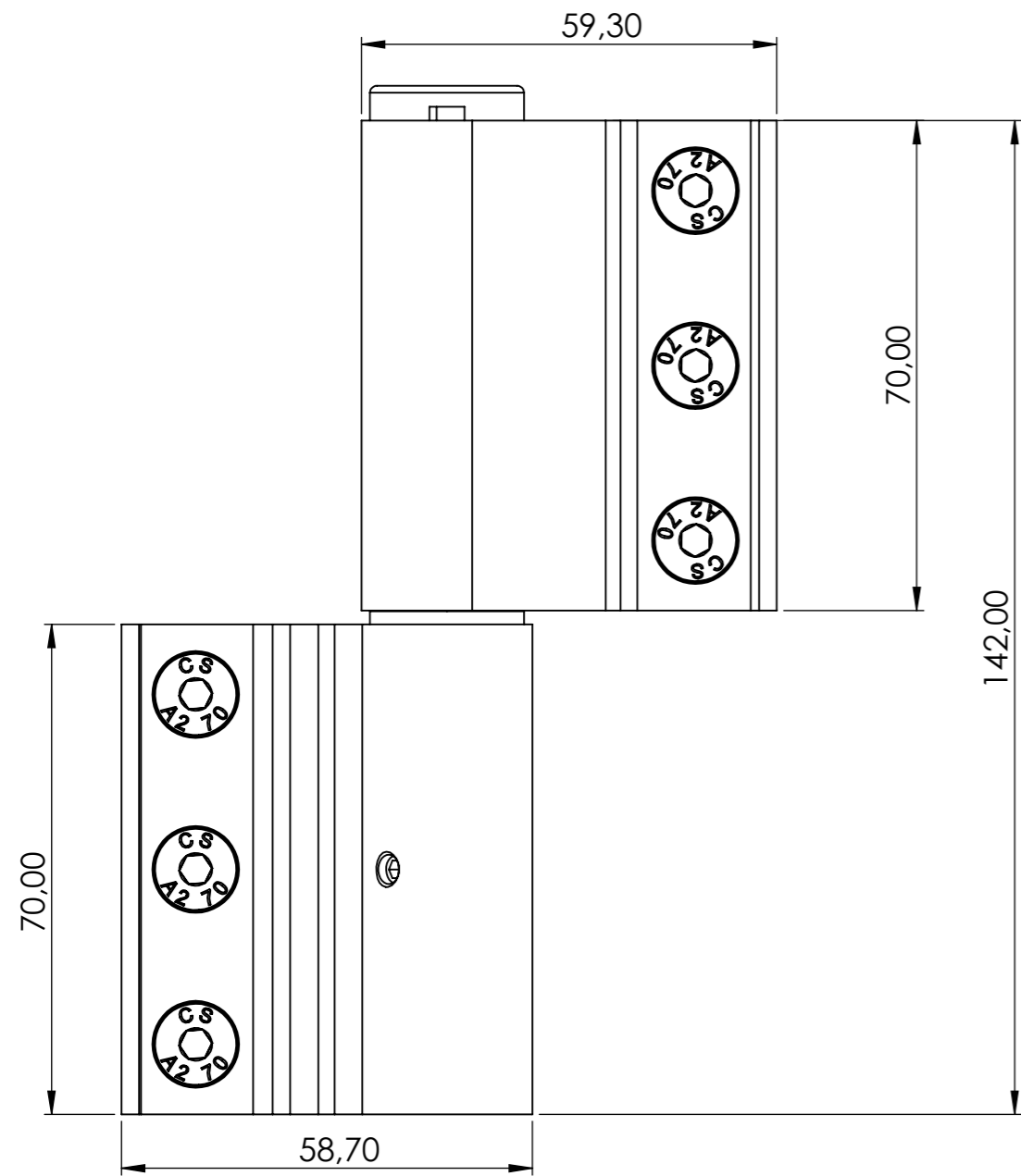
REVISION:

DO NOT SCALE DRAWING

UNLESS OTHERWISE SPECIFIED:
 DIMENSIONS ARE IN MILLIMETERS

TOLERANCES:

LINEAR:
 ANGULAR:



PANIDIS 
 ΠΑΝΙΔΙΣ Σ.Α. ΑΛΥΜΙΝΙΟΥ ΣΥΣΤΗΜΑΤΩΝ ΚΑΙ ΠΡΟΣΘΕΤΩΝ

PANIDIS S.A.
 PRODUCTION OF ALUMINUM RAILING SYSTEMS & ACCESSORIES
 TEL: +30 2310 780352-784 519, FAX: +30 2310 783764
 www.panidis-sa.com e-mail: info@panidis-sa.com

DWG NO.

MBT-100

MATERIAL:

WEIGHT:

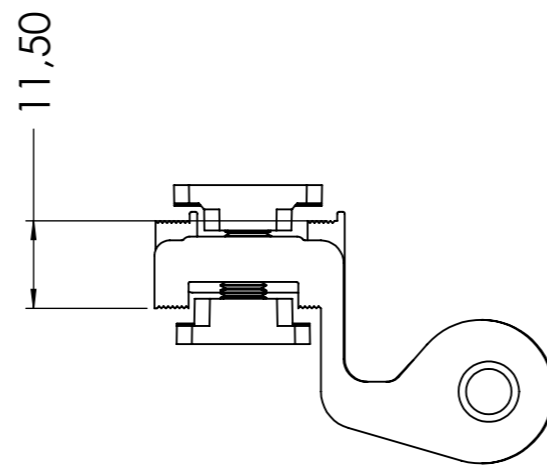
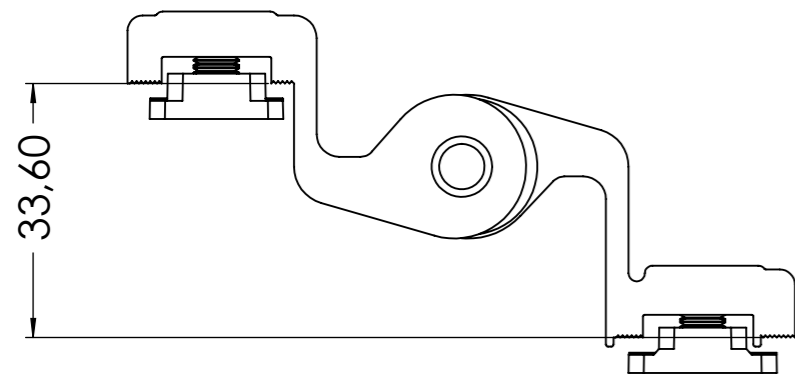
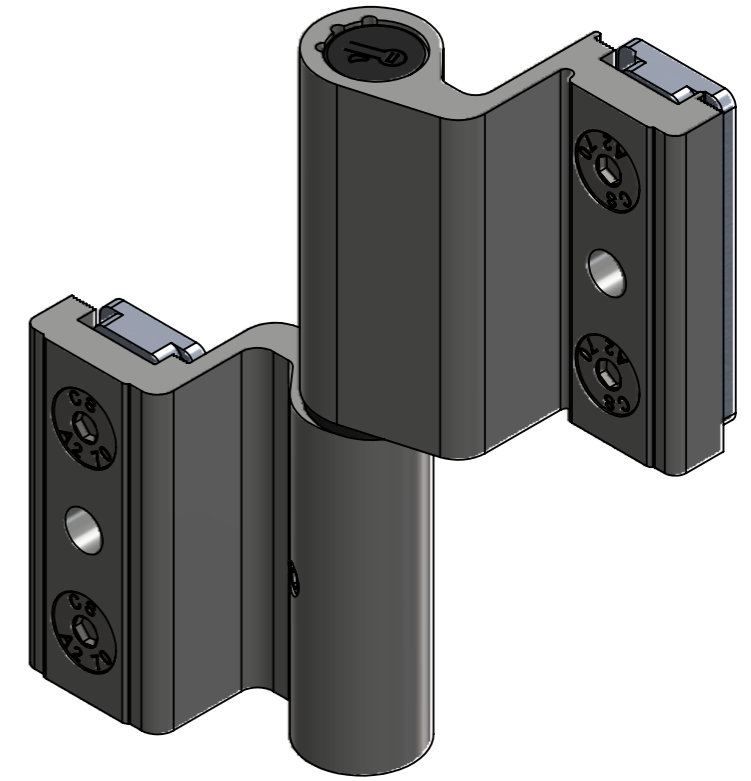
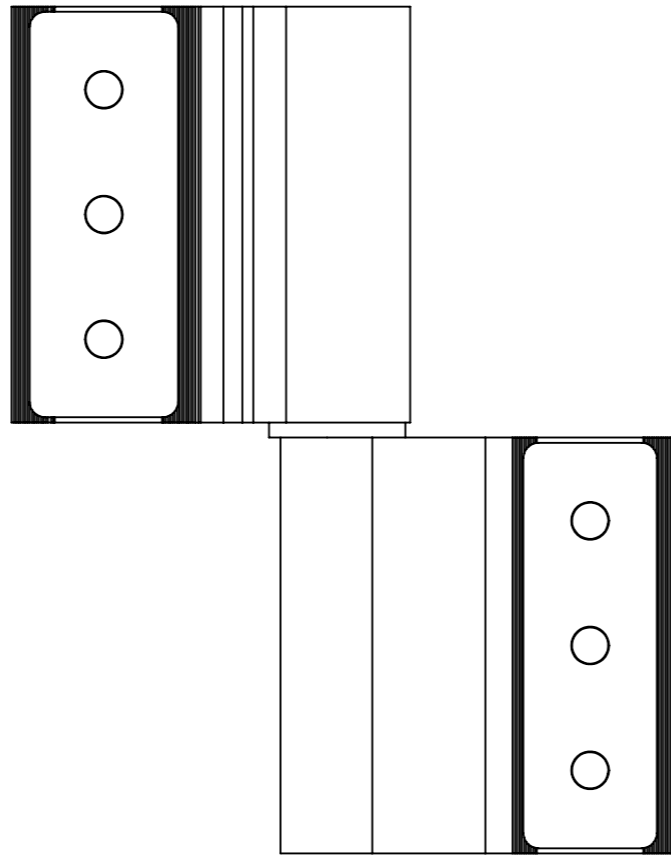
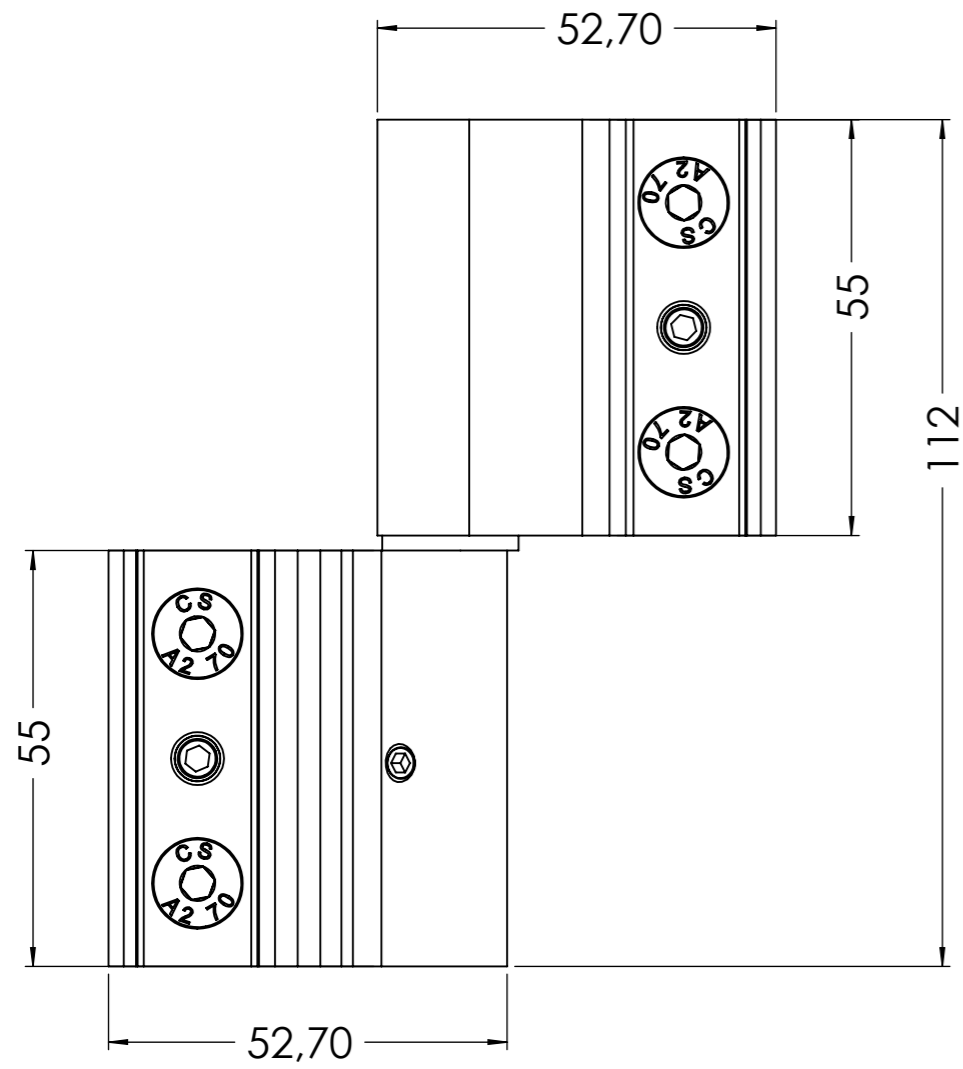
REVISION:


DO NOT SCALE DRAWING

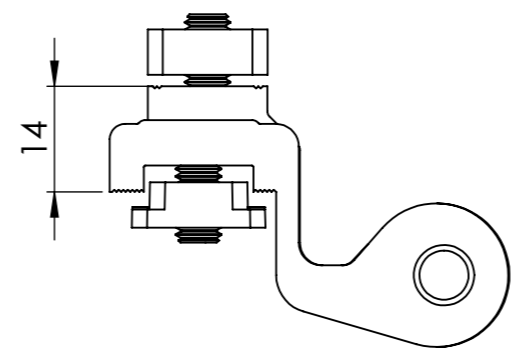
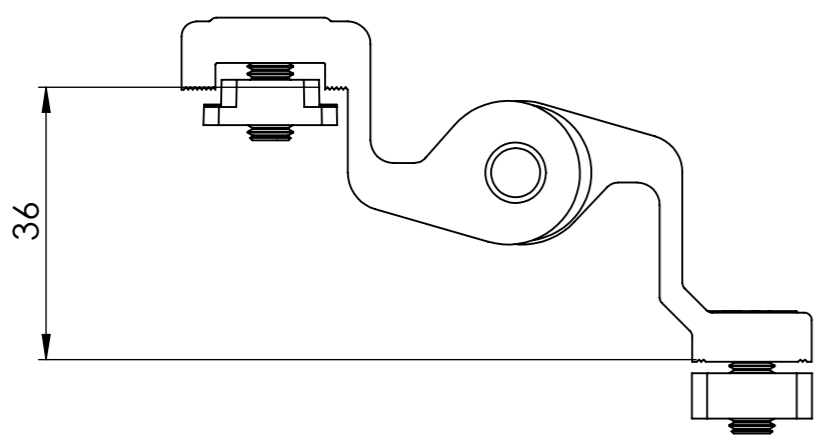
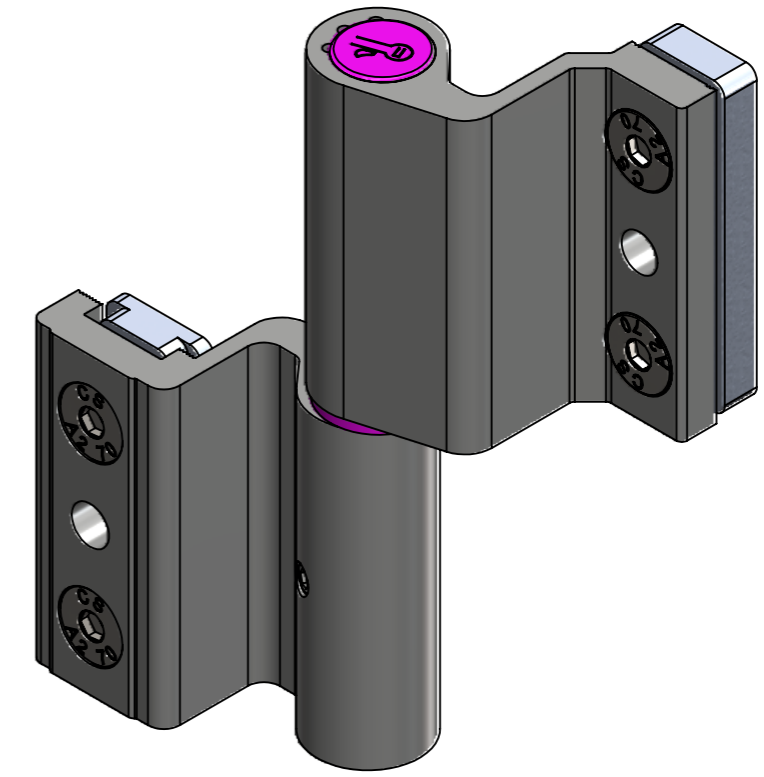
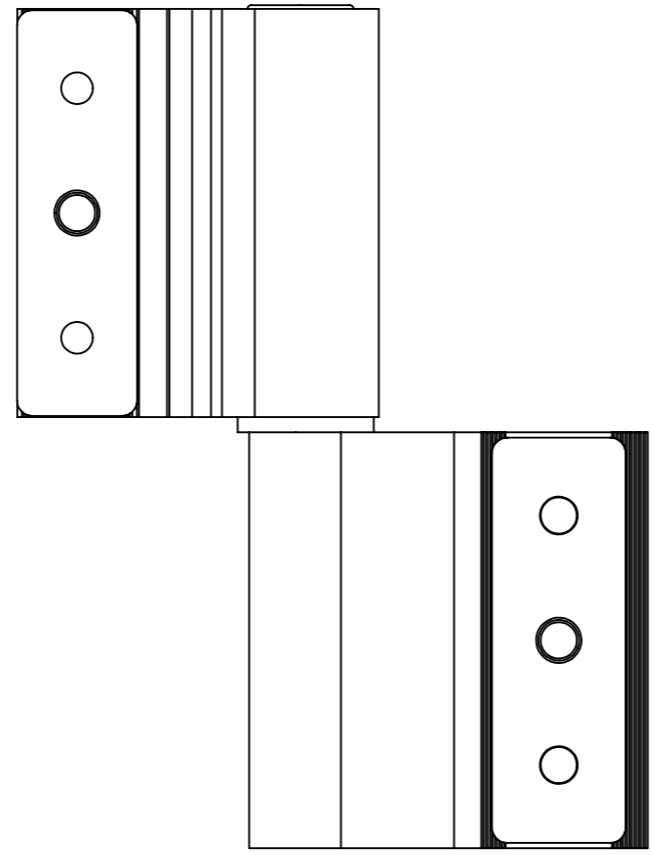
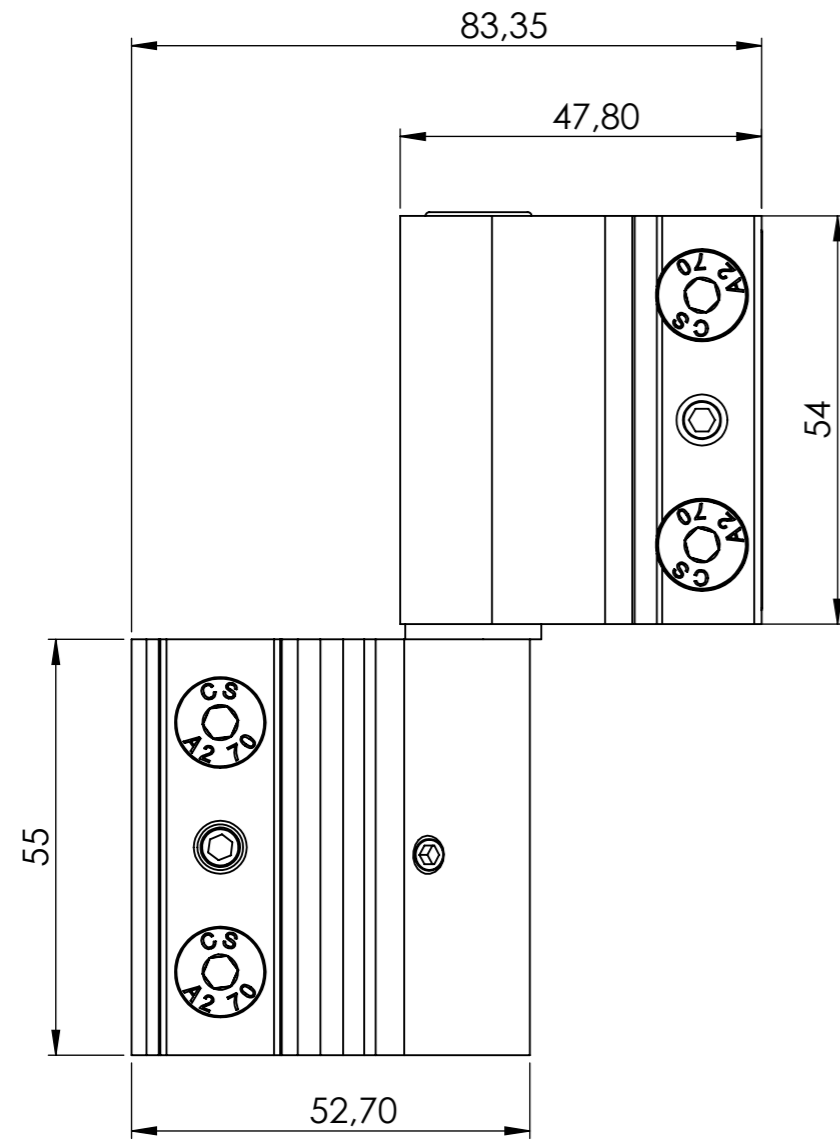
UNLESS OTHERWISE SPECIFIED:
 DIMENSIONS ARE IN MILLIMETERS


TOLERANCES:

LINEAR:
 ANGULAR:



| | |
|--|-----------------------------|
|  <p>PANIDIS ΠΑΝΙΔΙΣ Σ.Α. ΑΛΥΜΙΝΙΟΥ ΣΥΣΤΗΜΑΤΩΝ ΚΑΙ ΠΡΟΣΒΑΝΤΩΝ</p> | |
| <p>PANIDIS S.A. PRODUCTION OF ALUMINUM RAILING SYSTEMS & ACCESSORIES TEL: +30 2310 780352-784 519, FAX: +30 2310 783764 www.panidis-sa.com e-mail: info@panidis-sa.com</p> | |
| <p>DWG NO. MBT-110</p> | |
| MATERIAL: | WEIGHT: |
| REVISION: | DO NOT SCALE DRAWING |
| <p>UNLESS OTHERWISE SPECIFIED: DIMENSIONS ARE IN MILLIMETERS</p> | |
| TOLERANCES: | <p>LINEAR: ANGULAR:</p> |



| | |
|--|----------------------|
|  | |
| PANIDIS S.A. PRODUCTION OF ALUMINUM RAILING SYSTEMS & ACCESSORIES TEL: +30 2310 780352-784 519, FAX: +30 2310 783764 www.panidis-sa.com e-mail: info@panidis-sa.com | |
| DWG NO. <h2 style="margin: 0;">MBT-310</h2> | |
| MATERIAL: | WEIGHT: |
| REVISION: | DO NOT SCALE DRAWING |
| UNLESS OTHERWISE SPECIFIED: DIMENSIONS ARE IN MILLIMETERS | |
| TOLERANCES: | LINEAR: ANGULAR: |