

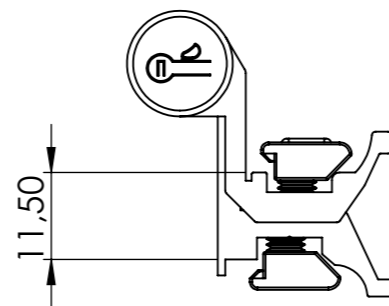
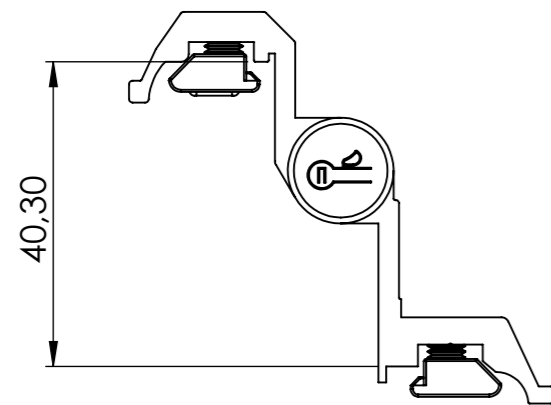
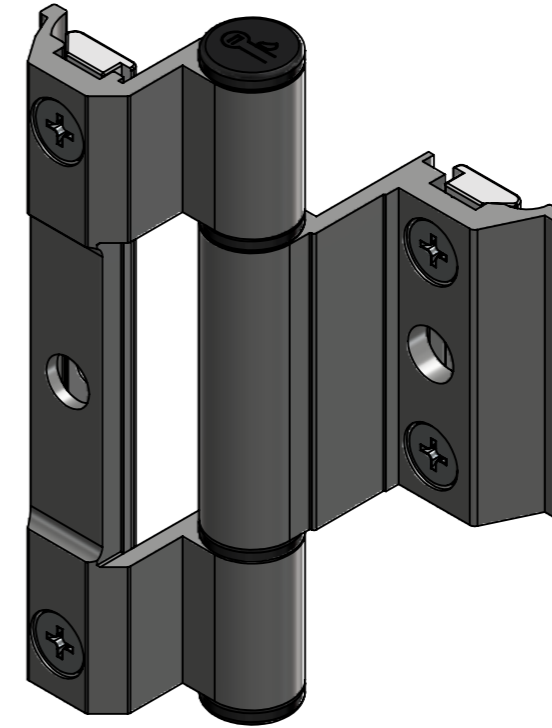
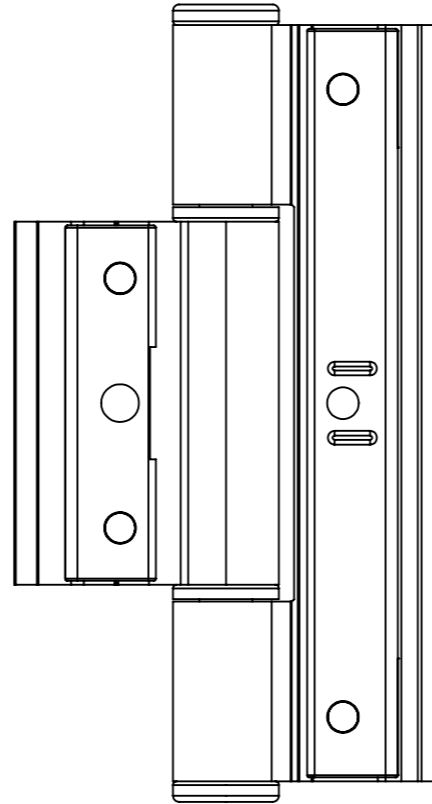
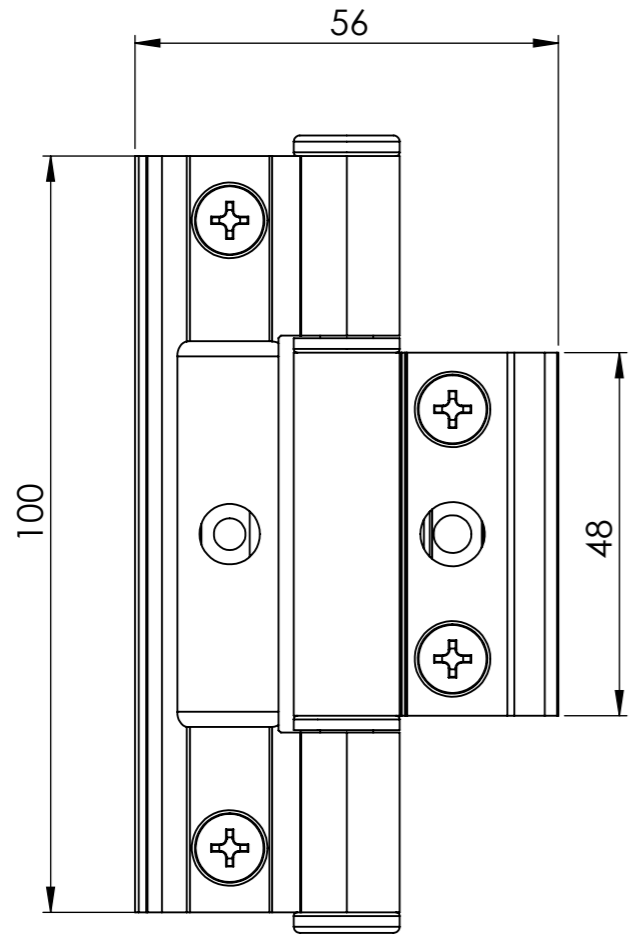
PANIDIS 
 MAKEDONIKI • ALUMINIUM SYSTEM COMPONENTS

PANIDIS S.A.
 PRODUCTION OF ALUMINIUM RAILING SYSTEMS & ACCESSORIES
 TEL: +30 2310 780352-784 519, FAX: +30 2310 783764
 www.panidis-sa.com e-mail: info@panidis-sa.com

DWG NO. **M-10-PR**

MATERIAL:	WEIGHT:
REVISION:	DATE: 13/3/2023
UNLESS OTHERWISE SPECIFIED: DIMENSIONS ARE IN MILLIMETERS	DO NOT SCALE DRAWING
TOLERANCES: LINEAR: ANGULAR:	SHEET 1 OF 2 SCALE: 1:1

A3



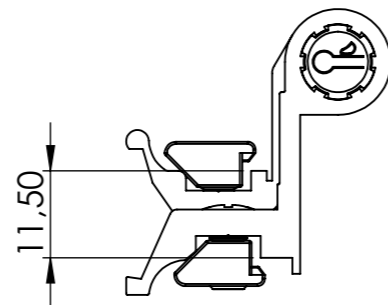
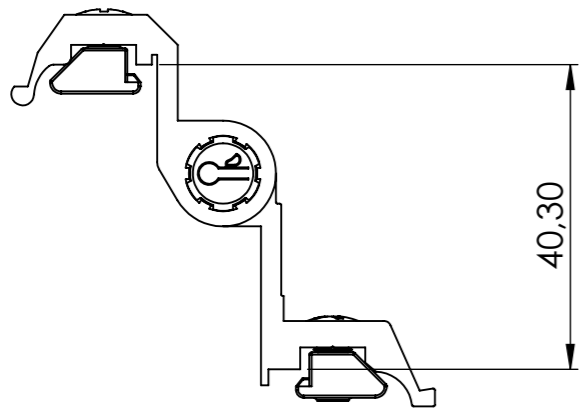
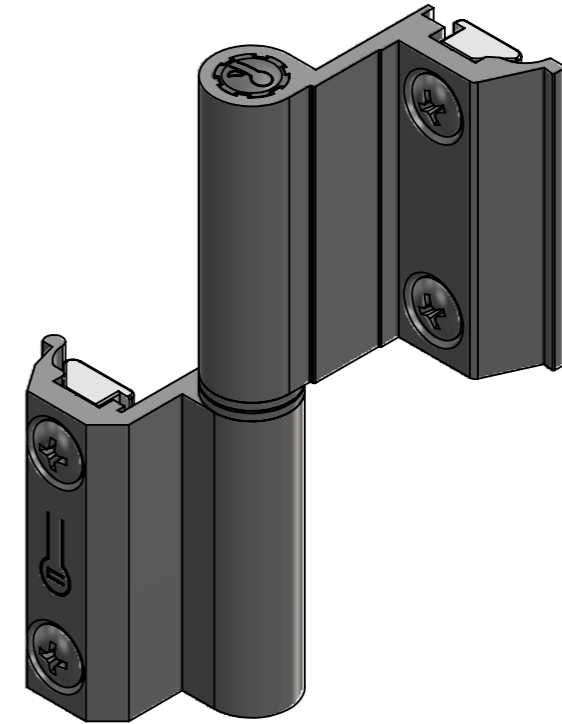
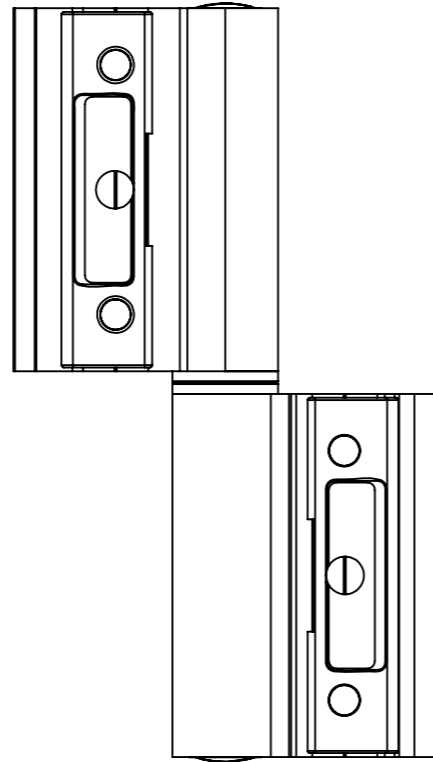
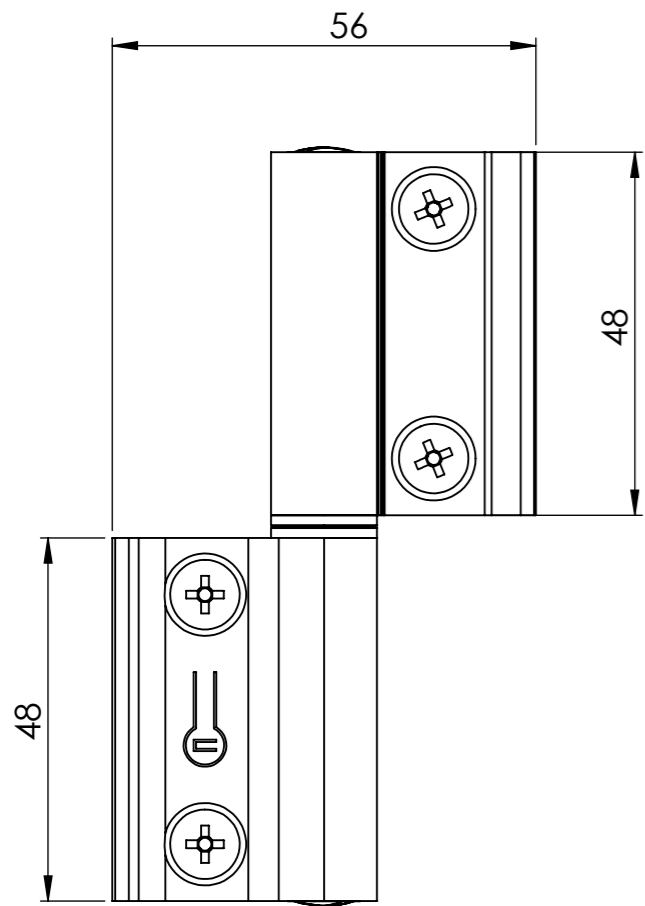
PANIDIS 
 ΠΑΝΙΔΙΣ - ΑΛΥΜΙΝΙΟΥ ΣΥΣΤΗΜΑΤΑ ΚΑΙ ΑΝΕΞΑΡΤΗΤΑ

PANIDIS S.A.
 PRODUCTION OF ALUMINUM RAILING SYSTEMS & ACCESSORIES
 TEL: +30 2310 780352-784 519, FAX: +30 2310 783764
 www.panidis-sa.com e-mail: info@panidis-sa.com

DWG NO.

M-10-S

MATERIAL:	WEIGHT:
REVISION:	DO NOT SCALE DRAWING
UNLESS OTHERWISE SPECIFIED: DIMENSIONS ARE IN MILLIMETERS	
TOLERANCES:	LINEAR: ANGULAR:

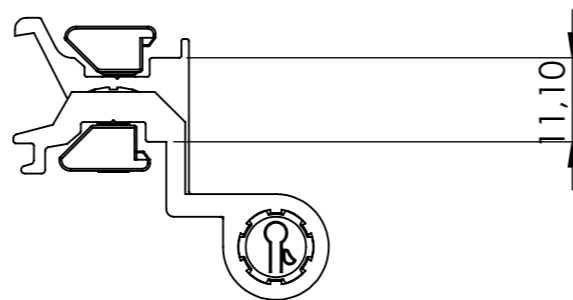
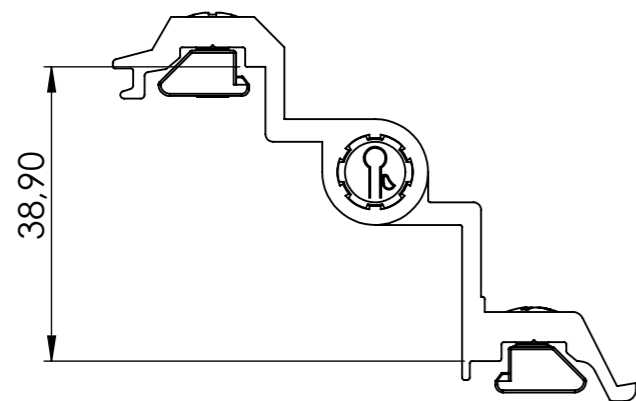
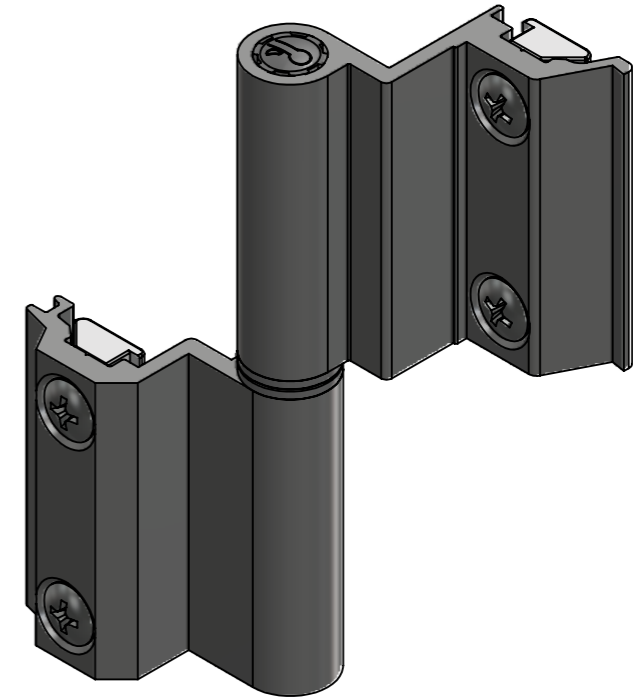
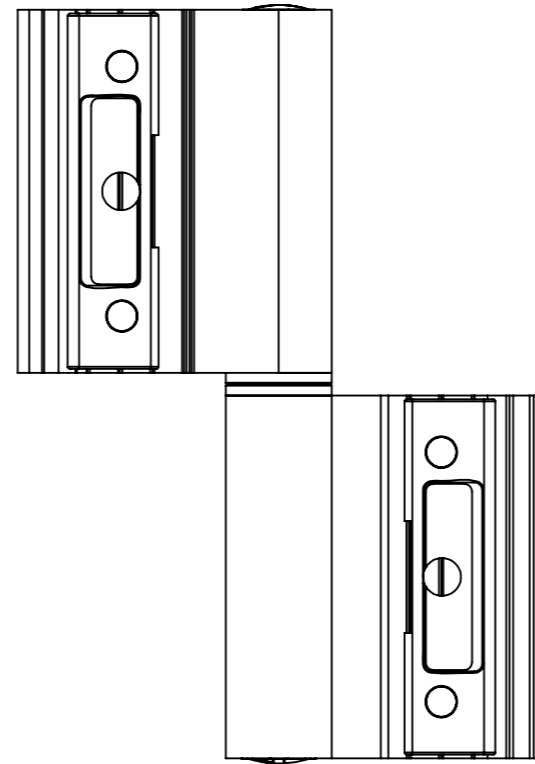
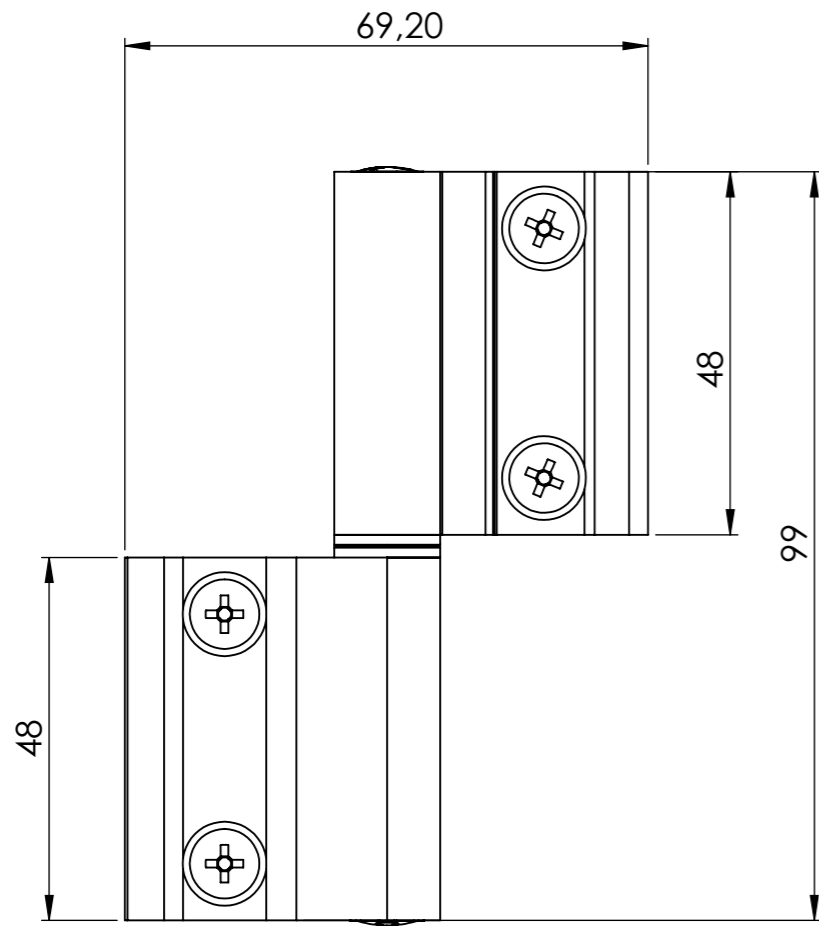


PANIDIS 
 ΠΑΝΙΔΙΣ - ΑΛΥΜΙΝΙΟΥ ΣΥΣΤΗΜΑ ΚΟΜΠΟΝΕΣ

PANIDIS S.A.
 PRODUCTION OF ALUMINUM RAILING SYSTEMS & ACCESSORIES
 TEL: +30 2310 780352-784 519, FAX: +30 2310 783764
 www.panidis-sa.com e-mail: info@panidis-sa.com

DWG NO.
M-13-PR

MATERIAL:	WEIGHT:
REVISION:	DO NOT SCALE DRAWING
UNLESS OTHERWISE SPECIFIED: DIMENSIONS ARE IN MILLIMETERS	SHEET 2 OF 2
TOLERANCES:	LINEAR: ANGULAR:



PANIDIS 
 ΠΑΝΙΔΙΣ - ΑΛΥΜΙΝΙΟΥ ΣΥΣΤΗΜΑΤΑ ΚΑΙ ΠΡΟΪΟΝΤΑ

PANIDIS S.A.
 PRODUCTION OF ALUMINUM RAILING SYSTEMS & ACCESSORIES
 TEL: +30 2310 780352-784 519, FAX: +30 2310 783764
 www.panidis-sa.com e-mail: info@panidis-sa.com

DWG NO.

MTT-10

MATERIAL:

WEIGHT:

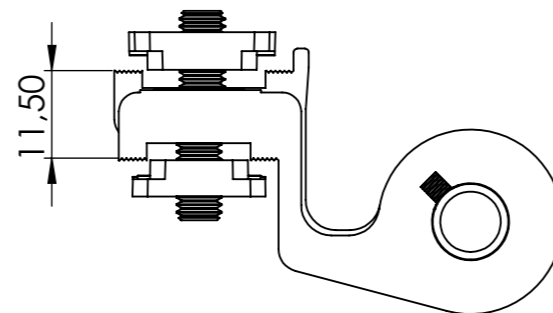
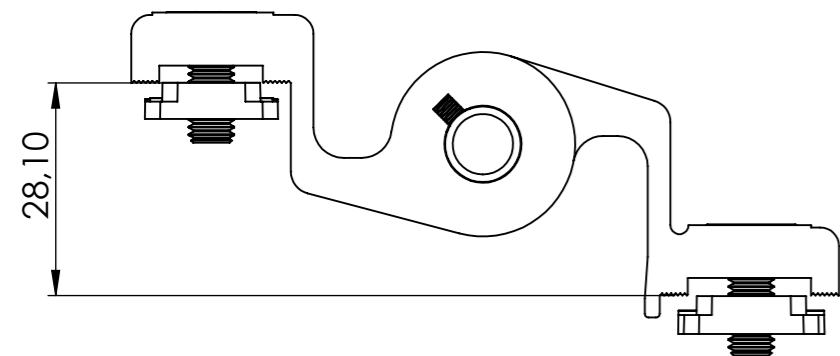
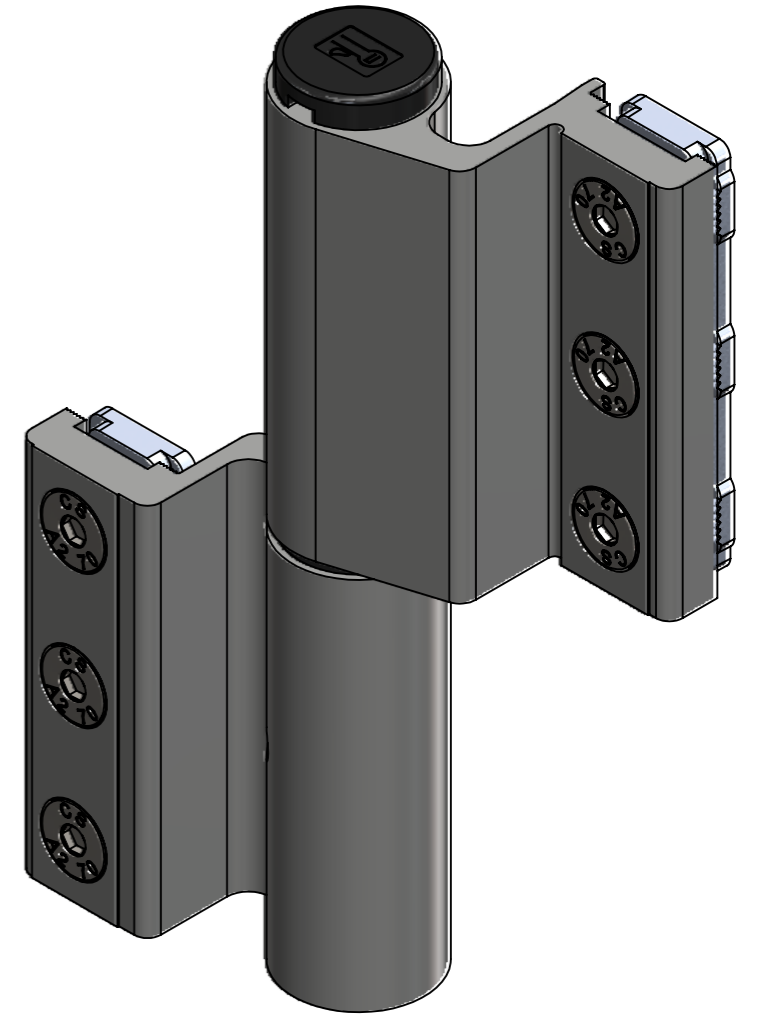
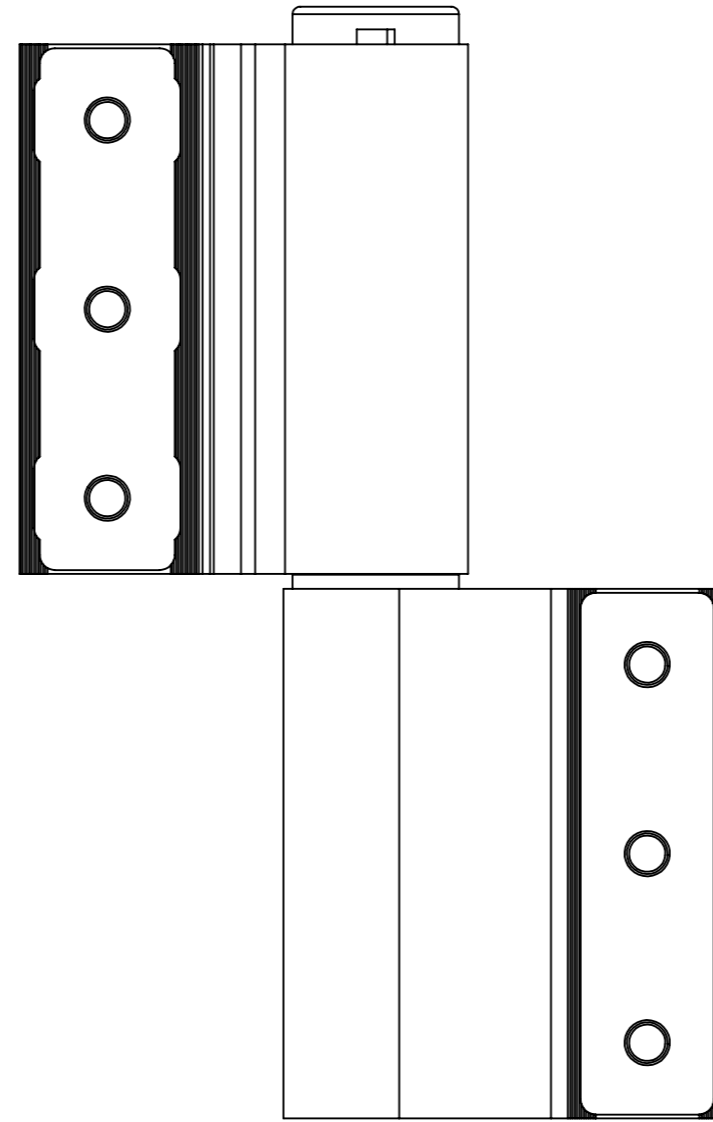
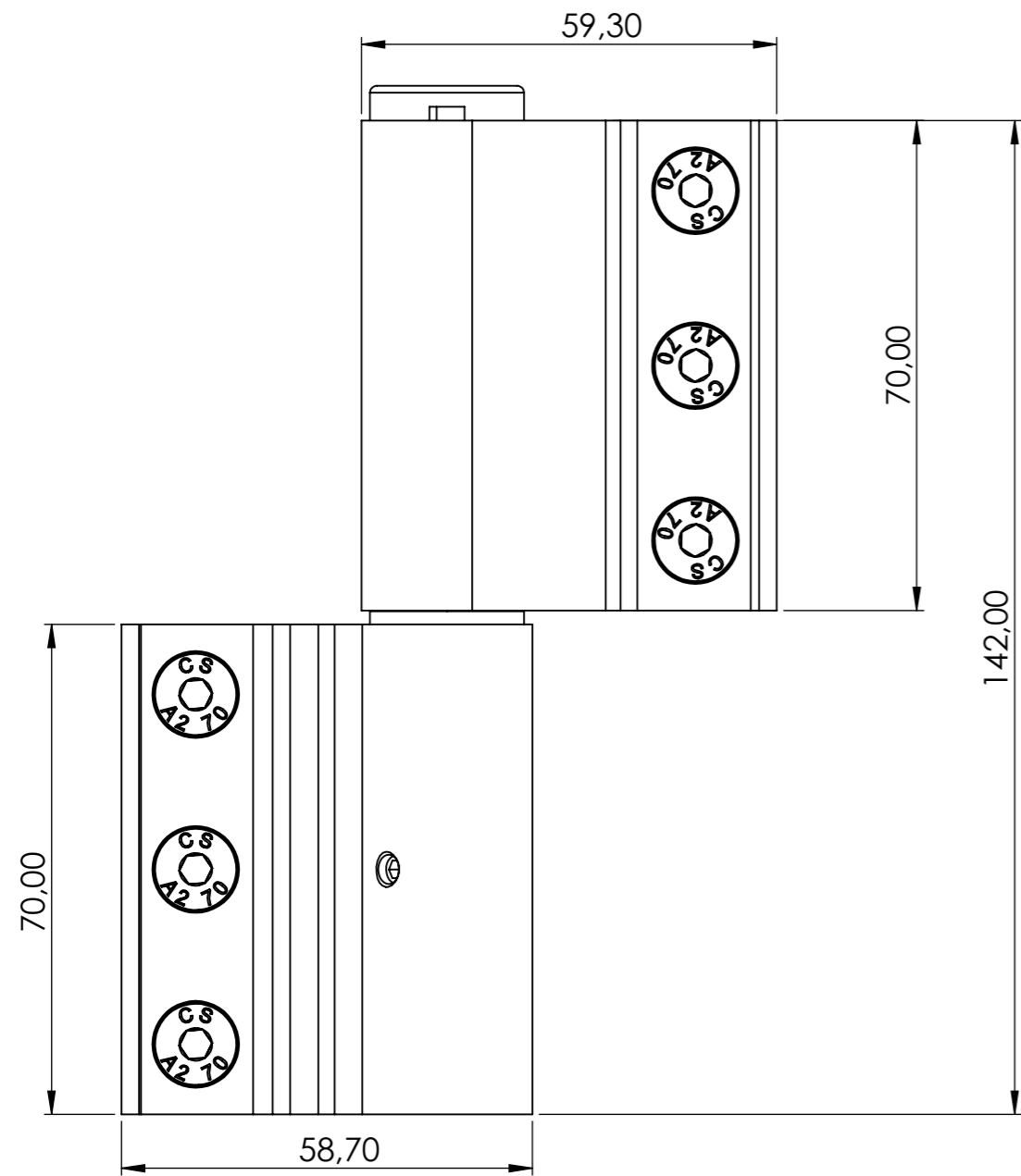
REVISION:

DO NOT SCALE DRAWING

UNLESS OTHERWISE SPECIFIED:
 DIMENSIONS ARE IN MILLIMETERS

TOLERANCES:

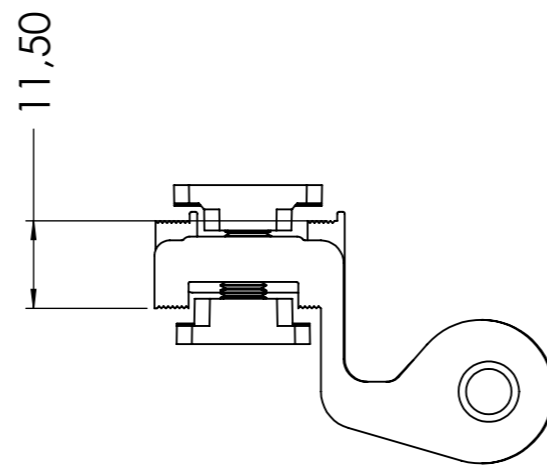
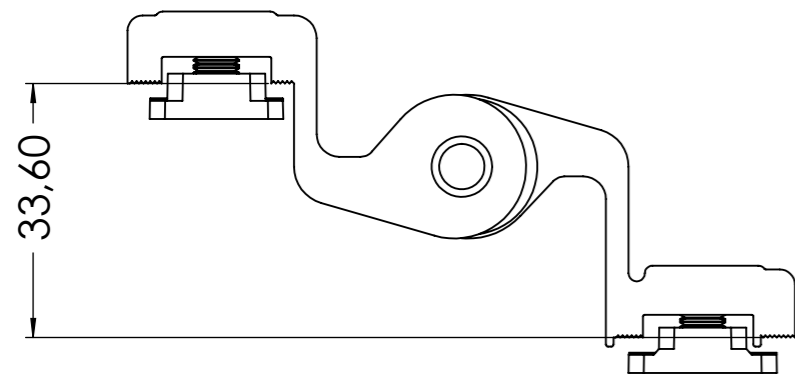
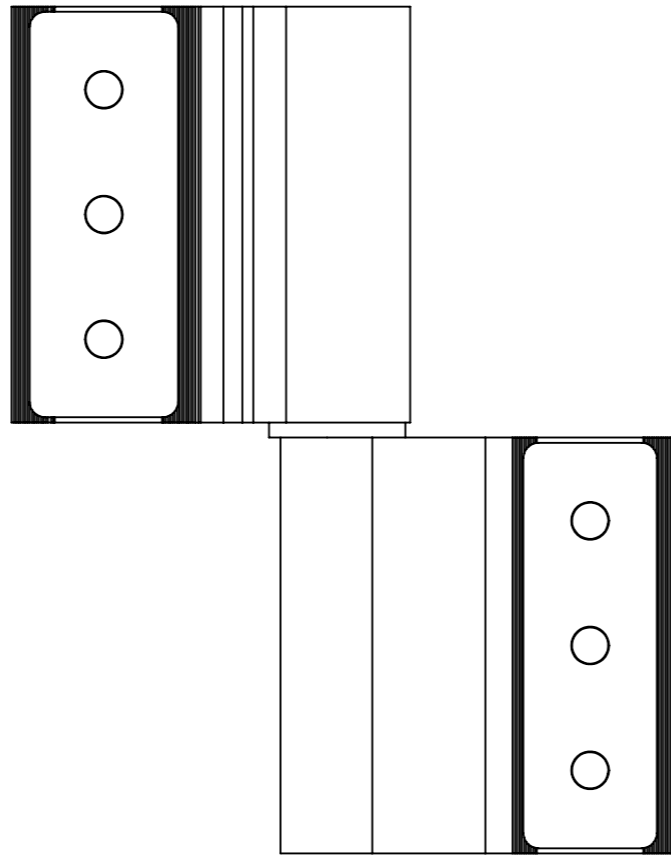
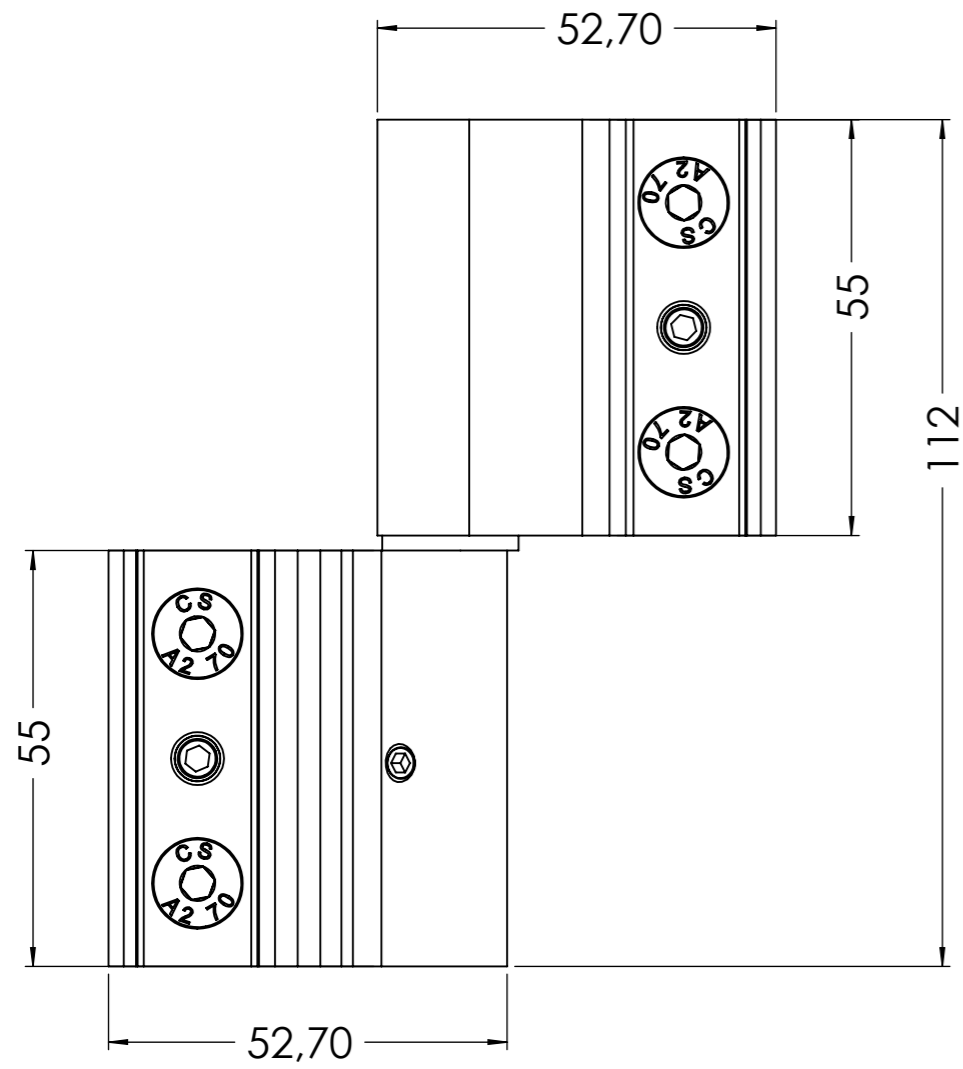
LINEAR:
 ANGULAR:




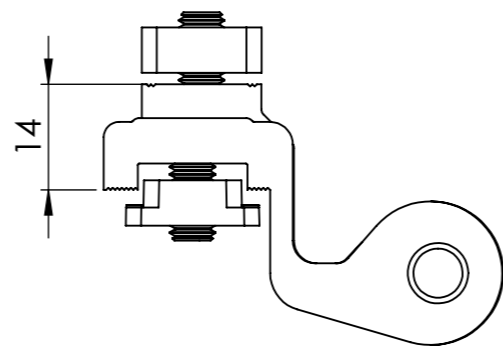
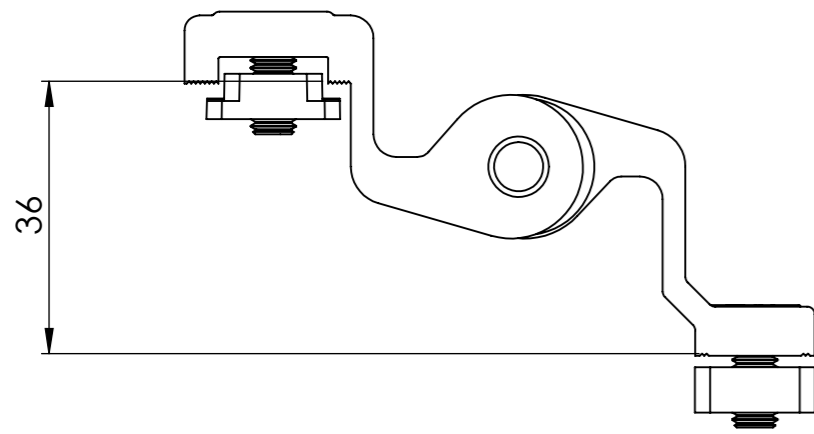
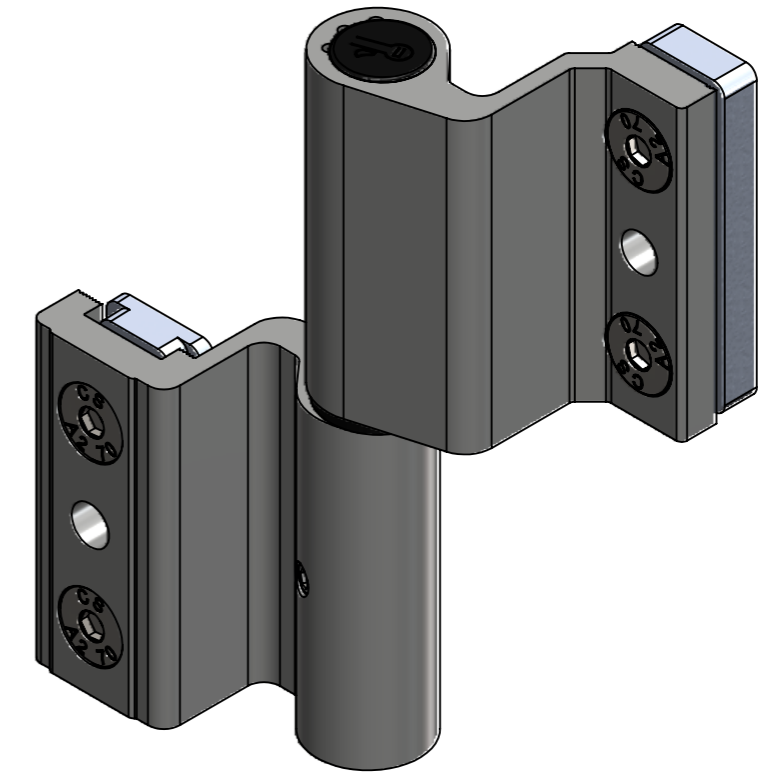
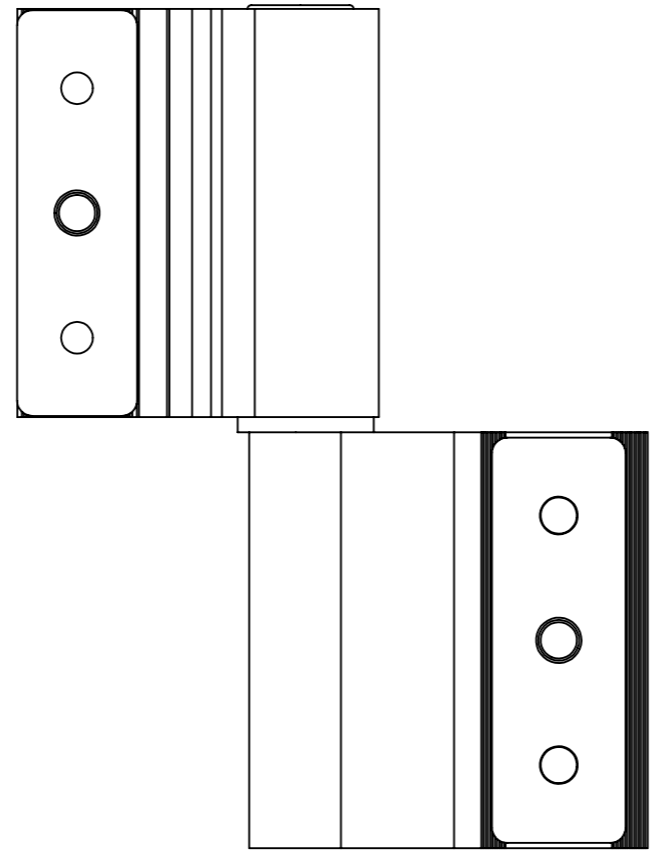
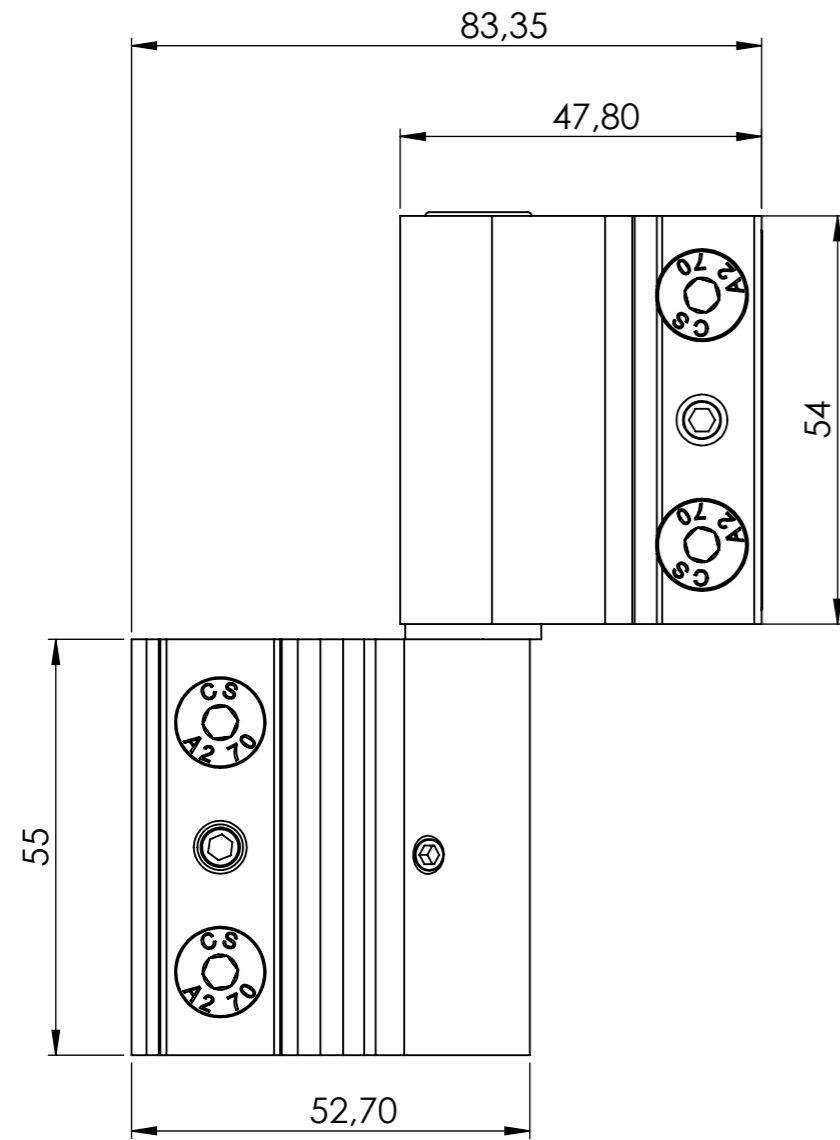
PANIDIS 
 ΠΑΝΙΔΙΣ - ΑΛΥΜΙΝΙΟΥ ΣΥΣΤΗΜΑ ΕΞΑΡΤΗΜΑΤΩΝ


PANIDIS S.A.
 PRODUCTION OF ALUMINUM RAILING SYSTEMS & ACCESSORIES
 TEL: +30 2310 780352-784 519, FAX: +30 2310 783764
 www.panidis-sa.com e-mail: info@panidis-sa.com

DWG NO.		MBT-100	
MATERIAL:	WEIGHT:		
REVISION:	DO NOT SCALE DRAWING		
UNLESS OTHERWISE SPECIFIED: DIMENSIONS ARE IN MILLIMETERS			
TOLERANCES:	LINEAR:		
	ANGULAR:		



	
PANIDIS S.A. PRODUCTION OF ALUMINUM RAILING SYSTEMS & ACCESSORIES TEL: +30 2310 780352-784 519, FAX: +30 2310 783764 www.panidis-sa.com e-mail: info@panidis-sa.com	
DWG NO. <h2 style="margin: 0;">MBT-110</h2>	
MATERIAL:	WEIGHT:
REVISION:	DO NOT SCALE DRAWING
UNLESS OTHERWISE SPECIFIED: DIMENSIONS ARE IN MILLIMETERS	
TOLERANCES:	LINEAR: ANGULAR:



	
PANIDIS S.A. PRODUCTION OF ALUMINUM RAILING SYSTEMS & ACCESSORIES TEL: +30 2310 780352-784 519, FAX: +30 2310 783764 www.panidis-sa.com e-mail: info@panidis-sa.com	
DWG NO. <h2 style="margin: 0;">MBT-310</h2>	
MATERIAL:	WEIGHT:
REVISION:	DO NOT SCALE DRAWING
UNLESS OTHERWISE SPECIFIED: DIMENSIONS ARE IN MILLIMETERS	
TOLERANCES:	LINEAR: ANGULAR: