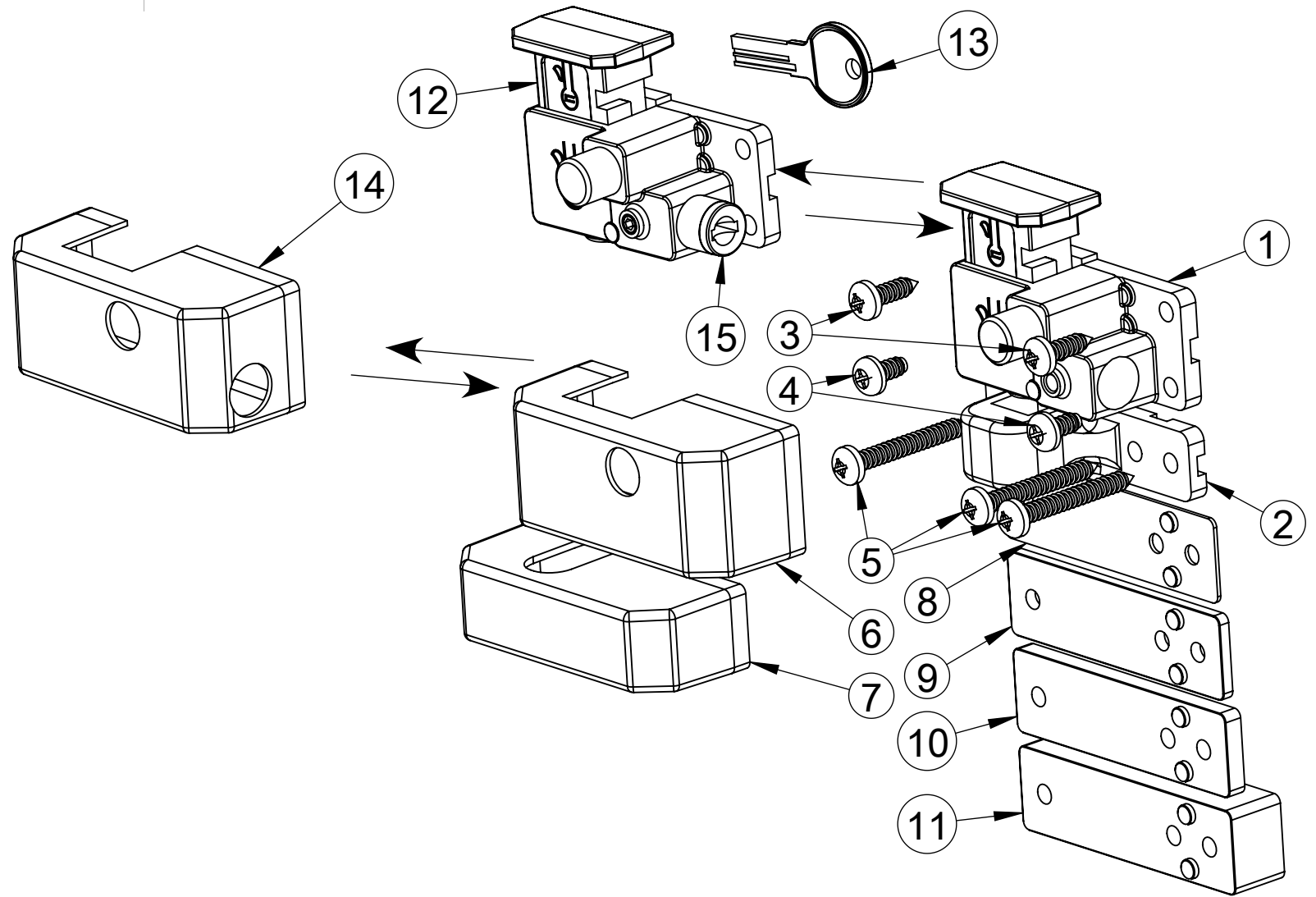
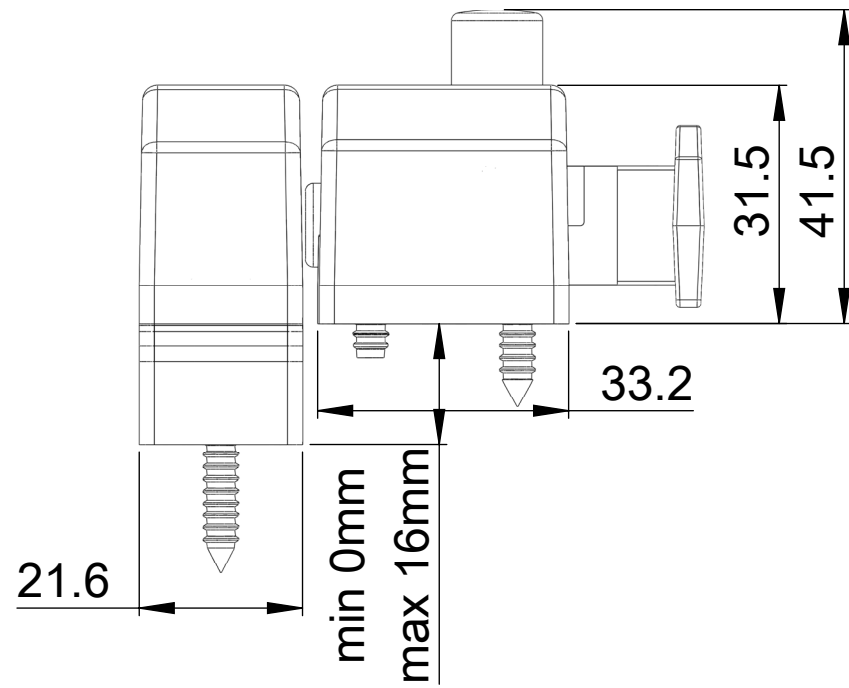
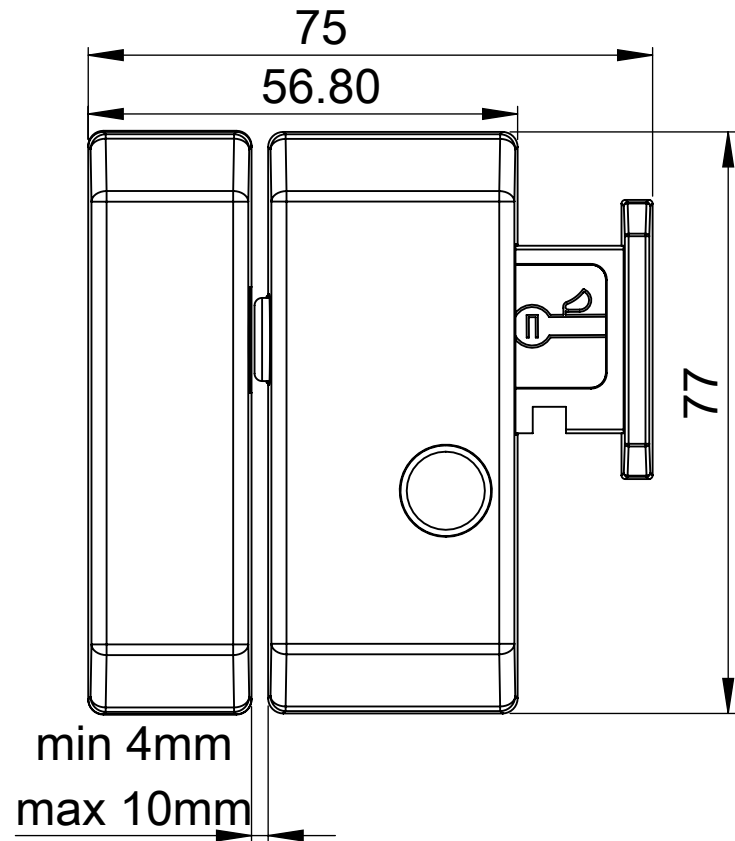
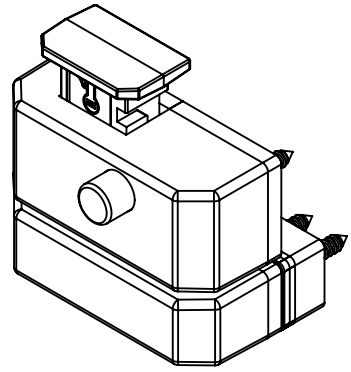


P-Safe

for doors & opening windows



UNLESS OTHERWISE SPECIFIED:
DIMENSIONS ARE IN MILLIMETERS
SURFACE FINISH:
TOLERANCES:
LINEAR:
ANGULAR:

MAKEDONIKI - PANIDIS S.A.
PRODUCTION OF ALUMINUM RAILING SYSTEMS
"MAK-SYSTEM" & ACCESSORIES
TEL:+30 2310 780352-784 519, FAX: +30 2310 783764
www.makedoniki-panidis.gr e-mail: info@makedoniki-panidis.gr

DEBUR AND
BREAK SHARP
EDGES

DO NOT SCALE DRAWING

REVISION

MAKEDONIKI PANIDIS S.A.



NAME	SIGNATURE	DATE
DRAWN		
CHK'D		
APPV'D		
MFG		
Q.A		
MATERIAL:		
WEIGHT:		

DWG NO.
TITLE:

P-safe
KA-600 & KA-601

A3

SCALE:1:1

SHEET 1 OF 1