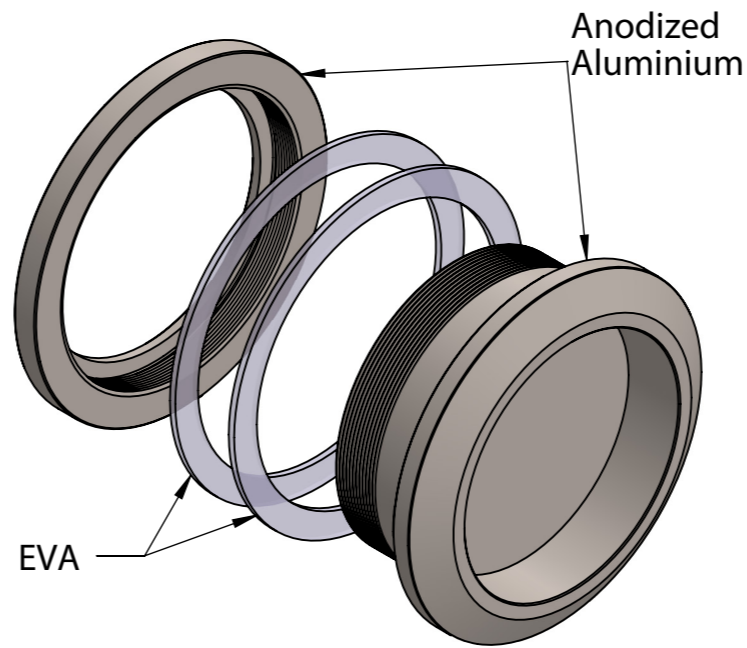
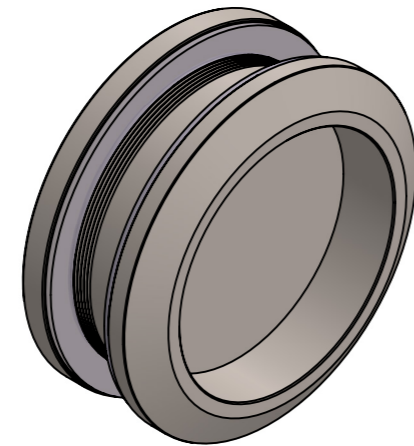
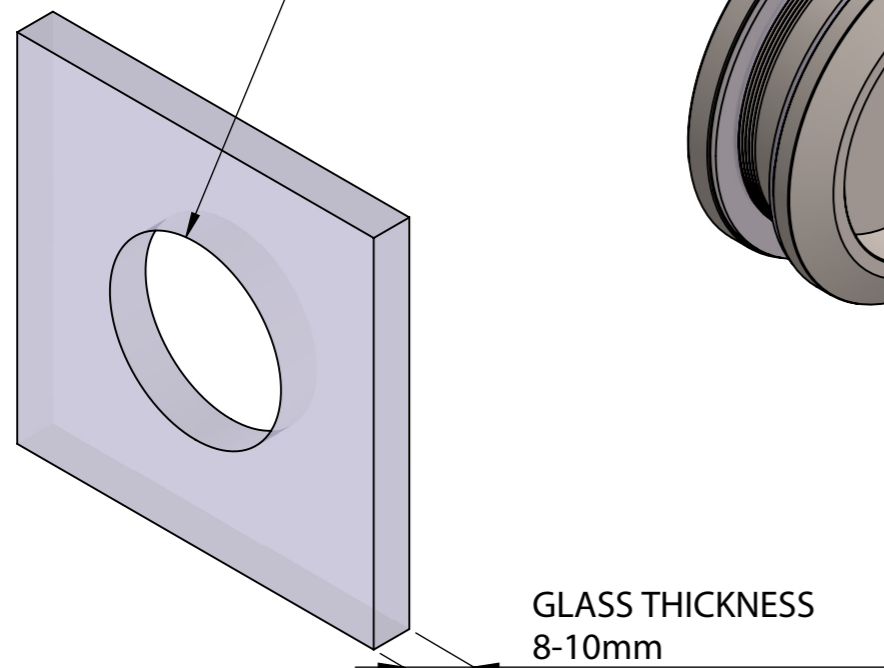


GLASS HOLE  $\phi 48$



**PANIDIS**   
MAKEDONIKI • ALUMINIUM SYSTEM COMPONENTS

PANIDIS S.A.  
PRODUCTION OF ALUMINIUM RAILING SYSTEMS & ACCESSORIES  
TEL: +30 2310 780352-784 519, FAX: +30 2310 783764  
www.panidis-sa.com e-mail: info@panidis-sa.com

DWG NO.

**GS-R15**

MATERIAL: ANODIZED ALUMINIUM

WEIGHT:

REVISION: DATE:

DO NOT SCALE DRAWING

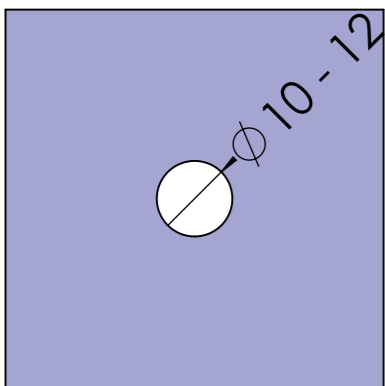
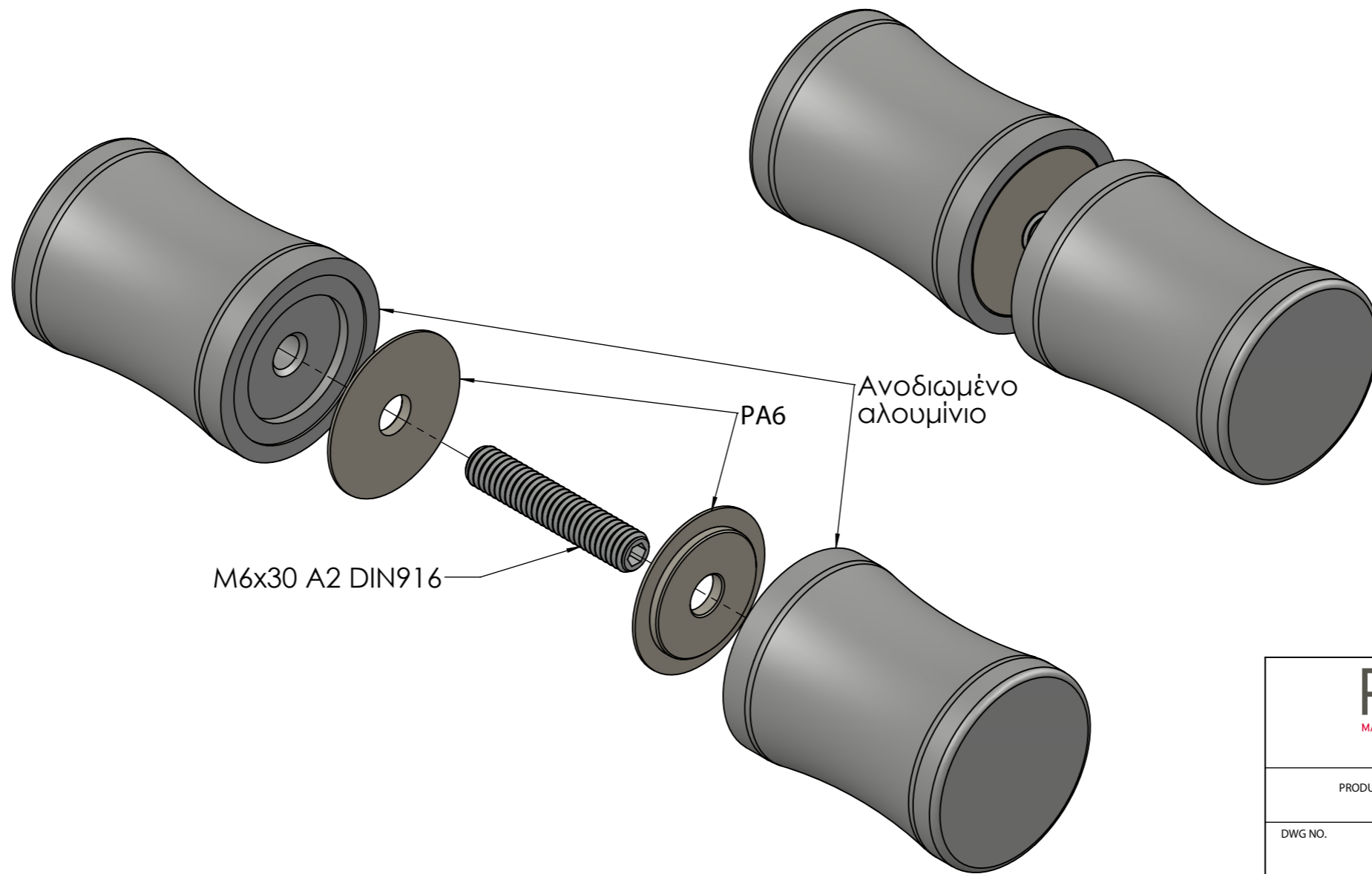
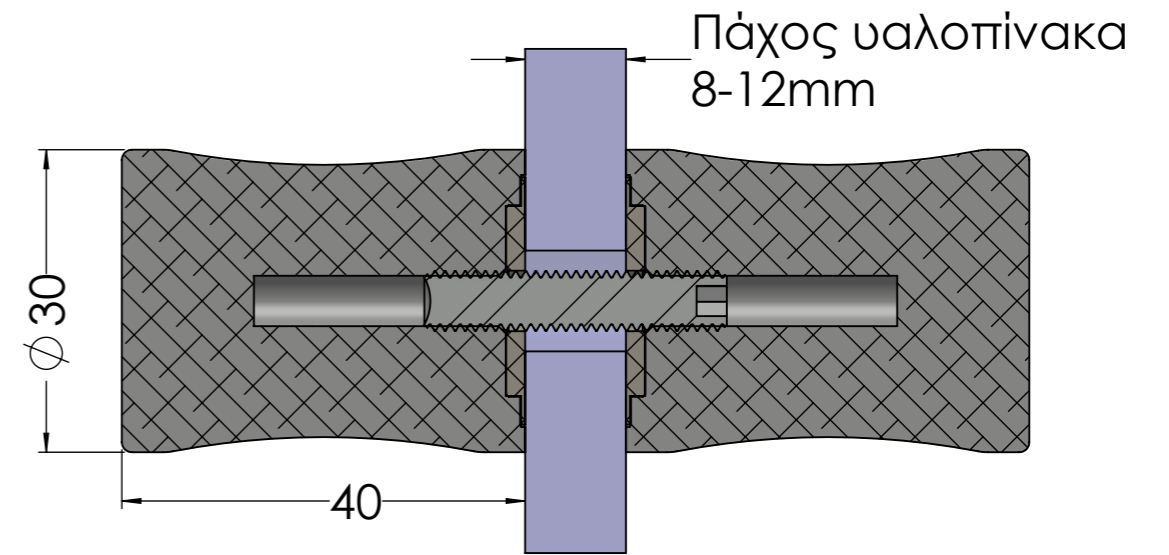
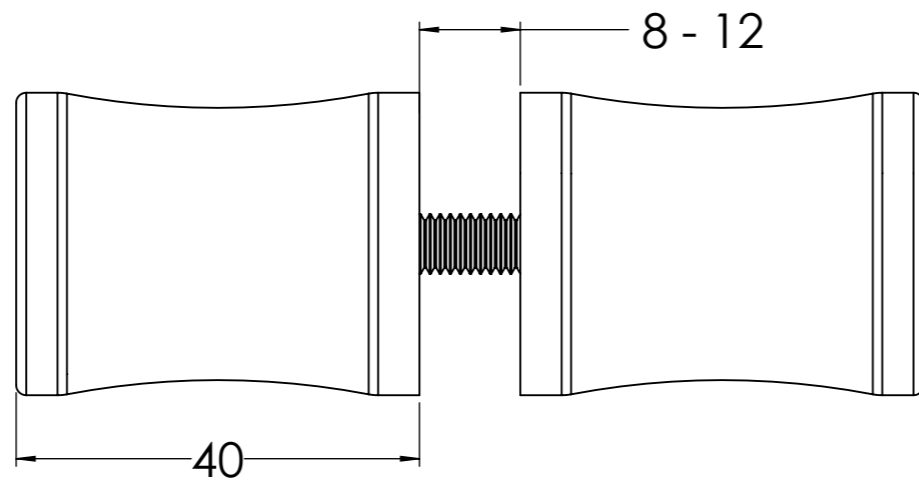
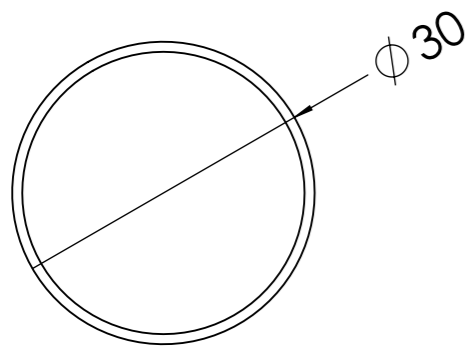
UNLESS OTHERWISE SPECIFIED:  
DIMENSIONS ARE IN MILLIMETERS

SHEET 1 OF 1

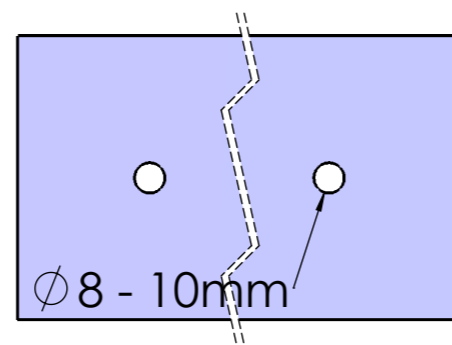
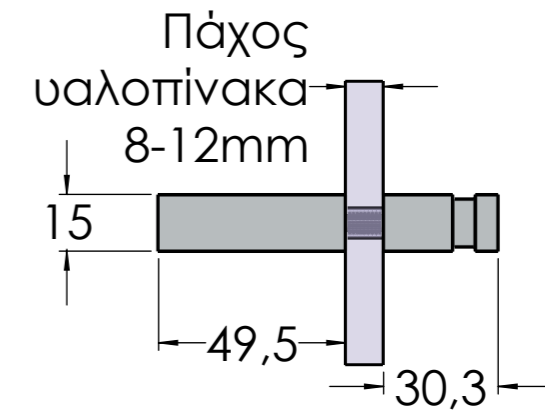
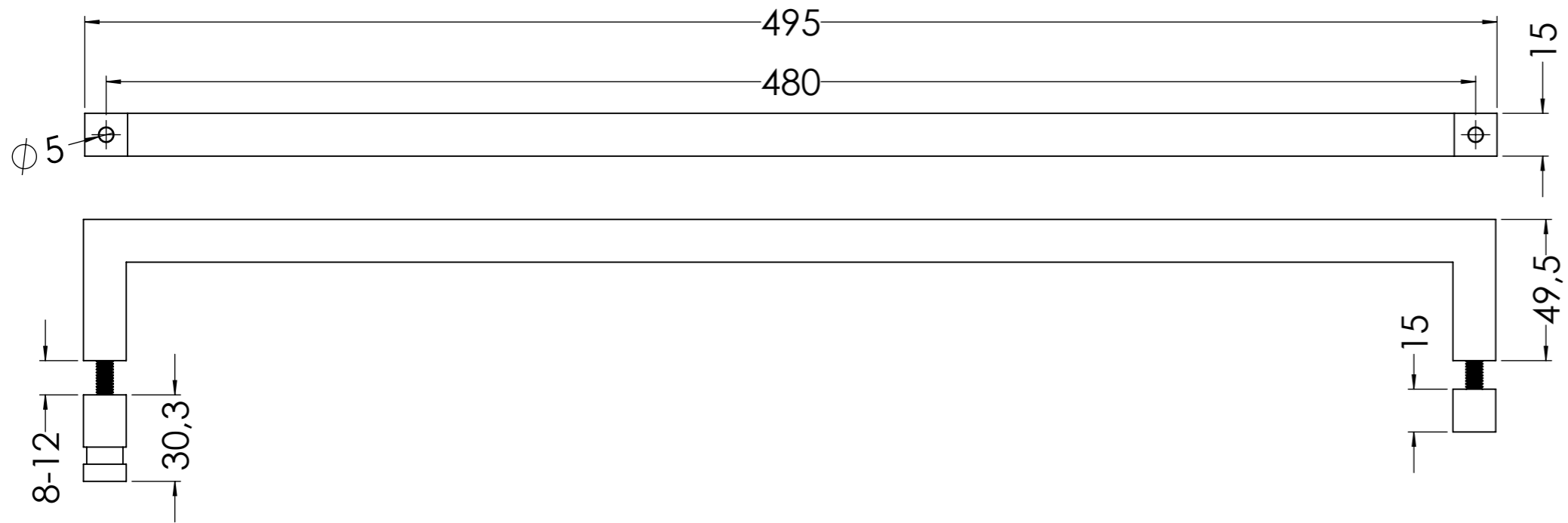
TOLERANCES: LINEAR: ANGULAR:

SCALE: 1:1

**A3**



<b>PANIDIS</b>  <small>MAKEDONIKI • ALUMINIUM SYSTEM COMPONENTS</small>	
<small>PANIDIS S.A.          PRODUCTION OF ALUMINIUM RAILING SYSTEMS &amp; ACCESSORIES          TEL:+30 2310 780352-784 519, FAX: +30 2310 783764          www.panidis-sa.com e-mail: info@panidis-sa.com</small>	
DWG NO. <b>GK-10</b>	
MATERIAL:	WEIGHT:
REVISION:	DATE:
<small>UNLESS OTHERWISE SPECIFIED:          DIMENSIONS ARE IN MILLIMETERS</small>	
TOLERANCES: LINEAR:	ANGULAR:
SHEET 2 OF 3 SCALE:2:1	
<b>A3</b>	



**PANIDIS** P  
 MAKEDONIKI • ALUMINIUM SYSTEM COMPONENTS

PANIDIS S.A  
 PRODUCTION OF ALUMINIUM RAILING SYSTEMS & ACCESSORIES  
 TEL: +30 2310 780352-784 519, FAX: +30 2310 783764  
 www.panidis-sa.com e-mail: info@panidis-sa.com

DWG NO.

GHT-500

MATERIAL:

WEIGHT:

REVISION:

DATE: 13/3/2023

DO NOT SCALE DRAWING

UNLESS OTHERWISE SPECIFIED:  
 DIMENSIONS ARE IN MILLIMETERS

SHEET 2 OF 2

TOLERANCES:

LINEAR:  
 ANGULAR:

SCALE: 1:3

A3