

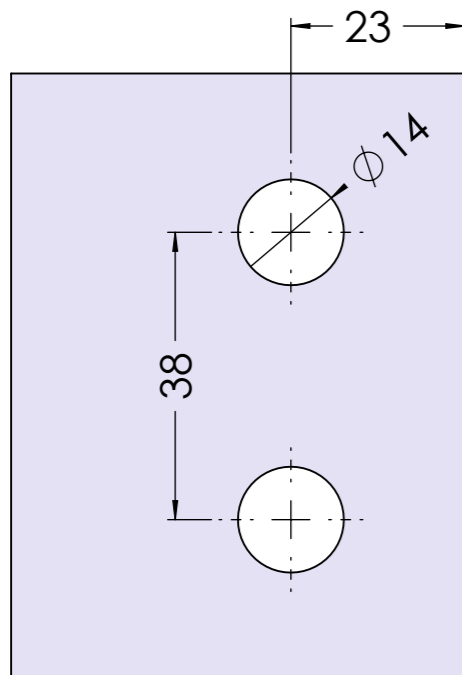
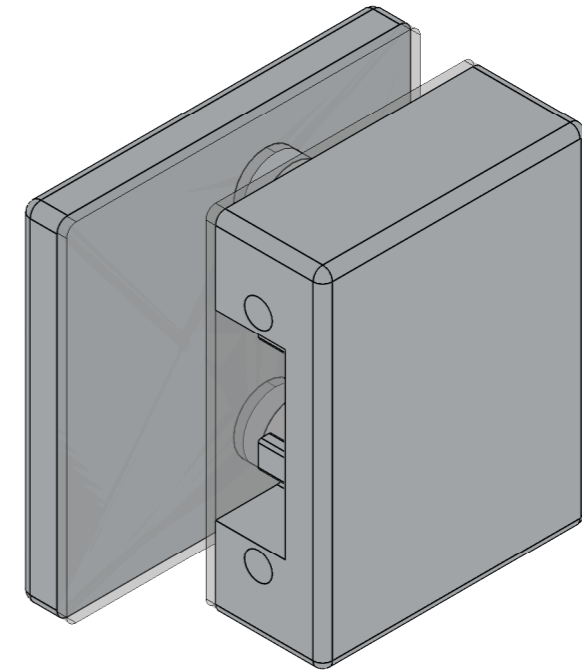
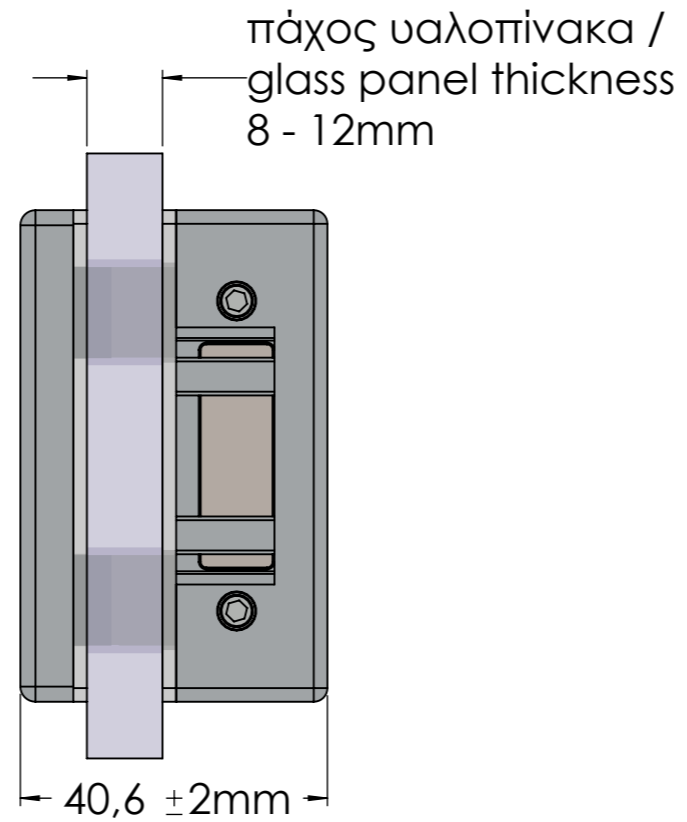
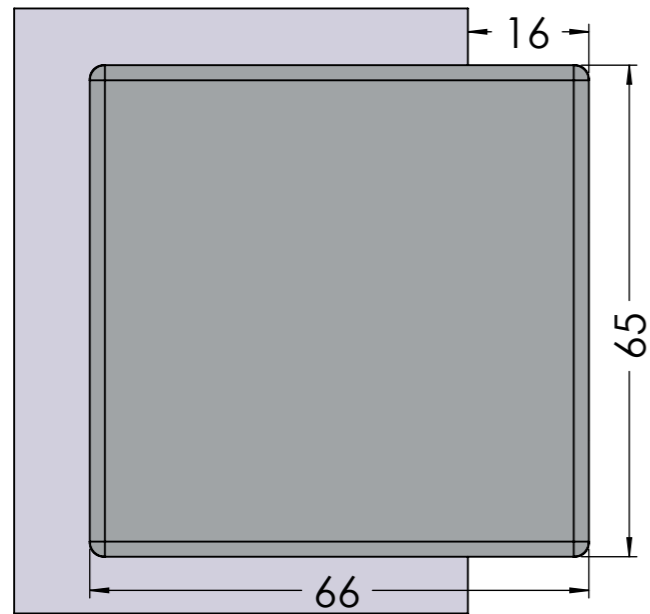
**PANIDIS**   
 MAKEDONIKI • ALUMINIUM SYSTEM COMPONENTS

PANIDIS S.A.  
 PRODUCTION OF ALUMINIUM RAILING SYSTEMS & ACCESSORIES  
 TEL: +30 2310 780352-784 519, FAX: +30 2310 783764  
 www.panidis-sa.com e-mail: info@panidis-sa.com

DWG NO. **GL-100 Technical sheet**

MATERIAL:	WEIGHT:
REVISION:	DATE: 27/7/2023
UNLESS OTHERWISE SPECIFIED: DIMENSIONS ARE IN MILLIMETERS	DO NOT SCALE DRAWING
TOLERANCES:	LINEAR: SHEET 1 OF 1
ANGULAR:	SCALE: 1:2

A3



**PANIDIS**   
 MAKEDONIKI • ALUMINIUM SYSTEM COMPONENTS

PANIDIS S.A.  
 PRODUCTION OF ALUMINIUM RAILING SYSTEMS & ACCESSORIES  
 TEL: +30 2310 780352-784 519, FAX: +30 2310 783764  
 www.panidis-sa.com e-mail: info@panidis-sa.com

DWG NO.

**GL-101**

MATERIAL:

WEIGHT:

REVISION: DATE: 10/2/2022

DO NOT SCALE DRAWING

UNLESS OTHERWISE SPECIFIED:  
 DIMENSIONS ARE IN MILLIMETERS

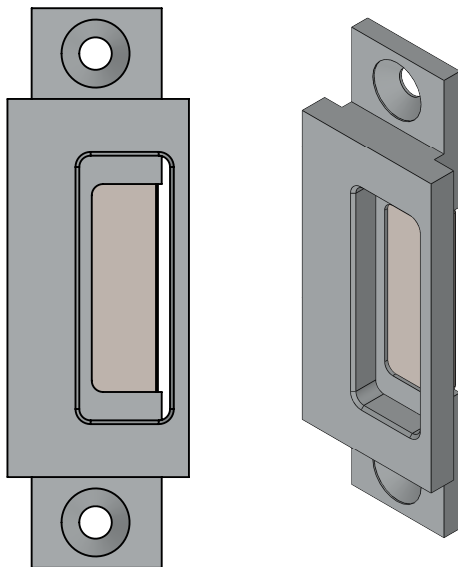
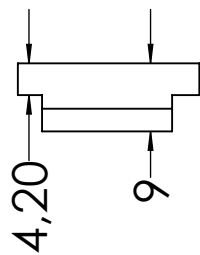
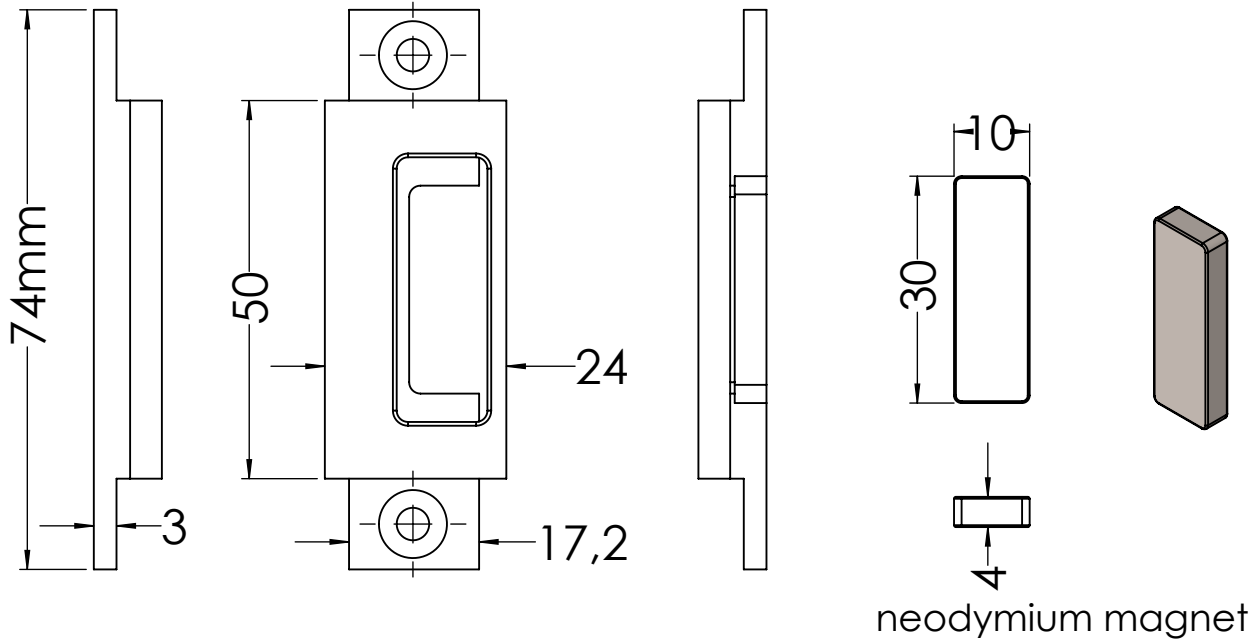
SHEET 1 OF 1


TOLERANCES: LINEAR:  
 ANGULAR:

SCALE: 1:1

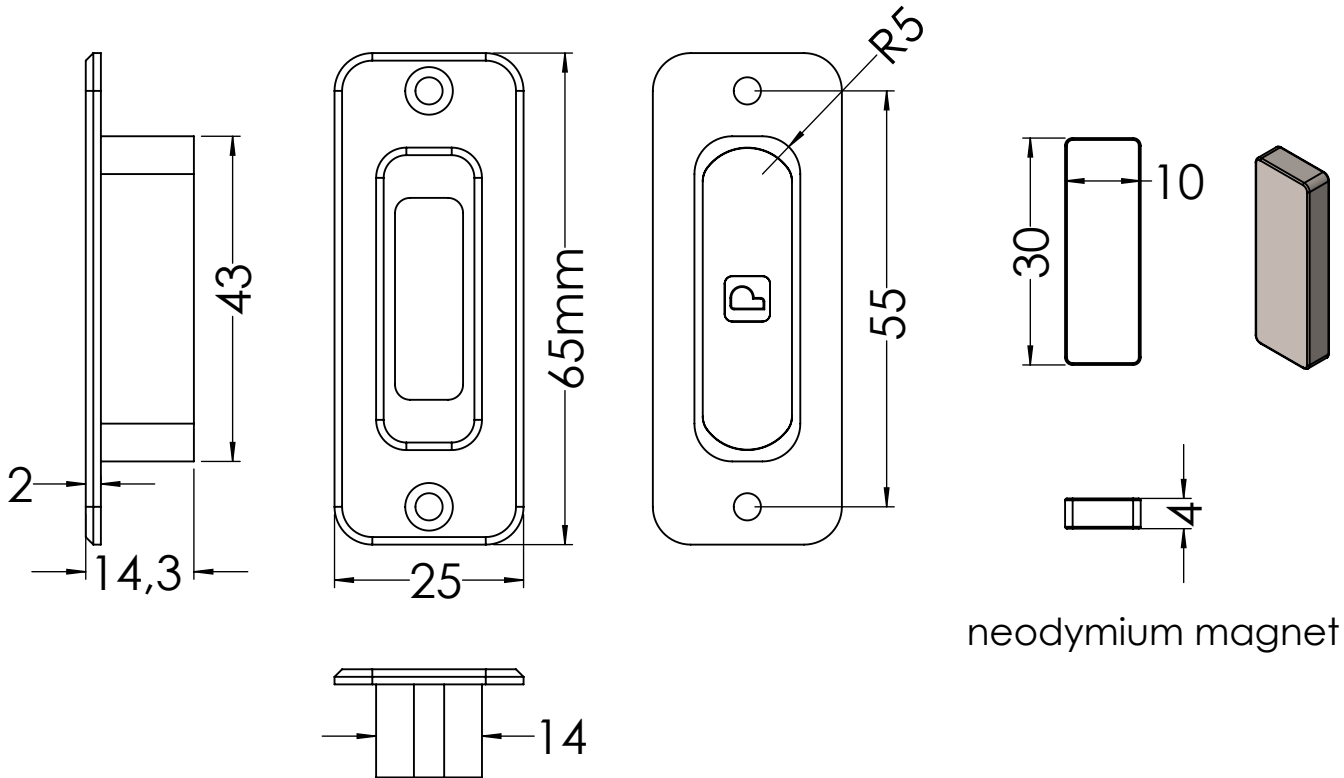
**A3**

# magnetic strike plate for GF-10 / GF-10-M / GF-20

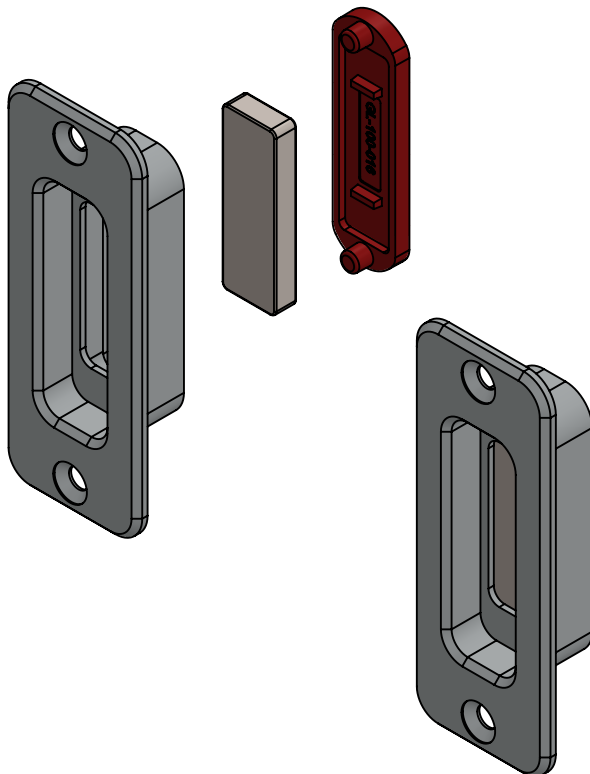


 <p><b>PANIDIS</b> MAKEDONIKI • ALUMINIUM SYSTEM COMPONENTS</p>		
<p><b>PANIDIS S.A.</b> PRODUCTION OF ALUMINIUM RAILING SYSTEMS &amp; ACCESSORIES TEL:+30 2310 780352-784 519, FAX: +30 2310 783764 www.panidis-sa.com e-mail: info@panidis-sa.com</p>		
DWG NO.		<b>GL-102</b>
MATERIAL: ANODIZED ALUMINIUM	WEIGHT:	
REVISION:	DATE:	DO NOT SCALE DRAWING
UNLESS OTHERWISE SPECIFIED: DIMENSIONS ARE IN MILLIMETERS		SHEET 1 OF 1
TOLERANCES:	LINEAR:	SCALE:1:1
	ANGULAR:	<b>A4</b>

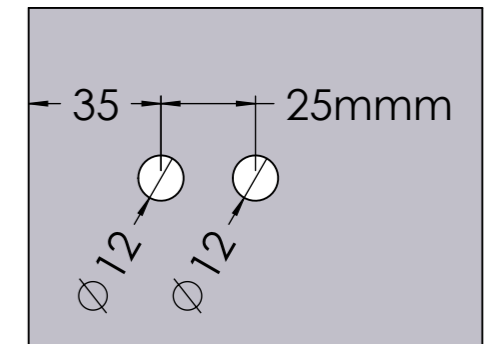
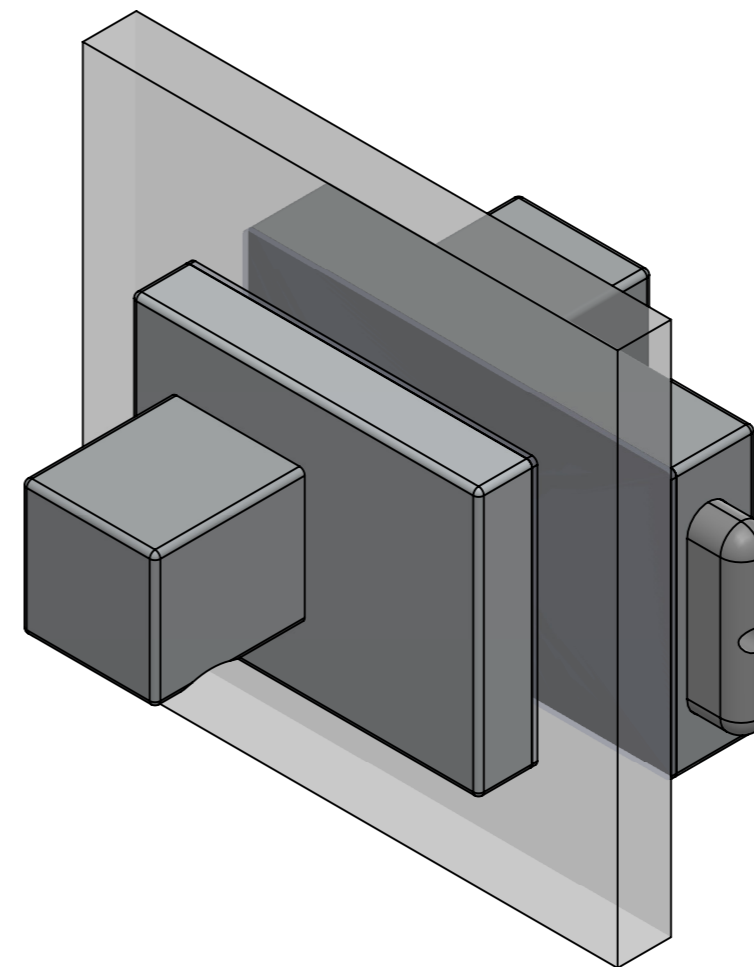
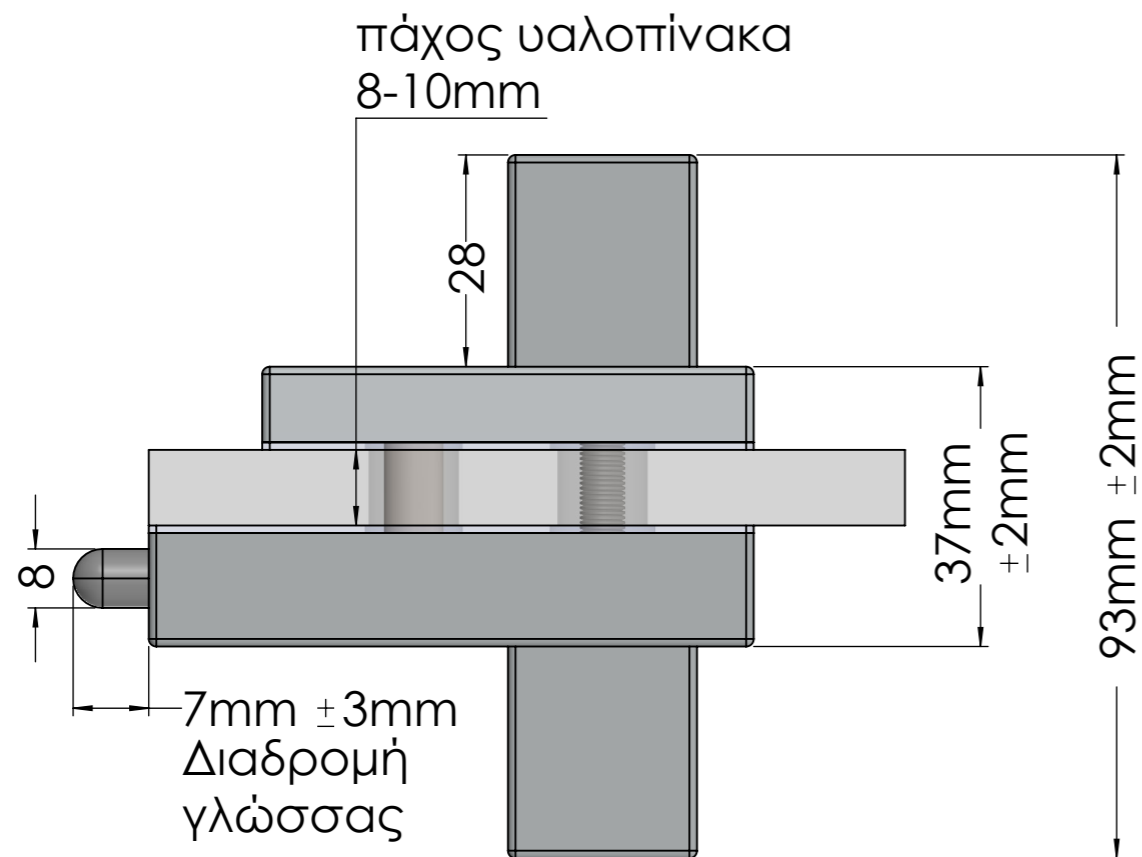
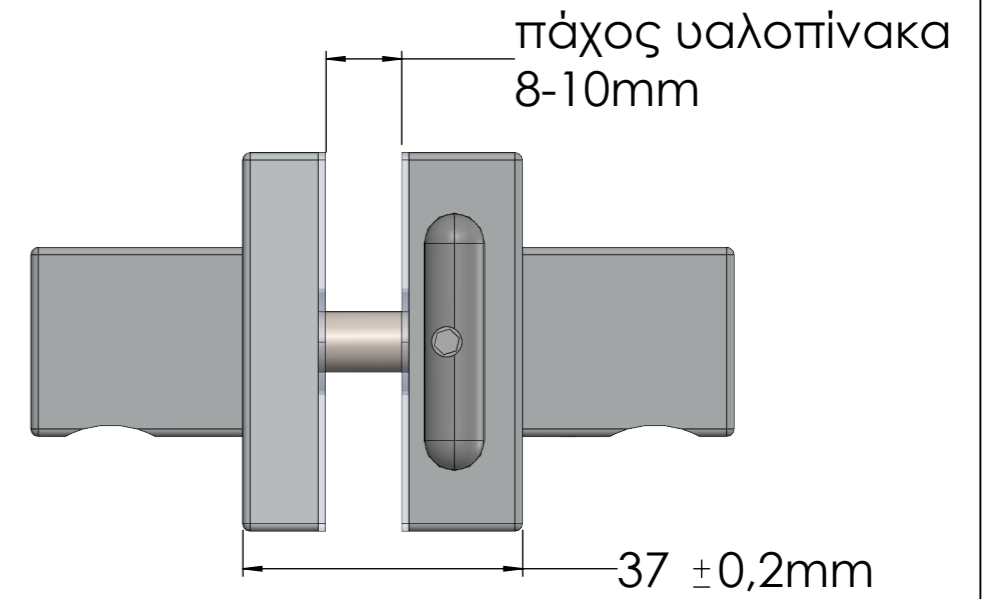
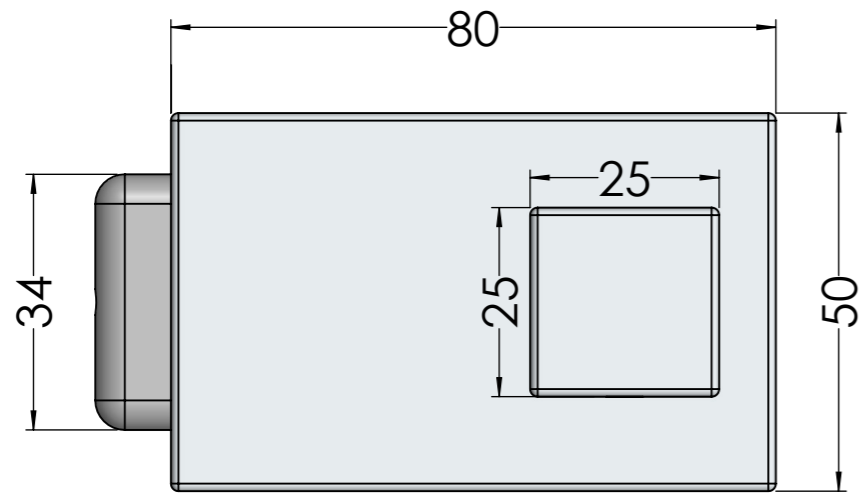
# universal magnetic strike plate



neodymium magnet



 <p><b>PANIDIS</b> MAKEDONIKI • ALUMINIUM SYSTEM COMPONENTS</p>		
<p><b>PANIDIS S.A</b> PRODUCTION OF ALUMINIUM RAILING SYSTEMS &amp; ACCESSORIES TEL:+30 2310 780352-784 519, FAX: +30 2310 783764 www.panidis-sa.com e-mail: info@panidis-sa.com</p>		
DWG NO.		
<b>GL-104</b>		
MATERIAL: ANODIZED ALUMINIUM	WEIGHT:	
REVISION:	DATE:	DO NOT SCALE DRAWING
UNLESS OTHERWISE SPECIFIED: DIMENSIONS ARE IN MILLIMETERS		SHEET 1 OF 1
TOLERANCES:	LINEAR:	SCALE:1:1
	ANGULAR:	<b>A4</b>



**PANIDIS**   
MAKEDONIKI • ALUMINIUM SYSTEM COMPONENTS

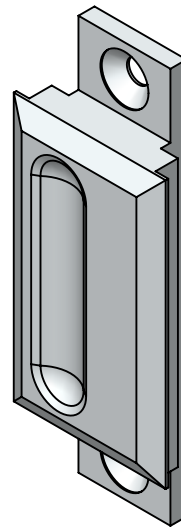
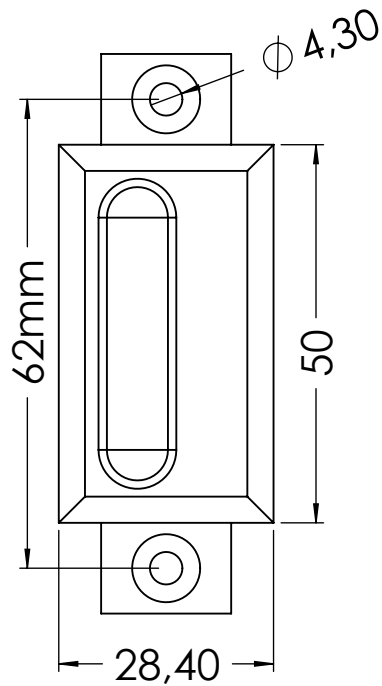
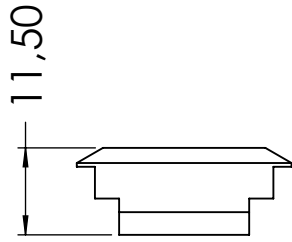
PANIDIS S.A.  
 PRODUCTION OF ALUMINIUM RAILING SYSTEMS & ACCESSORIES  
 TEL: +30 2310 780352-784 519, FAX: +30 2310 783764  
 www.panidis-sa.com e-mail: info@panidis-sa.com

DWG NO.		GL-50 GR Brochure	
MATERIAL:	WEIGHT:	REVISION:	DATE: 12/4/2022
UNLESS OTHERWISE SPECIFIED: DIMENSIONS ARE IN MILLIMETERS	LINEAR:	DO NOT SCALE DRAWING	
TOLERANCES:	ANGULAR:	SHEET 1 OF 1	
		SCALE: 1:1	

A3

Κατάλληλο για τα συστήματα υαλοπίνακα /  
Suitable for glass panel systems:

GF-10 / GF-10-M / GF-20



**PANIDIS**   
MAKEDONIKI • ALUMINIUM SYSTEM COMPONENTS

PANIDIS S.A.  
PRODUCTION OF ALUMINIUM RAILING SYSTEMS & ACCESSORIES  
TEL:+30 2310 780352-784 519, FAX: +30 2310 783764  
www.panidis-sa.com e-mail: info@panidis-sa.com

DWG NO.

GL-51 Technical sheet

MATERIAL:

WEIGHT:

REVISION:

DATE: 4/2/2022

DO NOT SCALE DRAWING

UNLESS OTHERWISE SPECIFIED:  
DIMENSIONS ARE IN MILLIMETERS

SHEET 1 OF 1

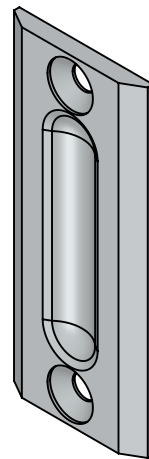
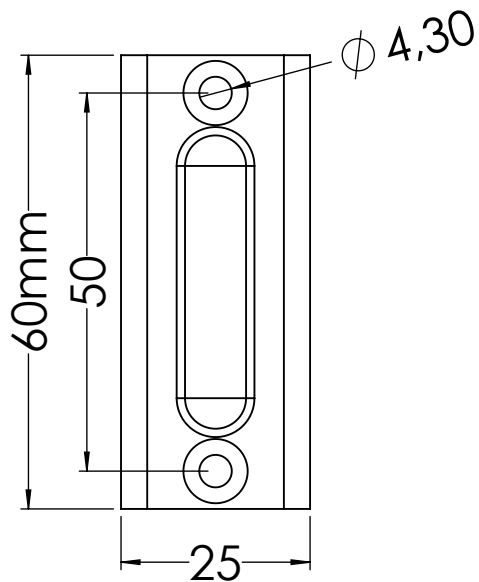
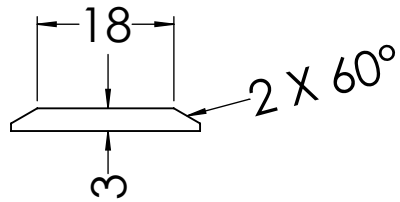
TOLERANCES:

LINEAR:  
ANGULAR:

SCALE:1:1

A4

Αντίκρισμα συμβατό με GL-50 για επιτοίχια στήριξη /  
Strike plate compatible with GL-50 for wall mount



**PANIDIS**   
MAKEDONIKI • ALUMINIUM SYSTEM COMPONENTS

**PANIDIS S.A**  
PRODUCTION OF ALUMINIUM RAILING SYSTEMS & ACCESSORIES  
TEL:+30 2310 780352-784 519, FAX: +30 2310 783764  
www.panidis-sa.com e-mail: info@panidis-sa.com

DWG NO.

## GL-52 Technical sheet

MATERIAL: ANODIZED ALUMINIUM

WEIGHT:

REVISION:

DATE:

DO NOT SCALE DRAWING

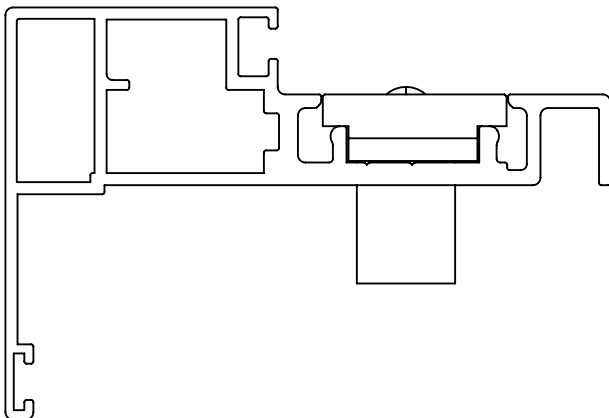
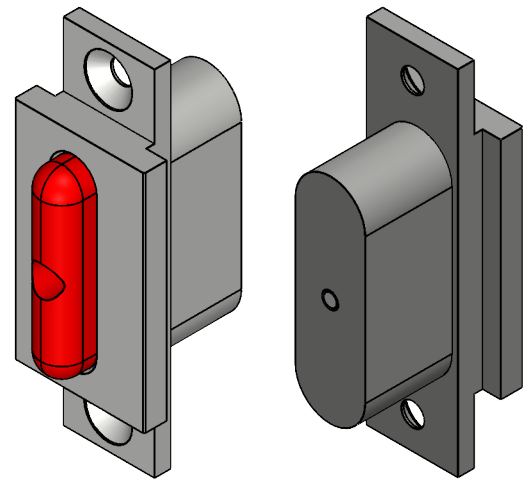
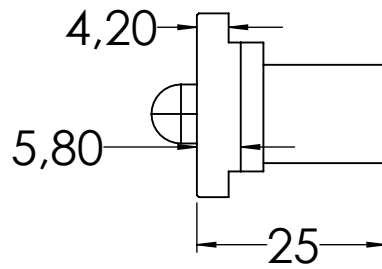
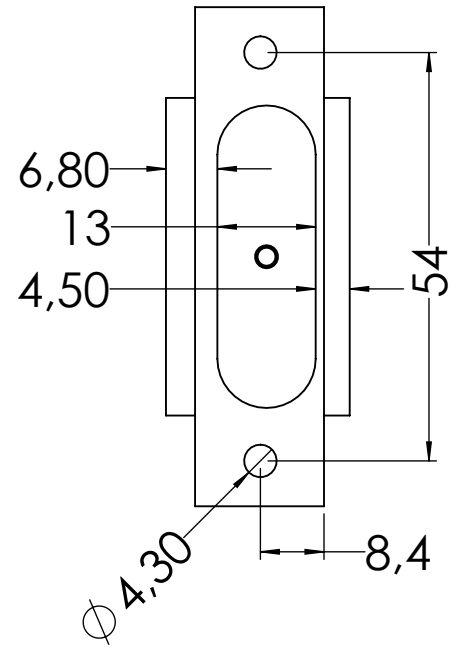
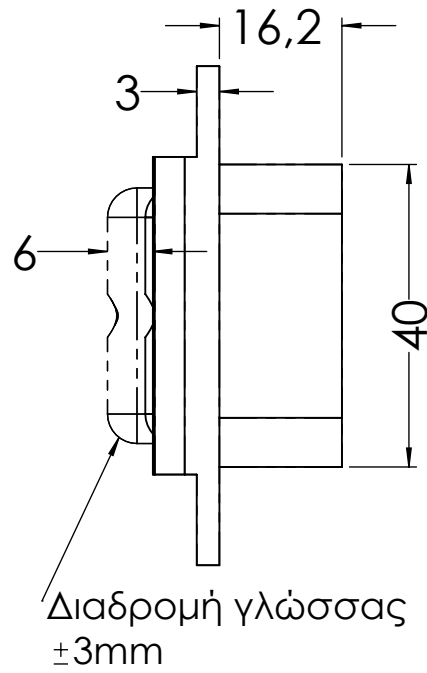
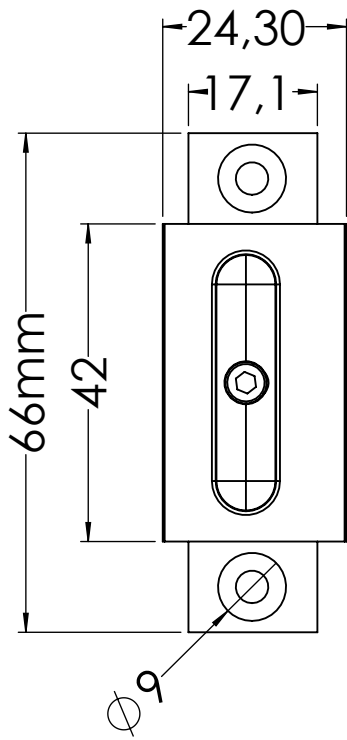
UNLESS OTHERWISE SPECIFIED:  
DIMENSIONS ARE IN MILLIMETERS

SHEET 2 OF 2

TOLERANCES: LINEAR:  
ANGULAR:

SCALE:1:1

A4



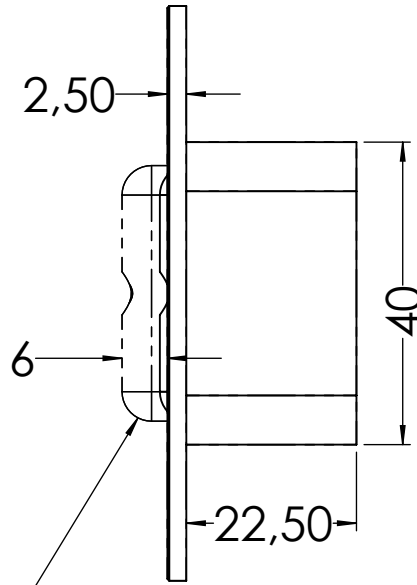
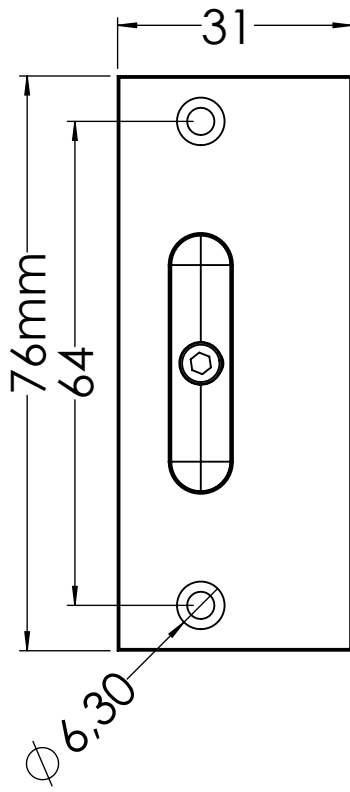
**PANIDIS**   
 MAKEDONIKI • ALUMINIUM SYSTEM COMPONENTS

PANIDIS S.A.  
 PRODUCTION OF ALUMINIUM RAILING SYSTEMS & ACCESSORIES  
 TEL:+30 2310 780352-784 519, FAX: +30 2310 783764  
 www.panidis-sa.com e-mail: info@panidis-sa.com

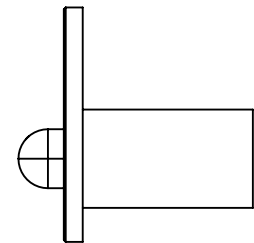
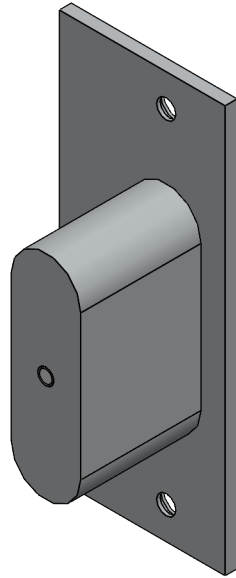
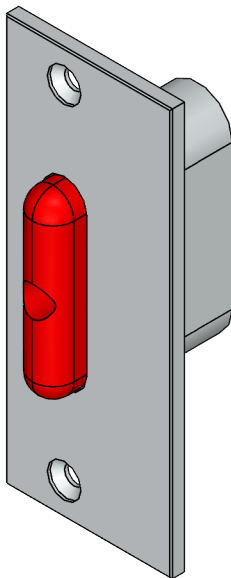
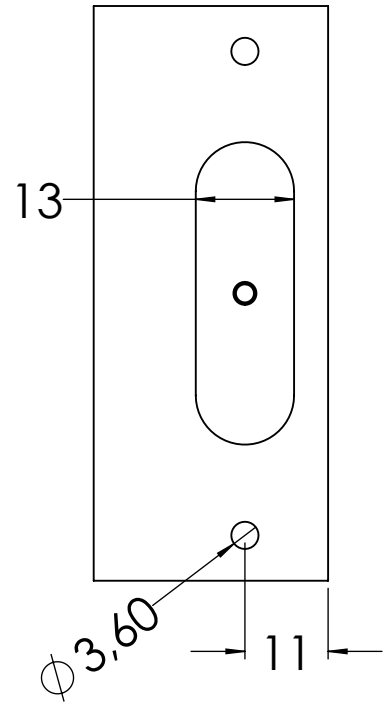
DWG NO. **GL-25 Technical sheet**

MATERIAL:	WEIGHT:
REVISION:	DATE: 22/2/2023
UNLESS OTHERWISE SPECIFIED: DIMENSIONS ARE IN MILLIMETERS	DO NOT SCALE DRAWING
TOLERANCES:	LINEAR: ANGULAR:
	SHEET 1 OF 1
	SCALE:1:1
	<b>A4</b>





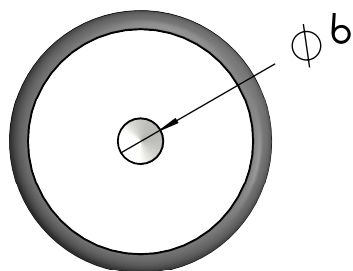
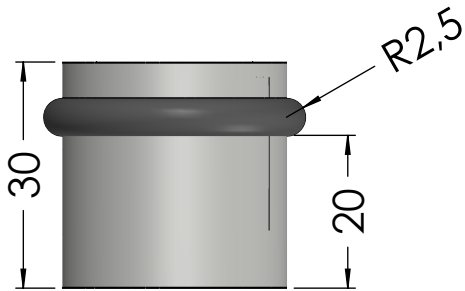
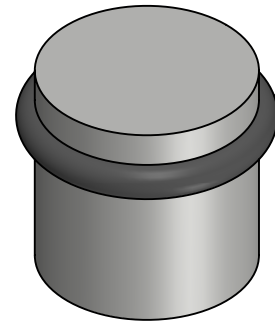
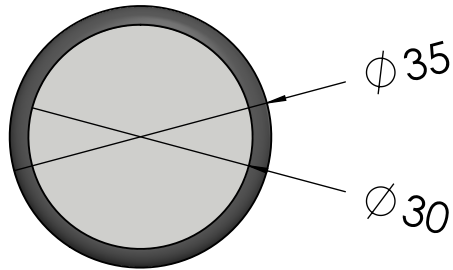
Διαδρομή γλώσσας  
± 3mm



PANIDIS S.A  
PRODUCTION OF ALUMINIUM RAILING SYSTEMS & ACCESSORIES  
TEL:+30 2310 780352-784 519, FAX: +30 2310 783764  
www.panidis-sa.com e-mail: info@panidis-sa.com

DWG NO. **GL-27 Technical sheet**

MATERIAL:	WEIGHT:
REVISION:	DATE: 6/7/2023
UNLESS OTHERWISE SPECIFIED: DIMENSIONS ARE IN MILLIMETERS	DO NOT SCALE DRAWING
TOLERANCES:	LINEAR: ANGULAR:
	SHEET 1 OF 2
	SCALE:1:1
	<b>A4</b>



**PANIDIS**   
 MAKEDONIKI • ALUMINIUM SYSTEM COMPONENTS

PANIDIS S.A  
 PRODUCTION OF ALUMINIUM RAILING SYSTEMS & ACCESSORIES  
 TEL:+30 2310 780352-784 519, FAX: +30 2310 783764  
 www.panidis-sa.com e-mail: info@panidis-sa.com

DWG NO.

**GS-10**

MATERIAL: ANODIZED ALUMINIUM

WEIGHT:

REVISION: DATE:

DO NOT SCALE DRAWING

UNLESS OTHERWISE SPECIFIED:  
 DIMENSIONS ARE IN MILLIMETERS

SHEET 1 OF 1

TOLERANCES: LINEAR:  
 ANGULAR:

SCALE:1:1

**A4**