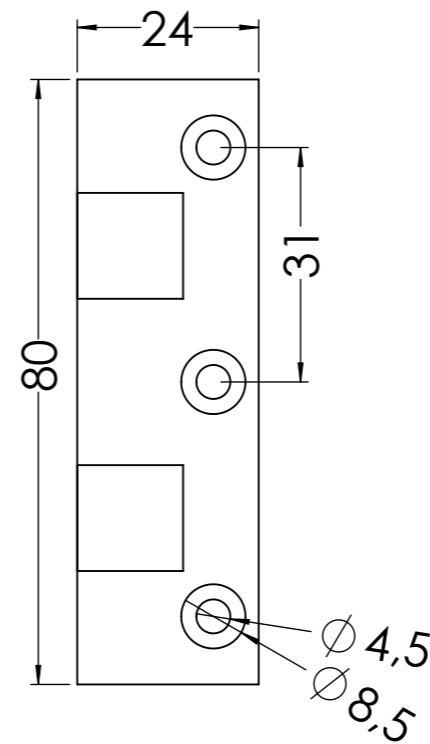
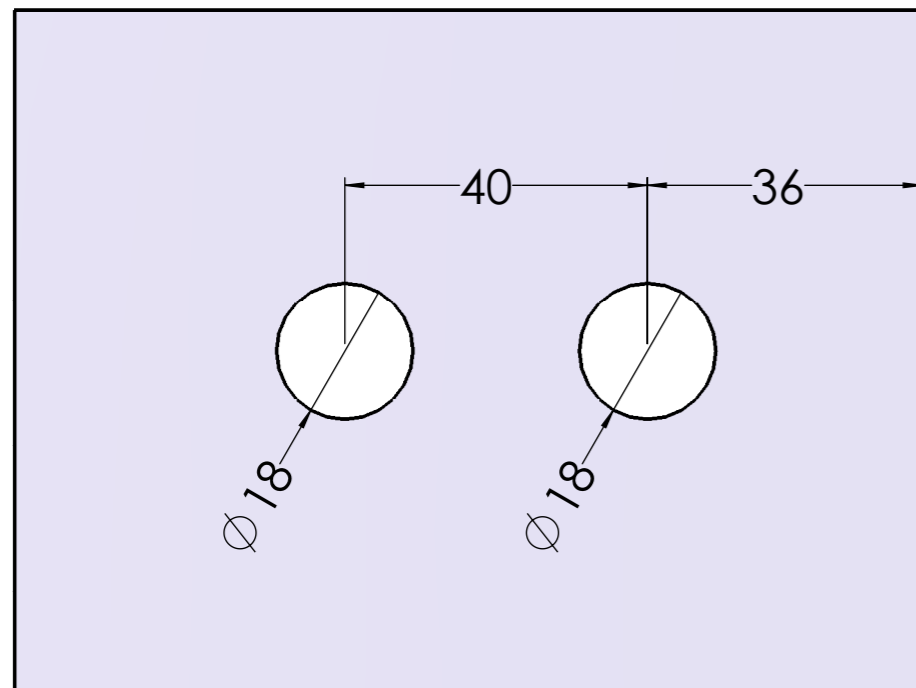
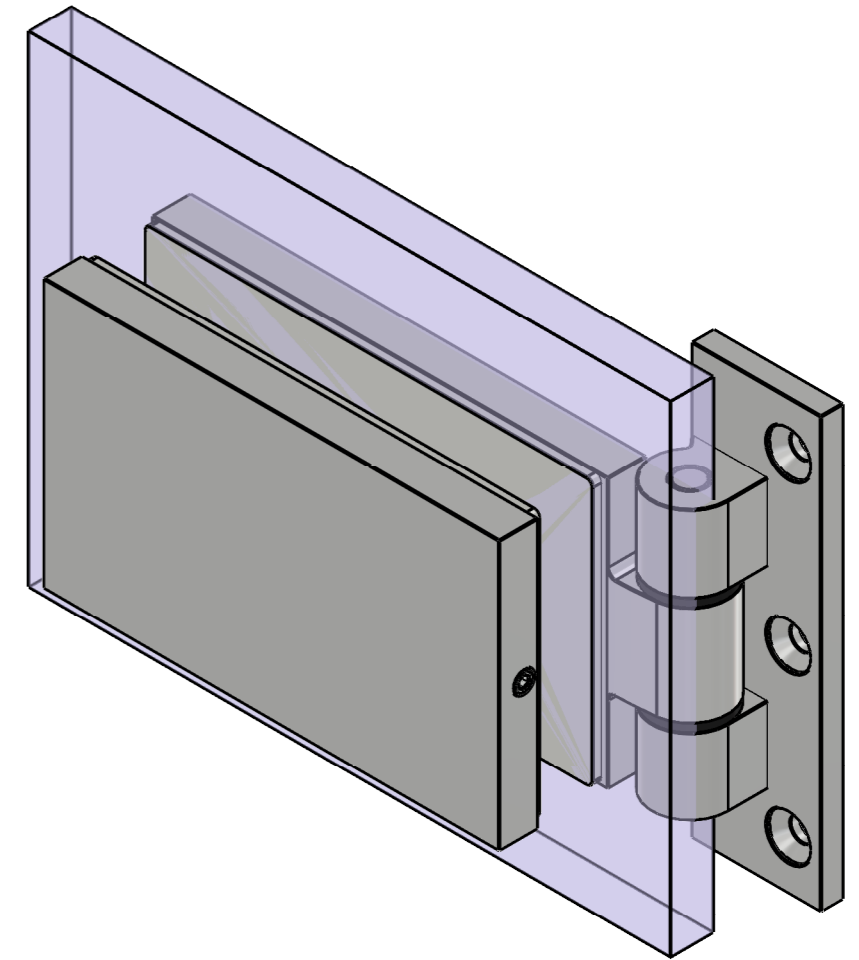
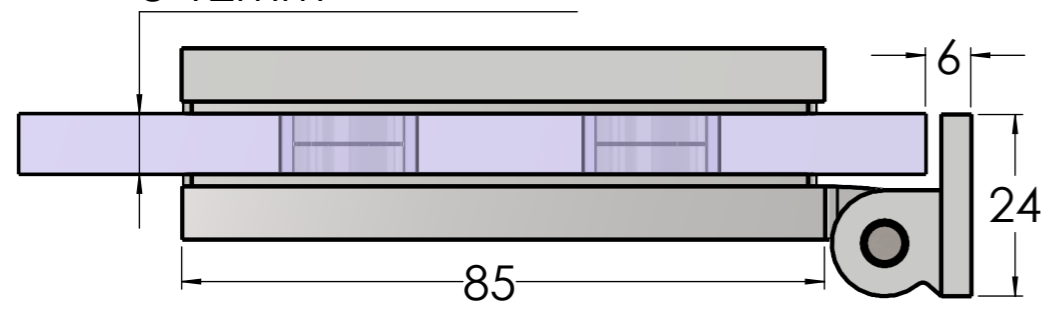


Πάχος υαλοπίνακα
8-12mm



PANIDIS 
MAKEDONIKI • ALUMINIUM SYSTEM COMPONENTS

PANIDIS S.A.
PRODUCTION OF ALUMINIUM RAILING SYSTEMS & ACCESSORIES
TEL: +30 2310 780352-784 519, FAX: +30 2310 783764
www.panidis-sa.com e-mail: info@panidis-sa.com

DWG NO.

GH-10

MATERIAL: ANODIZED ALUMINIUM

WEIGHT:

REVISION: DATE:

DO NOT SCALE DRAWING

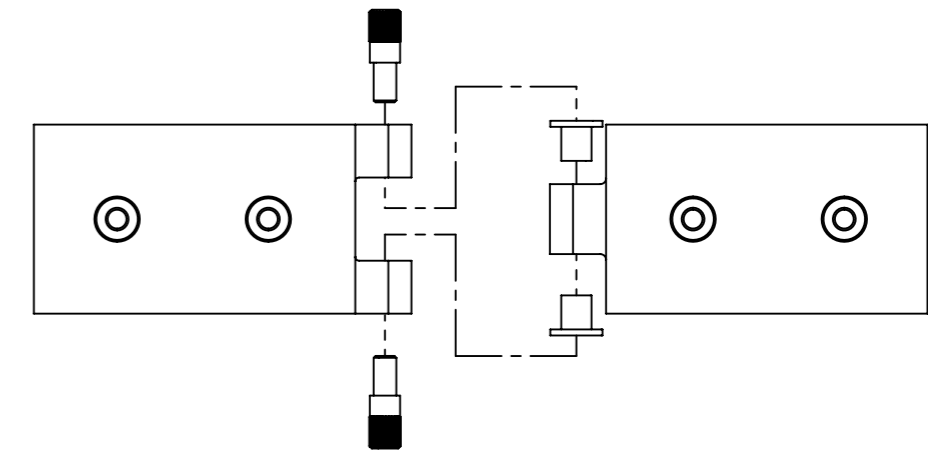
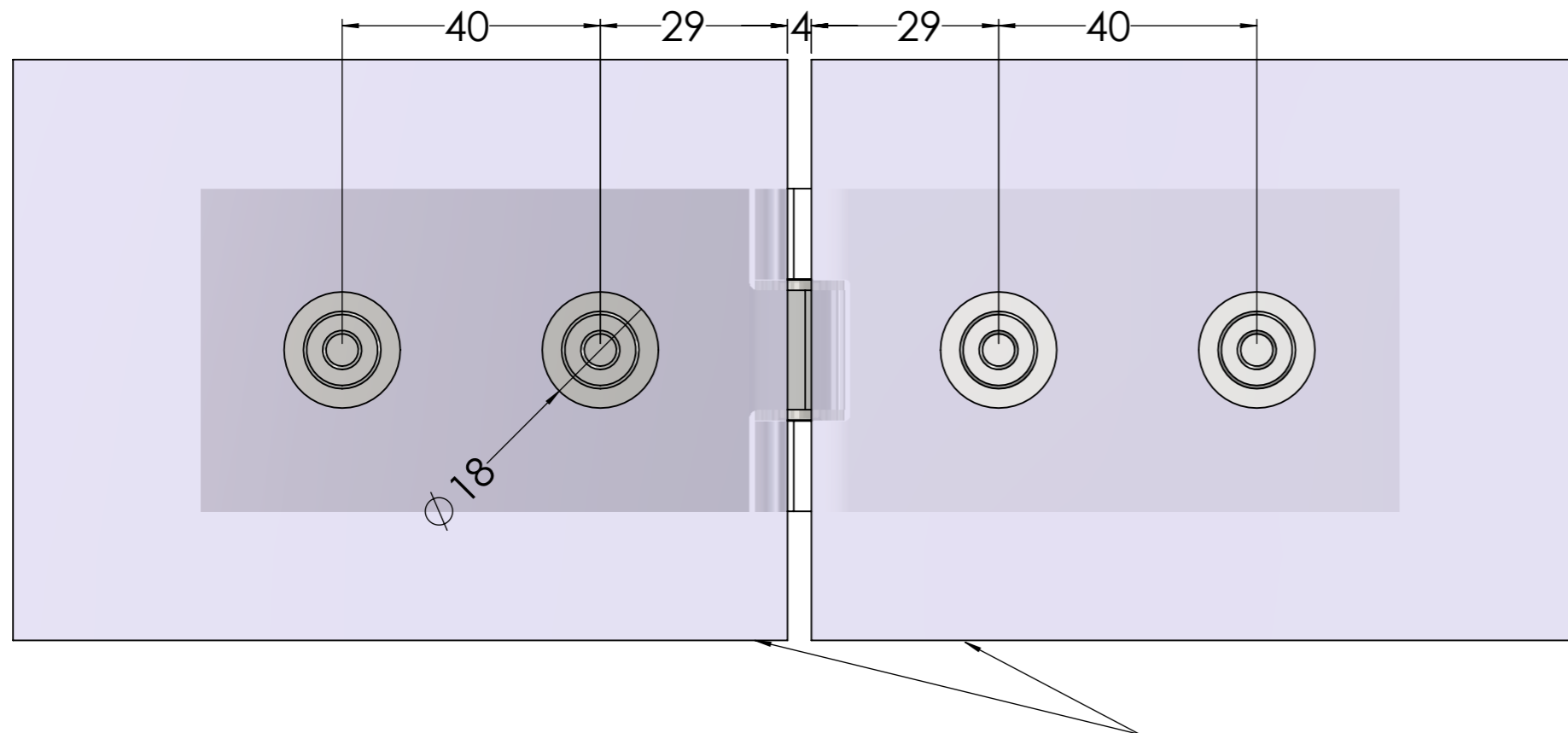
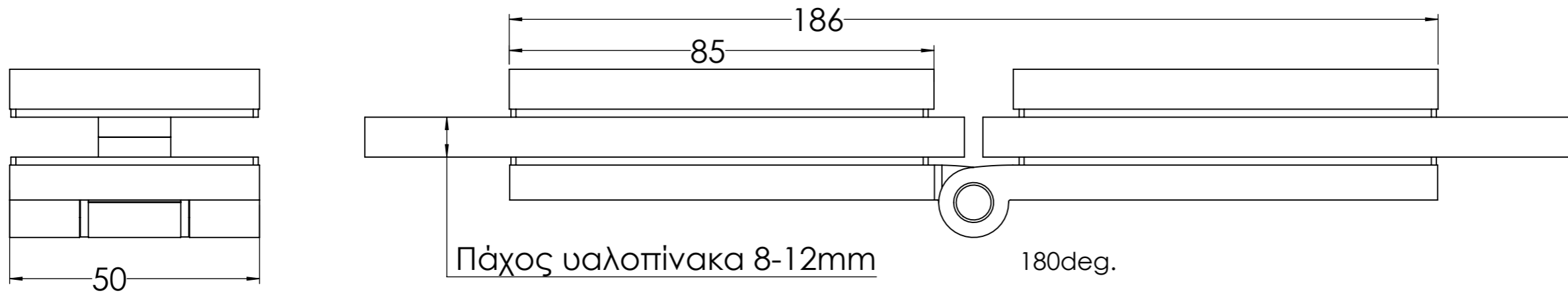
UNLESS OTHERWISE SPECIFIED:
DIMENSIONS ARE IN MILLIMETERS

SHEET 3 OF 4

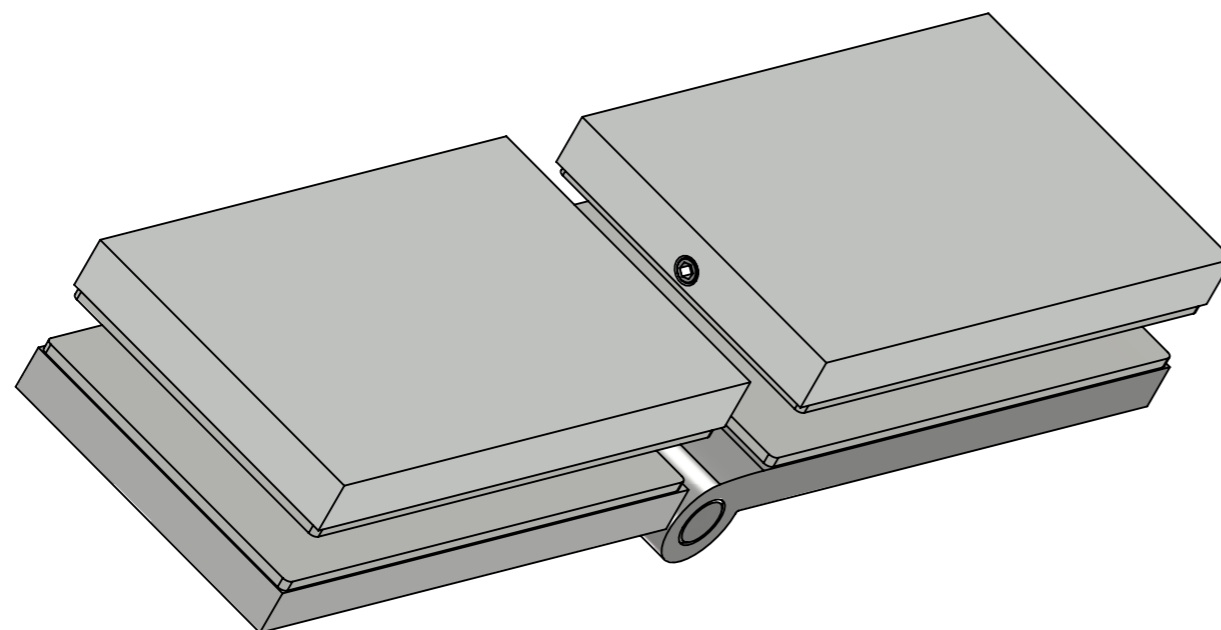
TOLERANCES: LINEAR: ANGULAR:

SCALE: 1:1

A3



SCALE 1 : 2



PANIDIS P
MAKEDONIKI • ALUMINIUM SYSTEM COMPONENTS

PANIDIS S.A
PRODUCTION OF ALUMINIUM RAILING SYSTEMS & ACCESSORIES
TEL: +30 2310 780352-784 519, FAX: +30 2310 783764
www.panidis-sa.com e-mail: info@panidis-sa.com

DWG NO.

GH-20

MATERIAL:

WEIGHT:

REVISION: DATE: 20/10/2021

DO NOT SCALE DRAWING

UNLESS OTHERWISE SPECIFIED:
DIMENSIONS ARE IN MILLIMETERS

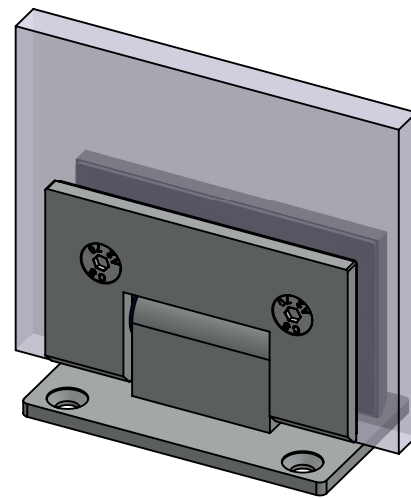
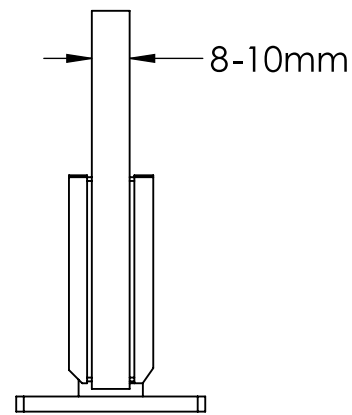
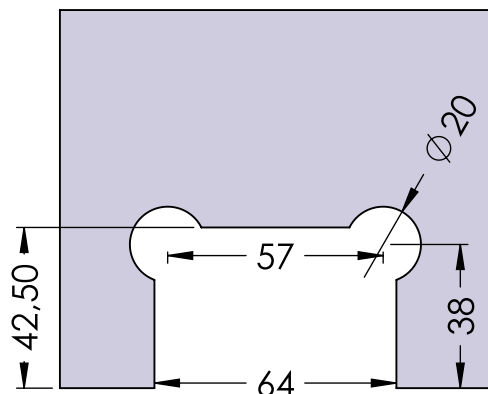
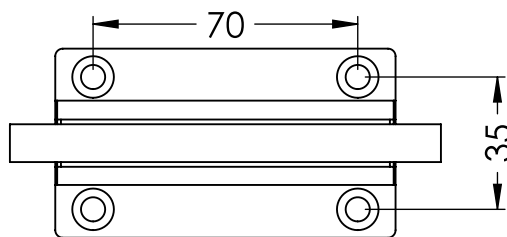
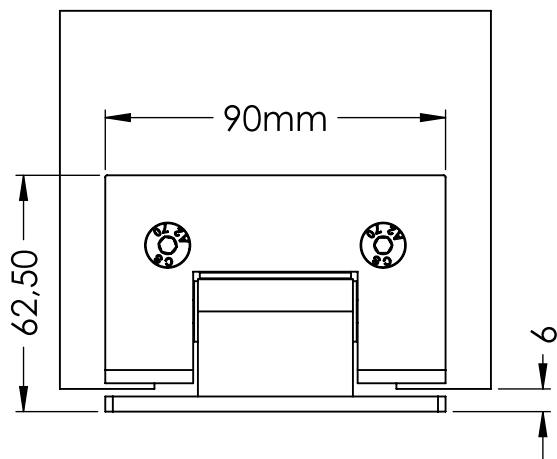
SHEET 2 OF 4

TOLERANCES: LINEAR:
ANGULAR:

SCALE: 1:1

A3

GH-30



Finish and packaging - Φινίρισμα και συσκευασία

EN Anodized in natural, inox and black or RAL palette color selection.

GR Ανοδιωμένος σε φυσική, inox satine και μαύρη ανοδίωση ή δυνατότητα χρωματικής επιλογής σε παλέτα RAL.

Carrying capacity - Ικανότητα φόρτωσης

EN With 2 hinges GH-30 45kg.
Glass thickness range from 8mm to 10mm.
Maximum width 800mm.

GR Με 2 μεντεσέδες GH-30 45kg.
Πάχος υαλοπινάκων από 8mm έως 10mm.
Μέγιστο φάρδος 800mm.

Copyright Panidis SA. All rights reserved.

PANIDIS
MAKEDONIKI • ALUMINIUM SYSTEM COMPONENTS

PANIDIS S.A.
PRODUCTION OF ALUMINIUM RAILING SYSTEMS & ACCESSORIES
TEL: +30 2310 780352-784 519, FAX: +30 2310 783764
www.panidis-sa.com e-mail: info@panidis-sa.com

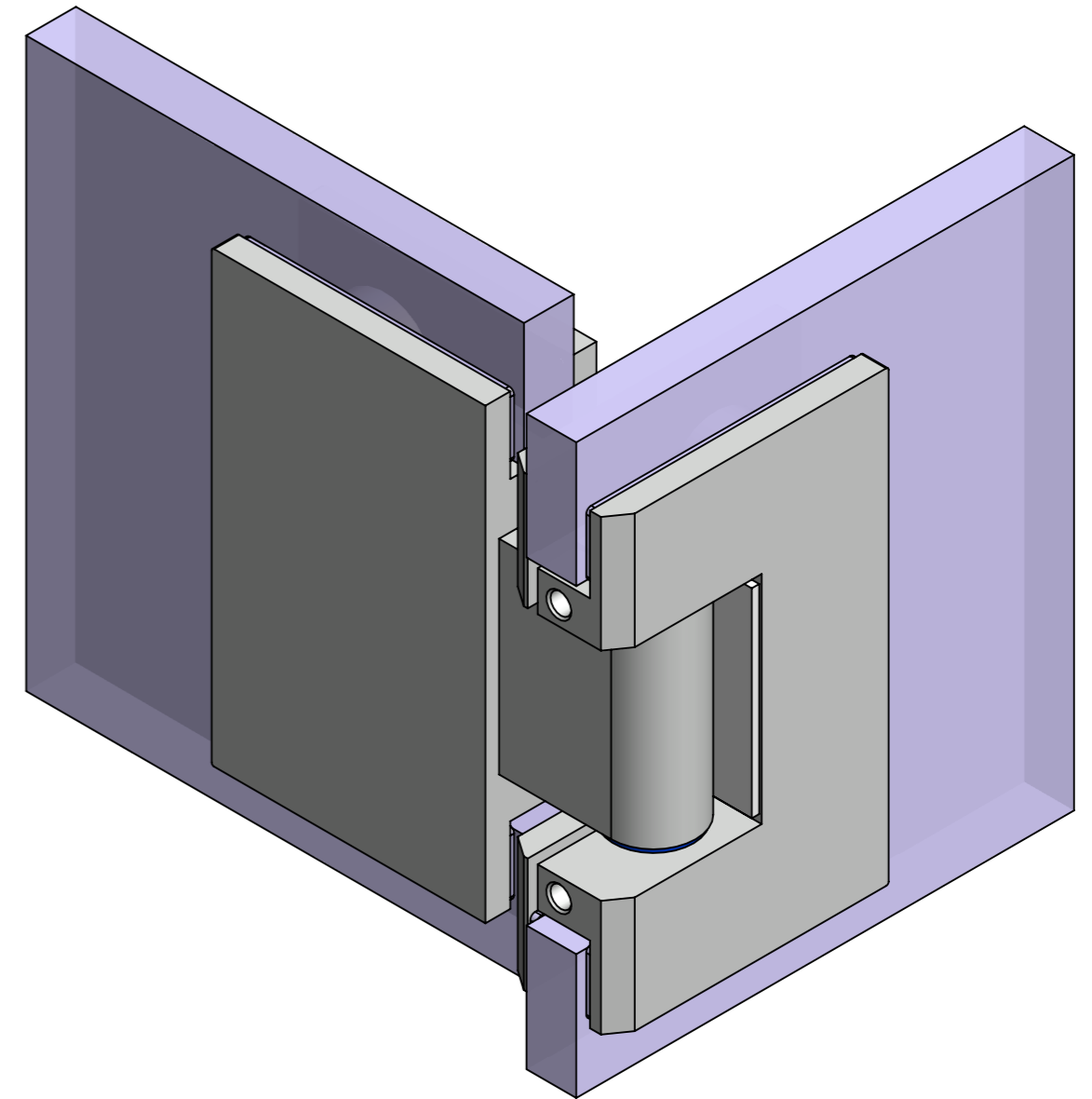
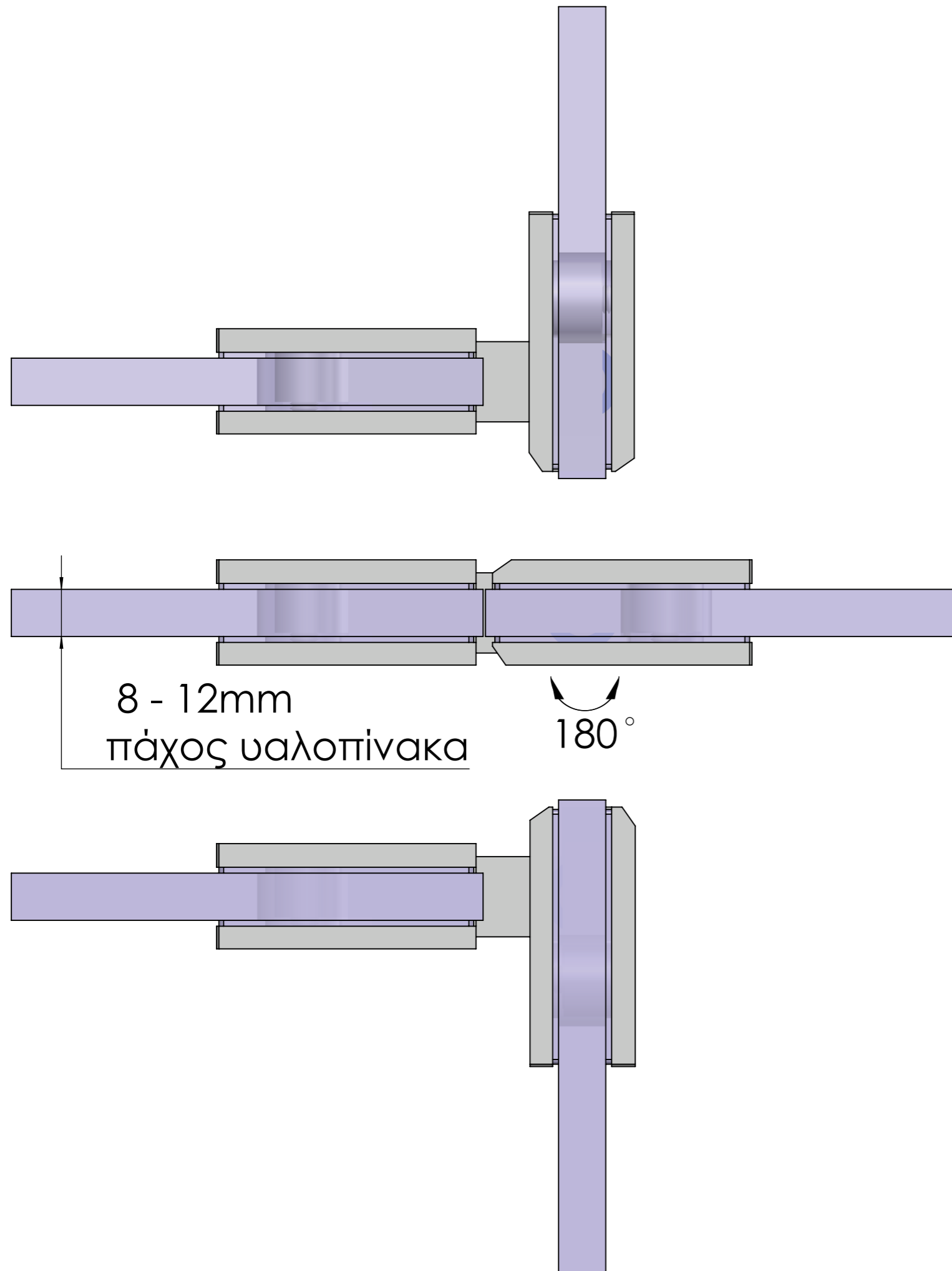
DWG NO.

GH-30

Technical specifications

MATERIAL: ANODIZED ALUMINIUM	WEIGHT:
REVISION:	DATE:
DO NOT SCALE DRAWING	
UNLESS OTHERWISE SPECIFIED: DIMENSIONS ARE IN MILLIMETERS	SHEET 1 OF 1
TOLERANCES:	LINEAR: ANGULAR:
SCALE: 1:2	

A4

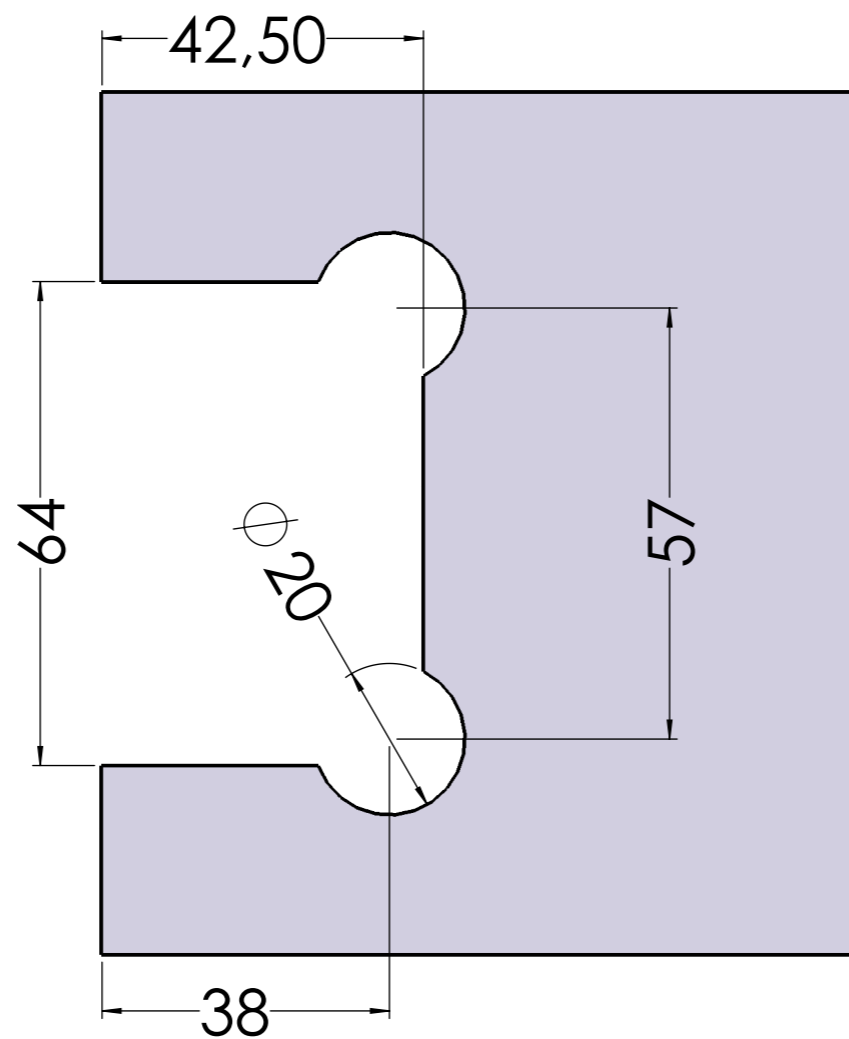
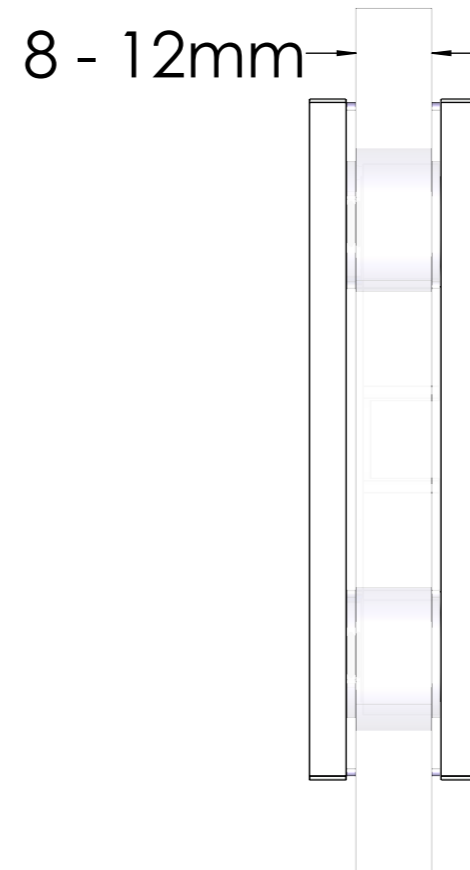
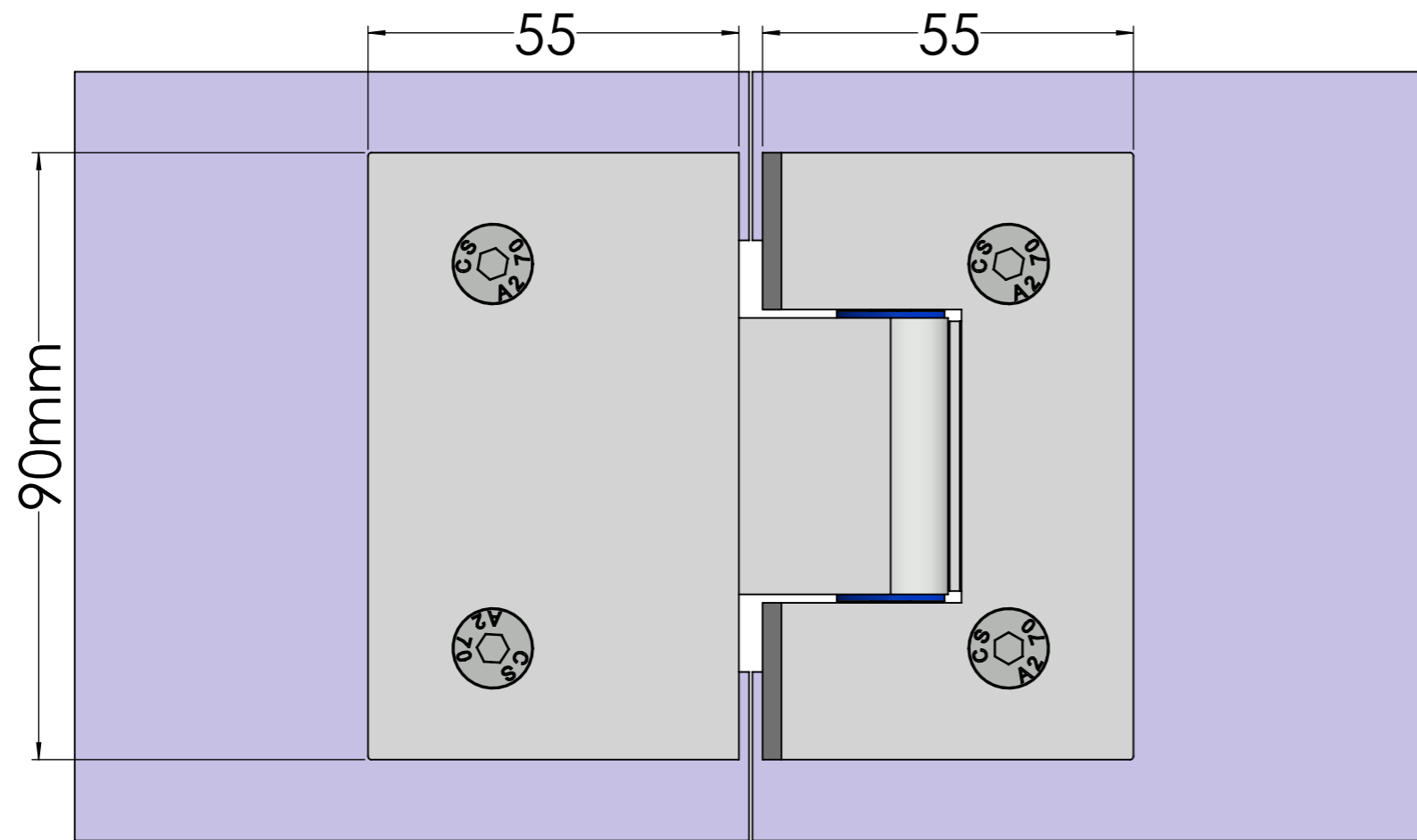


PANIDIS 
 MAKEDONIKI • ALUMINIUM SYSTEM COMPONENTS

PANIDIS S.A
 PRODUCTION OF ALUMINIUM RAILING SYSTEMS & ACCESSORIES
 TEL: +30 2310 780352-784 519, FAX: +30 2310 783764
 www.panidis-sa.com e-mail: info@panidis-sa.com

DWG NO. **GH-40 Technical sheet**

MATERIAL:	DATE: 14/9/2022	WEIGHT:	DO NOT SCALE DRAWING
REVISION:			
UNLESS OTHERWISE SPECIFIED: DIMENSIONS ARE IN MILLIMETERS		SHEET 1 OF 2	A3
TOLERANCES:	LINEAR: ANGULAR:	SCALE: 1:1	



PANIDIS 
 MAKEDONIKI • ALUMINIUM SYSTEM COMPONENTS

PANIDIS S.A
 PRODUCTION OF ALUMINIUM RAILING SYSTEMS & ACCESSORIES
 TEL: +30 2310 780352-784 519, FAX: +30 2310 783764
 www.panidis-sa.com e-mail: info@panidis-sa.com

DWG NO. **GH-40 Technical sheet**

MATERIAL:	WEIGHT:
REVISION:	DATE: 14/9/2022
UNLESS OTHERWISE SPECIFIED: DIMENSIONS ARE IN MILLIMETERS	DO NOT SCALE DRAWING
TOLERANCES:	LINEAR: SHEET 2 OF 2
ANGULAR:	SCALE: 1:1

A3