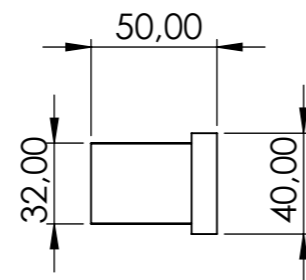
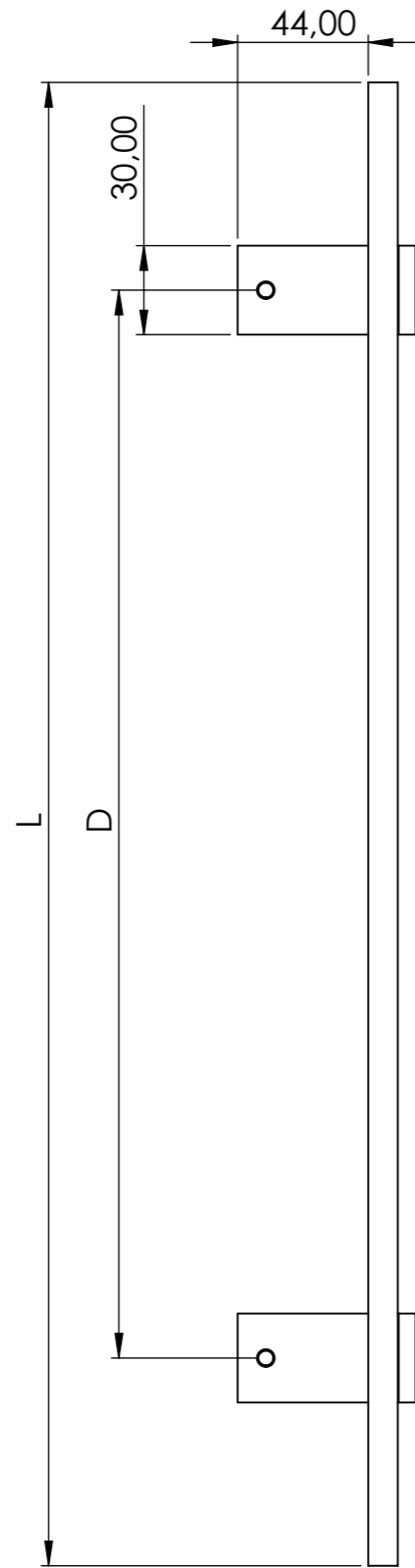
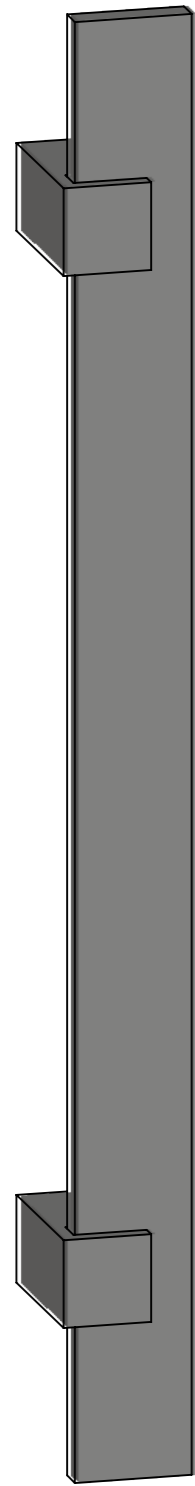


ΔΙΑΘΕΣΙΜΕΣ ΔΙΑΣΤΑΣΕΙΣ	
L500	D360
L800	D600

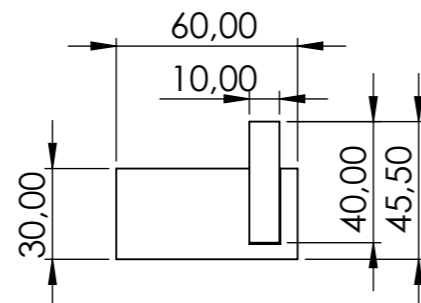



PANIDIS S.A.
 PRODUCTION OF ALUMINUM RAILING SYSTEMS & ACCESSORIES
 TEL: +30 2310 780352-784 519, FAX: +30 2310 783764
 www.panidis-sa.com e-mail: info@panidis-sa.com

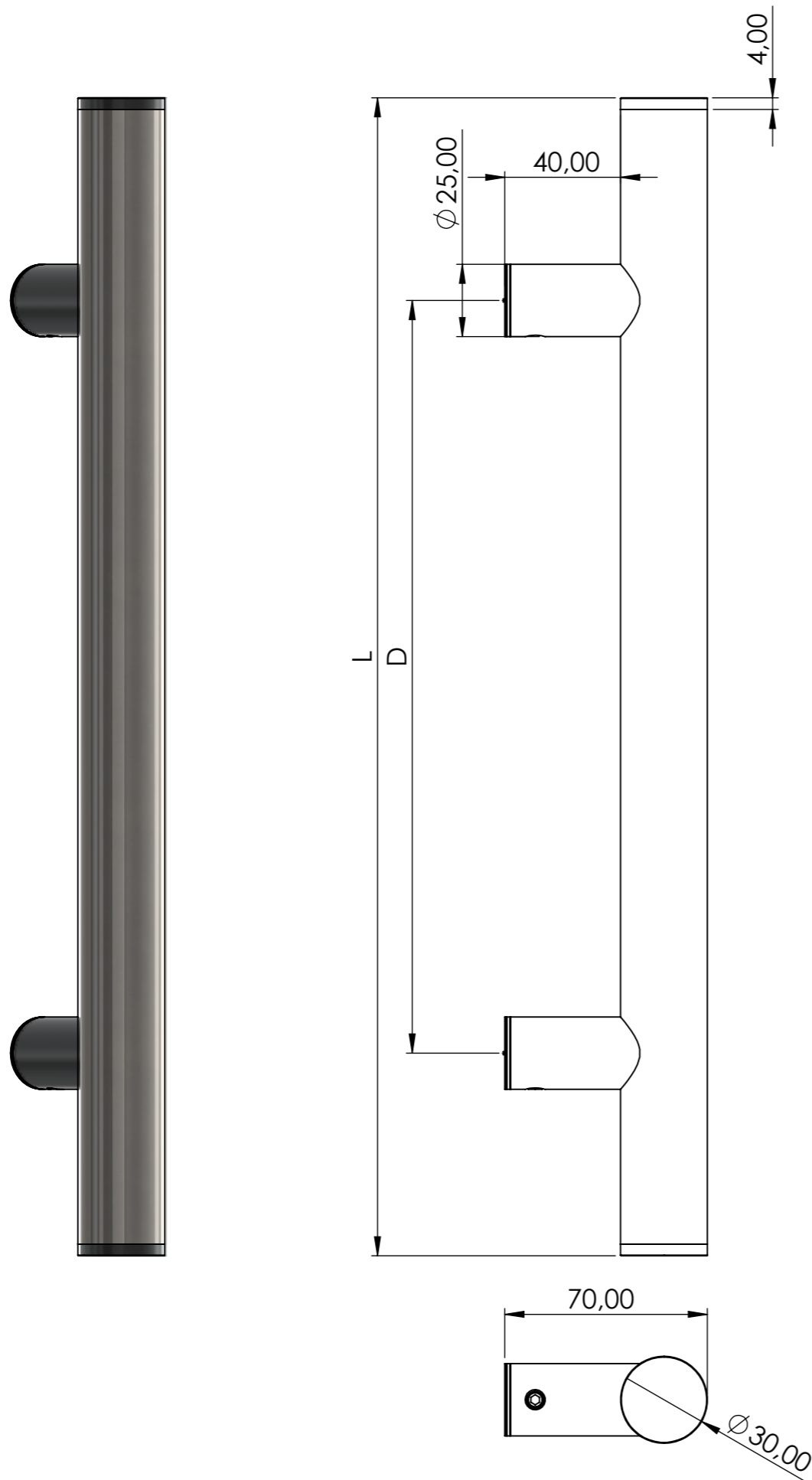
DWG NO.		ALU-800	
MATERIAL:	WEIGHT:		
REVISION:	DO NOT SCALE DRAWING		
UNLESS OTHERWISE SPECIFIED: DIMENSIONS ARE IN MILLIMETERS		SHEET 1 OF 1	
TOLERANCES:	LINEAR: ANGULAR:		



ΔΙΑΘΕΣΙΜΕΣ ΔΙΑΣΤΑΣΕΙΣ	
L500	D360
L800	D600



 <p>PANIDIS S.A PRODUCTION OF ALUMINUM RAILING SYSTEMS & ACCESSORIES TEL: +30 2310 780352-784 519, FAX: +30 2310 783764 www.panidis-sa.com e-mail: info@panidis-sa.com</p>	
DWG NO. ALU-810	
MATERIAL:	WEIGHT:
REVISION:	DO NOT SCALE DRAWING
UNLESS OTHERWISE SPECIFIED: DIMENSIONS ARE IN MILLIMETERS	
TOLERANCES:	LINEAR: ANGULAR:
SHEET 1 OF 1	



ΔΙΑΘΕΣΙΜΕΣ ΔΙΑΣΤΑΣΕΙΣ INOX		ΔΙΑΘΕΣΙΜΕΣ ΔΙΑΣΤΑΣΕΙΣ ALU	
L400	D260	L400	D260
L500	D360	L500	D360
L600	D400	L600	D400
L800	D600	L800	D600
L1000	D800	L1000	D800
L1200	D1000	L1200	D1000
L1600	D1400	L1600	D1400
L200	D1800		

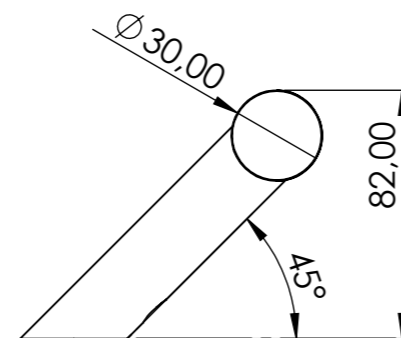
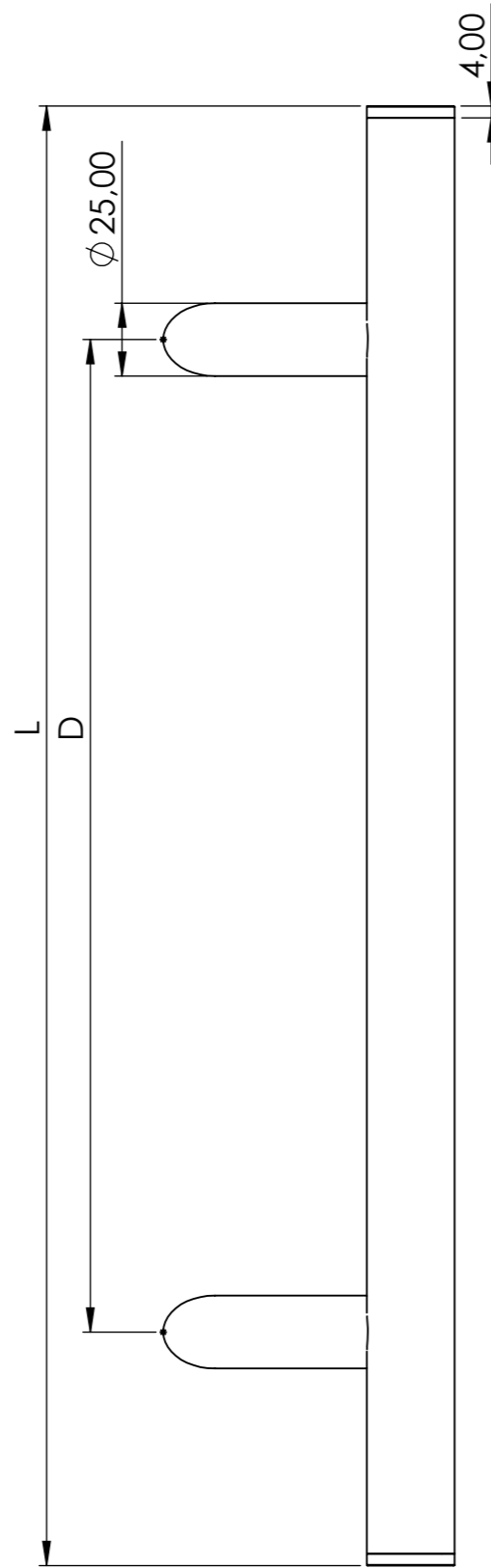
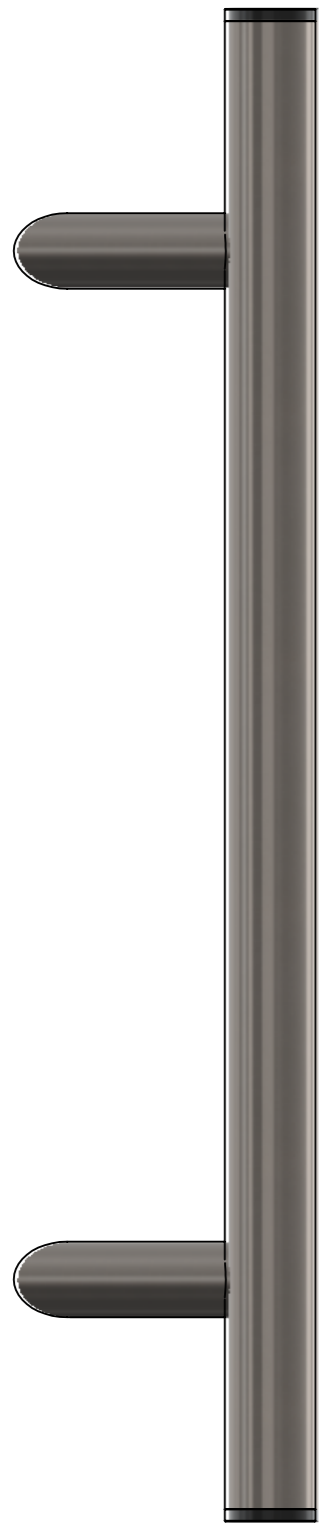
PANIDIS

ΠΑΝΙΔΙΣ Σ.Α. - ΑΛΥΜΙΝΙΟΥ ΣΥΣΤΗΜΑ ΓΚΡΑΦΙΚΗΣ

PANIDIS S.A.
 PRODUCTION OF ALUMINUM RAILING SYSTEMS & ACCESSORIES
 TEL: +30 2310 780352-784 519, FAX: +30 2310 783764
 www.panidis-sa.com e-mail: info@panidis-sa.com

DWG NO. **INOX-100 & ALU-100**

MATERIAL:	WEIGHT:
REVISION:	DO NOT SCALE DRAWING
UNLESS OTHERWISE SPECIFIED: DIMENSIONS ARE IN MILLIMETERS	
TOLERANCES:	SHEET 1 OF 1
LINEAR: ANGULAR:	



ΔΙΑΘΕΣΙΜΕΣ ΔΙΑΣΤΑΣΕΙΣ	
L500	D360
L600	D400
L800	D600
L1000	D800
L1200	D1000
L1600	D1400
L2000	D1800

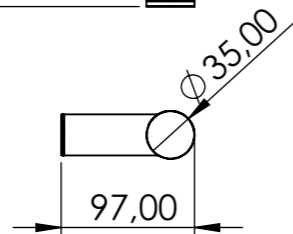
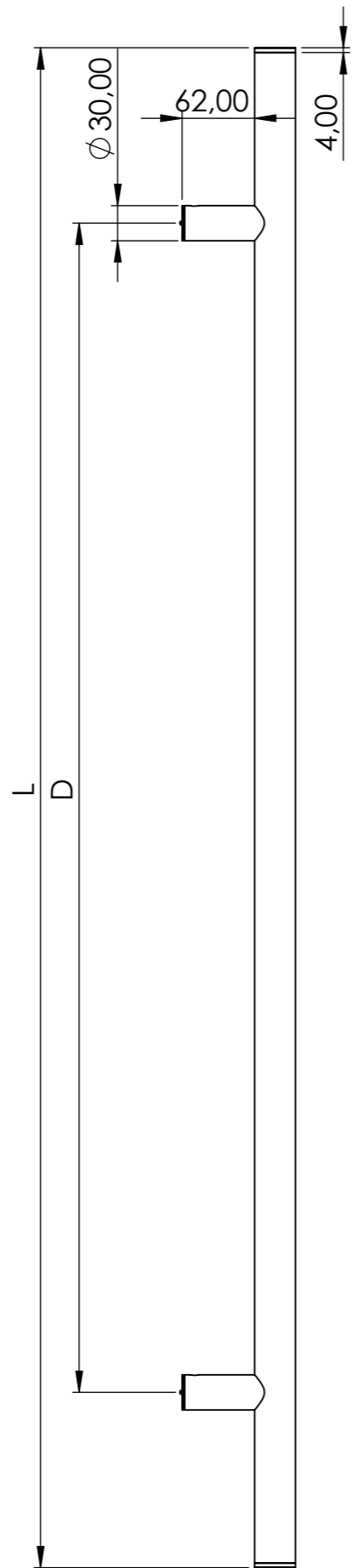
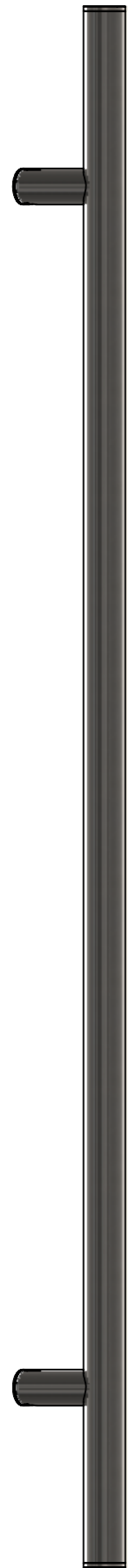


PANIDIS S.A
 PRODUCTION OF ALUMINUM RAILING SYSTEMS & ACCESSORIES
 TEL:+30 2310 780352-784 519, FAX: +30 2310 783764
 www.panidis-sa.com e-mail: info@panidis-sa.com

DWG NO.

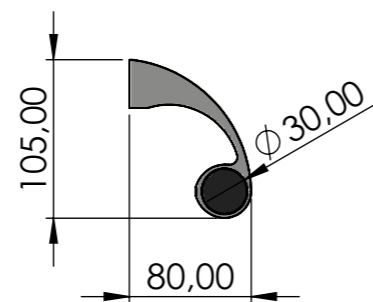
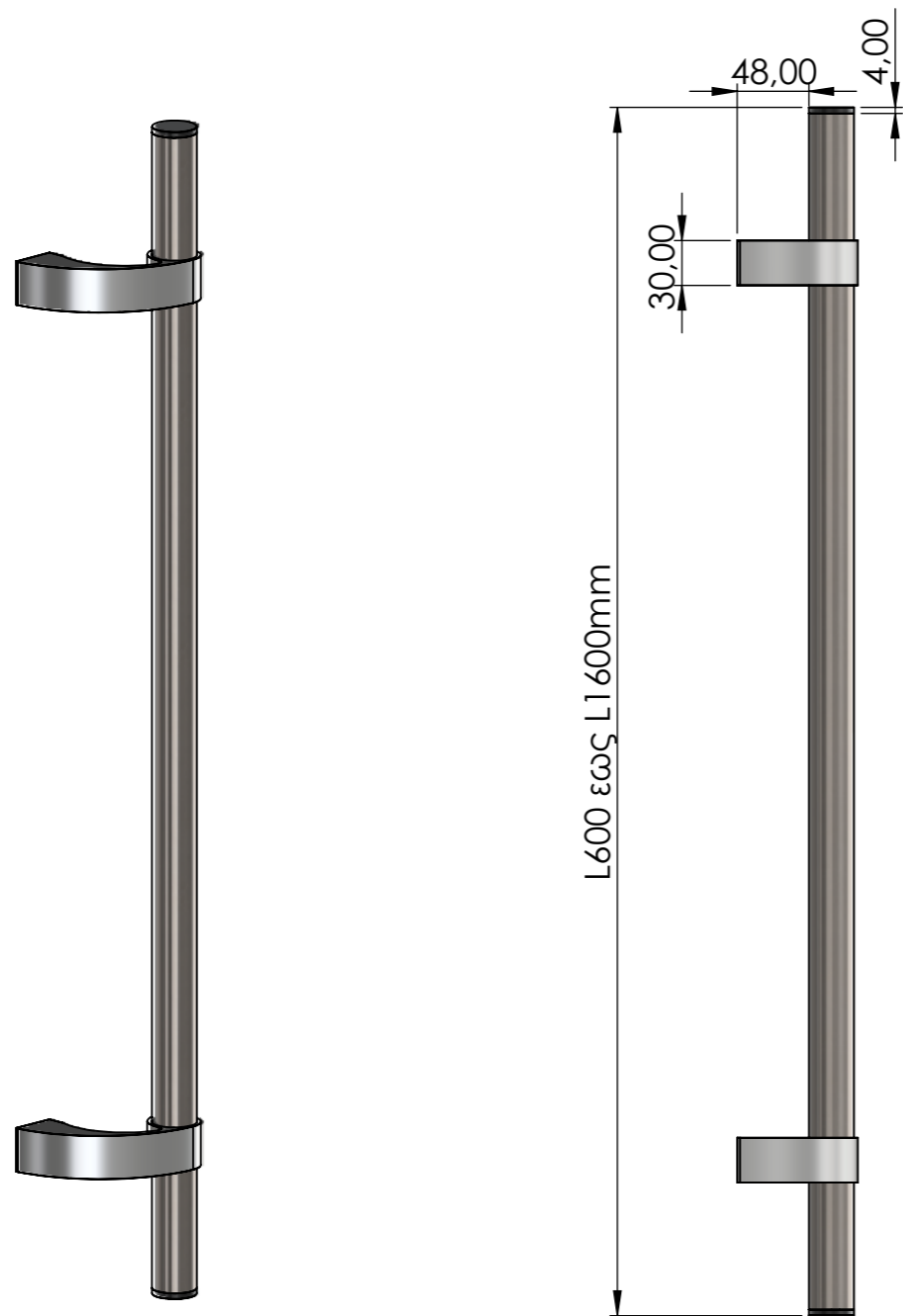
INOX-145

MATERIAL:	WEIGHT:
REVISION:	DO NOT SCALE DRAWING
UNLESS OTHERWISE SPECIFIED: DIMENSIONS ARE IN MILLIMETERS	SHEET 1 OF 1
TOLERANCES: LINEAR: ANGULAR:	

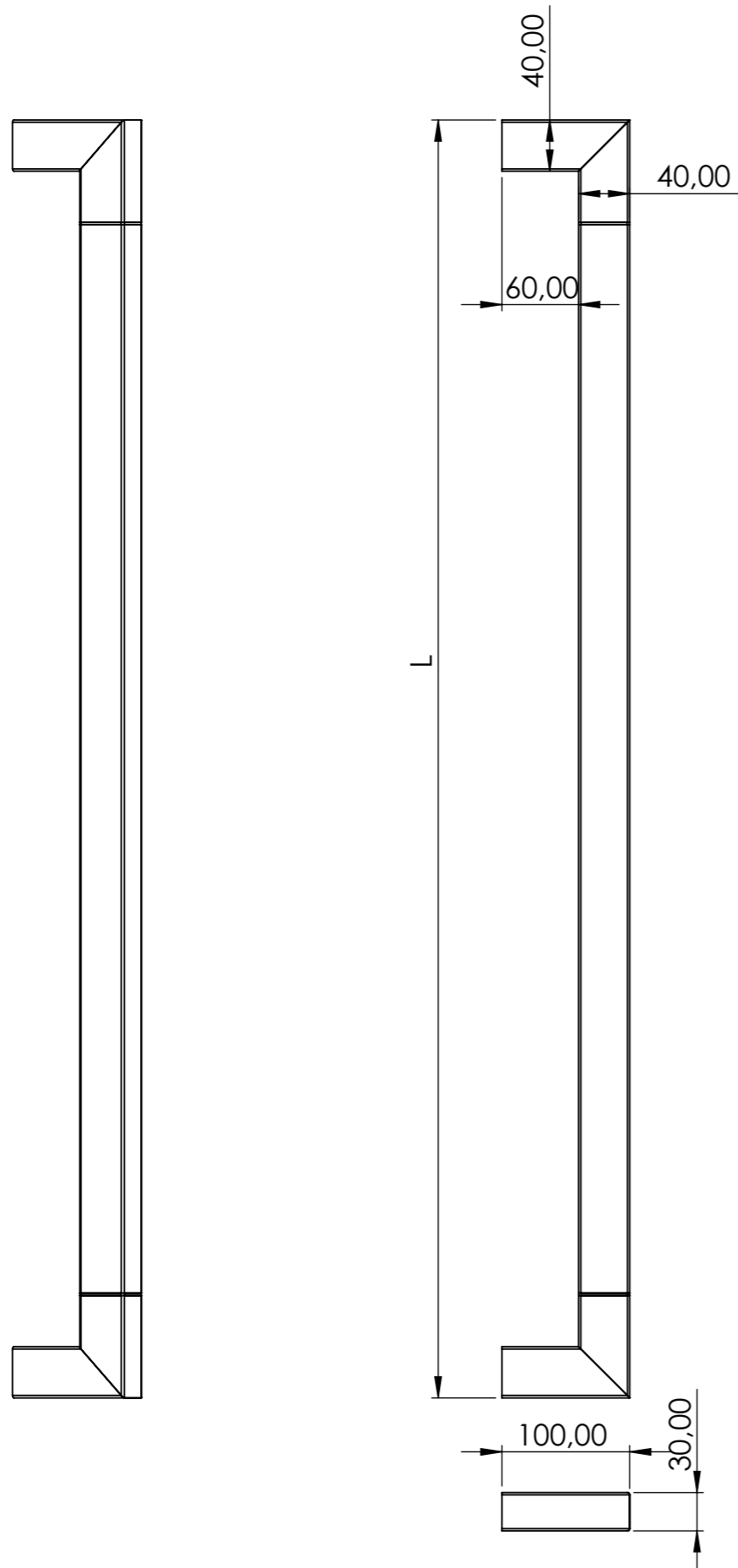


ΔΙΑΘΕΣΙΜΕΣ ΔΙΑΣΤΑΣΕΙΣ	
L1200	D1000
L1600	D1400
L2000	D1800

PANIDIS S.A. PRODUCTION OF ALUMINUM RAILING SYSTEMS & ACCESSORIES TEL: +30 2310 780352-784 519, FAX: +30 2310 783764 www.panidis-sa.com e-mail: info@panidis-sa.com	
DWG NO.	
INOX-350	
MATERIAL:	WEIGHT:
REVISION:	DO NOT SCALE DRAWING
UNLESS OTHERWISE SPECIFIED: DIMENSIONS ARE IN MILLIMETERS	
TOLERANCES:	SHEET 1 OF 1
LINEAR:	
ANGULAR:	

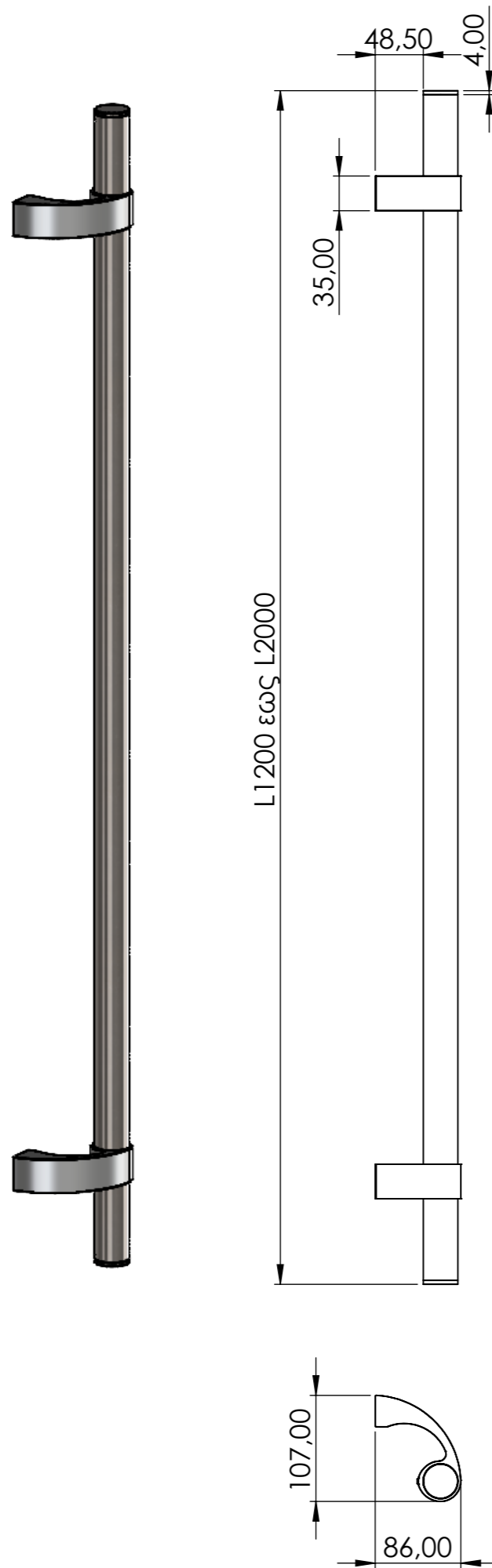


PANIDIS S.A. PRODUCTION OF ALUMINUM RAILING SYSTEMS & ACCESSORIES TEL: +30 2310 780352-784 519, FAX: +30 2310 783764 www.panidis-sa.com e-mail: info@panidis-sa.com	
DWG NO.	
INOX-400	
MATERIAL:	WEIGHT:
REVISION:	DO NOT SCALE DRAWING
UNLESS OTHERWISE SPECIFIED: DIMENSIONS ARE IN MILLIMETERS	
TOLERANCES:	SHEET 1 OF 1
LINEAR:	
ANGULAR:	

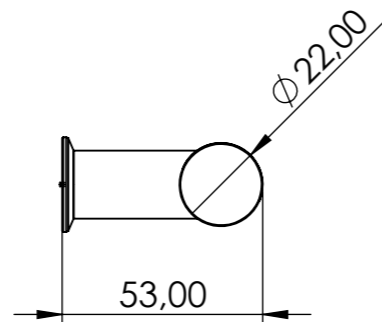
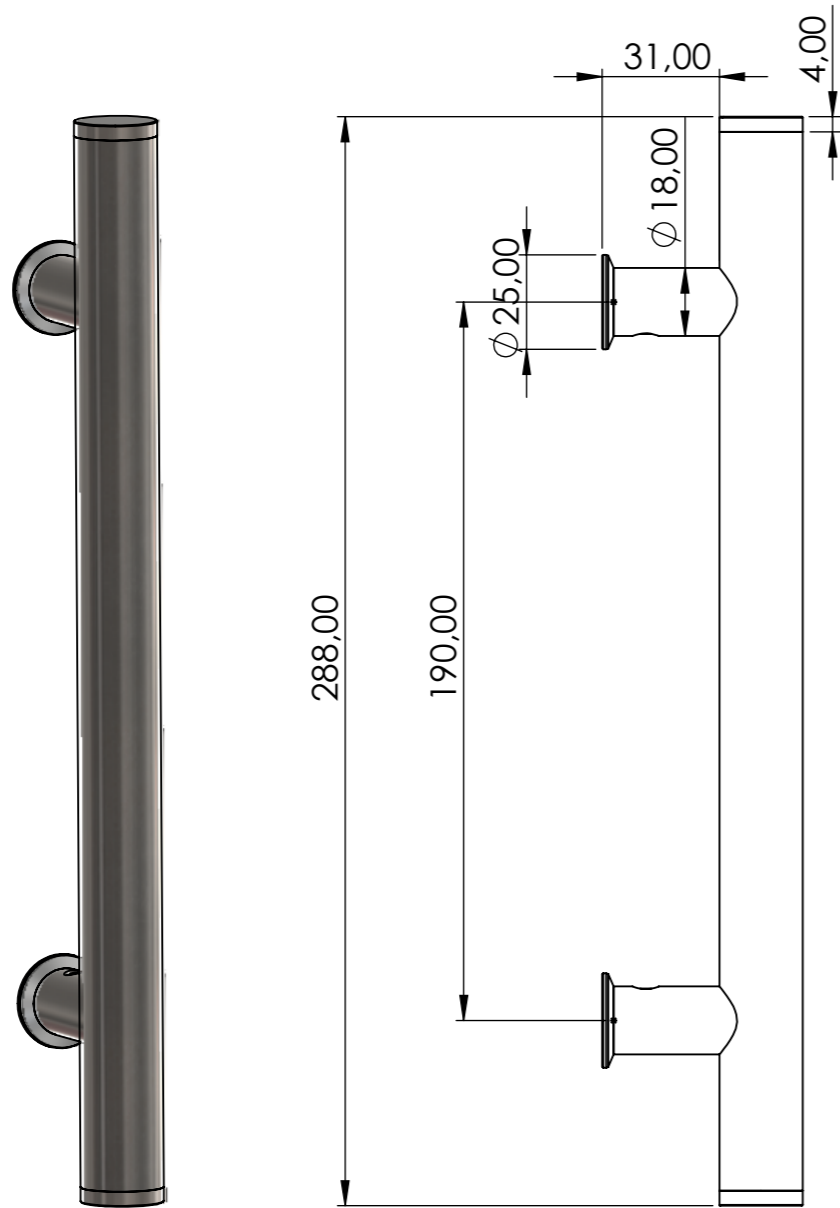


ΔΙΑΘΕΣΙΜΕΣ ΔΙΑΣΤΑΣΕΙΣ
L1000
L1200
L1600
L2000

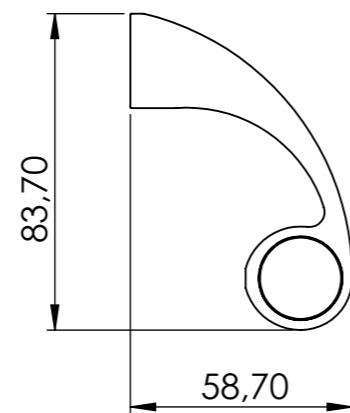
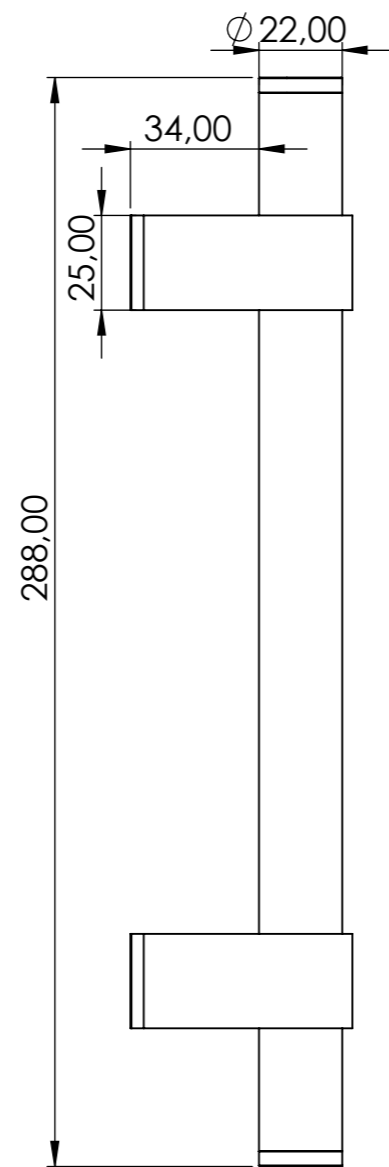
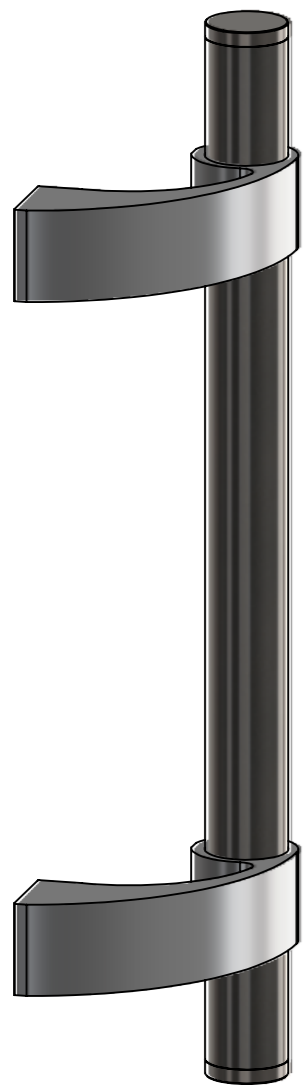
<small>PANIDIS S.A. PRODUCTION OF ALUMINUM RAILING SYSTEMS & ACCESSORIES TEL: +30 2310 780352-784 519, FAX: +30 2310 783764 www.panidis-sa.com e-mail: info@panidis-sa.com</small>	
DWG NO.	
INOX-430	
MATERIAL:	WEIGHT:
REVISION:	DO NOT SCALE DRAWING
UNLESS OTHERWISE SPECIFIED: DIMENSIONS ARE IN MILLIMETERS	
TOLERANCES:	LINEAR: ANGULAR:
SHEET 1 OF 1 SCALE: 1:5	




PANIDIS S.A. PRODUCTION OF ALUMINUM RAILING SYSTEMS & ACCESSORIES TEL: +30 2310 780352-784 519, FAX: +30 2310 783764 www.panidis-sa.com e-mail: info@panidis-sa.com	
DWG NO.	
<h2>Inox-500</h2>	
MATERIAL:	WEIGHT:
REVISION:	DATE: 16/11/2023
DO NOT SCALE DRAWING	
UNLESS OTHERWISE SPECIFIED: DIMENSIONS ARE IN MILLIMETERS	
TOLERANCES:	LINEAR: ANGULAR:
SHEET 1 OF 1	
SCALE: 1:5	



PANIDIS S.A. PRODUCTION OF ALUMINUM RAILING SYSTEMS & ACCESSORIES TEL: +30 2310 780352-784 519, FAX: +30 2310 783764 www.panidis-sa.com e-mail: info@panidis-sa.com	
DWG NO.	
INOX-600	
MATERIAL:	WEIGHT:
REVISION:	DO NOT SCALE DRAWING
UNLESS OTHERWISE SPECIFIED: DIMENSIONS ARE IN MILLIMETERS	
TOLERANCES:	LINEAR: ANGULAR:
	SHEET 1 OF 1 SCALE: 1:2



	
PANIDIS S.A PRODUCTION OF ALUMINUM RAILING SYSTEMS & ACCESSORIES TEL: +30 2310 780352-784 519, FAX: +30 2310 783764 www.panidis-sa.com e-mail: info@panidis-sa.com	
DWG NO. INOX-700	
MATERIAL:	WEIGHT:
DATE: 20/11/2023	DO NOT SCALE DRAWING
UNLESS OTHERWISE SPECIFIED: DIMENSIONS ARE IN MILLIMETERS	
TOLERANCES:	LINEAR: ANGULAR:
	SHEET 1 OF 1 SCALE: 1:2