
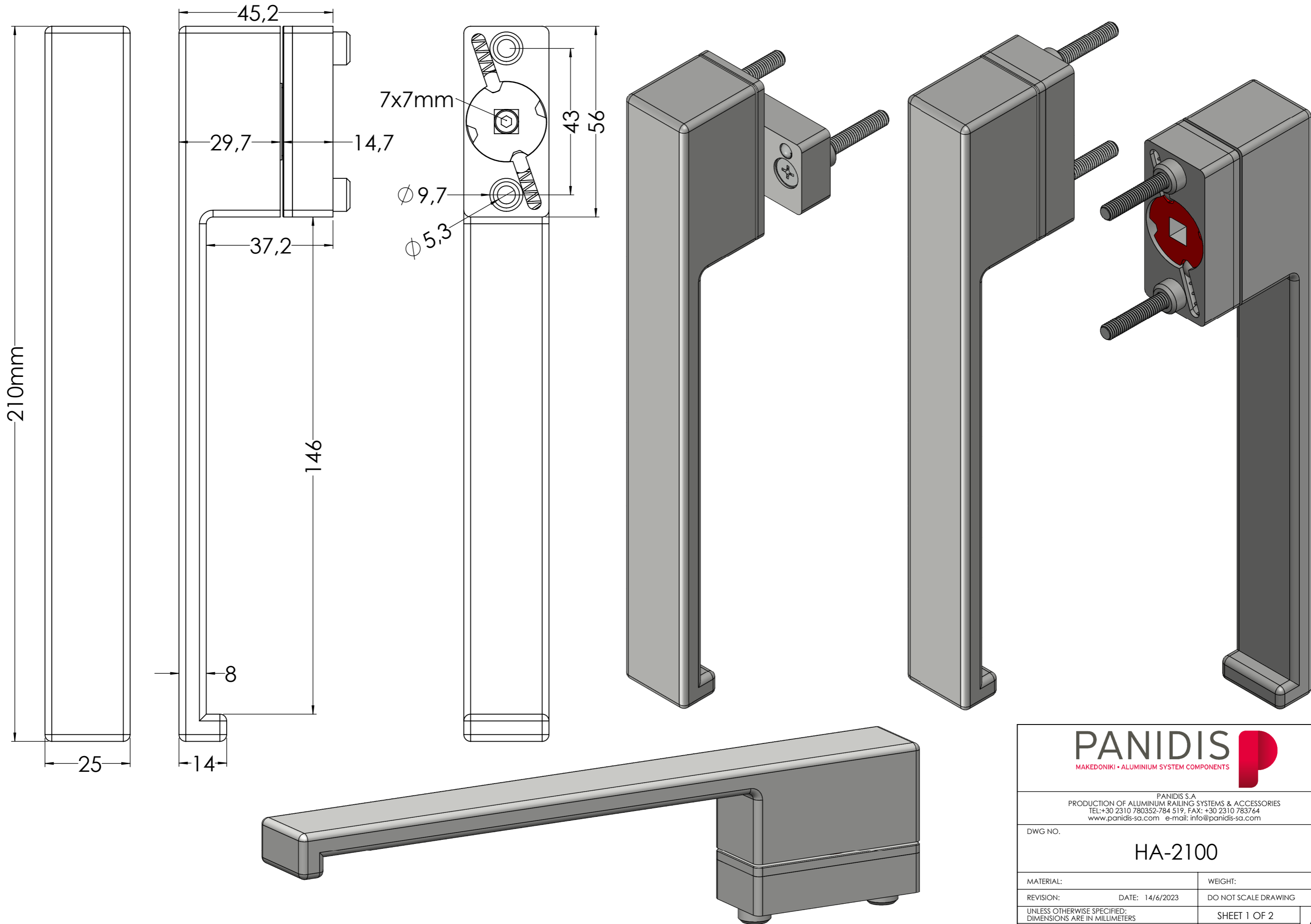

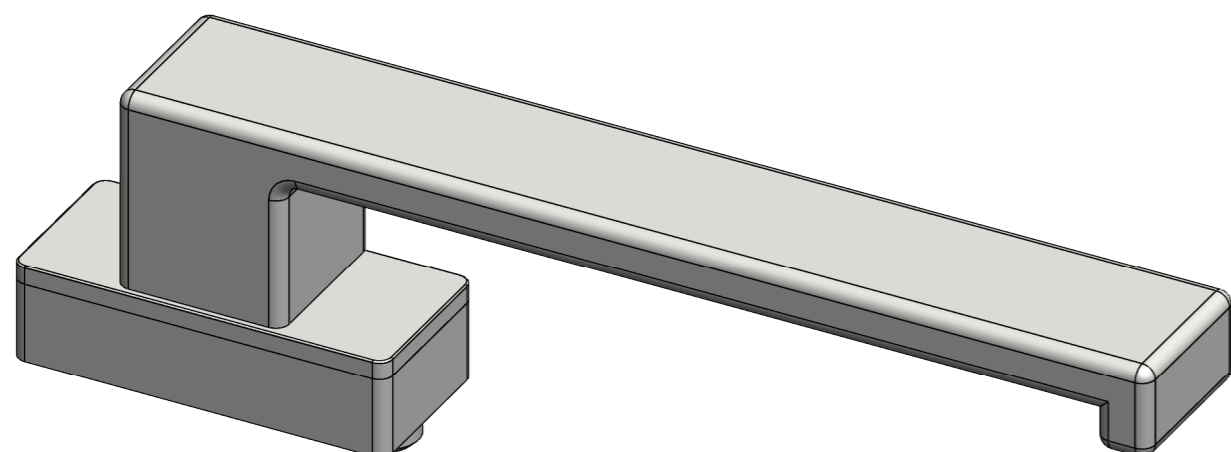
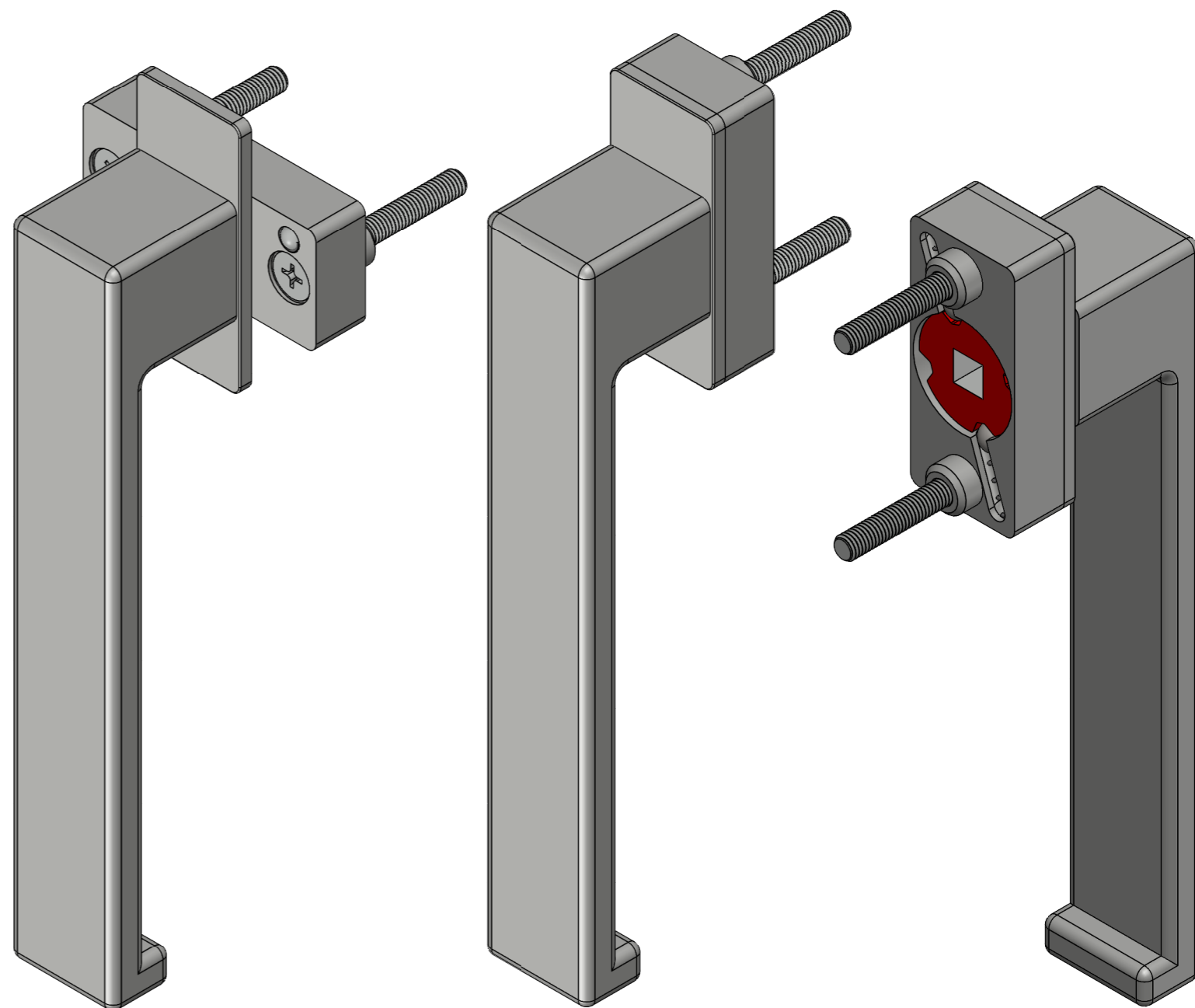
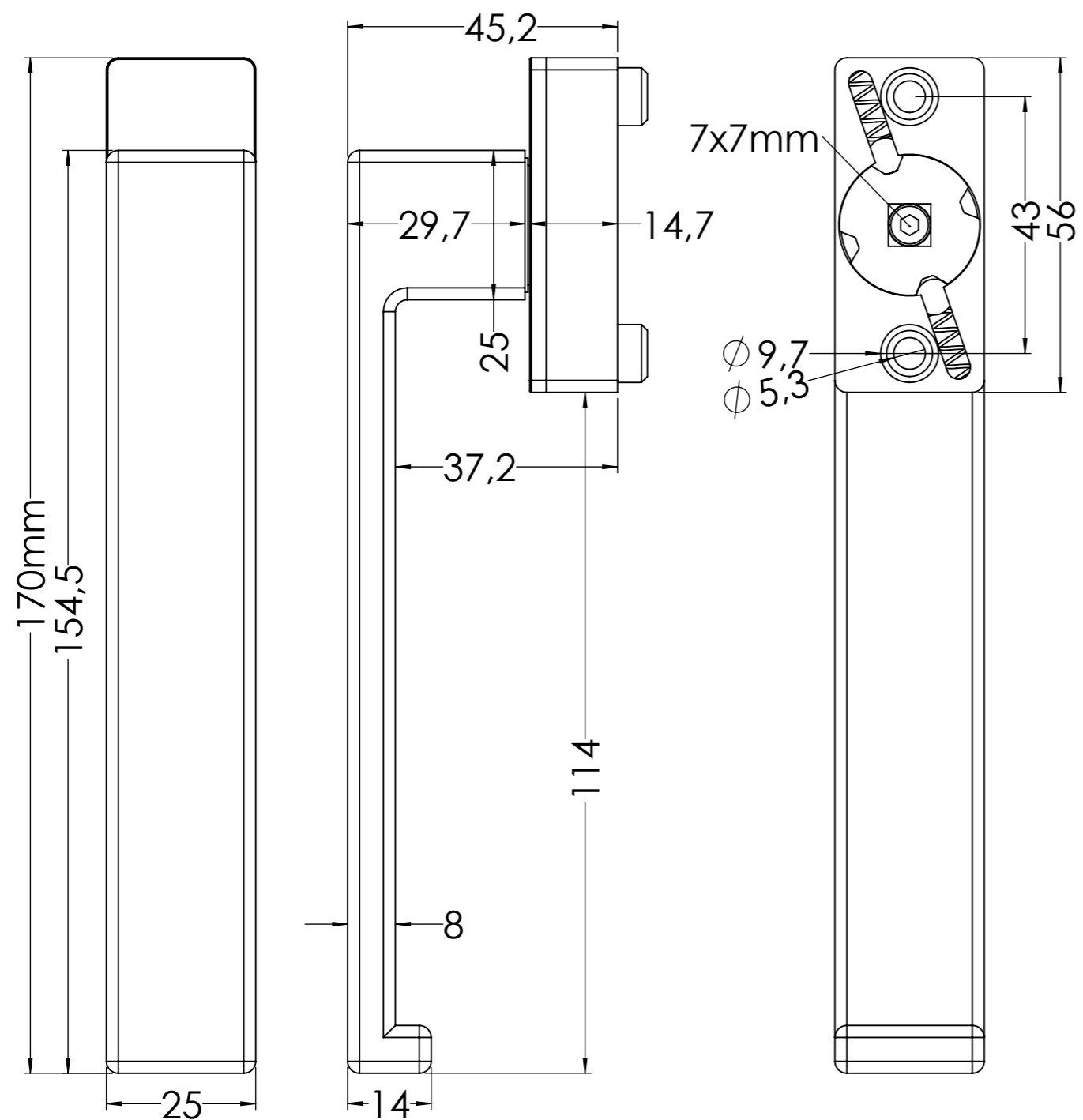


PANIDIS  <small>MAKEDONIKI • ALUMINIUM SYSTEM COMPONENTS</small>		
<small>PANIDIS S.A. PRODUCTION OF ALUMINIUM RAILING SYSTEMS & ACCESSORIES TEL: +30 2310 780352-784 519, FAX: +30 2310 783764 www.panidis-sa.com e-mail: info@panidis-sa.com</small>		
DWG NO. HA-1700		
MATERIAL:	DATE: 14/6/2023	WEIGHT:
REVISION:	DO NOT SCALE DRAWING	
UNLESS OTHERWISE SPECIFIED: DIMENSIONS ARE IN MILLIMETERS		SHEET 1 OF 2
TOLERANCES:	LINEAR: ANGULAR:	SCALE: 1:1



PANIDIS  <small>MAKEDONIKI • ALUMINIUM SYSTEM COMPONENTS</small>		
<small>PANIDIS S.A. PRODUCTION OF ALUMINIUM RAILING SYSTEMS & ACCESSORIES TEL: +30 2310 780352-784 519, FAX: +30 2310 783764 www.panidis-sa.com e-mail: info@panidis-sa.com</small>		
DWG NO. <h2 style="margin: 0;">HA-2100</h2>		
MATERIAL:	DATE: 14/6/2023	WEIGHT:
REVISION:	DO NOT SCALE DRAWING	
UNLESS OTHERWISE SPECIFIED: DIMENSIONS ARE IN MILLIMETERS		SHEET 1 OF 2
TOLERANCES:	LINEAR: ANGULAR:	SCALE: 1:1

A3



PANIDIS 
 MAKEDONIKI • ALUMINIUM SYSTEM COMPONENTS

PANIDIS S.A.
 PRODUCTION OF ALUMINIUM RAILING SYSTEMS & ACCESSORIES
 TEL: +30 2310 780352-784 519, FAX: +30 2310 783764
 www.panidis-sa.com e-mail: info@panidis-sa.com

DWG NO.

HA-1705

MATERIAL:

WEIGHT:

REVISION:

DATE: 14/6/2023

DO NOT SCALE DRAWING

UNLESS OTHERWISE SPECIFIED:
 DIMENSIONS ARE IN MILLIMETERS

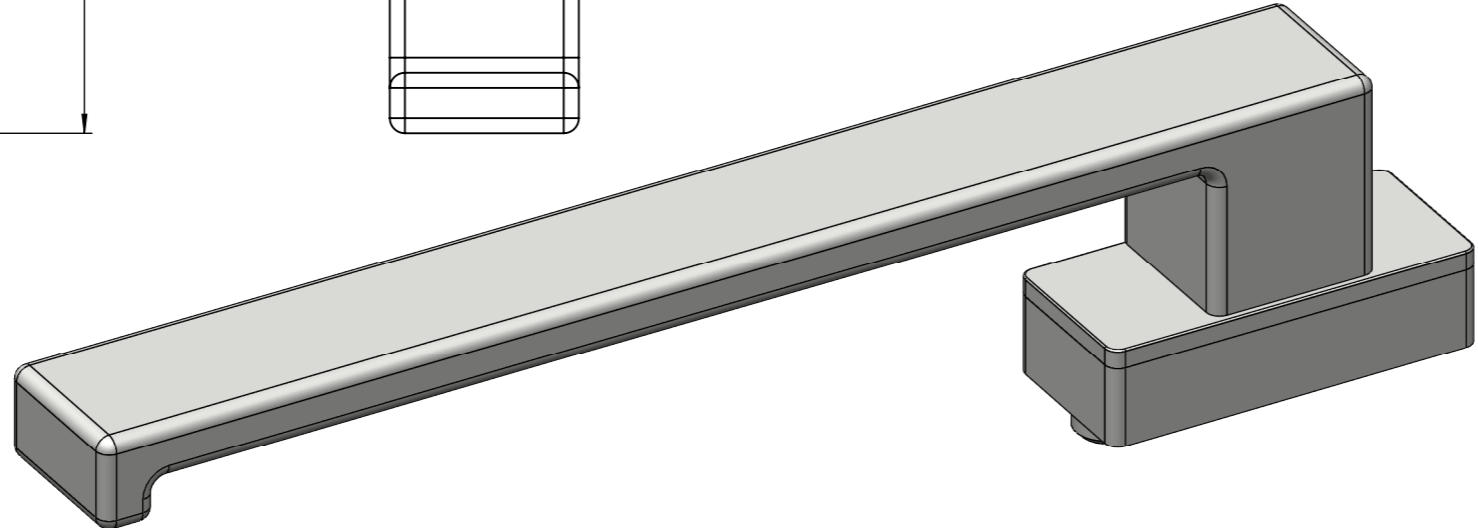
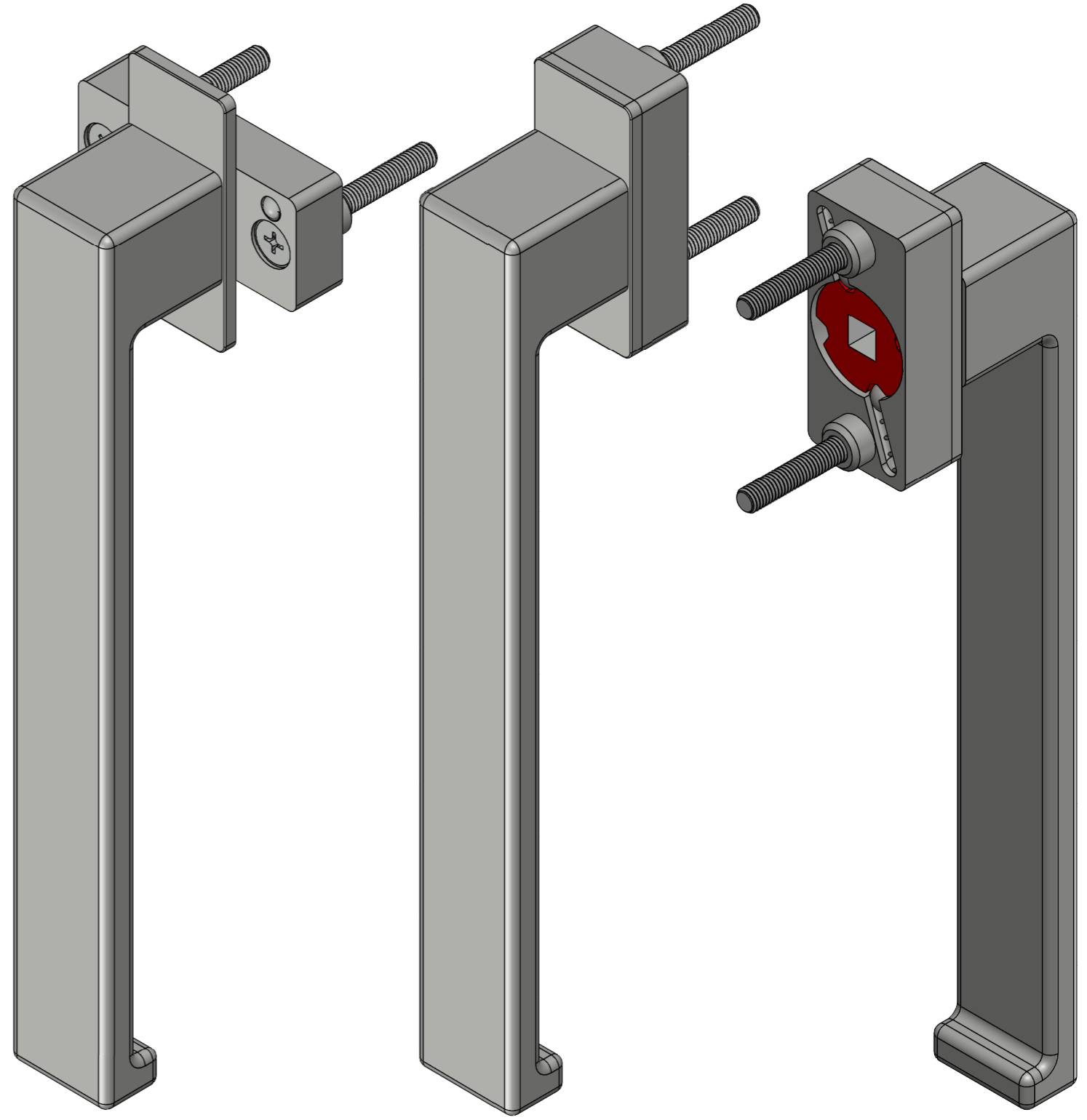
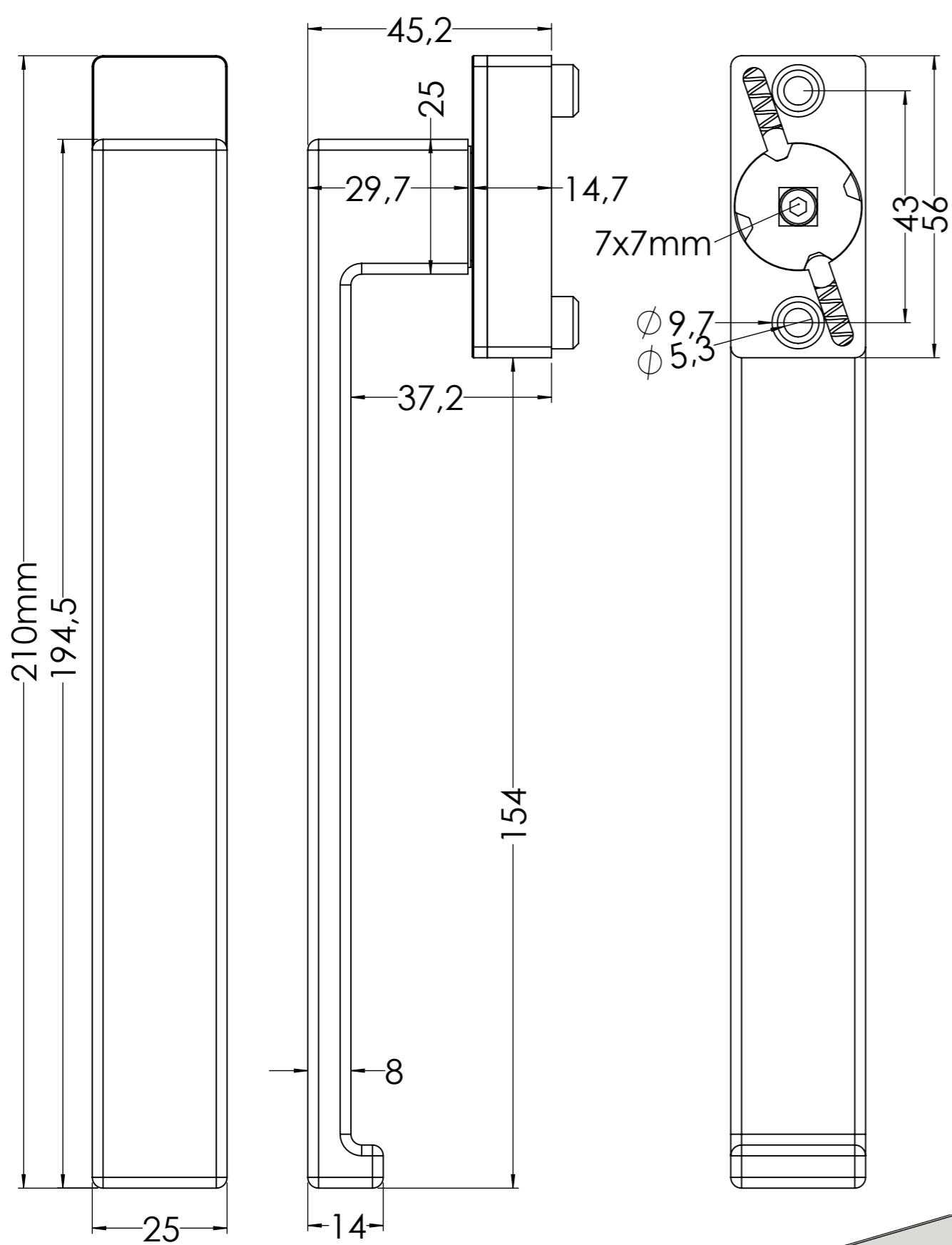
SHEET 1 OF 2

TOLERANCES:

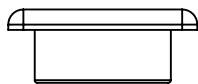
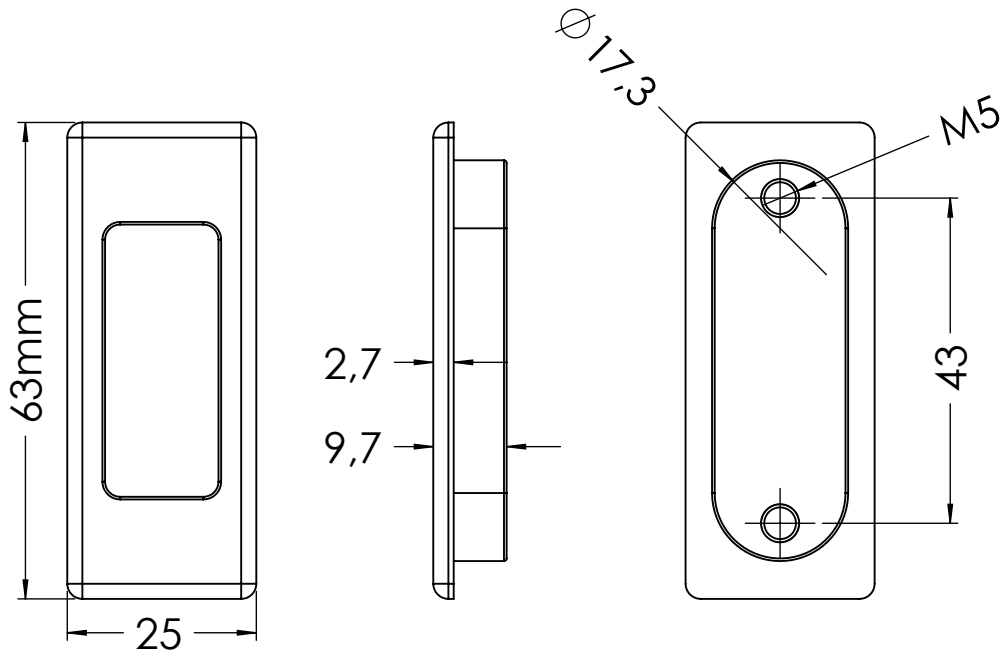
LINEAR:
 ANGULAR:

SCALE: 1:1

A3



PANIDIS MAKEDONIKI • ALUMINIUM SYSTEM COMPONENTS		
PANIDIS S.A. PRODUCTION OF ALUMINIUM RAILING SYSTEMS & ACCESSORIES TEL: +30 2310 780352-784 519, FAX: +30 2310 783764 www.panidis-sa.com e-mail: info@panidis-sa.com		
DWG NO. HA-2105		
MATERIAL:	DATE: 14/6/2023	WEIGHT:
REVISION:	DO NOT SCALE DRAWING	
UNLESS OTHERWISE SPECIFIED: DIMENSIONS ARE IN MILLIMETERS		SHEET 1 OF 2
TOLERANCES:	LINEAR: ANGULAR:	SCALE: 1:1

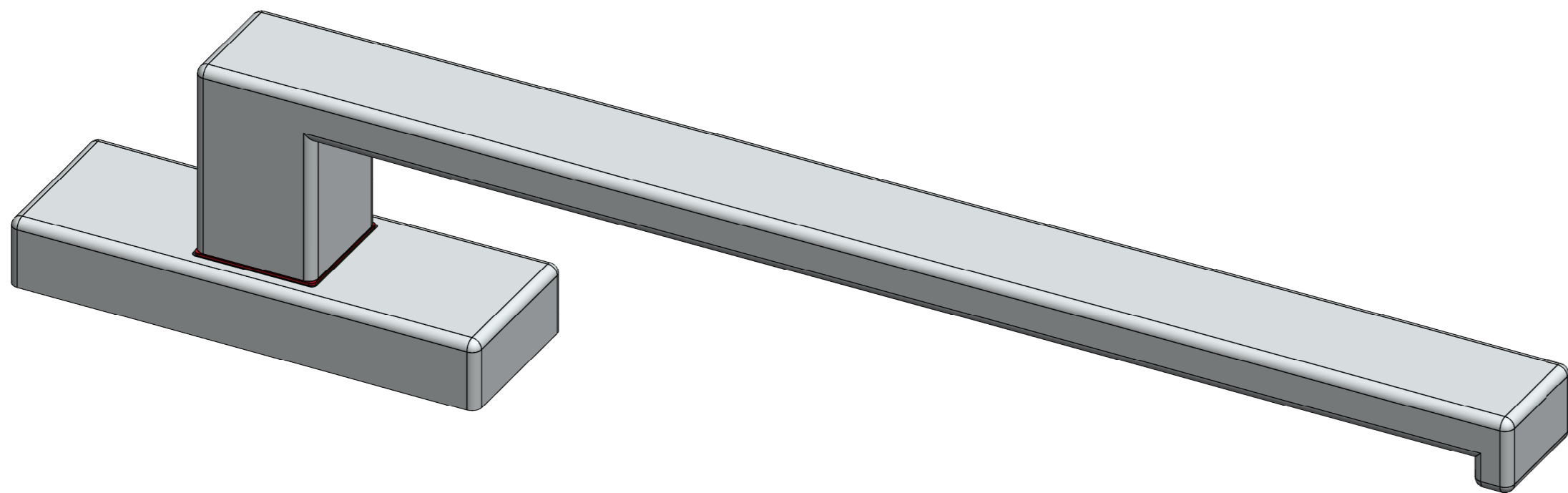
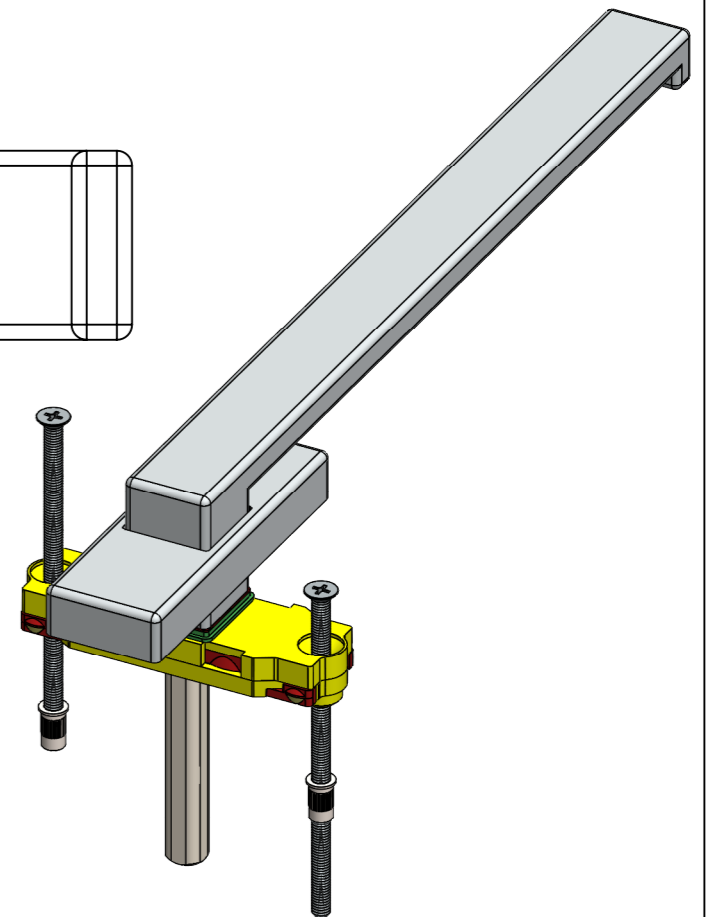
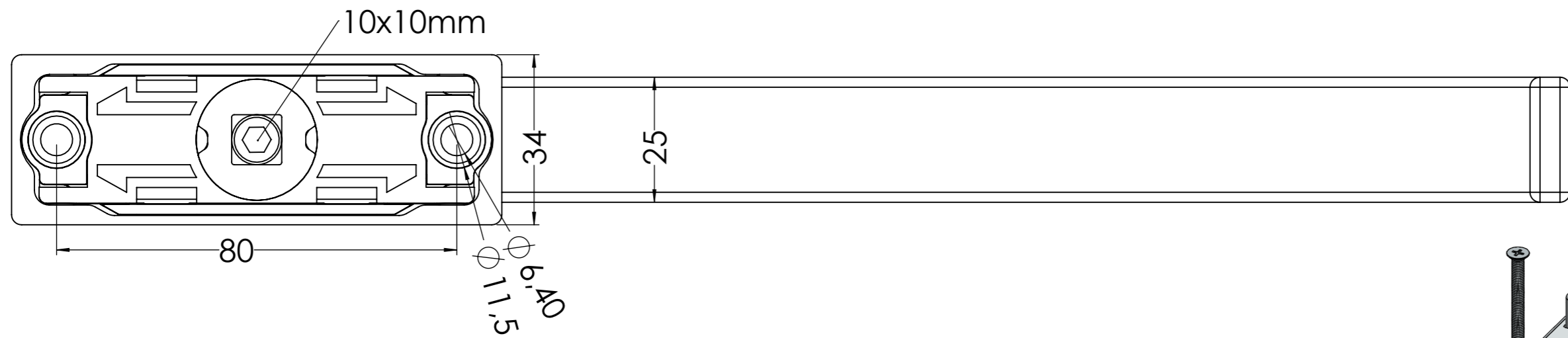
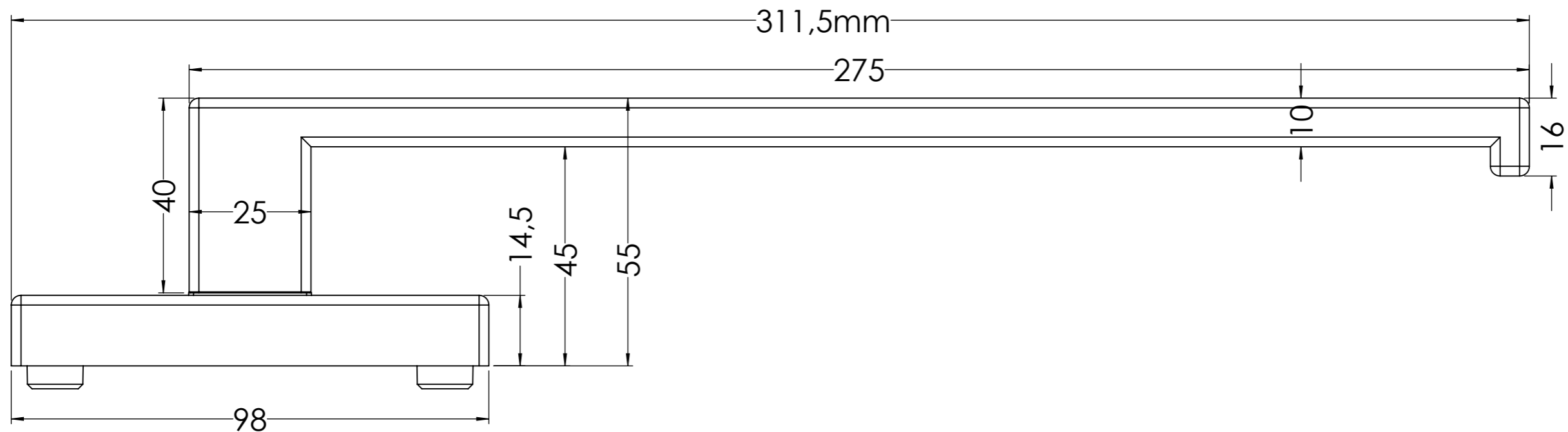


PANIDIS 
 MAKEDONIKI • ALUMINIUM SYSTEM COMPONENTS

PANIDIS S.A.
 PRODUCTION OF ALUMINIUM RAILING SYSTEMS & ACCESSORIES
 TEL:+30 2310 780352-784 519, FAX: +30 2310 783764
 www.panidis-sa.com e-mail: info@panidis-sa.com

DWG NO. **HA-50 Technical sheet**

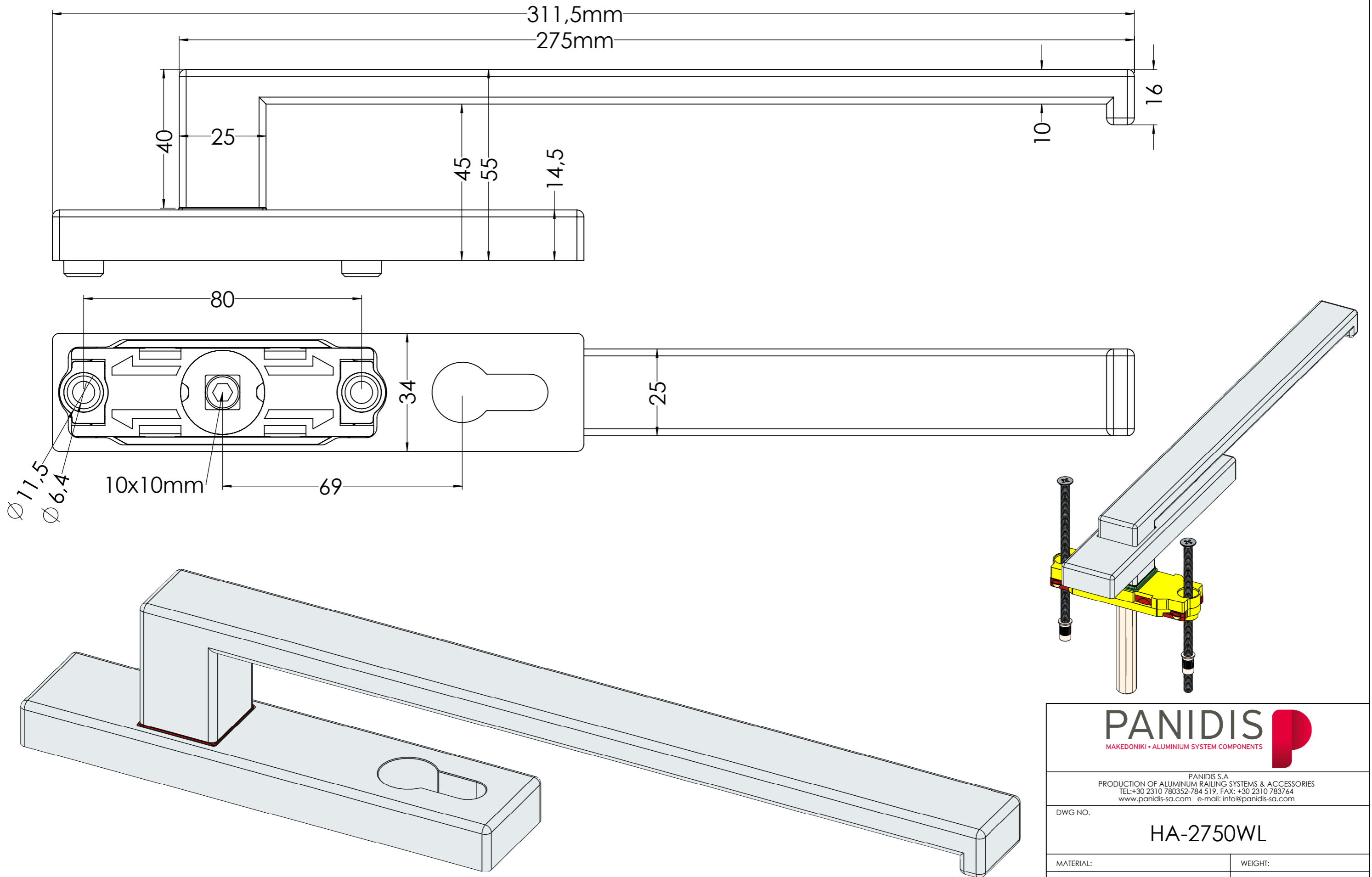
MATERIAL:	WEIGHT:
REVISION:	DATE: 11/4/2023
UNLESS OTHERWISE SPECIFIED: DIMENSIONS ARE IN MILLIMETERS	DO NOT SCALE DRAWING
TOLERANCES:	LINEAR: ANGULAR:
	SHEET 1 OF 1
	SCALE:1:1
	A4




PANIDIS 
 MAKEDONIKI • ALUMINIUM SYSTEM COMPONENTS

PANIDIS S.A.
 PRODUCTION OF ALUMINIUM RAILING SYSTEMS & ACCESSORIES
 TEL: +30 2310 780352-784 519, FAX: +30 2310 783764
 www.panidis-sa.com e-mail: info@panidis-sa.com

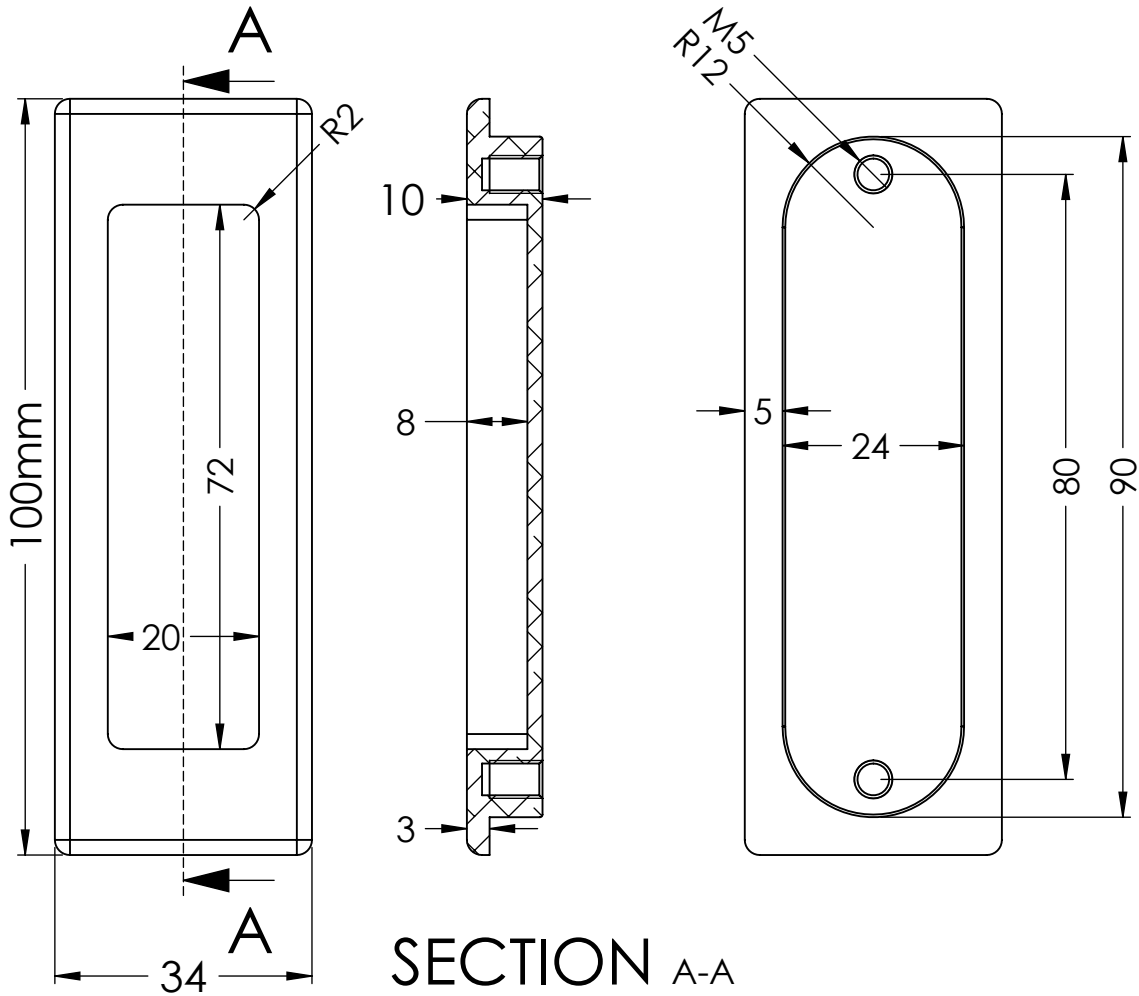
DWG NO.		HA-2750	
MATERIAL:	DATE: 27/7/2023	WEIGHT:	DO NOT SCALE DRAWING
UNLESS OTHERWISE SPECIFIED: DIMENSIONS ARE IN MILLIMETERS		SHEET 1 OF 2	
TOLERANCES:	LINEAR: ANGULAR:	SCALE: 1:1	A3



Copyright Panidis SA. All rights reserved.

 <small>MAKEDONIKI • ALUMINIUM SYSTEM COMPONENTS</small>		
<small>PANIDIS S.A.</small> <small>PRODUCTION OF ALUMINIUM RAILING SYSTEMS & ACCESSORIES</small> <small>TEL: +30 2310 780352-784 519, FAX: +30 2310 783764</small> <small>www.panidis-sa.com e-mail: info@panidis-sa.com</small>		
DWG NO.		
HA-2750WL		
MATERIAL:	DATE: 11/7/2023	WEIGHT:
REVISION:	DO NOT SCALE DRAWING	
UNLESS OTHERWISE SPECIFIED: DIMENSIONS ARE IN MILLIMETERS		SHEET 1 OF 2
TOLERANCES:	LINEAR: ANGULAR:	SCALE: 1:1

A3



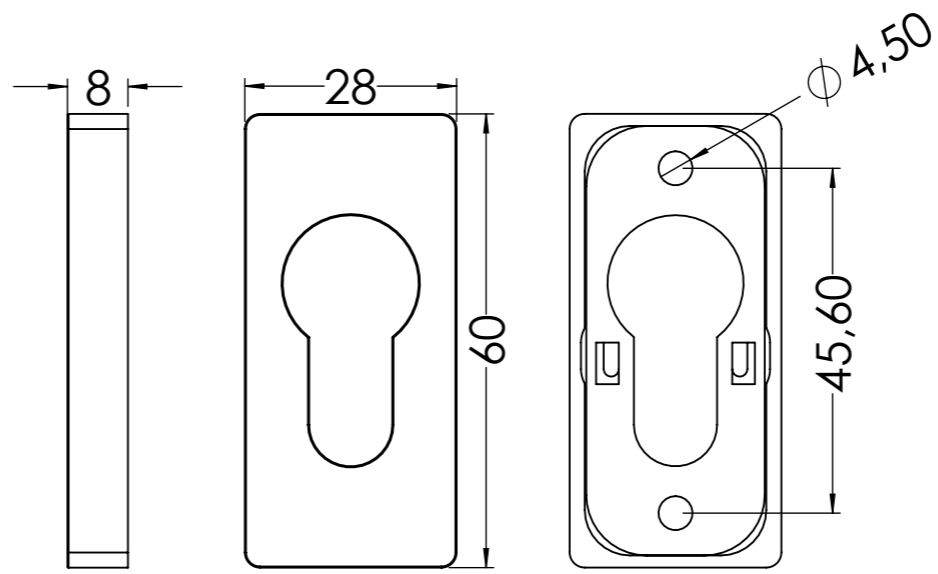
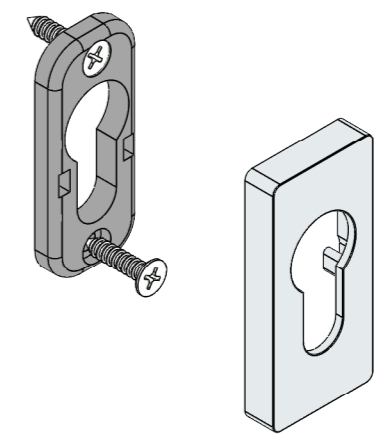
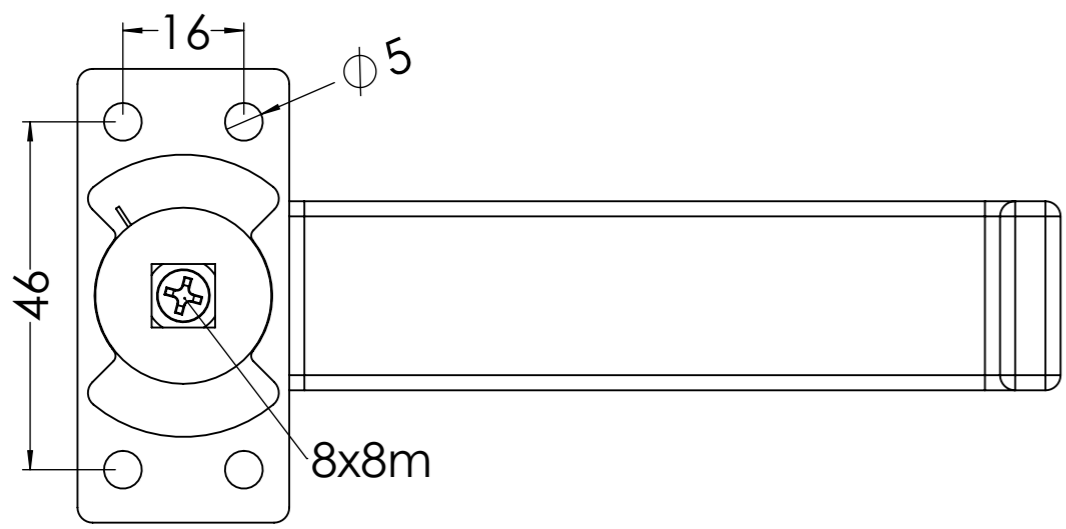
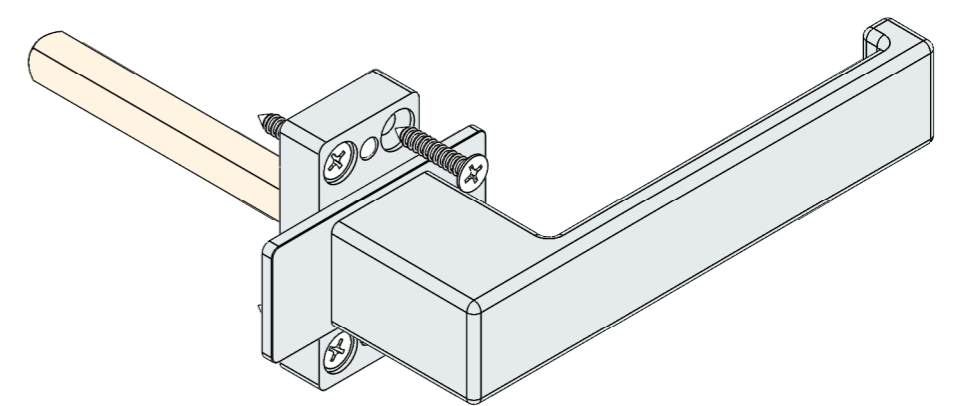
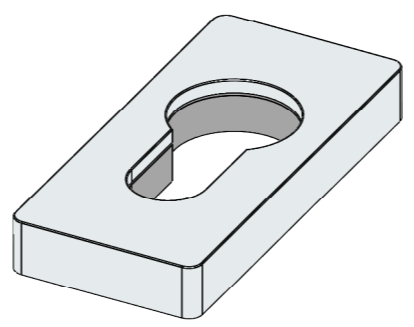
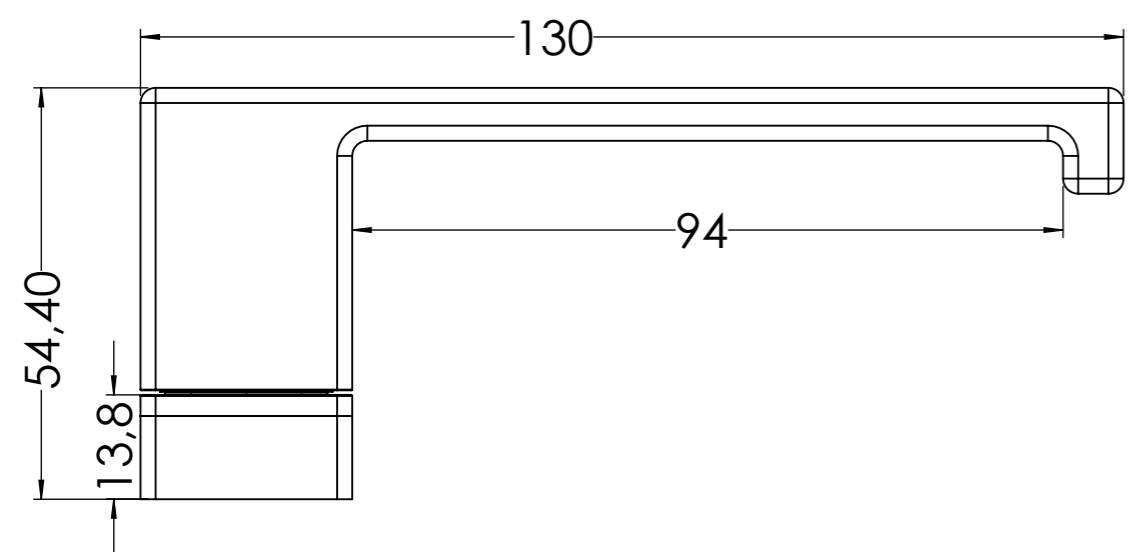
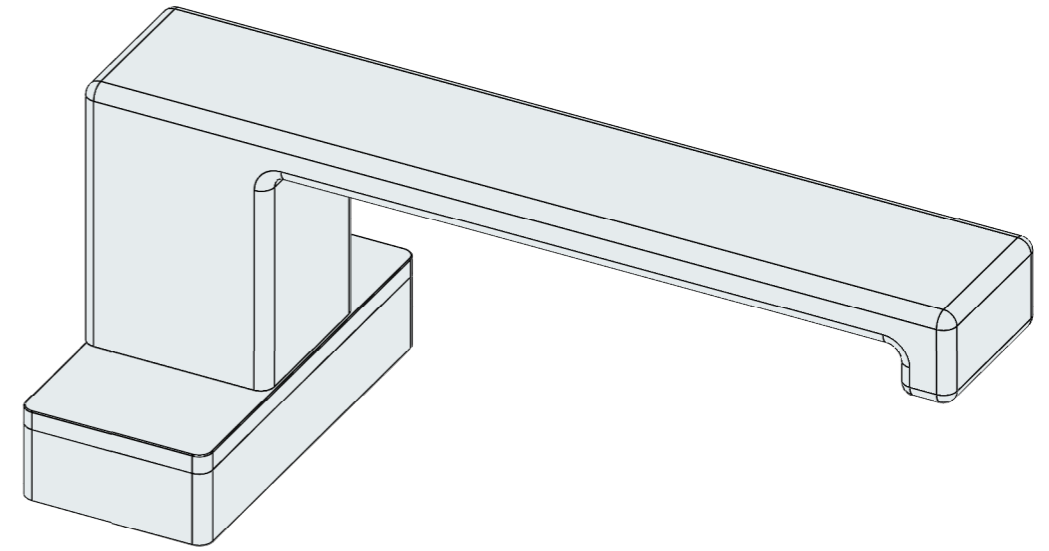
SECTION A-A



PANIDIS S.A
 PRODUCTION OF ALUMINIUM RAILING SYSTEMS & ACCESSORIES
 TEL:+30 2310 780352-784 519, FAX: +30 2310 783764
 www.panidis-sa.com e-mail: info@panidis-sa.com

DWG NO. HA-100 Technical sheet

MATERIAL:		WEIGHT:	
REVISION:	DATE: 11/4/2023	DO NOT SCALE DRAWING	
UNLESS OTHERWISE SPECIFIED: DIMENSIONS ARE IN MILLIMETERS		SHEET 1 OF 1	
TOLERANCES:	LINEAR: ANGULAR:	SCALE:1:1	A4



PANIDIS
 MAKEDONIKI • ALUMINIUM SYSTEM COMPONENTS

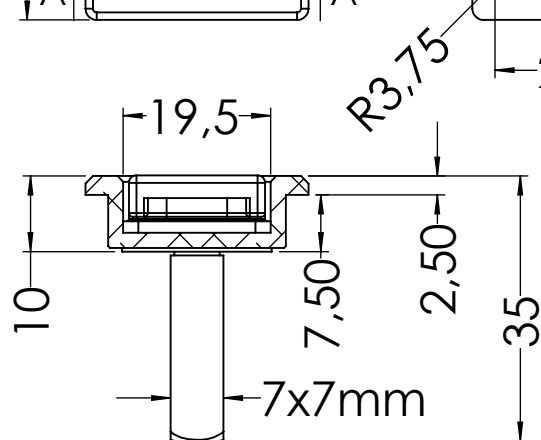
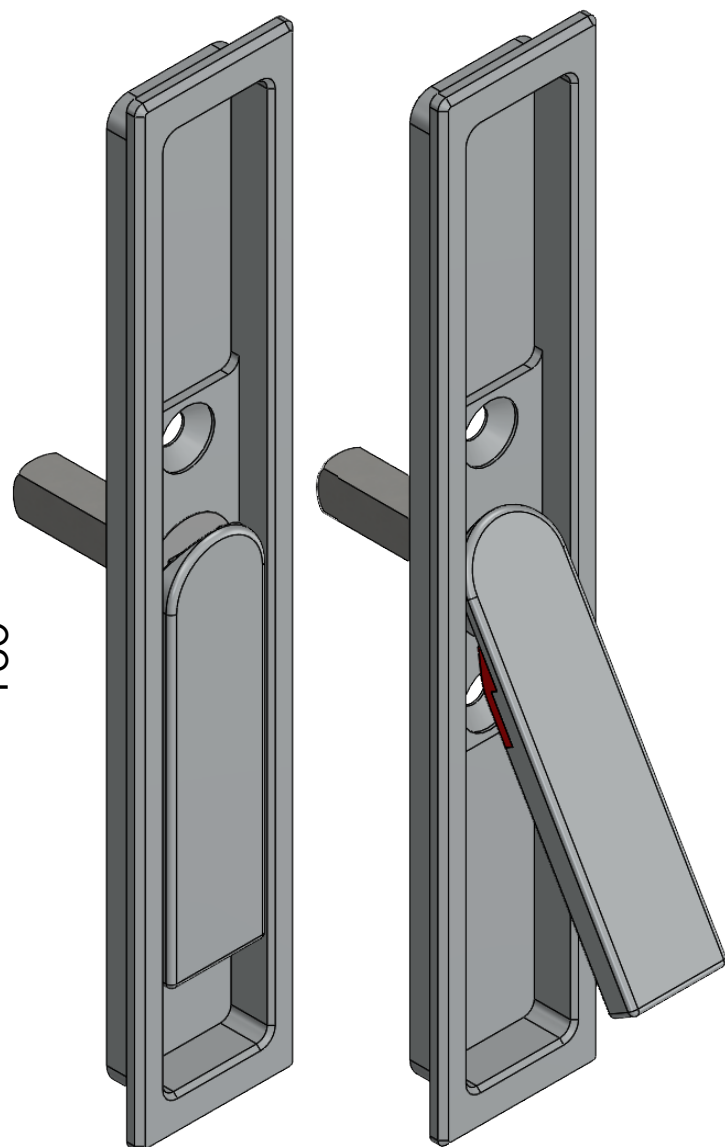
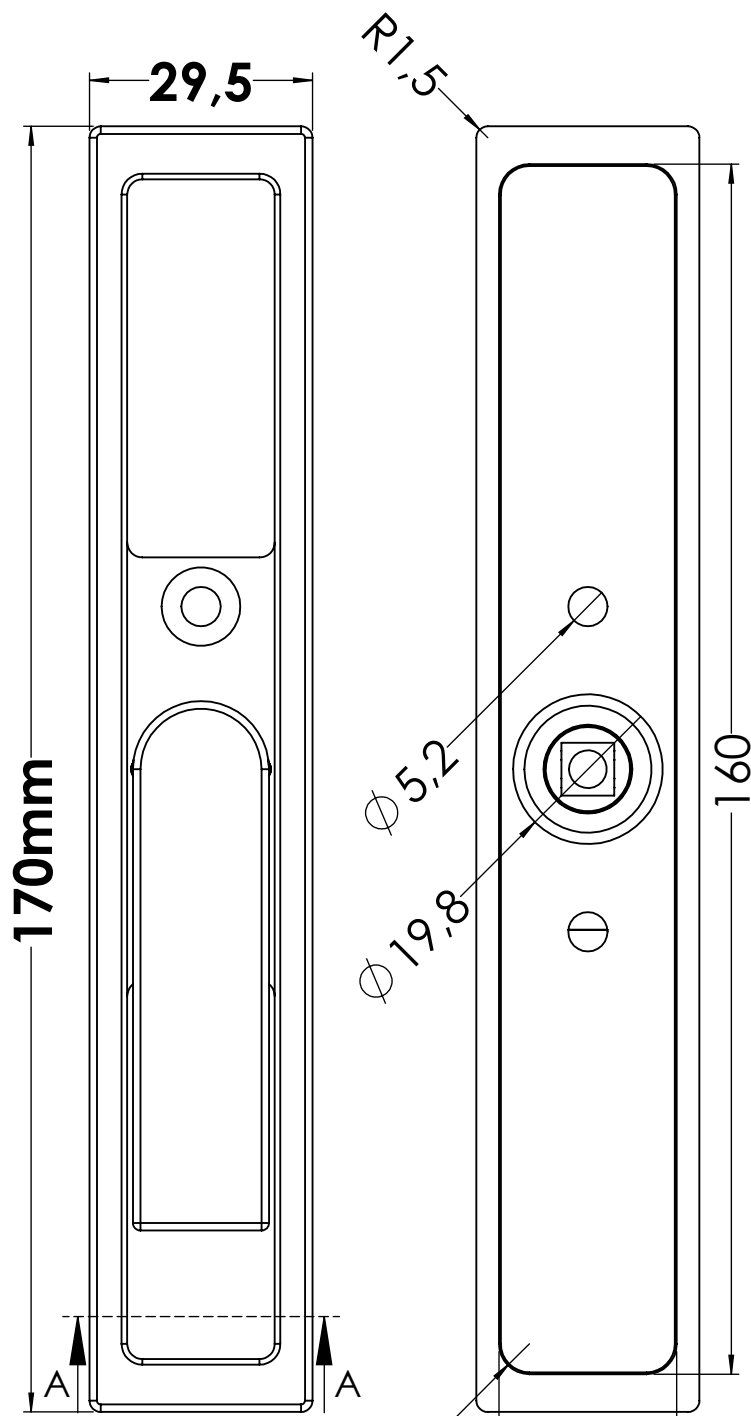
PANIDIS S.A.
 PRODUCTION OF ALUMINIUM RAILING SYSTEMS & ACCESSORIES
 TEL: +30 2310 780352-784 519, FAX: +30 2310 783764
 www.panidis-sa.com e-mail: info@panidis-sa.com

DWG NO. **HA-1300** Technical sheet
 with key rosette

MATERIAL:	WEIGHT:
REVISION:	DATE: 27/7/2023
DO NOT SCALE DRAWING	
UNLESS OTHERWISE SPECIFIED: DIMENSIONS ARE IN MILLIMETERS	SHEET 1 OF 2
TOLERANCES: LINEAR: ANGULAR:	SCALE: 1:1

A3

PANIDIS-SA - FDH-50 Technical sheet



SECTION A-A

 <p>PANIDIS ΠΑΡΕΧΟΥΜΕ ΑΛΥΜΙΝΙΟΥ ΣΥΣΤΗΜΑΤΑ ΚΑΙ ΑΝΕΞΑΡΤΗΤΑ</p>		
<p>PANIDIS S.A. PRODUCTION OF ALUMINIUM RAILING SYSTEMS & ACCESSORIES TEL:+30 2310 780352-784 519, FAX: +30 2310 783764 www.panidis-sa.com e-mail: info@panidis-sa.com</p>		
DWG NO.		FDH-50 Technical sheet
MATERIAL:	WEIGHT:	
REVISION:	DATE: 15/4/2022	DO NOT SCALE DRAWING
UNLESS OTHERWISE SPECIFIED: DIMENSIONS ARE IN MILLIMETERS		SHEET 1 OF 1
TOLERANCES:	LINEAR: ANGULAR:	SCALE:1:1
		A4